



US00D489890S

(12) **United States Design Patent**
Gorham, Jr.

(10) **Patent No.:** **US D489,890 S**

(45) **Date of Patent:** **** May 18, 2004**

(54) **SEAT BELT CELL PHONE CADDY**

2001/0035444 A1 * 11/2001 Alis 224/250
2002/0023324 A1 2/2002 Kobayashi
2002/0134804 A1 9/2002 Washington

(76) Inventor: **William Edward Gorham, Jr.**, 13100
Misty Glen La., Fairfax, VA (US) 22033

(**) Term: **14 Years**

FOREIGN PATENT DOCUMENTS

JP 2002337625 A 11/2002

(21) Appl. No.: **29/183,274**

* cited by examiner

(22) Filed: **Jun. 10, 2003**

Primary Examiner—Catherine R. Oliver
(74) *Attorney, Agent, or Firm*—Eric Karich

(51) **LOC (7) Cl.** **03-01**

(52) **U.S. Cl.** **D3/218; D2/639**

(58) **Field of Search** D3/218, 215, 224,
D3/226, 247-249; D2/639, 894, 865, 866;
224/197, 250, 666, 667, 626

(57) **CLAIM**

The ornamental design for a “seat belt cell phone caddy”, as shown and described.

(56) **References Cited**

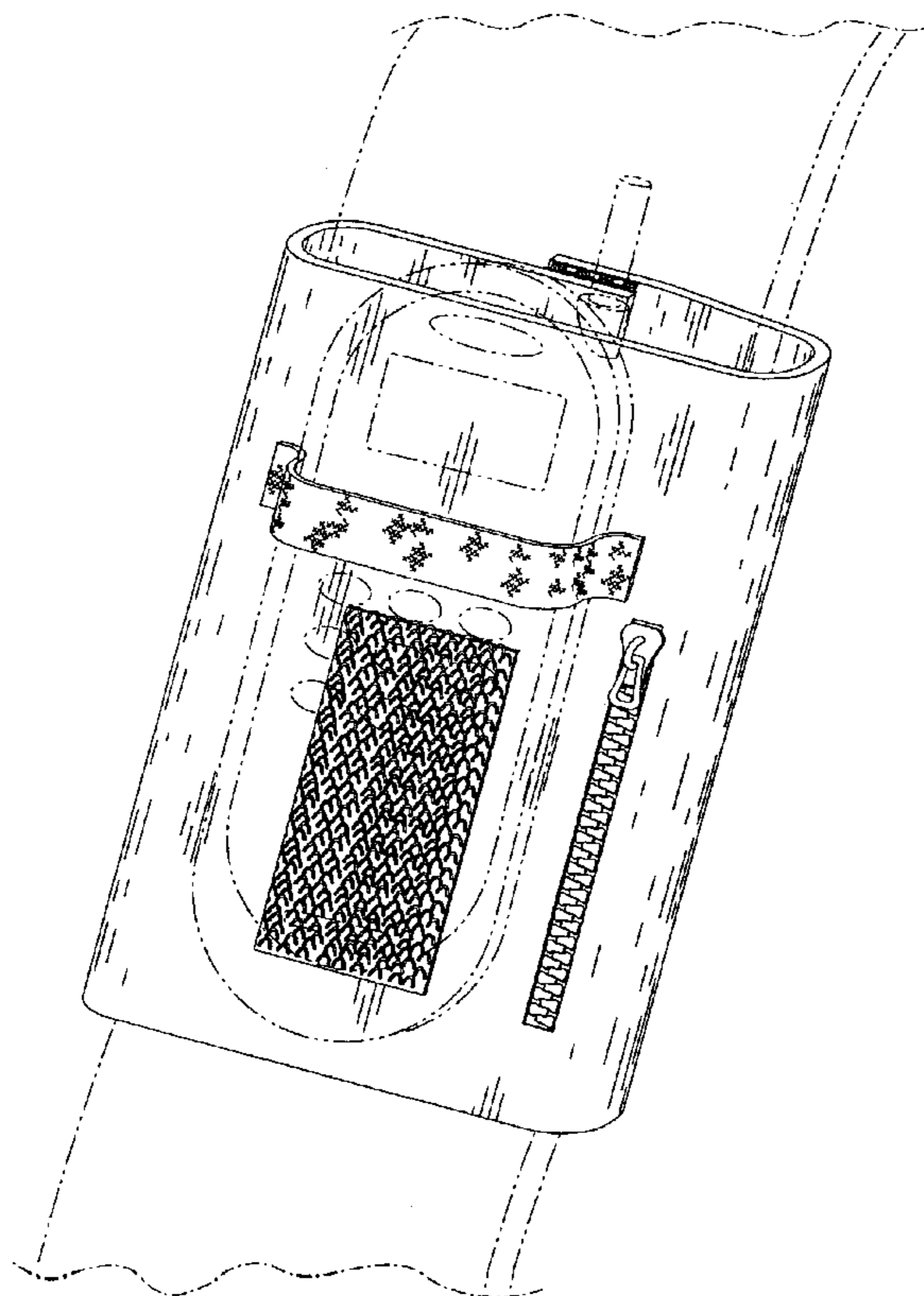
DESCRIPTION

U.S. PATENT DOCUMENTS

4,057,181 A	11/1977	Finnigan	224/29 R
4,699,401 A	10/1987	Saenz	280/808
5,348,347 A	9/1994	Shink	281/31
5,668,869 A	9/1997	Zinno	379/449
5,703,945 A	12/1997	Smith	379/428
5,711,469 A	1/1998	Gormley et al.	224/675
D396,938 S *	8/1998	Bugatti	D2/639
5,915,609 A	6/1999	Diakoulas	224/626
D434,366 S *	11/2000	Eskandry	D12/417
6,206,257 B1	3/2001	Peele et al.	224/197
6,473,302 B1	10/2002	Korycan et al.	361/686
D465,324 S	11/2002	Matthew	D3/226

FIG. 1 is a perspective view of a seat belt cell phone caddy, showing my new design;
FIG. 2 is a front elevational view thereof;
FIG. 3 is a rear elevational view thereof;
FIG. 4 is a left side elevational view thereof
FIG. 5 the right side elevational view thereof;
FIG. 6 is a top plan view thereof; and,
FIG. 7 is a bottom plan view thereof.
The broken line showing of a cell phone and seat belt is for illustrative purposes only and forms no part of the claimed design.

1 Claim, 4 Drawing Sheets



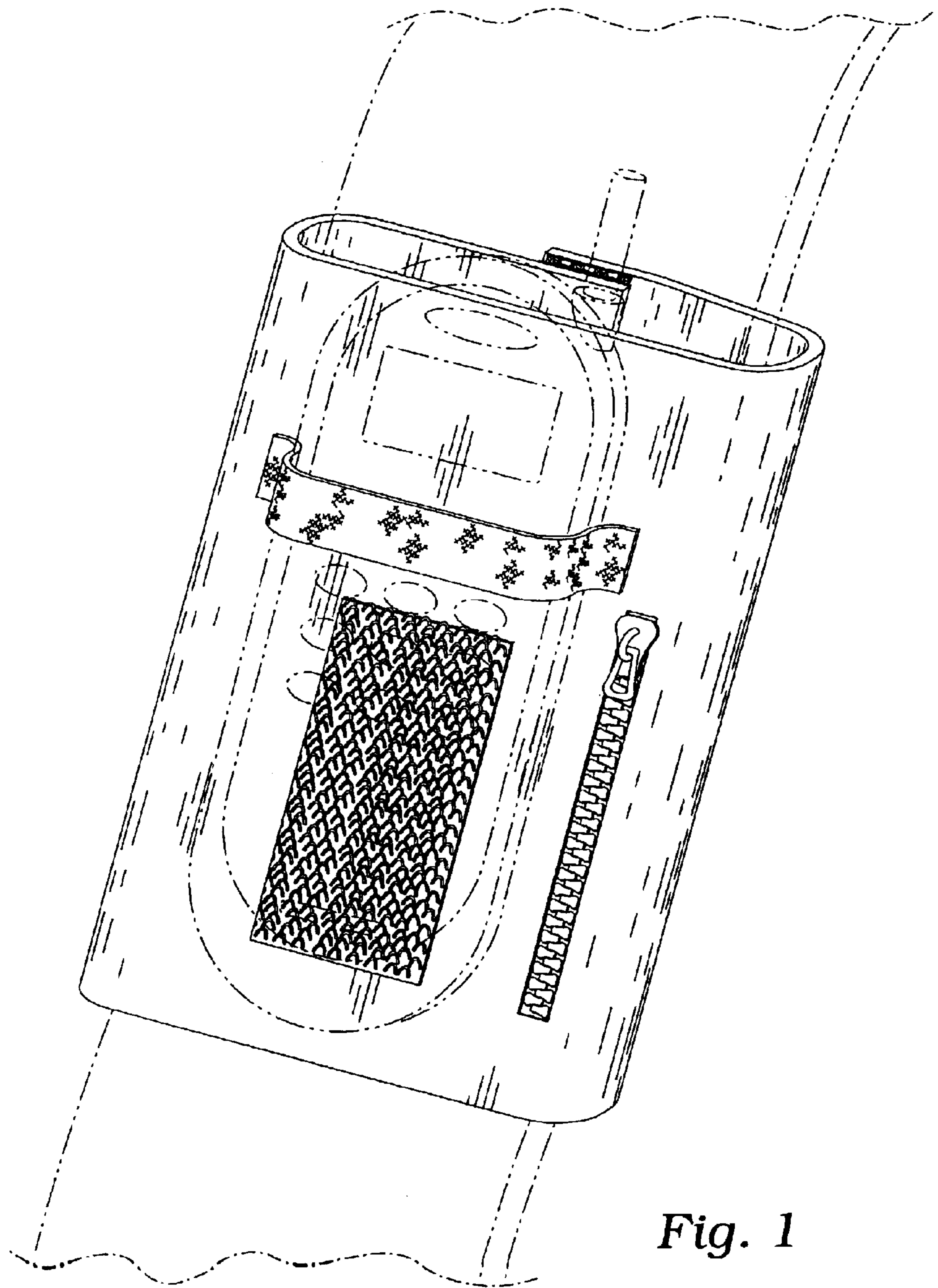


Fig. 1

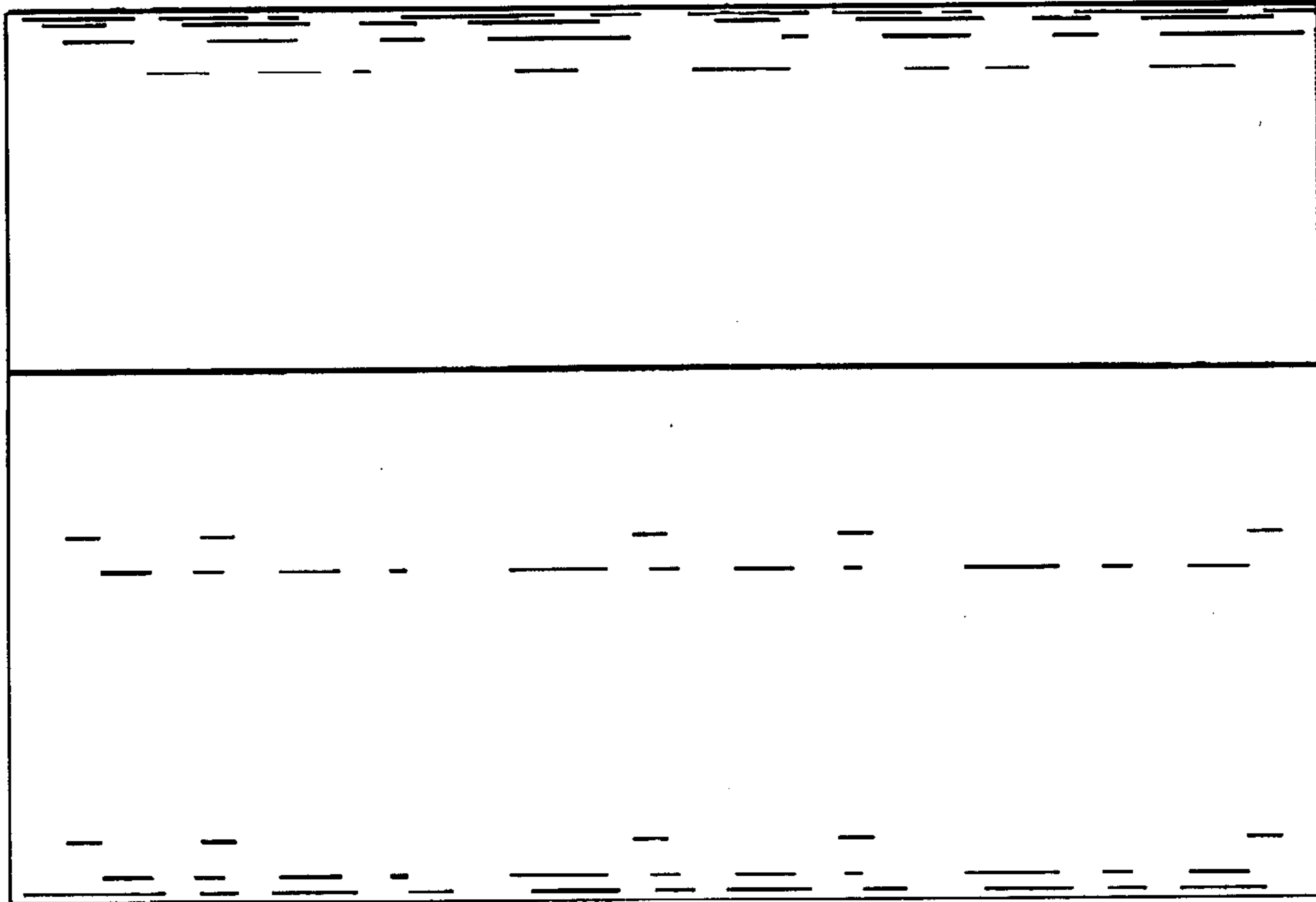


Fig. 3

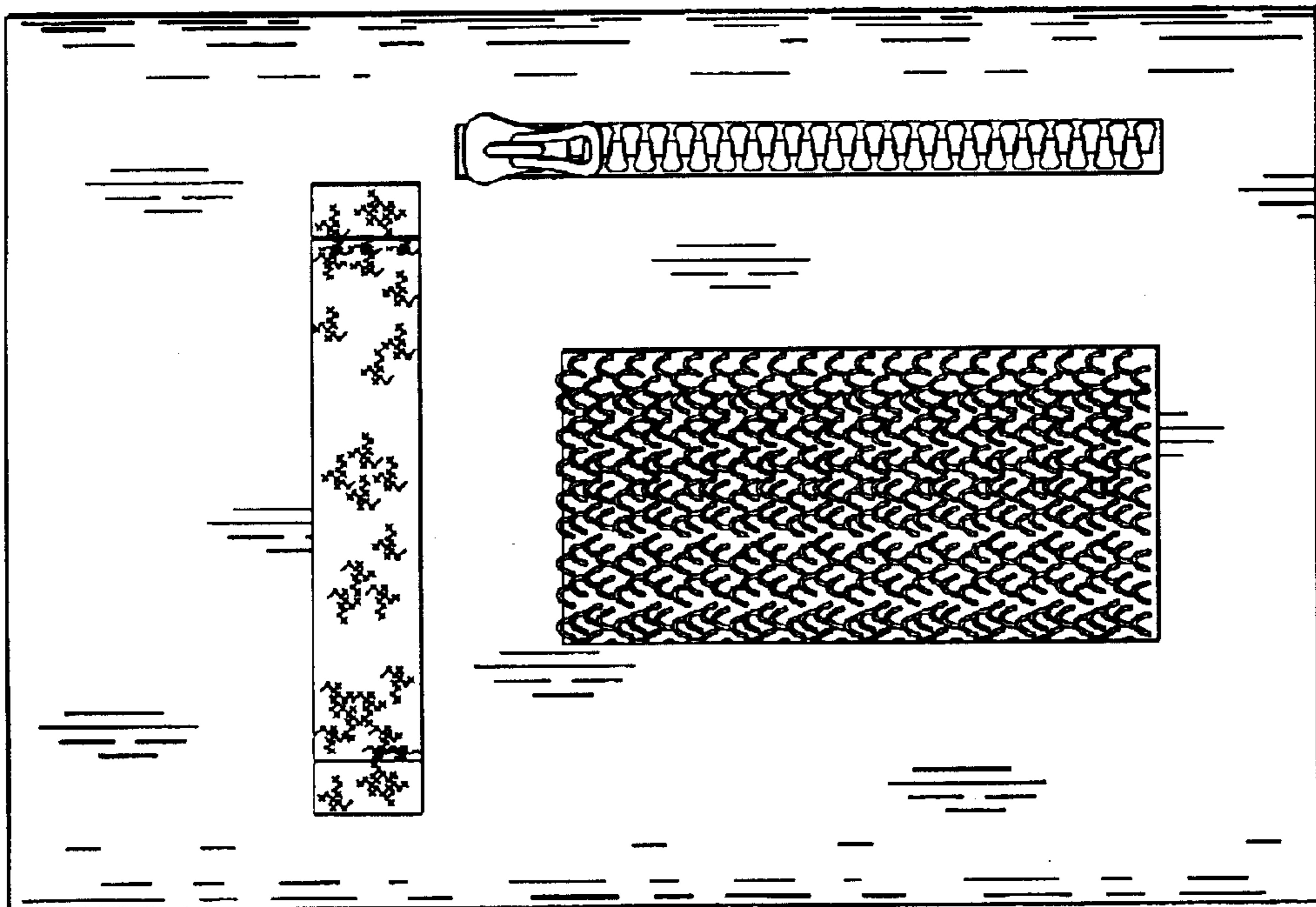


Fig. 2



Fig. 4

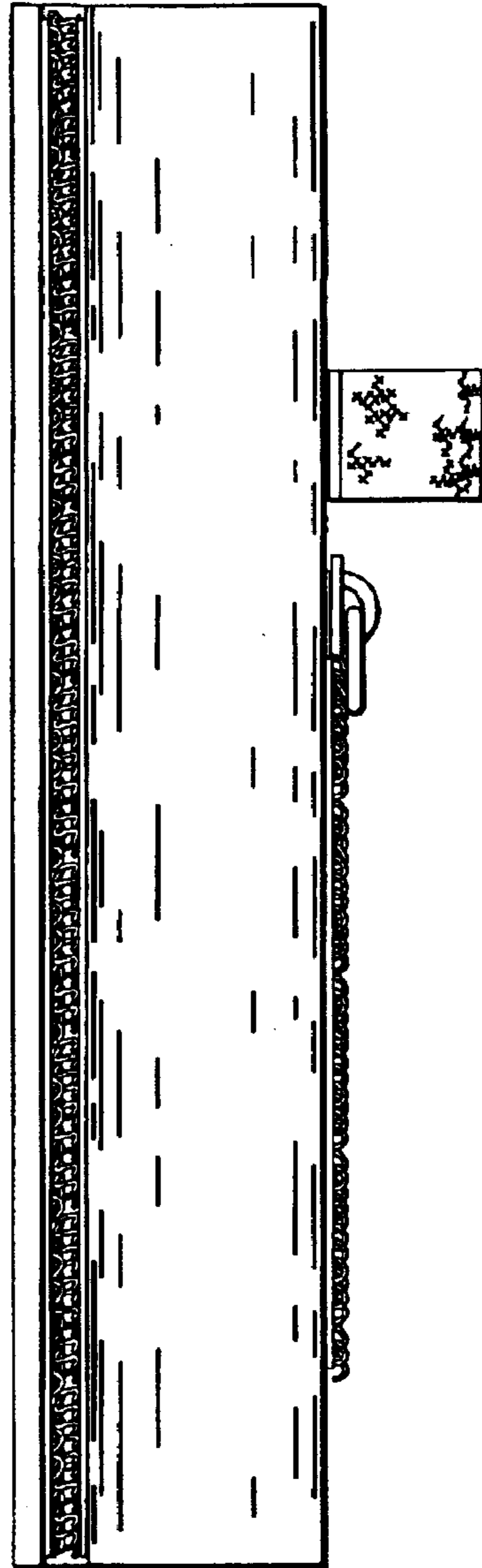


Fig. 5

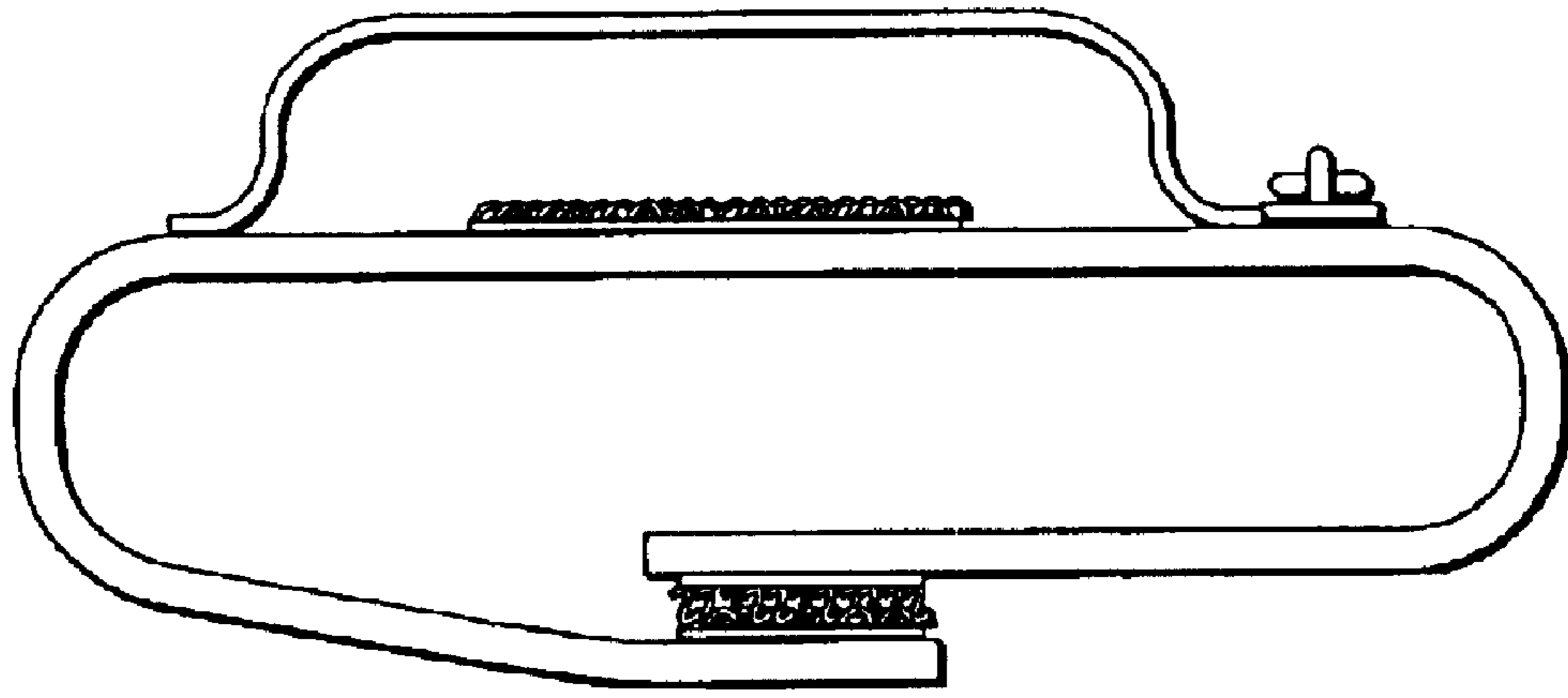


Fig. 6

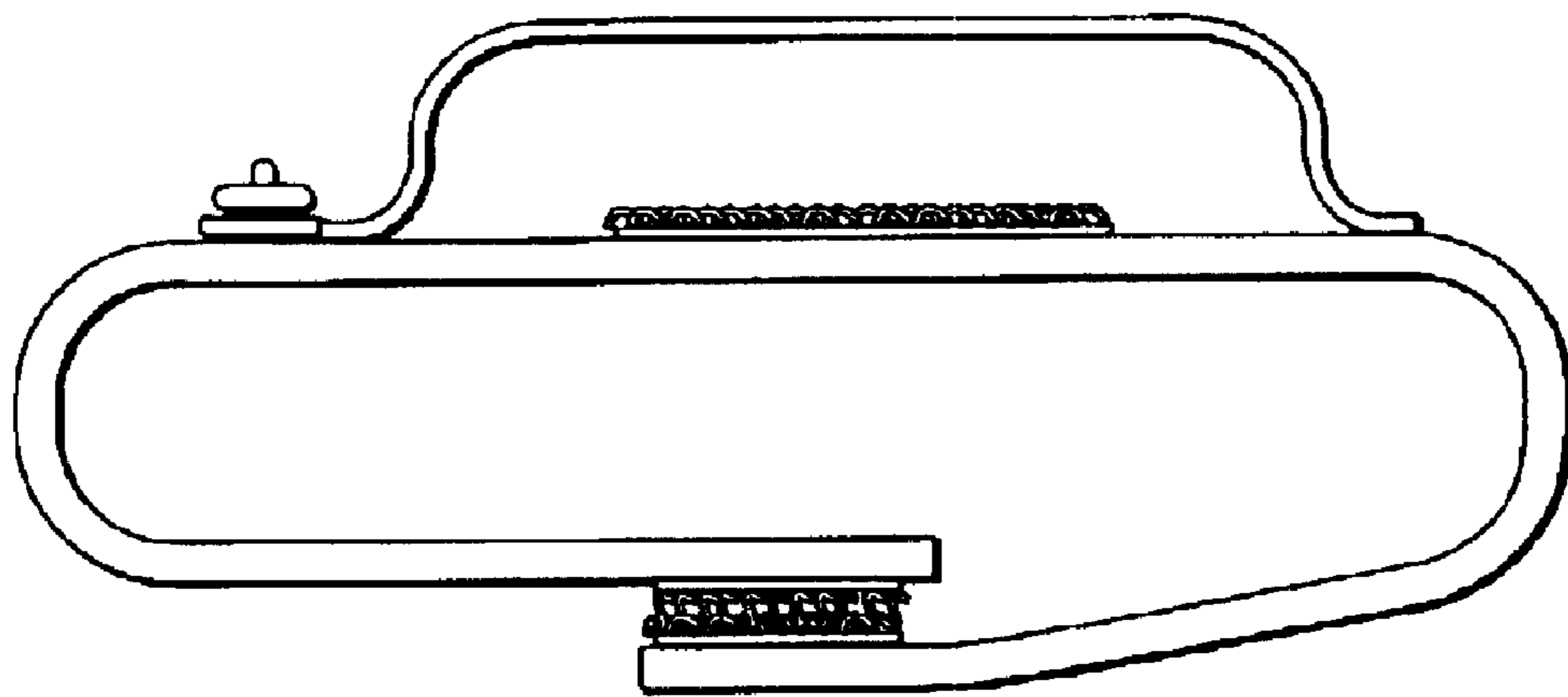


Fig. 7