



US00D489861S

(12) **United States Design Patent**
Sagy et al.

(10) **Patent No.: US D489,861 S**

(45) **Date of Patent: ** May 18, 2004**

(54) **TOP PORTION OF A CONTAINER AND VISCIOUS FLOWABLE FOOD PRODUCT**

(75) Inventors: **Arthur Avner Sagy**, Guttenberg, NJ (US); **Randall William Peters**, Yonkers, NY (US)

(73) Assignee: **Kraft Foods Holdings, Inc.**, Northfield, IL (US)

(**) Term: **14 Years**

(21) Appl. No.: **29/172,111**

(22) Filed: **Dec. 6, 2002**

Related U.S. Application Data

(63) Continuation-in-part of application No. 29/153,915, filed on Jan. 16, 2002.

(51) **LOC (7) Cl.** **01-01**

(52) **U.S. Cl.** **D1/102; D1/130**

(58) **Field of Search** D1/100-130, 199; 426/34-43, 104, 115, 130, 249, 330, 330.2, 383, 583; D7/562, 584; D9/337

(56) **References Cited**

U.S. PATENT DOCUMENTS

- 3,765,909 A * 10/1973 Moline 426/383
- 4,884,717 A * 12/1989 Bussard et al. 426/115 X
- 6,068,865 A * 5/2000 Lee et al. 426/43
- 6,099,880 A * 8/2000 Klacik et al. 426/249

OTHER PUBLICATIONS

Trans Global Trading™ Sugar Free Starlight Mints, © 1999, shown and described on pp. 1 and 2 from:<URL: http://transglobaltrading.com/item.cfm?SupplierID=5&ProductID=426, retrieved from the Internet Oct. 11, 2002.*

The Quilt Square Foundation Piecing Patterns, Peppermint Candy quilt pattern, © 1997, shown and described on pp. 2 and 3 from:<URL: http://www.members.aol.com/heart2hnd/Dec.html, retrieved from the Internet on Oct. 11, 2002.*

Dairy Foods Dec. 2001 magazine, "Squeezing Swirls" article by Donna Berry on p. 18.*

* cited by examiner

Primary Examiner—Alan P. Douglas

Assistant Examiner—Linda Brooks

(74) *Attorney, Agent, or Firm*—Stites & Harbison PLLC; Marvin Petry

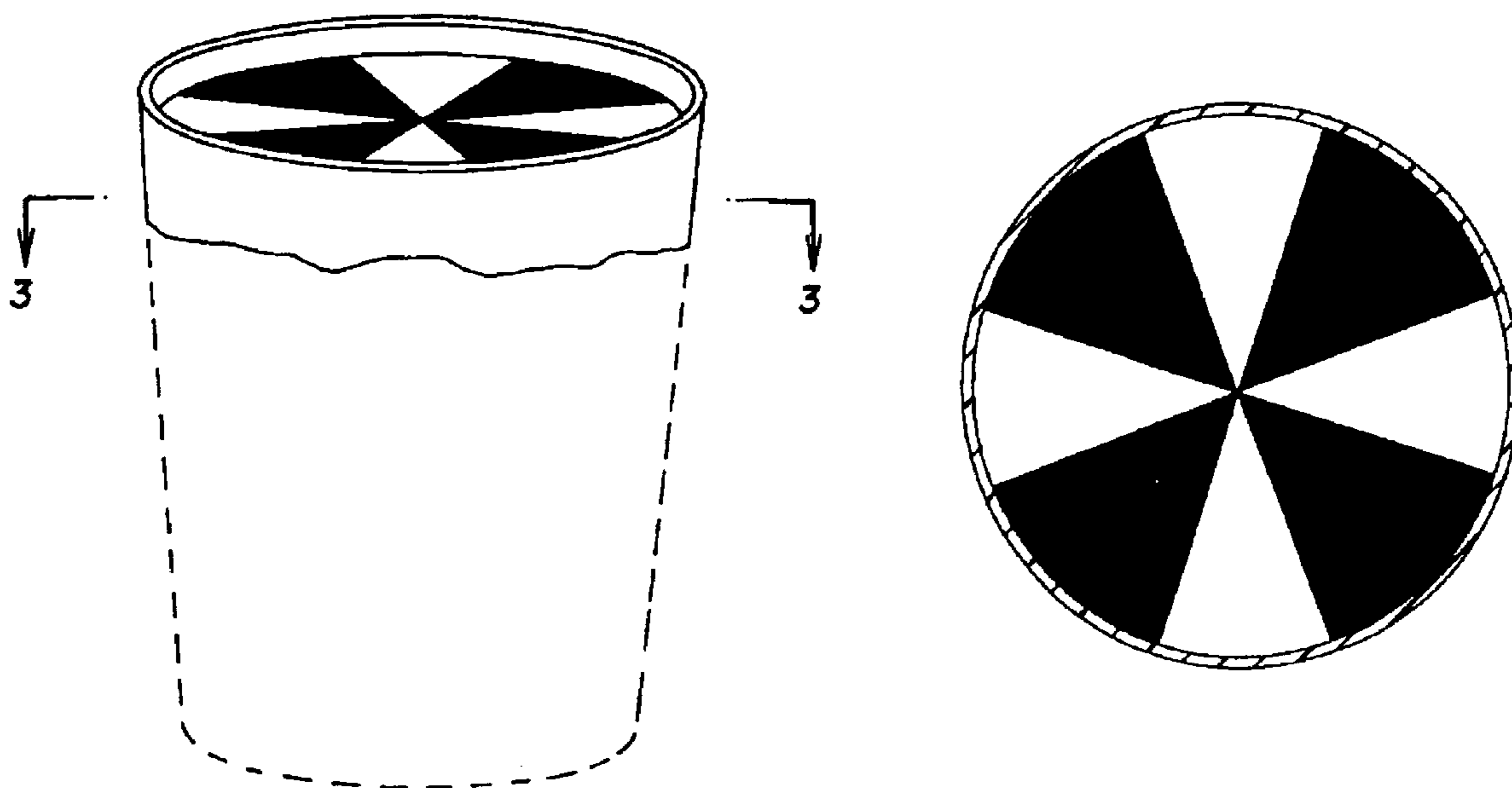
(57) **CLAIM**

We claim the ornamental design for a top portion of a container and viscous flowable food product, as shown and described.

DESCRIPTION

FIG. 1 is a top plan view of a top portion of a container and viscous flowable food product according to our new design. FIG. 2 is a top front perspective view thereof with the broken lines showing the remainder of the container which forms no part of the claimed design; and, FIG. 3 is a sectional view taken along line 3—3 of FIG. 2. The color black represents a contrasting color.

1 Claim, 1 Drawing Sheet



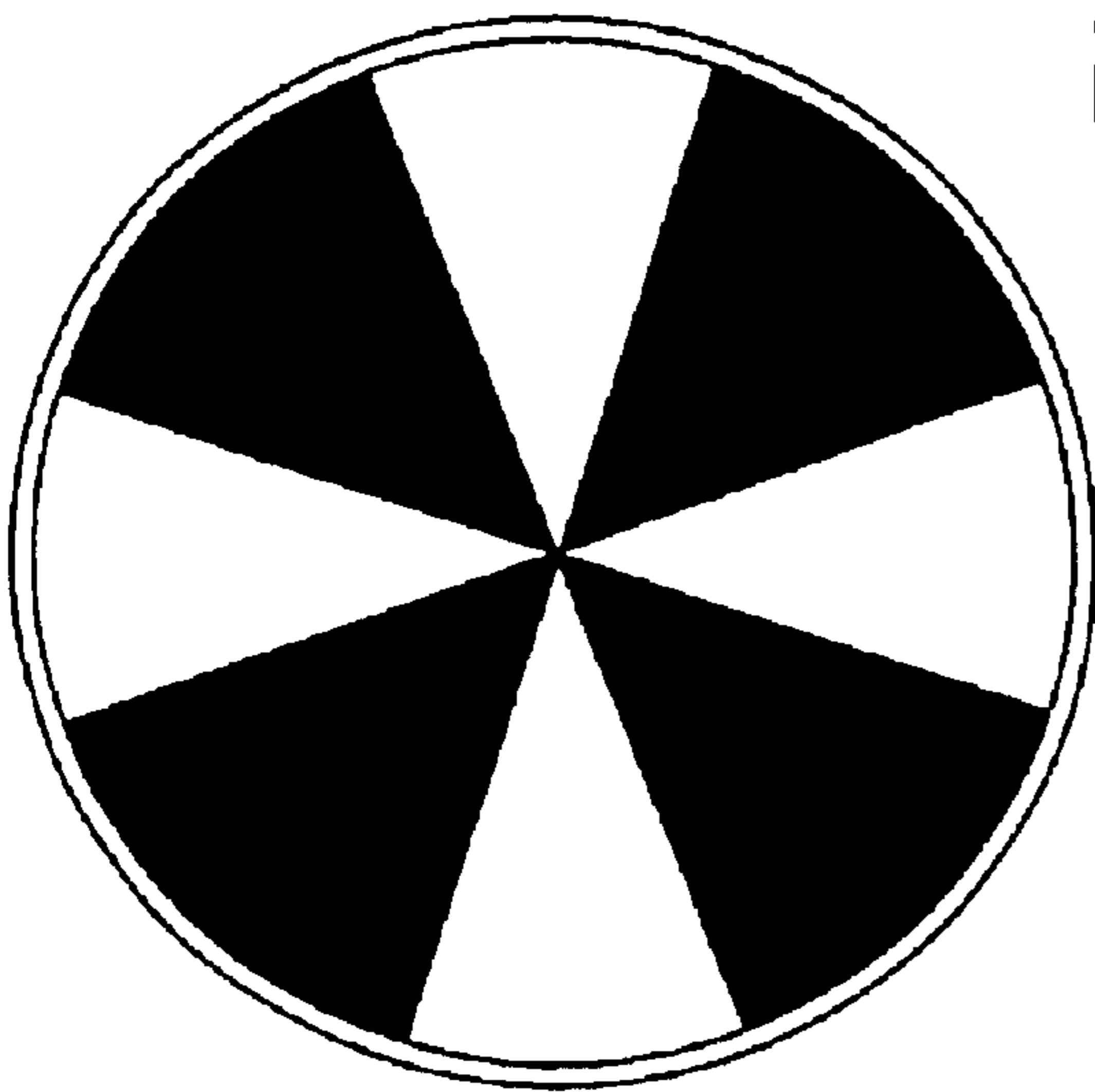


FIG. 1

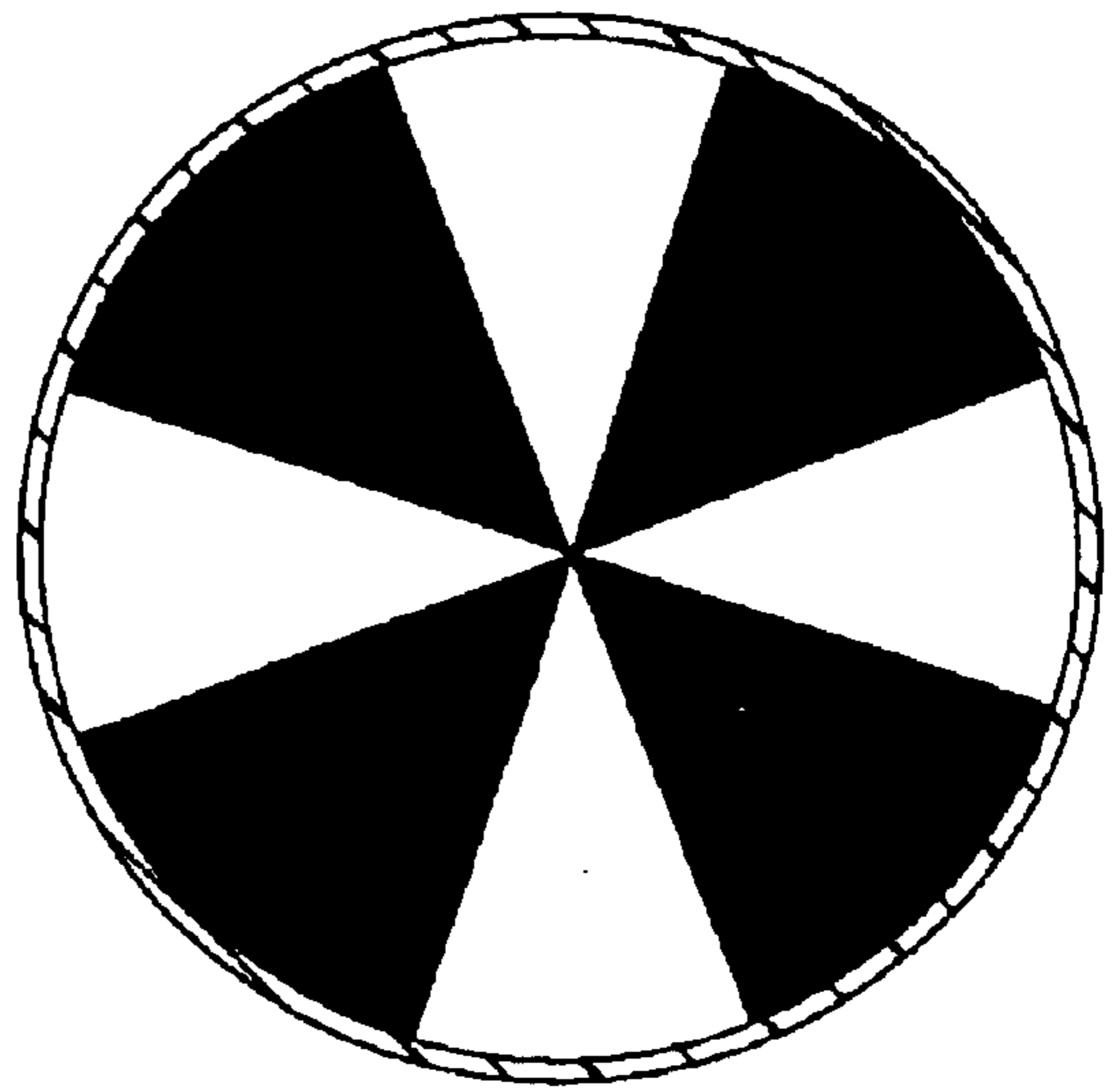


FIG. 3

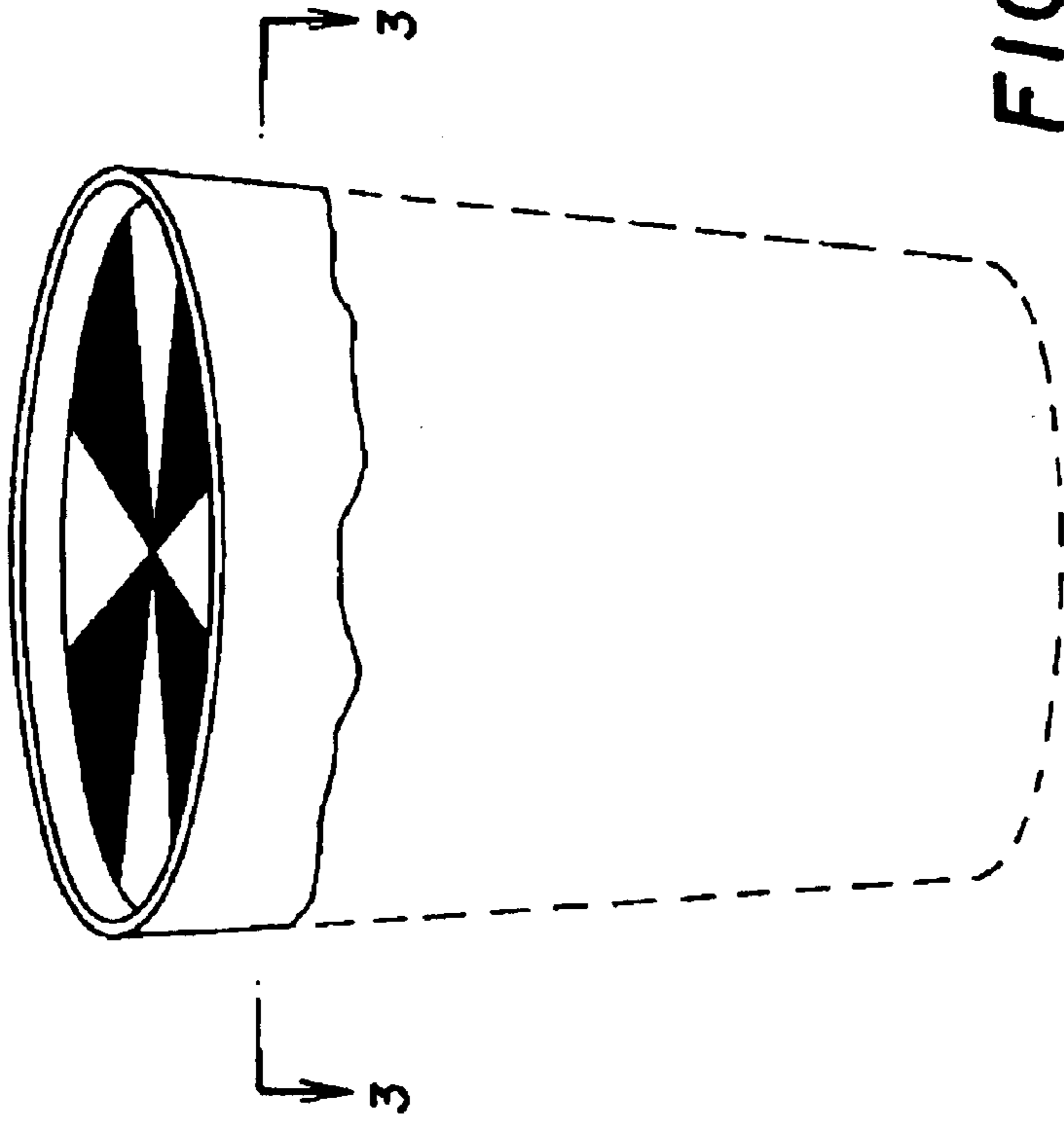


FIG. 2