



US00D489860S

(12) **United States Design Patent**  
**Apps et al.**

(10) **Patent No.:** **US D489,860 S**

(45) **Date of Patent:** **\*\* May 11, 2004**

(54) **TOP FRAME**

D459,049 S \* 6/2002 Apps et al. .... D34/38

(75) Inventors: **William P. Apps**, Alpharetta, GA (US);  
**Gabriel A. Guerra**, Walnut, CA (US);  
**Charles N. Stanley**, Colleyville, TX  
(US)

**FOREIGN PATENT DOCUMENTS**

WO 99/58420 11/1999

**OTHER PUBLICATIONS**

(73) Assignee: **Rehrig Pacific Company**, Los Angeles,  
CA (US)

*Grocery Distribution Magazine*, Ad, Jul./Aug. 1999, p. 11.  
EPC Loudon Brochure "Plastic Pallets for the Beverage  
Industry" dated Apr. 1997 (bottom of p. 3).

(\*\*) Term: **14 Years**

\* cited by examiner

(21) Appl. No.: **29/162,575**

*Primary Examiner*—Cynthia E. Ramirez

(22) Filed: **Jun. 17, 2002**

(57) **CLAIM**

The ornamental design for a top frame, as shown and  
described.

**Related U.S. Application Data**

(62) Division of application No. 29/121,521, filed on Apr. 8,  
2000, now Pat. No. Des. 459,049.

**DESCRIPTION**

(51) **LOC (7) Cl.** ..... **09-08**

(52) **U.S. Cl.** ..... **D34/38**

(58) **Field of Search** ..... D34/38; 108/57.1,  
108/54.1, 51.11; 206/453, 586, 386, 593,  
594

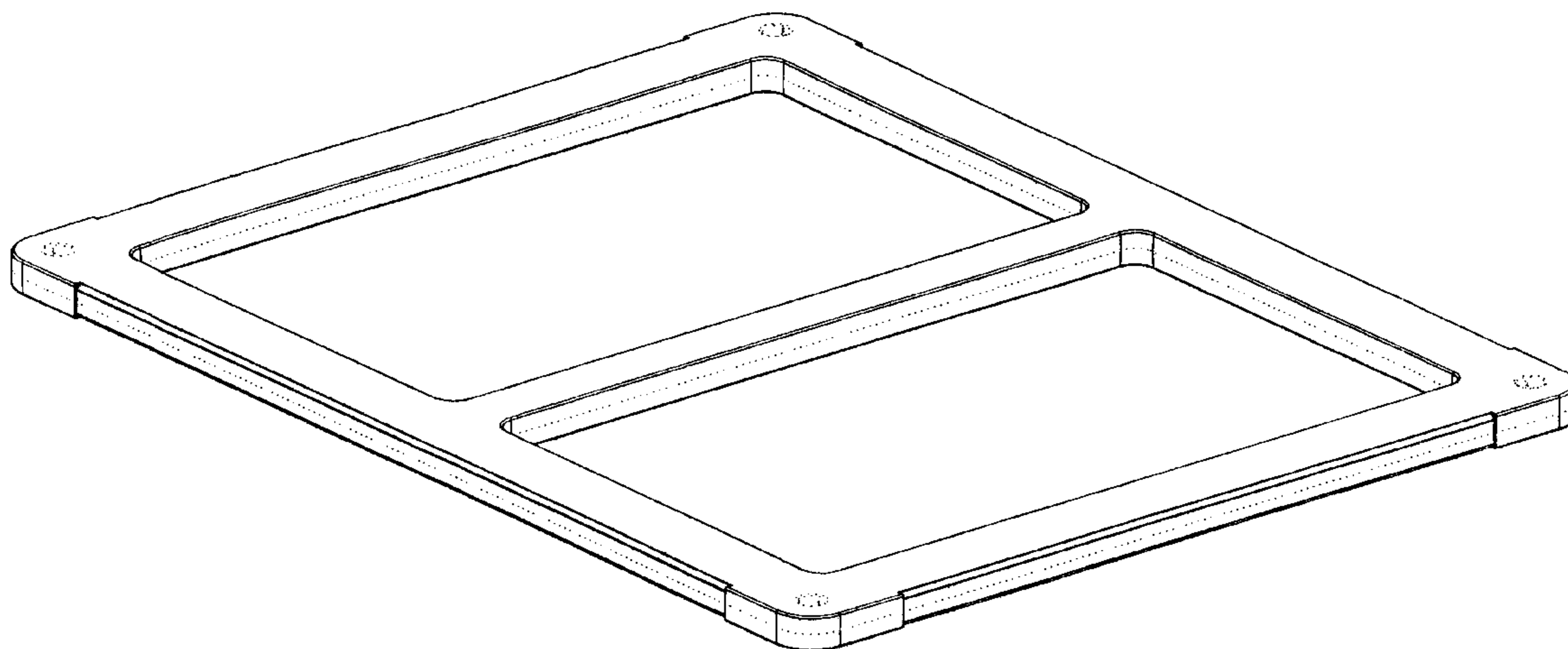
FIG. 1 is a perspective view of a first embodiment of a top  
frame according to the present invention;  
FIG. 2 is a top plan view thereof, the bottom plan view being  
a mirror image thereof;  
FIG. 3 is a front elevational view thereof, the rear elevational  
view being a mirror image thereof;  
FIG. 4 is a left side elevational view thereof, the right side  
elevational view being a mirror image thereof;  
FIG. 5 is a perspective view of a second embodiment of a top  
frame according to the present invention;  
FIG. 6 is a top plan view thereof, the bottom plan view being  
a mirror image thereof;  
FIG. 7 is a front elevational view thereof, the rear elevational  
view being a mirror image thereof; and,  
FIG. 8 is a left side elevational view thereof, the right side  
elevational view being a mirror image thereof.  
The broken lines of FIGS. 1-4, and are for illustrative  
purposes only and form no part of the claimed design.

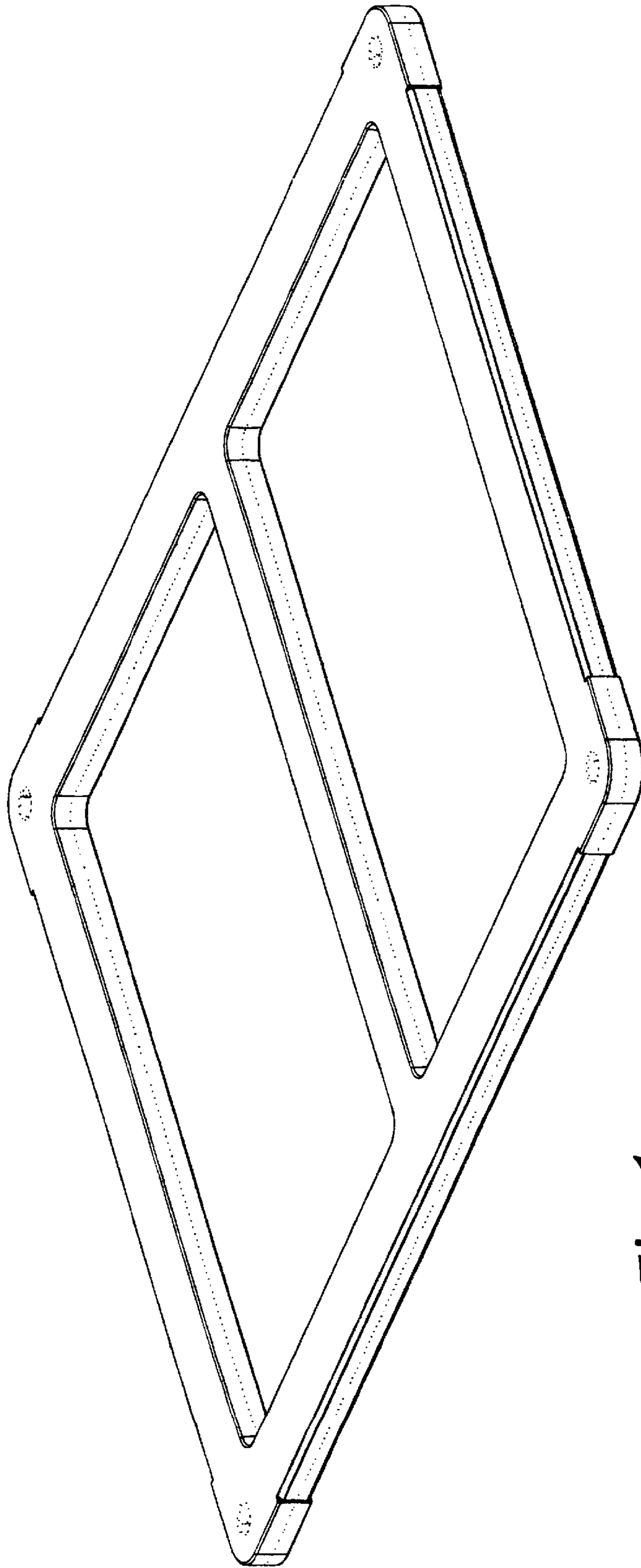
(56) **References Cited**

**U.S. PATENT DOCUMENTS**

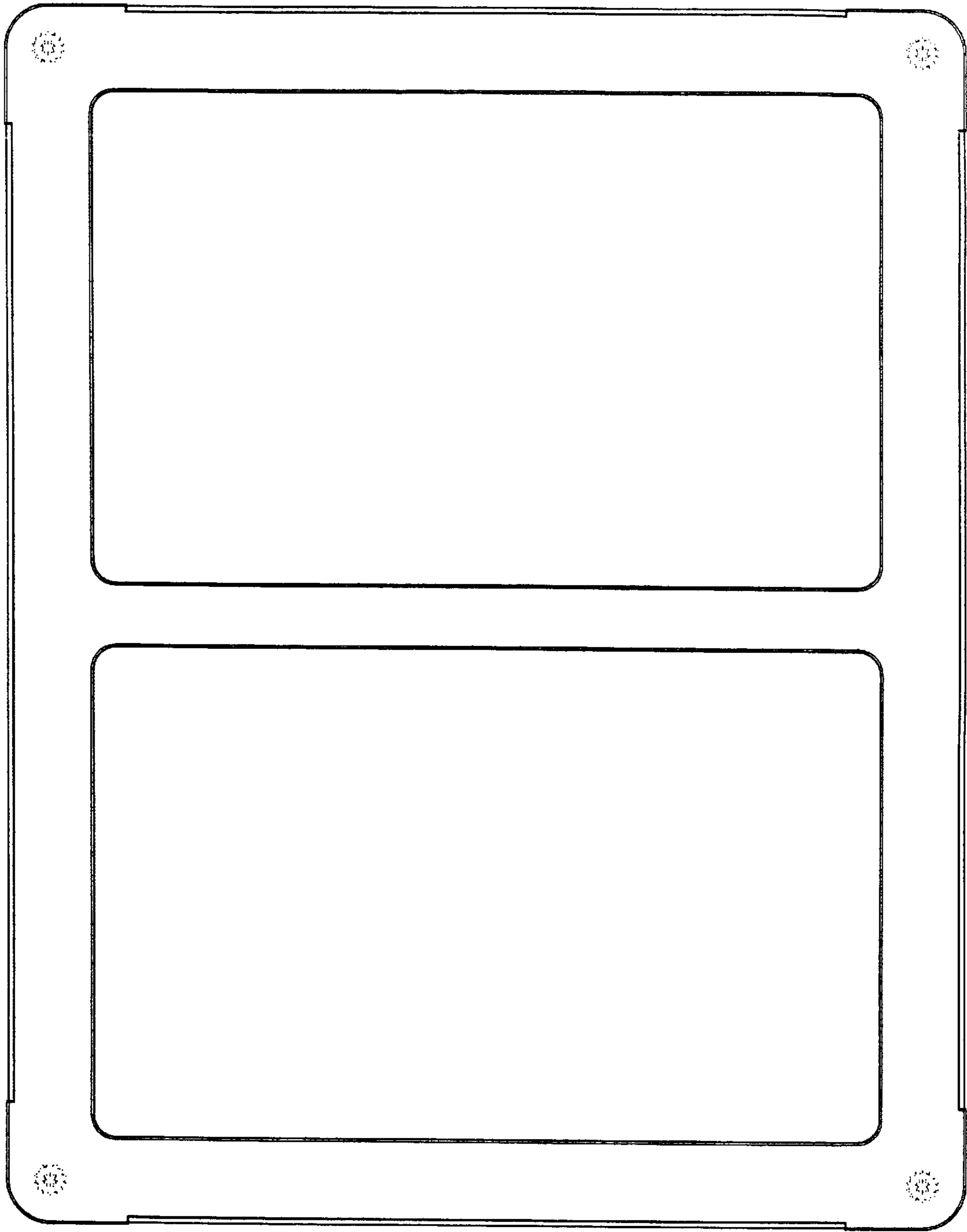
2,762,551 A	9/1956	Fallert
D229,042 S	11/1973	Melnick et al.
4,838,418 A	6/1989	Teixeira
4,989,731 A	2/1991	Shuert
5,160,029 A	11/1992	Pigott et al.
RE35,875 E	8/1998	Shuert
5,829,364 A	11/1998	Urbach
D404,180 S	1/1999	Apps et al.
D407,178 S	3/1999	Evans
D417,765 S	12/1999	Morello
D434,509 S	11/2000	Oliver et al.
6,283,044 B1	9/2001	Apps

**1 Claim, 8 Drawing Sheets**

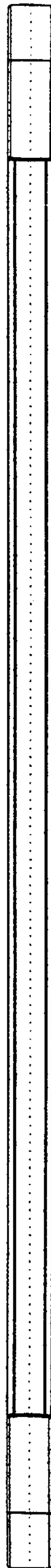




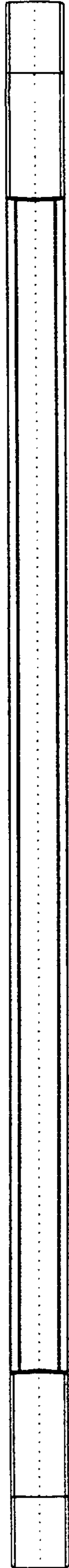
*Fig. 1*



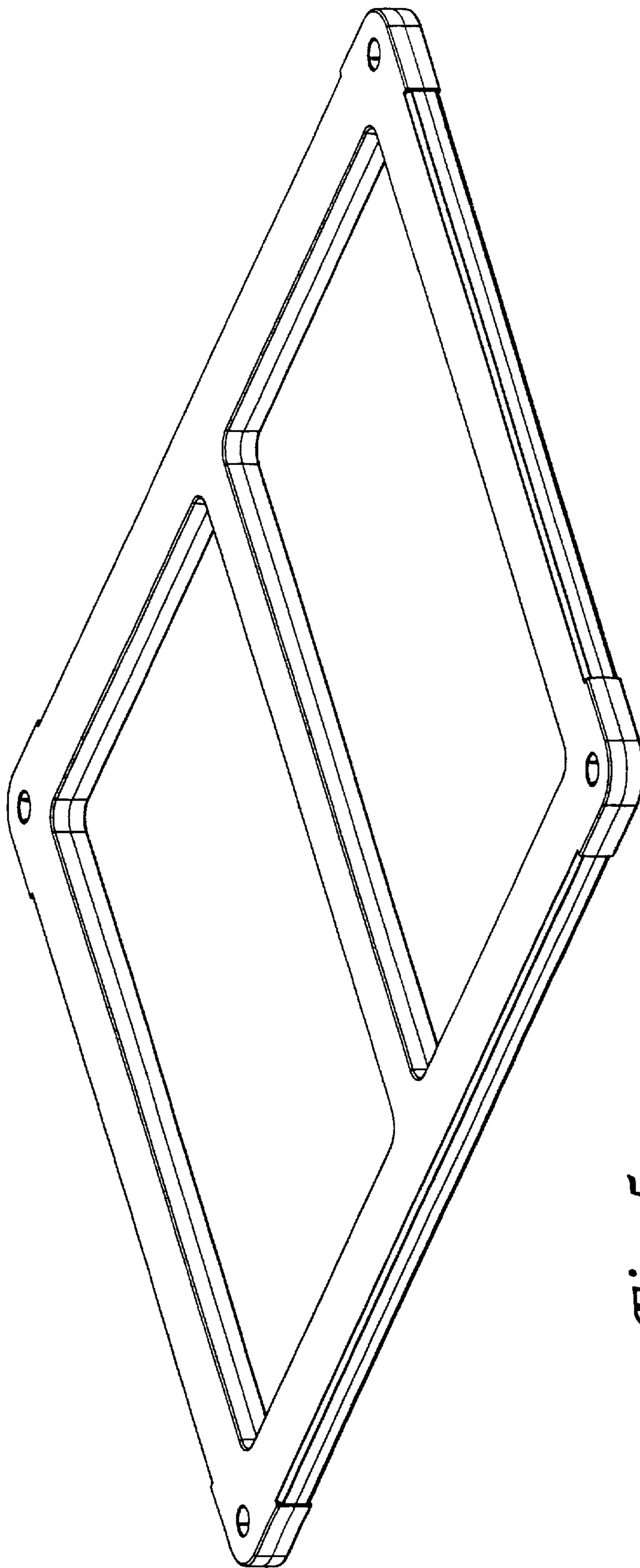
*Fig. 2*



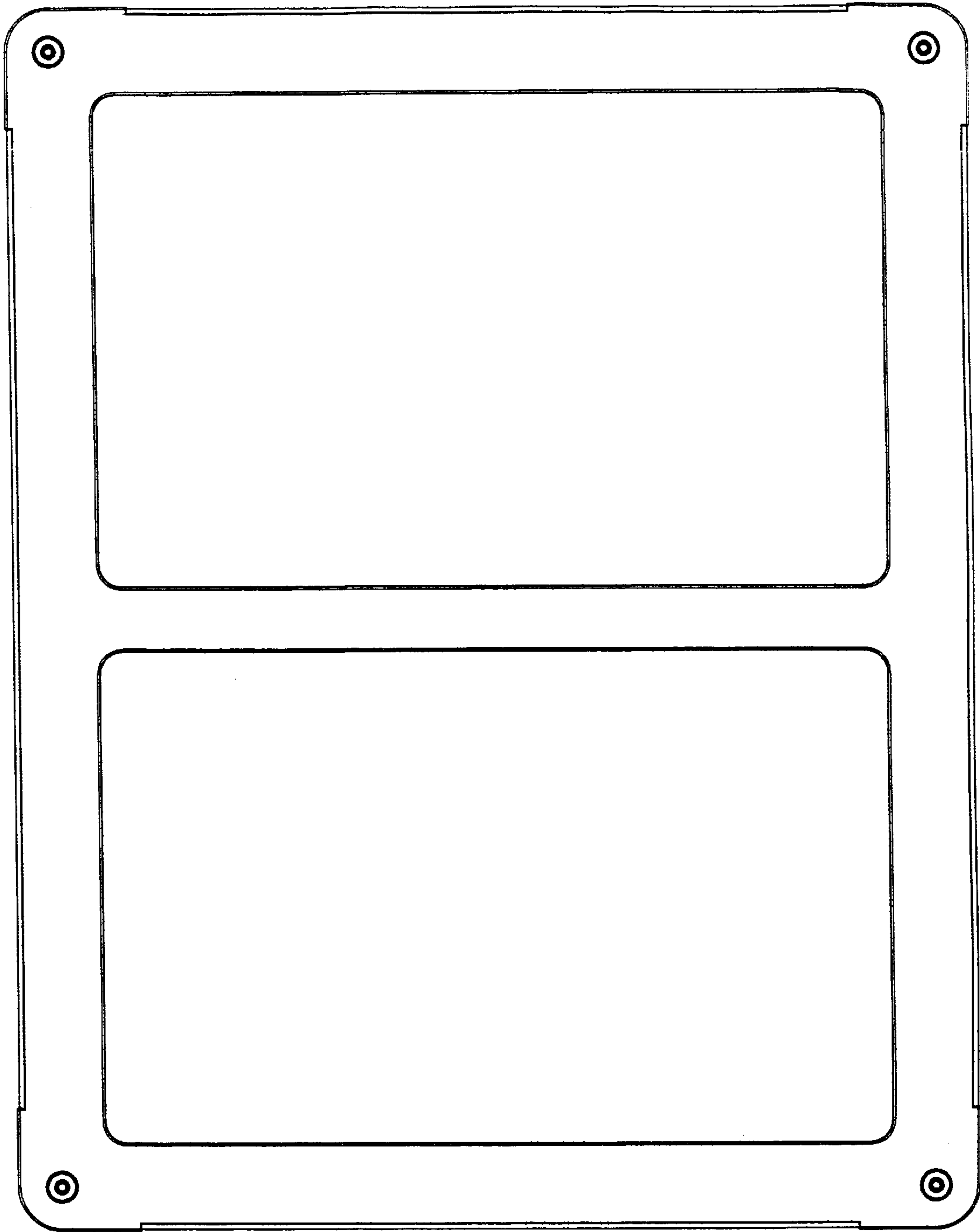
*Fig. 3*



*Fig. 4*



*Fig. 5*



*Fig. 6*





*Fig. 7*





*Fig. 8*