



US00D489858S

(12) **United States Design Patent**
Hay et al.

(10) **Patent No.:** **US D489,858 S**

(45) **Date of Patent:** **** May 11, 2004**

(54) **TOOL STORAGE CABINET**

(75) Inventors: **Michael E. Hay**, Dysart, IA (US);
Ramon L. Klemmensen, Cedar Falls,
IA (US); **Fred P. Ritchie**, Cedar Falls,
IA (US); **Steven F. Kohagen**, Waverly,
IA (US)

(73) Assignee: **Waterloo Industries, Inc.**, Waterloo, IA
(US)

(**) Term: **14 Years**

(21) Appl. No.: **29/175,913**

(22) Filed: **Feb. 13, 2003**

(51) **LOC (7) Cl.** **12-02**

(52) **U.S. Cl.** **D34/20**

(58) **Field of Search** D34/12-27; 280/79.3,
280/47.35, 79.11; 312/229, 250, 350; D6/440

(56) **References Cited**

U.S. PATENT DOCUMENTS

D349,594 S * 8/1994 Bonazza D34/20

D381,166 S * 7/1997 Bonazza D34/20
D411,678 S * 6/1999 Di Paolo D34/21
D457,704 S * 5/2002 Fiscus et al. D34/20
2001/0035702 A1 * 11/2001 Murphy et al. 312/229

* cited by examiner

Primary Examiner—Kay H. Chin

(74) *Attorney, Agent, or Firm*—Banner & Witcoff, Ltd.

(57) **CLAIM**

The ornamental design for a tool storage cabinet, as shown and described.

DESCRIPTION

FIG. 1 is an isometric view of the tool storage cabinet;
FIG. 2 is a top plan view of the tool storage cabinet;
FIG. 3 is a front elevation of the tool storage cabinet;
FIG. 4 is a right side elevation view of the tool cabinet;
FIG. 5 is a left side elevation view of the tool cabinet; and,
FIG. 6 is a rear elevation view of the tool cabinet.

1 Claim, 5 Drawing Sheets

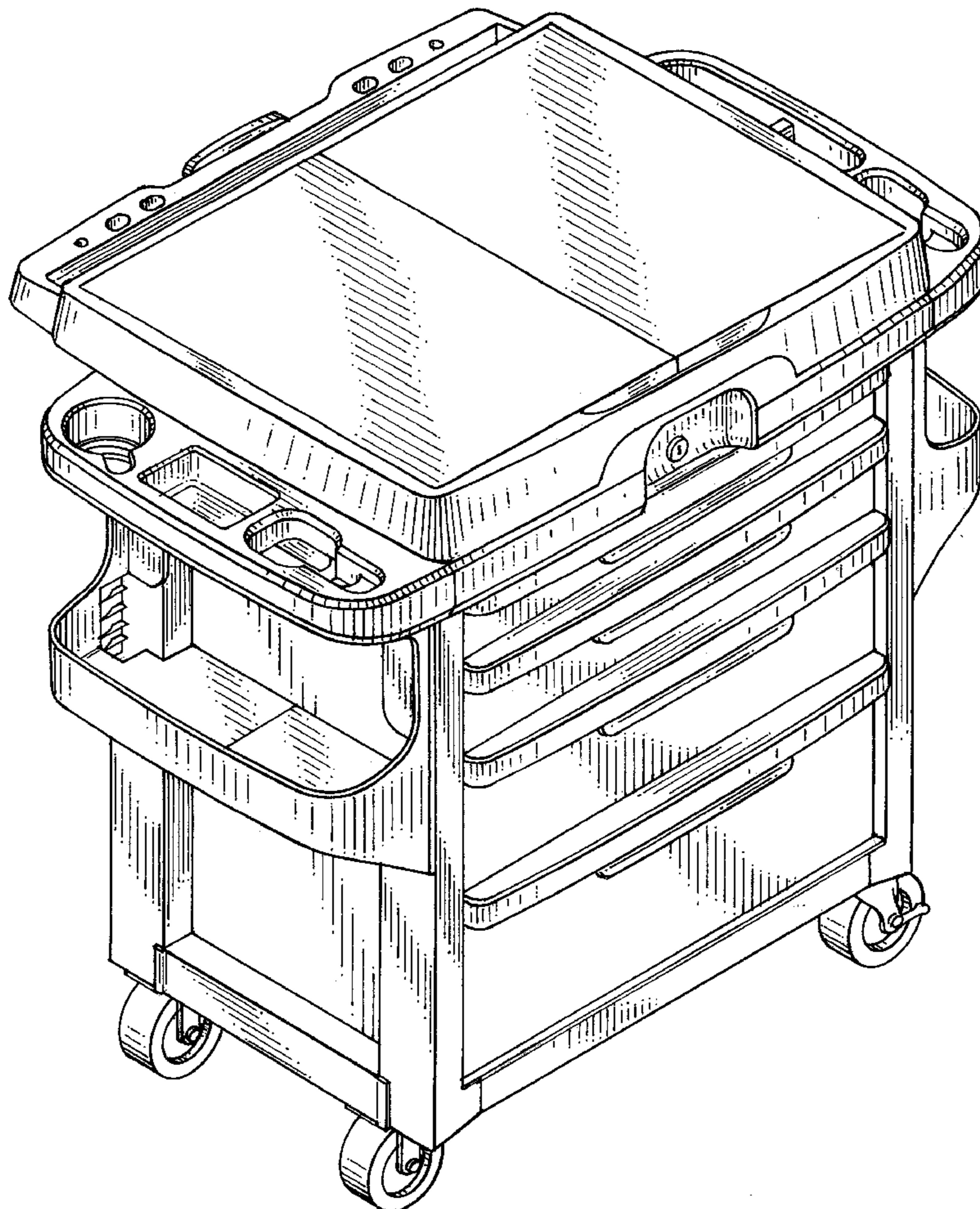


FIG. 1

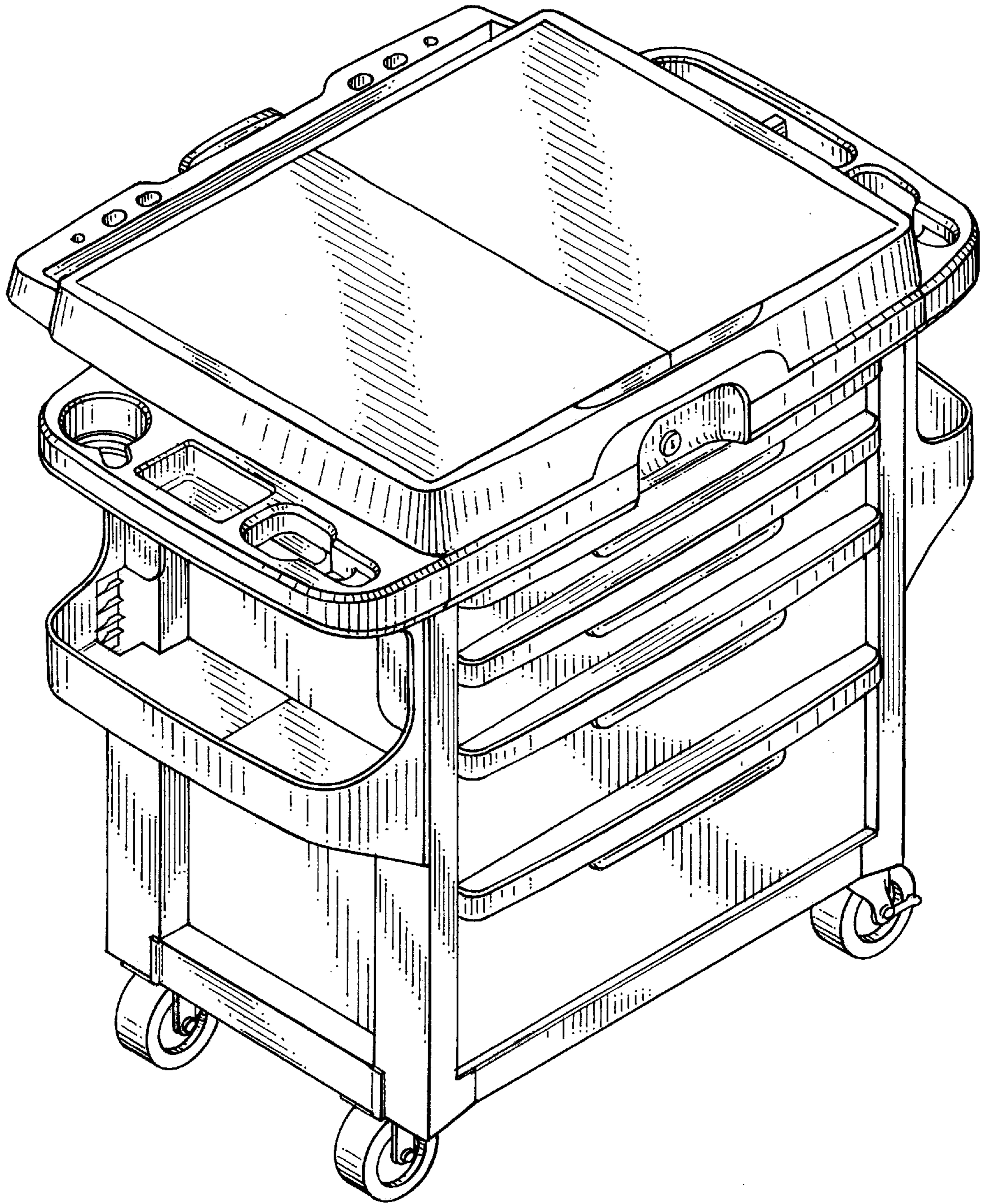


FIG.2

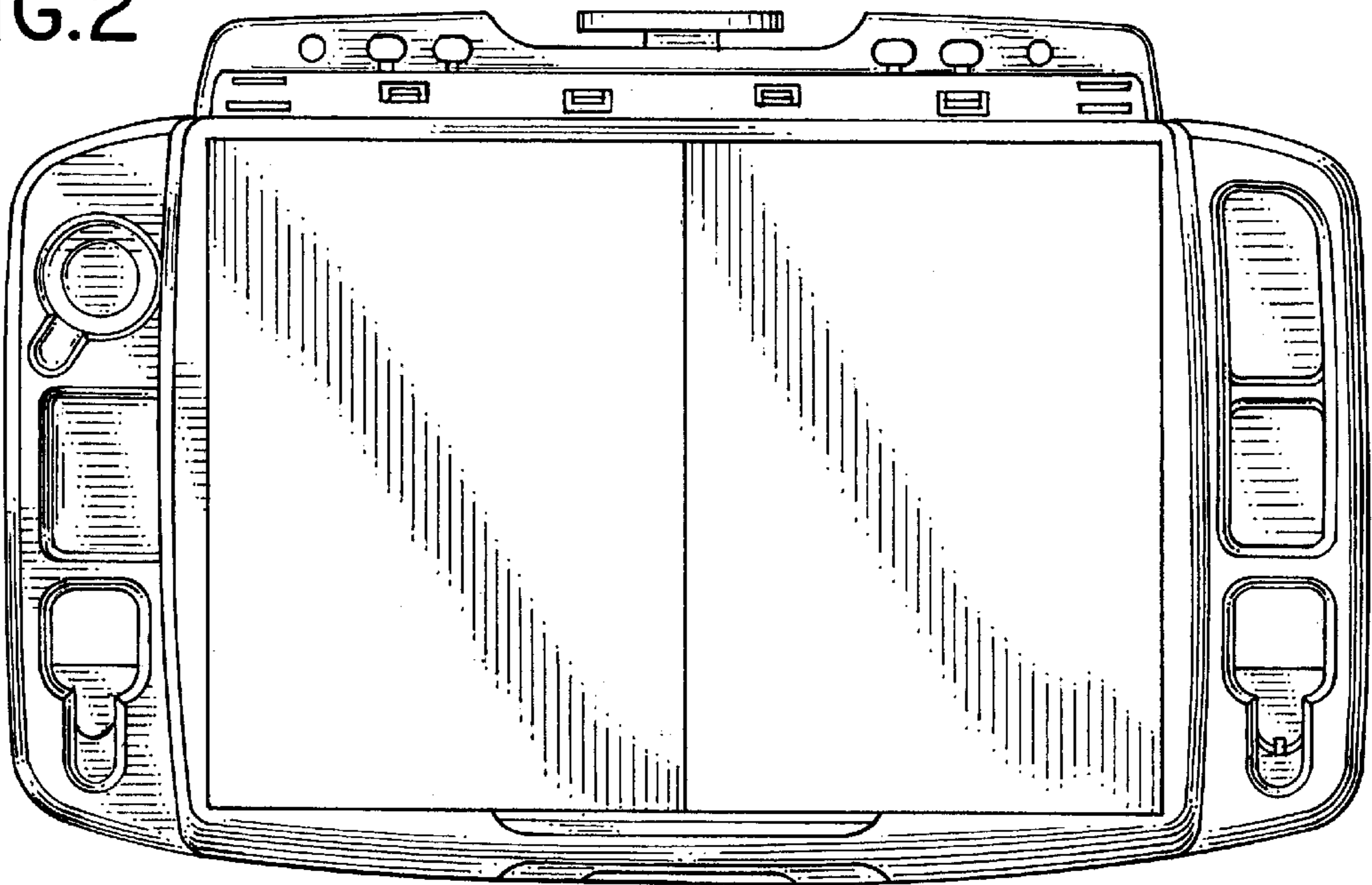


FIG.3

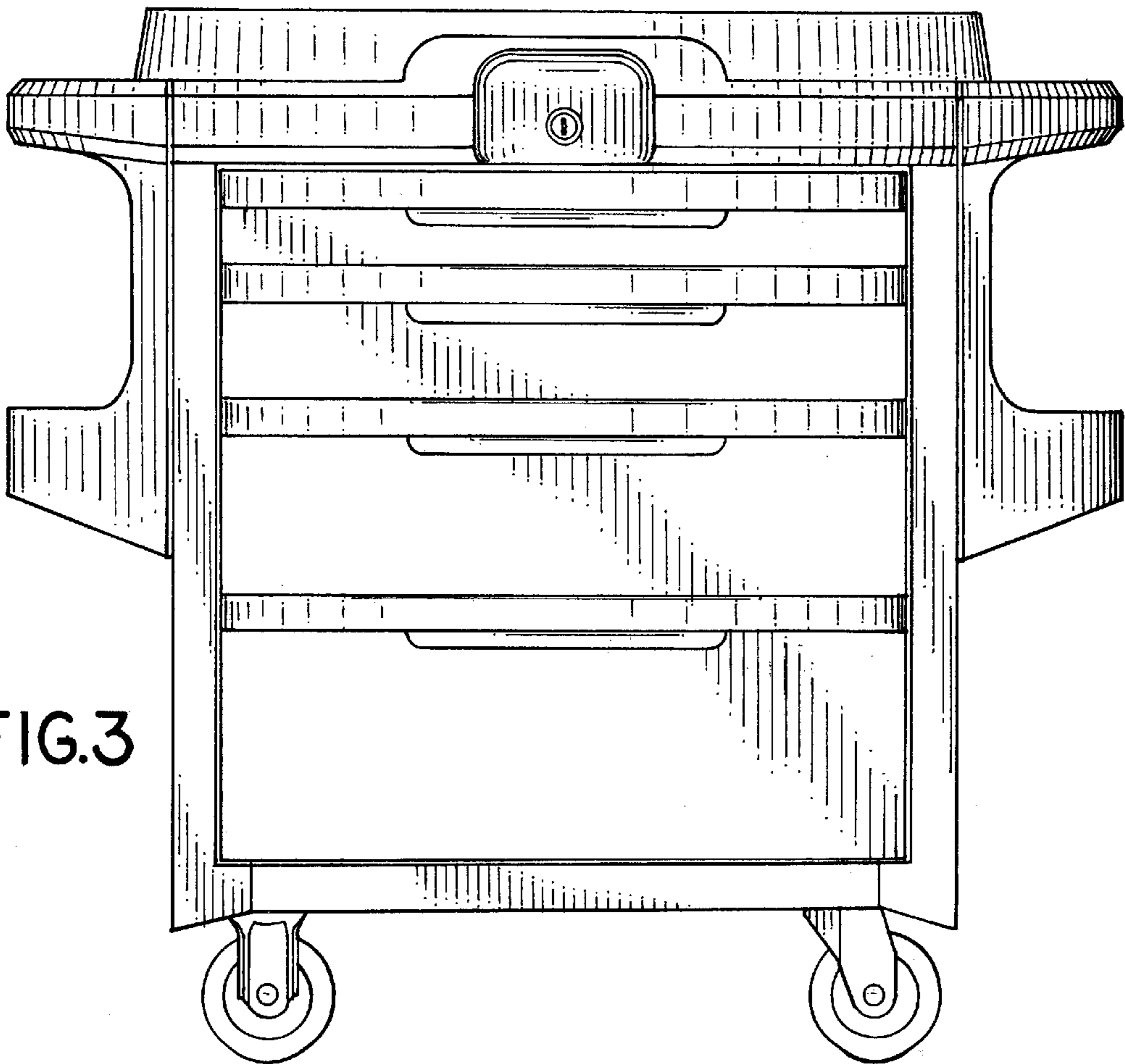


FIG.4

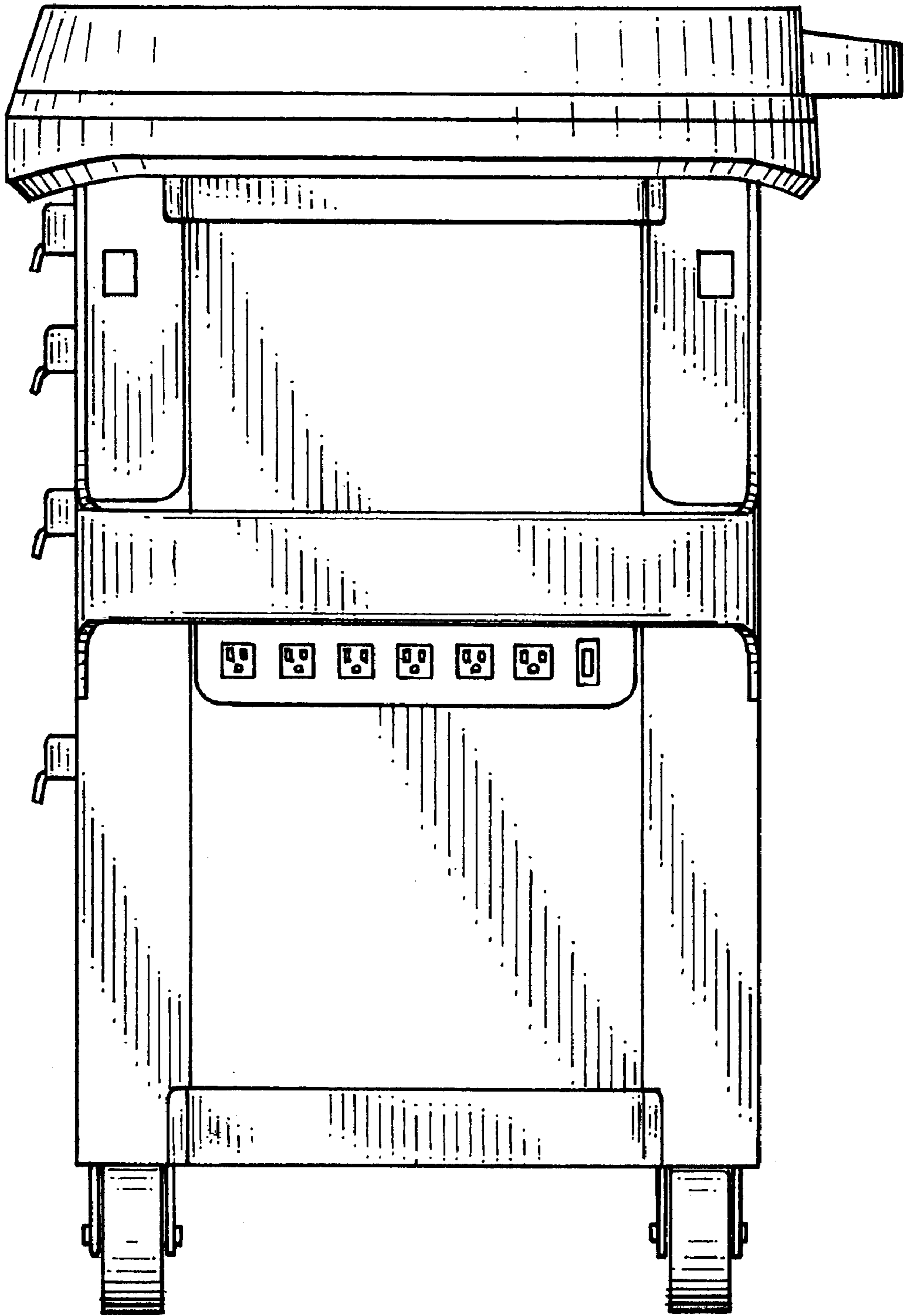


FIG. 5

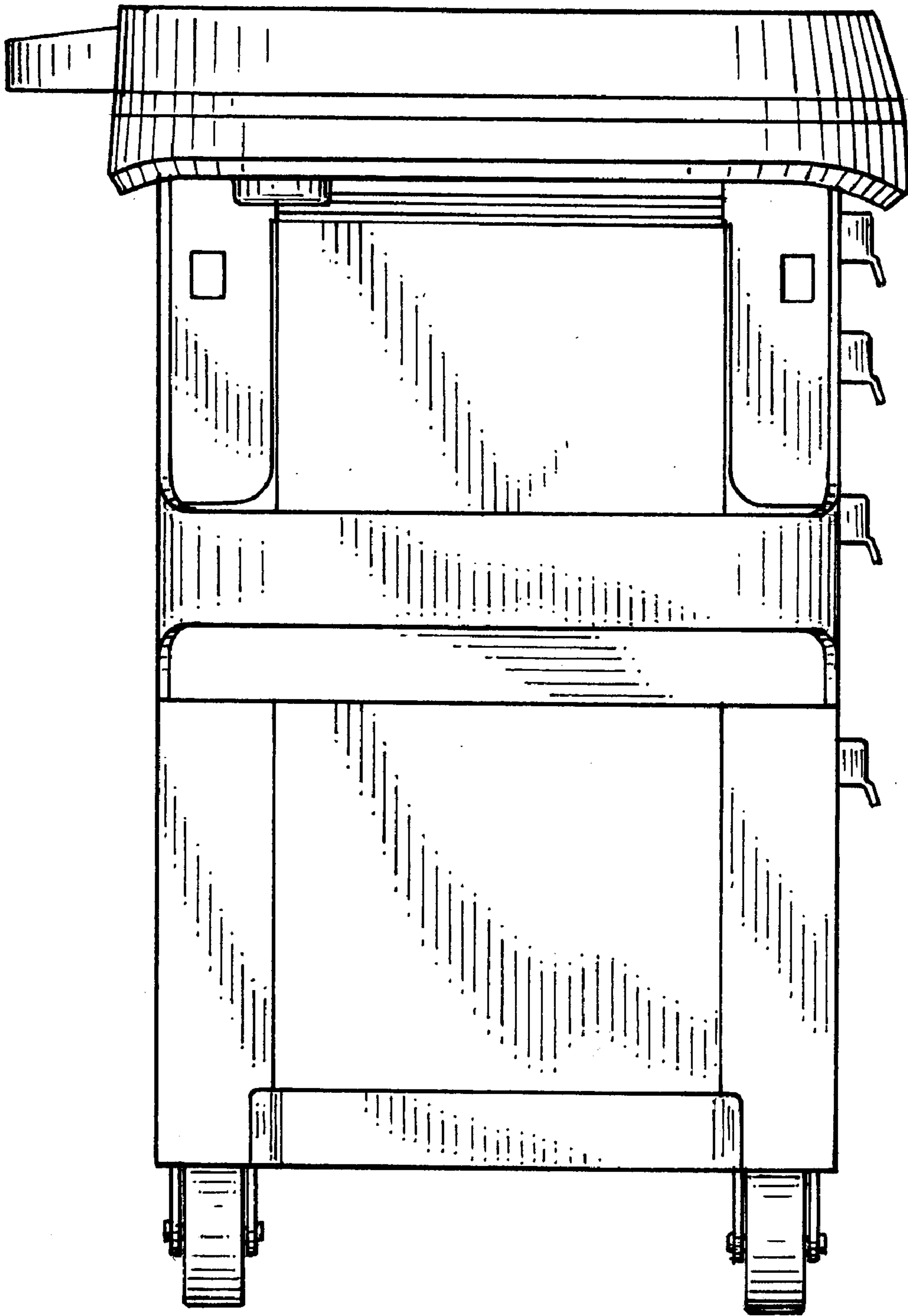


FIG. 6

