



US00D489855S

(12) **United States Design Patent**  
**Tseng**

(10) **Patent No.:**

**US D489,855 S**

(45) **Date of Patent:**

**\*\* May 11, 2004**

(54) **WASTE CONTAINER**

(76) Inventor: **Ming-Te Tseng**, No. 191, Hai-Liau  
Tsuen, An-Ding Shiang, Tainan Hsien  
(TW)

(\*\*) Term: **14 Years**

(21) Appl. No.: **29/166,902**

(22) Filed: **Aug. 30, 2002**

(51) **LOC (7) Cl.** ..... **09-09**

(52) **U.S. Cl.** ..... **D34/9**

(58) **Field of Search** ..... D34/1, 7, 8, 9,  
D34/6, 10, 11; 220/908, 908.1, 909, 910,  
911, 262, 263, 252

(56) **References Cited**

**U.S. PATENT DOCUMENTS**

1,966,323	A	*	7/1934	Von Elm	.....	220/263
D108,642	S	*	3/1938	Geibel	.....	D34/9
2,246,975	A	*	6/1941	Geibel	.....	220/23.87
2,563,456	A	*	8/1951	Brownell	.....	220/263
4,081,105	A	*	3/1978	Dagonnet et al.	.....	220/263
4,445,619	A	*	5/1984	Kubic et al.	.....	220/263
4,489,810	A	*	12/1984	Curtis	.....	312/272.5
D329,929	S	*	9/1992	Knoedler et al.	.....	D32/37
5,249,693	A	*	10/1993	Gillispie et al.	.....	220/263
5,356,025	A	*	10/1994	Renault	.....	220/263
5,474,201	A	*	12/1995	Liu	.....	220/23.87
5,531,348	A	*	7/1996	Baker et al.	.....	220/264
D435,951	S	*	1/2001	Yang et al.	.....	D34/9
D447,611	S	*	9/2001	Lin	.....	D34/9

D450,901	S	*	11/2001	Lin	.....	D34/9
D453,252	S	*	1/2002	Lin	.....	D34/9
D453,253	S	*	1/2002	Lin	.....	D34/9
D453,600	S	*	2/2002	Lin	.....	D34/9
D453,870	S	*	2/2002	Lin	.....	D34/9
D454,239	S	*	3/2002	Lin	.....	D34/9
D465,630	S	*	11/2002	Lin	.....	D34/9
D465,894	S	*	11/2002	Lin	.....	D34/9
D466,265	S	*	11/2002	Lin	.....	D34/9
D466,667	S	*	12/2002	Lin	.....	D34/9
D470,639	S	*	2/2003	Quan	.....	D34/9
D472,686	S	*	4/2003	Lin	.....	D34/7
D472,688	S	*	4/2003	Lin	.....	D34/9

\* cited by examiner

*Primary Examiner*—Cynthia E. Ramirez  
(74) *Attorney, Agent, or Firm*—Alan D. Kamrath; Rider  
Bennett, LLP.

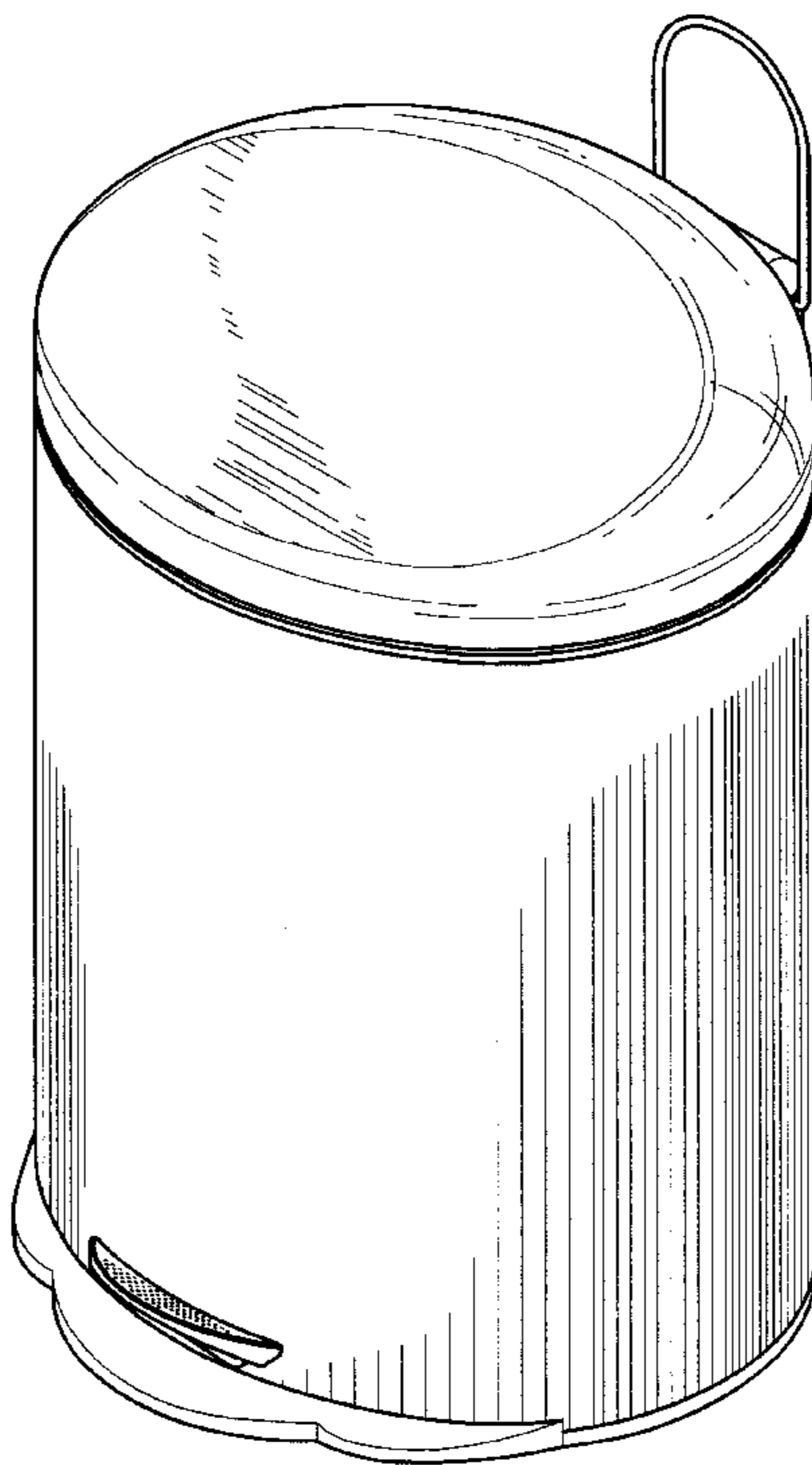
(57) **CLAIM**

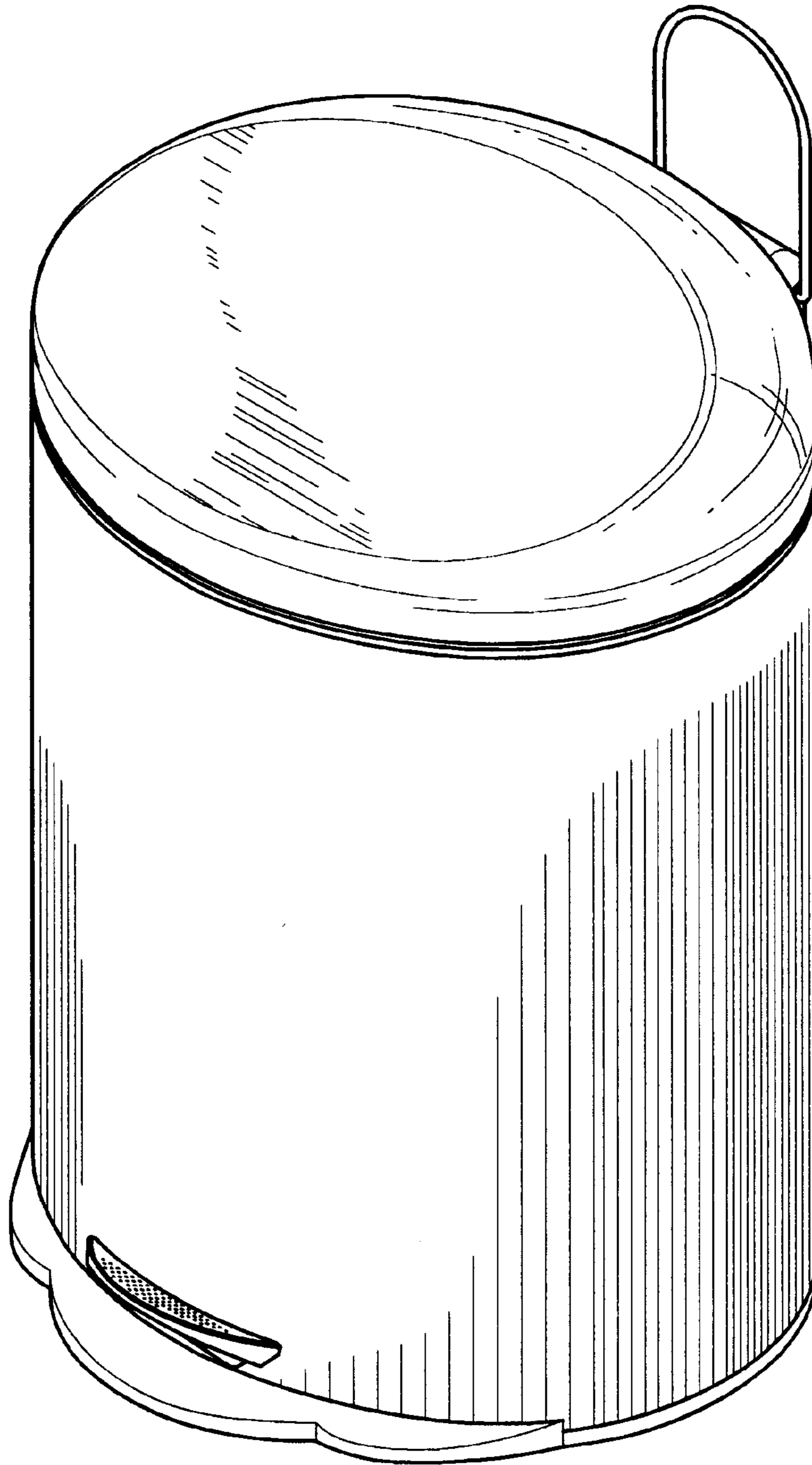
The ornamental design for a waste container, as shown and described.

**DESCRIPTION**

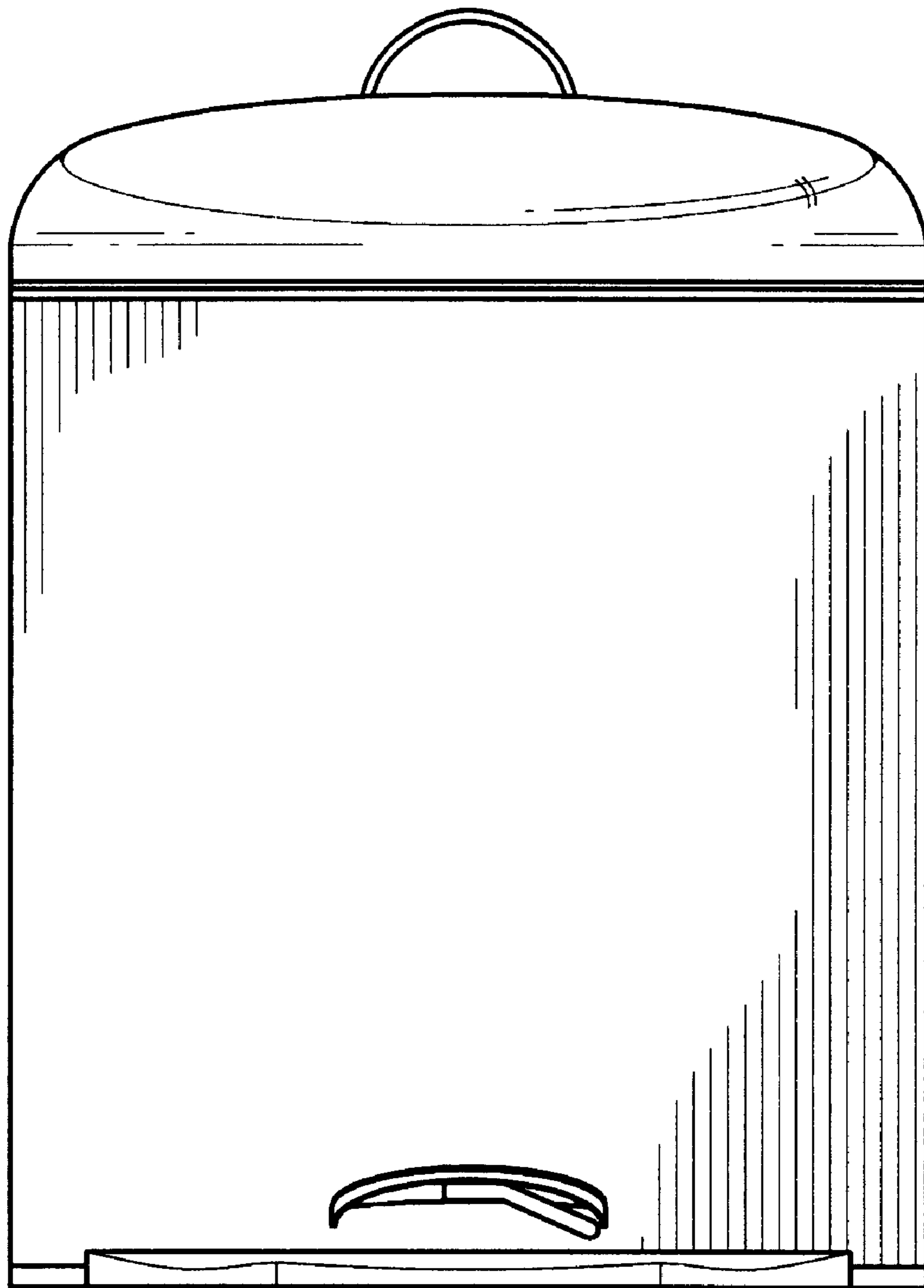
FIG. 1 is a front-top-right perspective view of a waste container showing my design;  
FIG. 2 is a front elevational view thereof;  
FIG. 3 is a rear elevational view thereof;  
FIG. 4 is a left elevational view thereof;  
FIG. 5 is a right elevational view thereof;  
FIG. 6 is a top plan view thereof; and,  
FIG. 7 is a bottom plan view thereof.

**1 Claim, 6 Drawing Sheets**

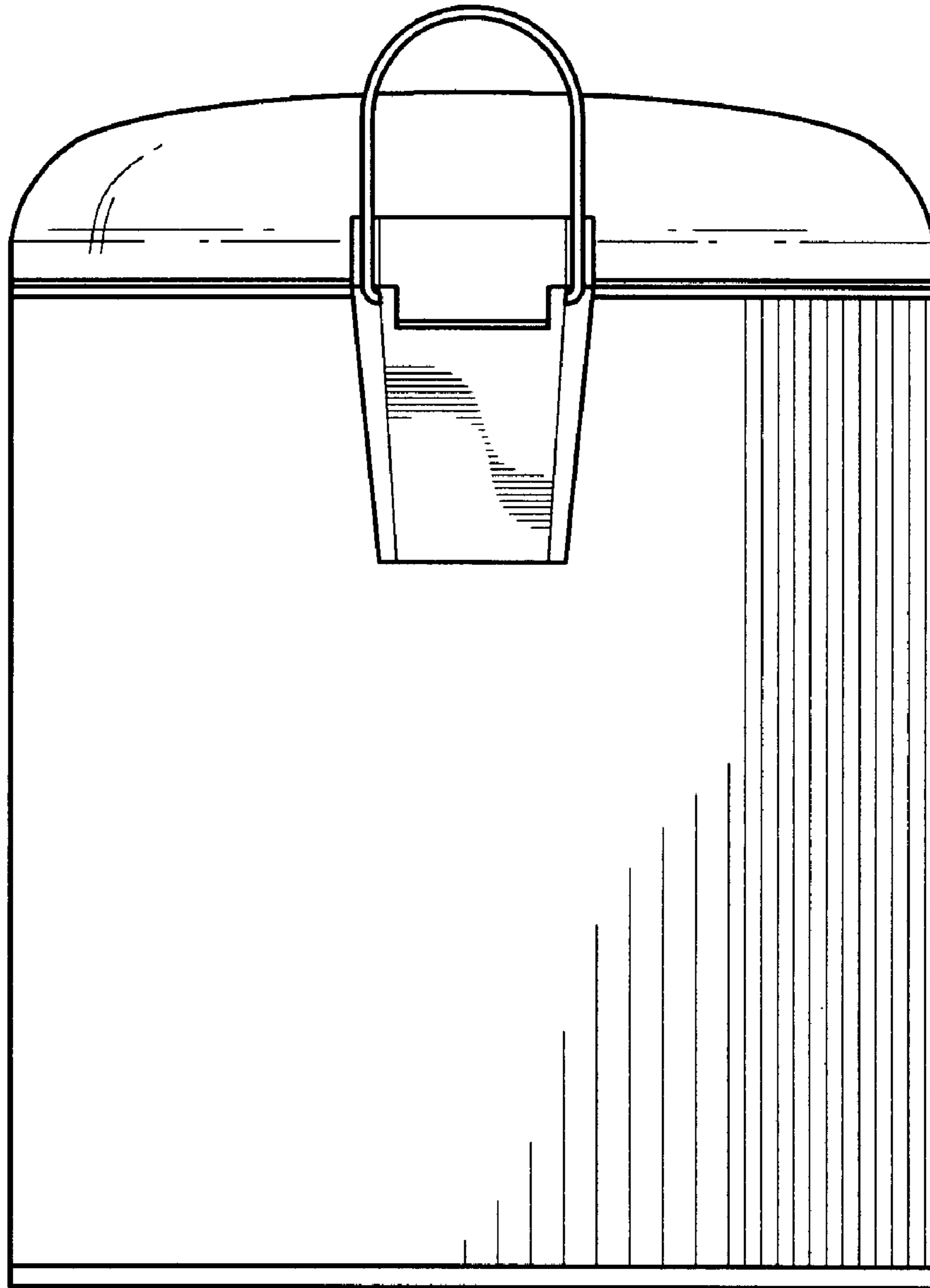




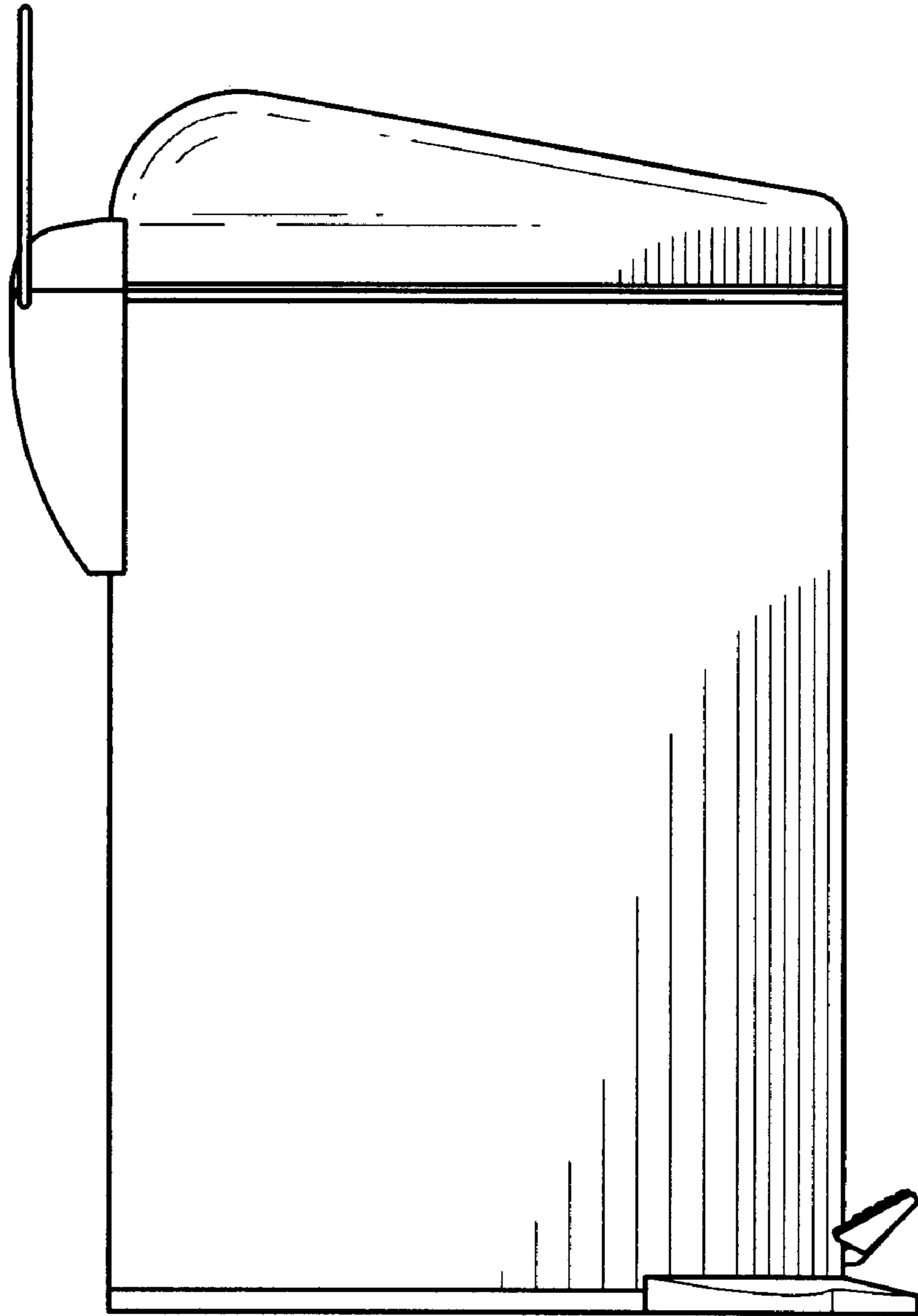
**Fig. 1**



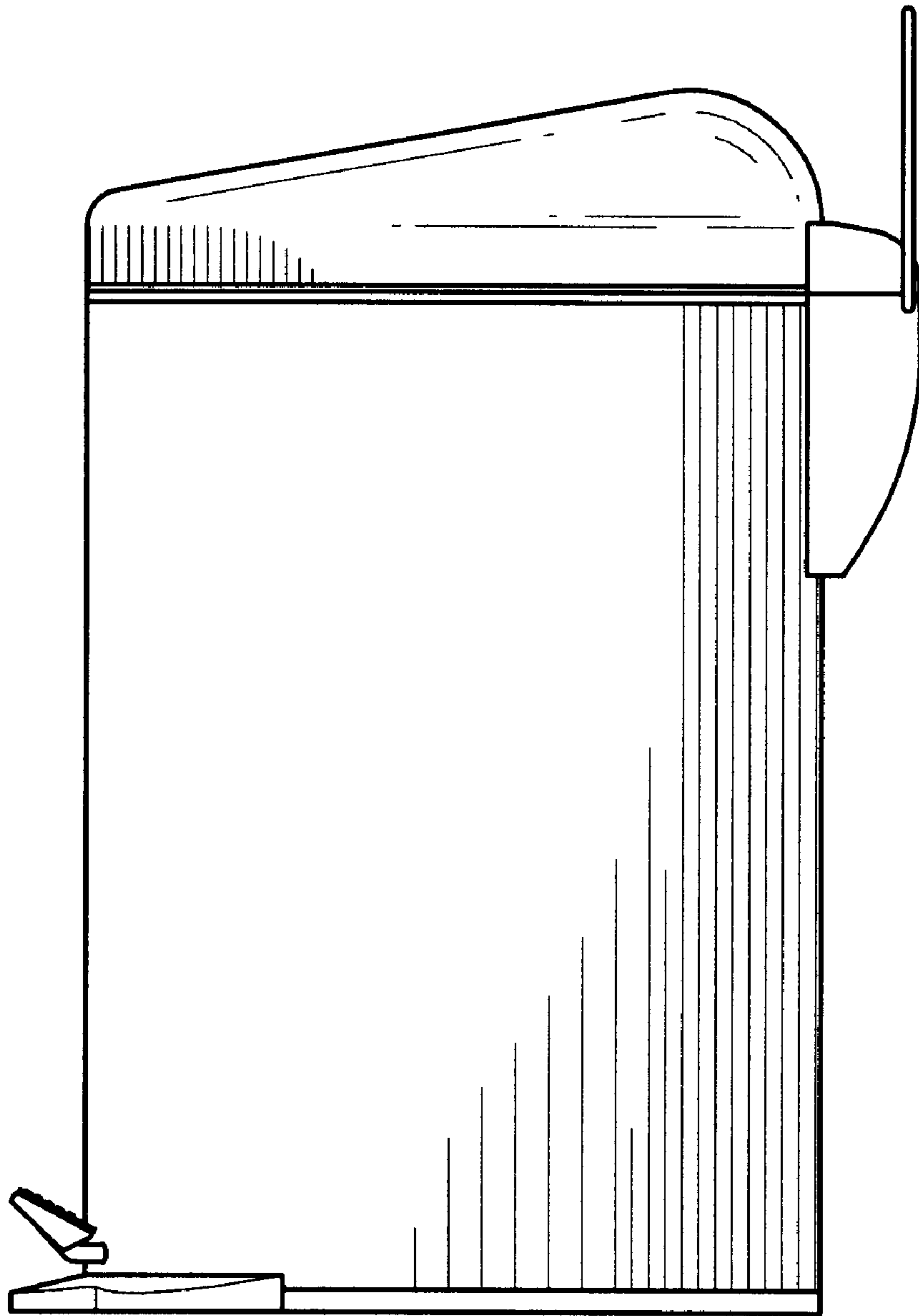
**Fig. 2**



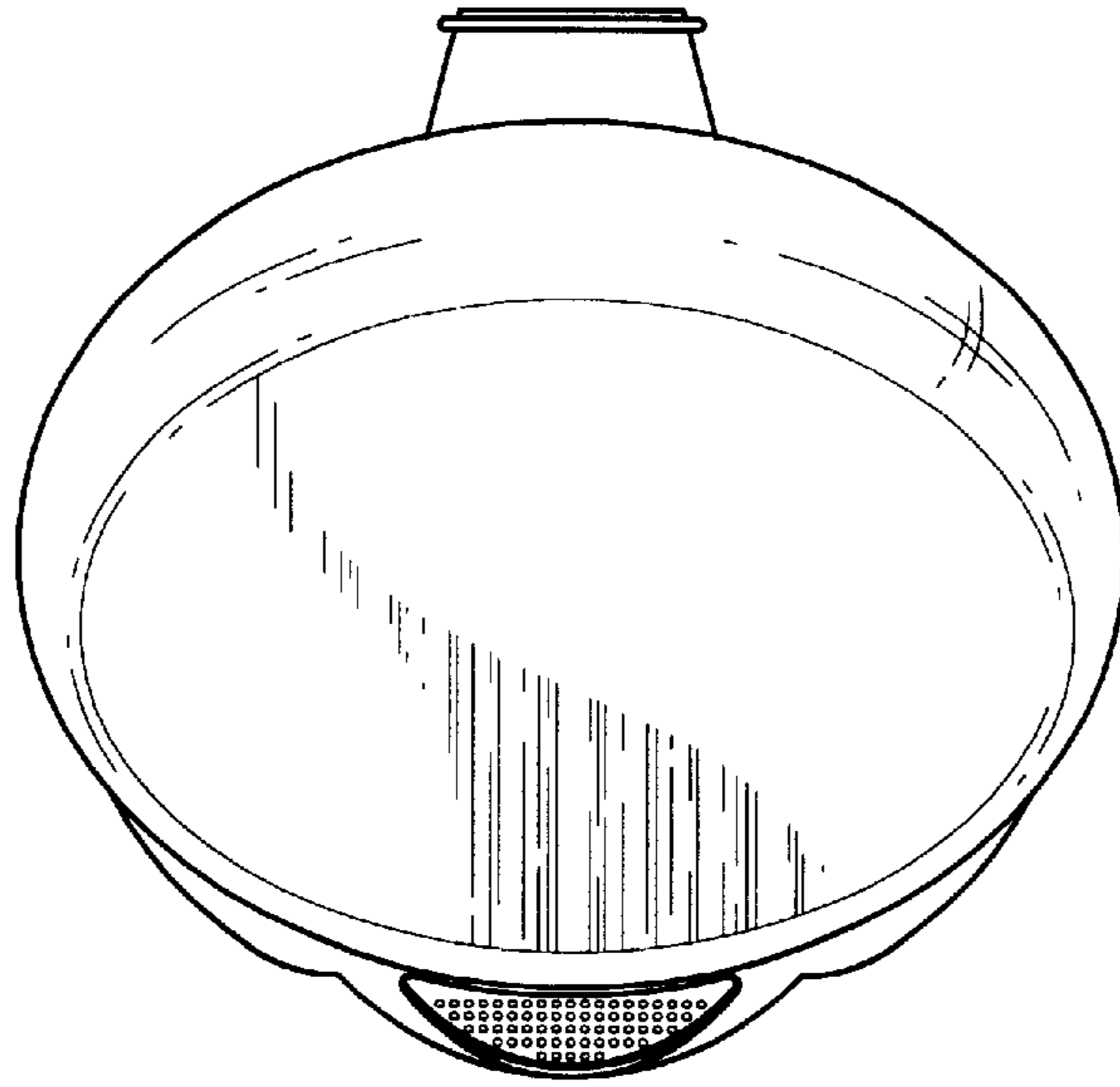
**Fig. 3**



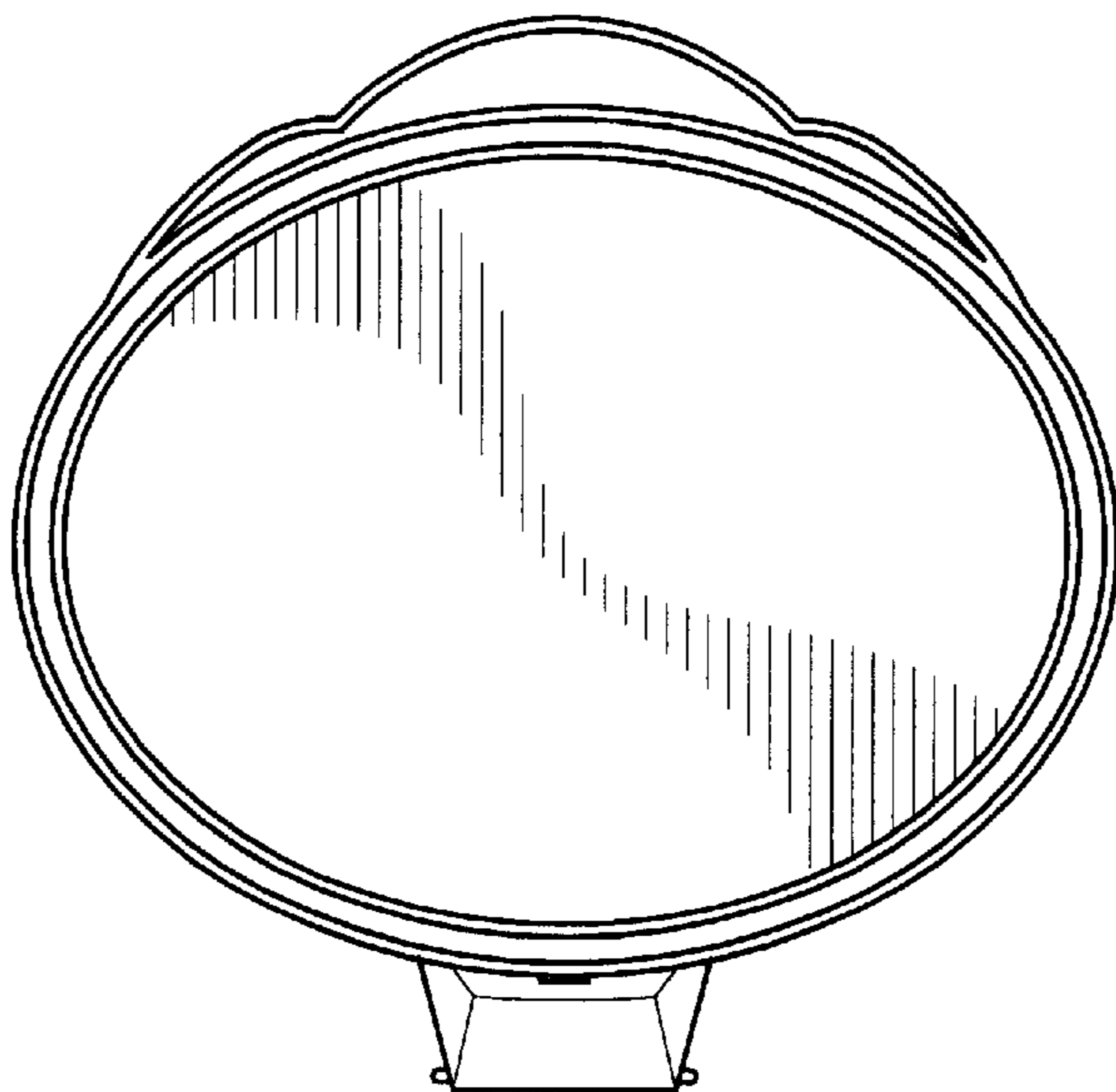
**Fig. 4**



**Fig. 5**



**Fig. 6**



**Fig. 7**