



US00D489849S

(12) **United States Design Patent**  
**Ki**

(10) **Patent No.:** **US D489,849 S**

(45) **Date of Patent:** **\*\* May 11, 2004**

(54) **HAND VACUUM**

(75) **Inventor:** **Sana Mok Sze Ki, Kowloon (HK)**

(73) **Assignee:** **One World Technologies, Limited, Hamilton (BM)**

(\*\*) **Term:** **14 Years**

(21) **Appl. No.:** **29/187,668**

(22) **Filed:** **Aug. 5, 2003**

**Related U.S. Application Data**

(62) Division of application No. 29/171,894, filed on Dec. 2, 2002, now Pat. No. Des. 483,533.

(51) **LOC (7) Cl.** ..... **15-05**

(52) **U.S. Cl.** ..... **D32/18**

(58) **Field of Search** ..... D32/17-18, 31-33, D32/25; 15/344, 329, 320-321

(56) **References Cited**

**U.S. PATENT DOCUMENTS**

D275,427 S	9/1984	Kishi et al. ....	D32/18
D287,893 S	1/1987	Fujii et al. ....	D32/21
4,803,341 A	2/1989	Barowski et al. ....	219/222
D354,168 S	1/1995	Hartwein ....	D4/108
D356,191 S	3/1995	Phelan ....	D32/18
5,410,775 A	5/1995	Frazier ....	15/338
D379,690 S	6/1997	Howell et al. ....	D32/18
D387,516 S	12/1997	Murray et al. ....	D32/18
D400,165 S	10/1998	Nagele et al. ....	D13/108
D401,021 S	11/1998	Stephens et al. ....	D32/18
D404,857 S	* 1/1999	Ng ....	D32/18
D418,262 S	* 12/1999	Yuen ....	D32/18
D421,671 S	3/2000	Thomas et al. ....	D32/18

D440,719 S	4/2001	Stratford .....	D32/18
D441,926 S	* 5/2001	Stratford .....	D32/18
D448,894 S	* 10/2001	Yuen .....	D32/18
D453,731 S	2/2002	Hauptli .....	D13/108

\* cited by examiner

*Primary Examiner*—Ruth McInroy

(74) *Attorney, Agent, or Firm*—John B. Hardaway, III; Nexsen Pruet, LLC

(57) **CLAIM**

The ornamental design for a hand vacuum, as shown and described.

**DESCRIPTION**

FIG. 1 is a front perspective view of a hand vacuum showing my new design;

FIG. 2 is a rear perspective view thereof;

FIG. 3 is a right side elevational view thereof;

FIG. 4 is a left side elevational view thereof;

FIG. 5 is a front end view thereof;

FIG. 6 is a rear end view thereof;

FIG. 7 is a top view thereof;

FIG. 8 is a bottom view thereof;

FIG. 9 is a second embodiment thereof;

FIG. 10 is a rear perspective view thereof;

FIG. 11 is a right side elevational view thereof;

FIG. 12 is a left side elevational view thereof;

FIG. 13 is a front end view thereof;

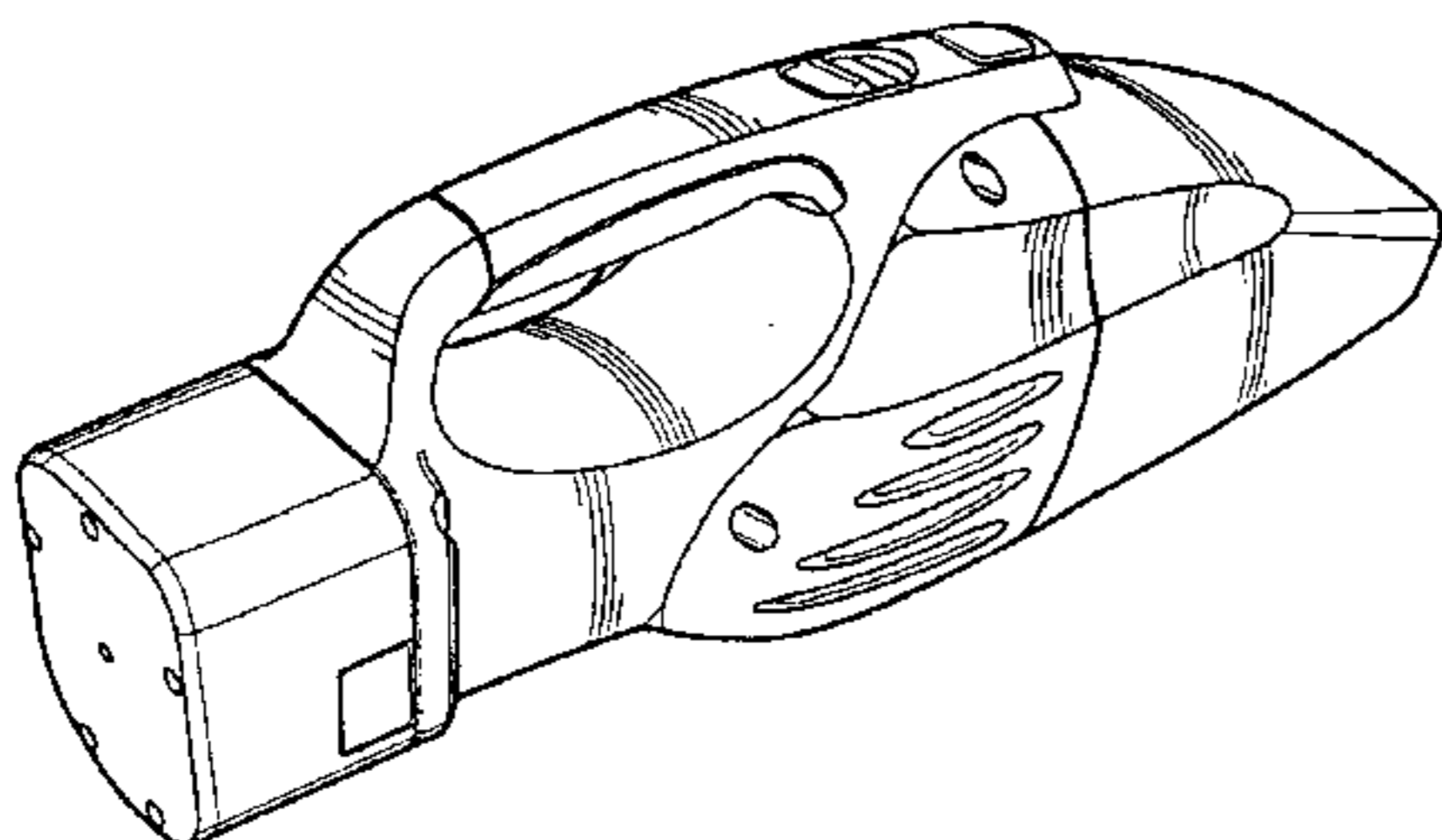
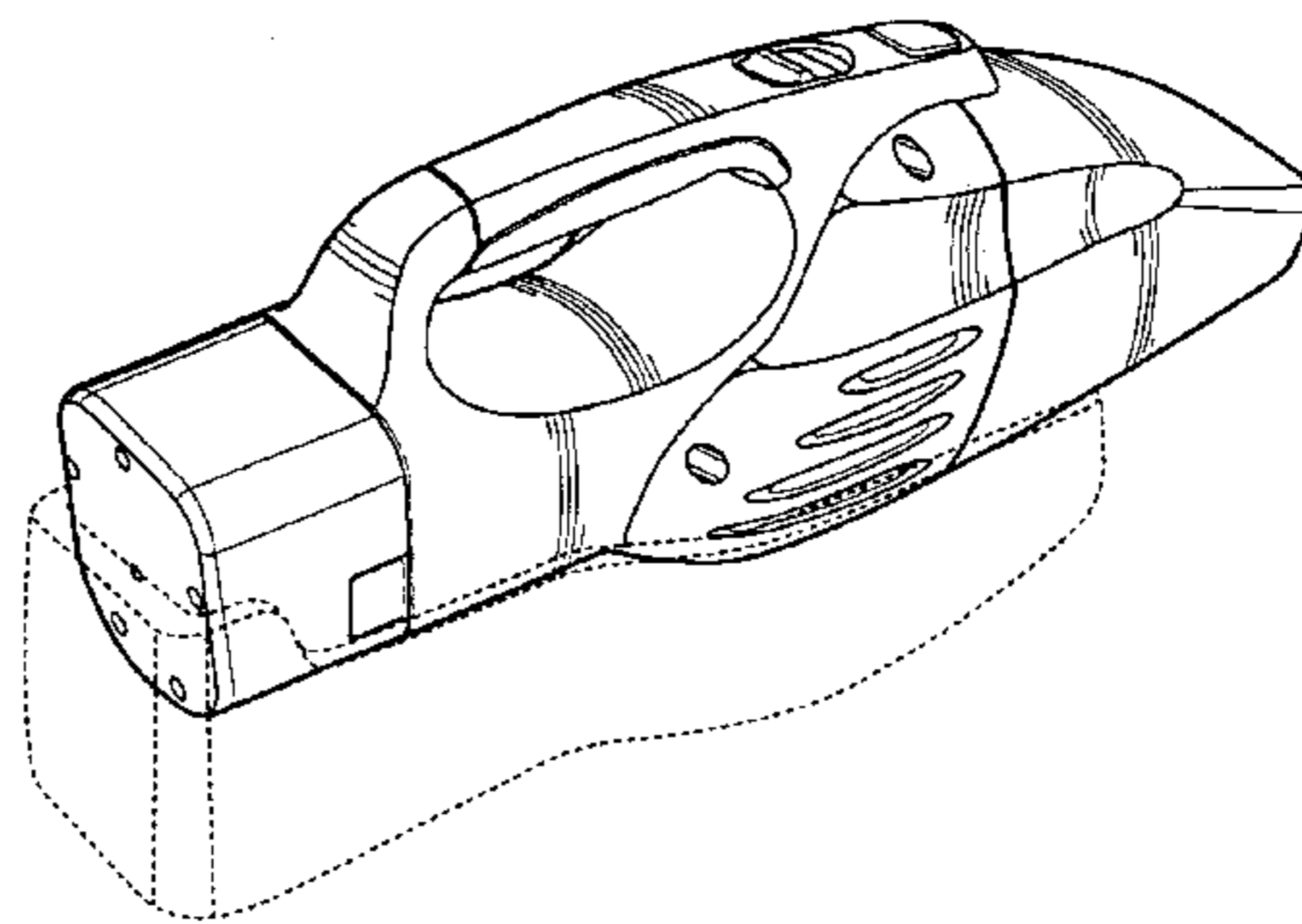
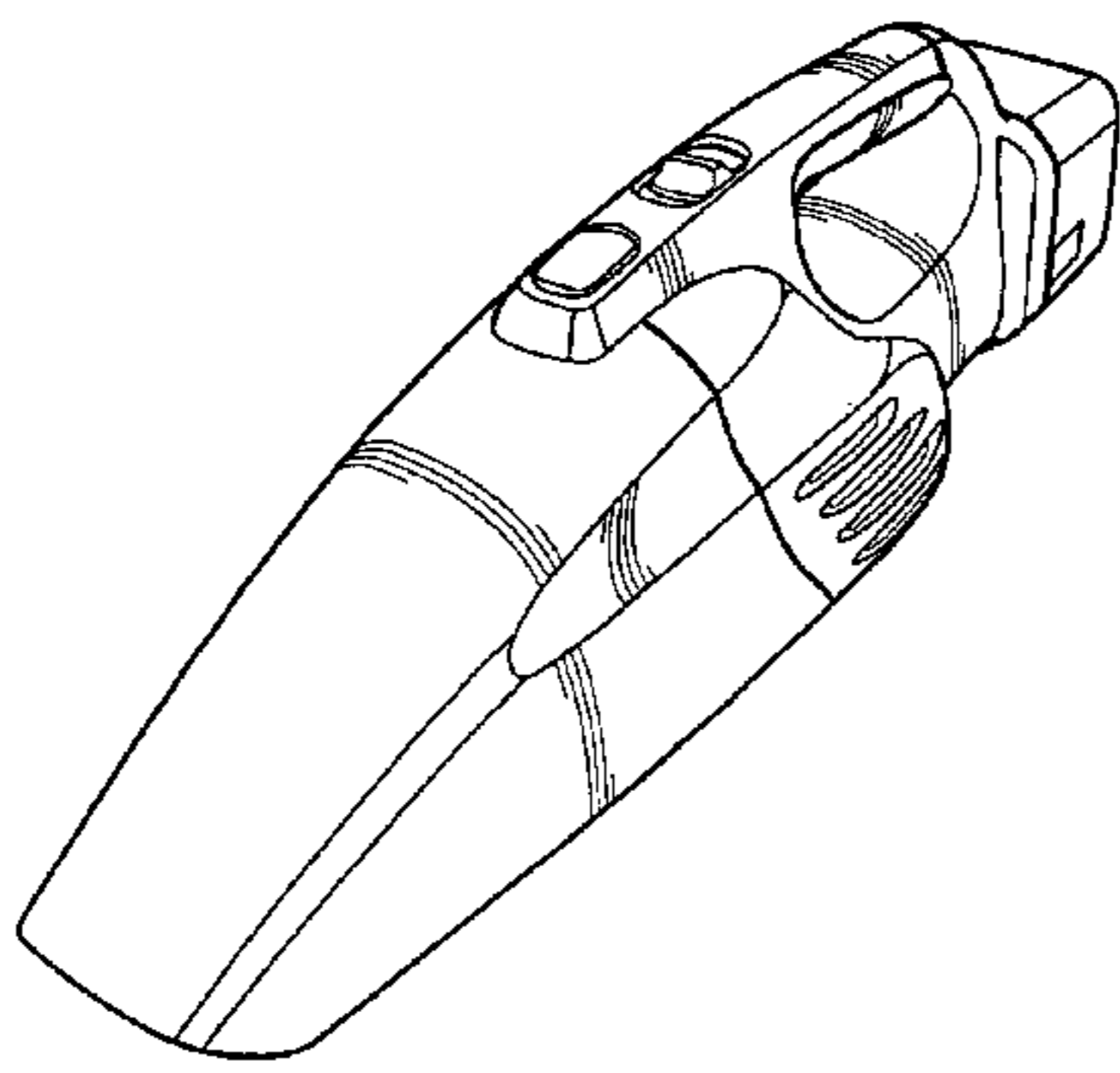
FIG. 14 is a rear end view thereof;

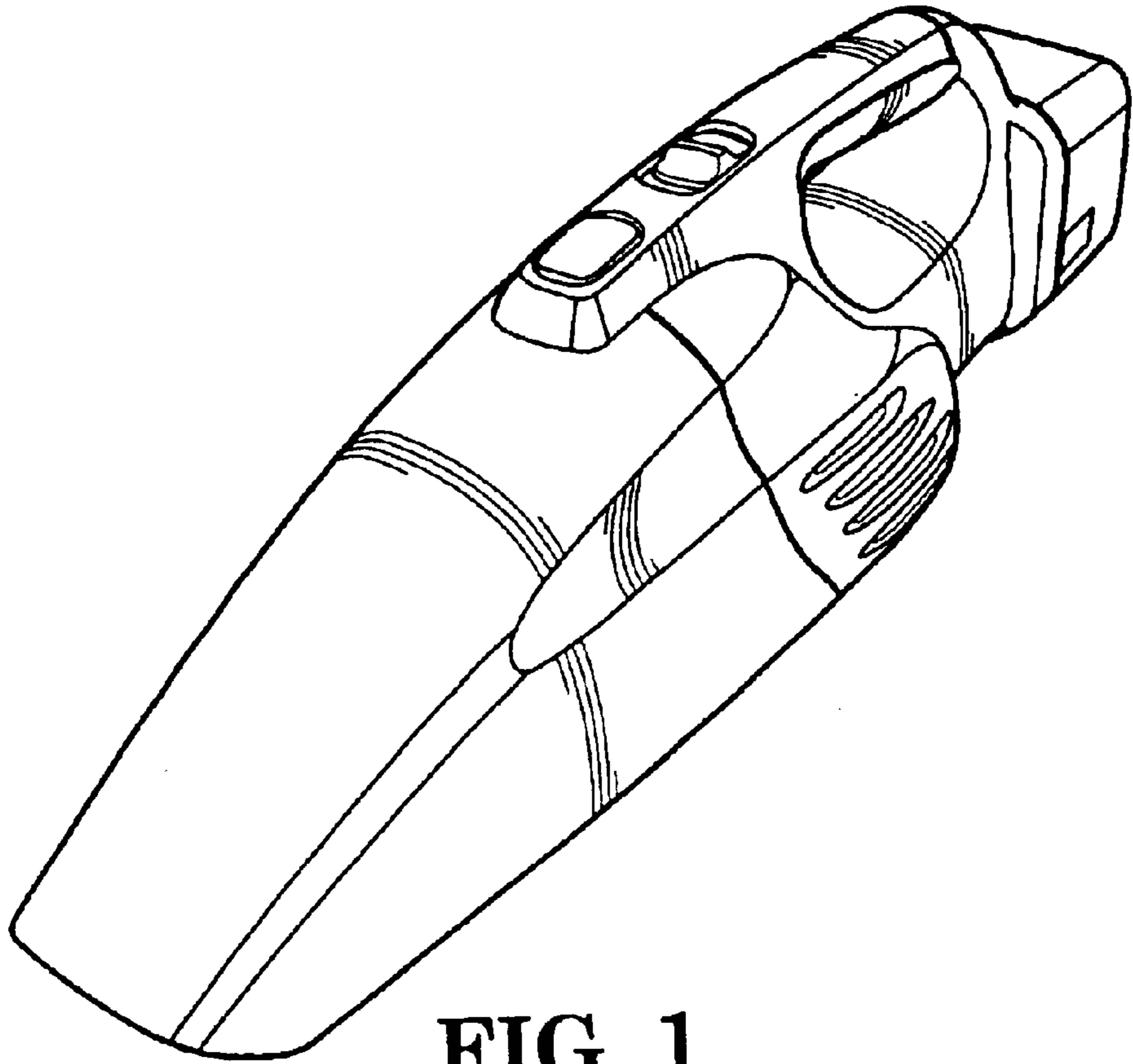
FIG. 15 is a top view thereof; and,

FIG. 16 is a bottom view thereof.

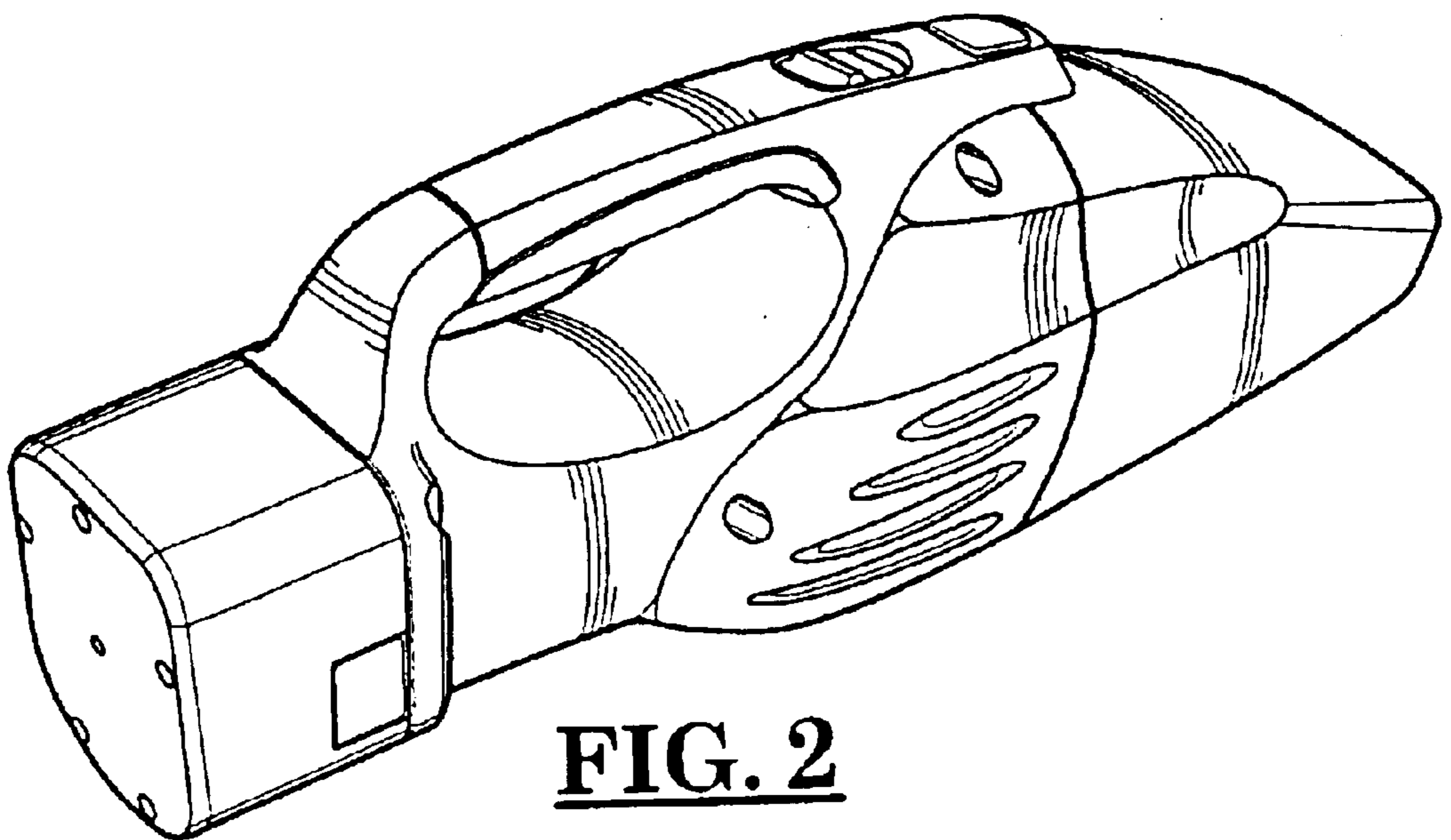
The broken line shown in FIG. 10 is for illustrative purposes only and forms no part of the claimed design.

**1 Claim, 6 Drawing Sheets**

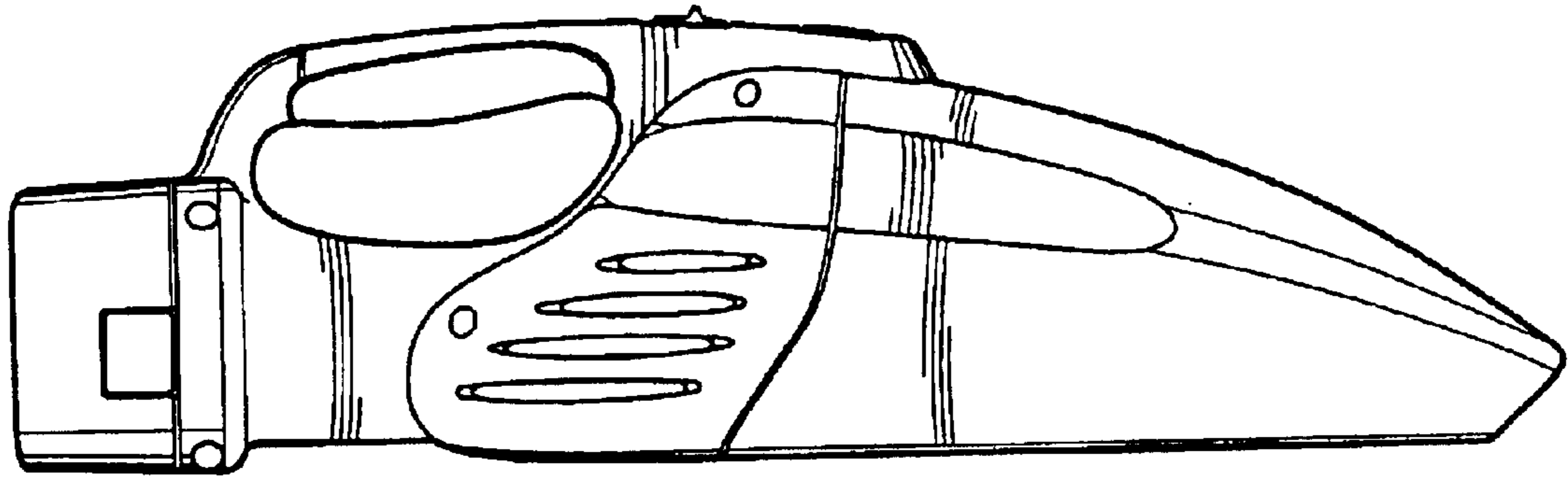




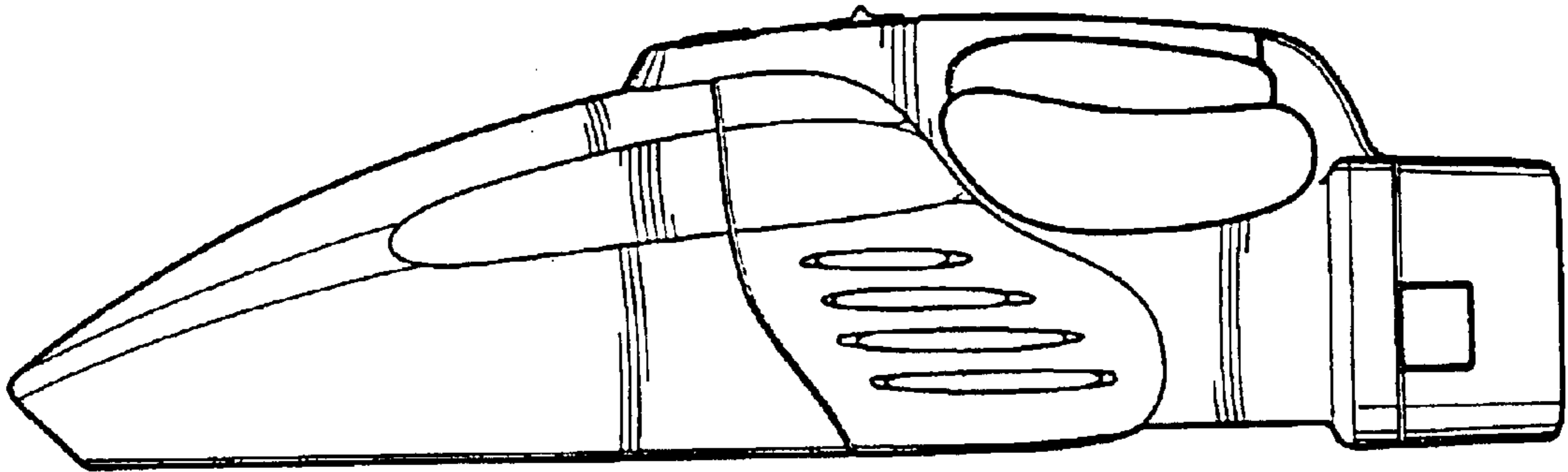
**FIG. 1**



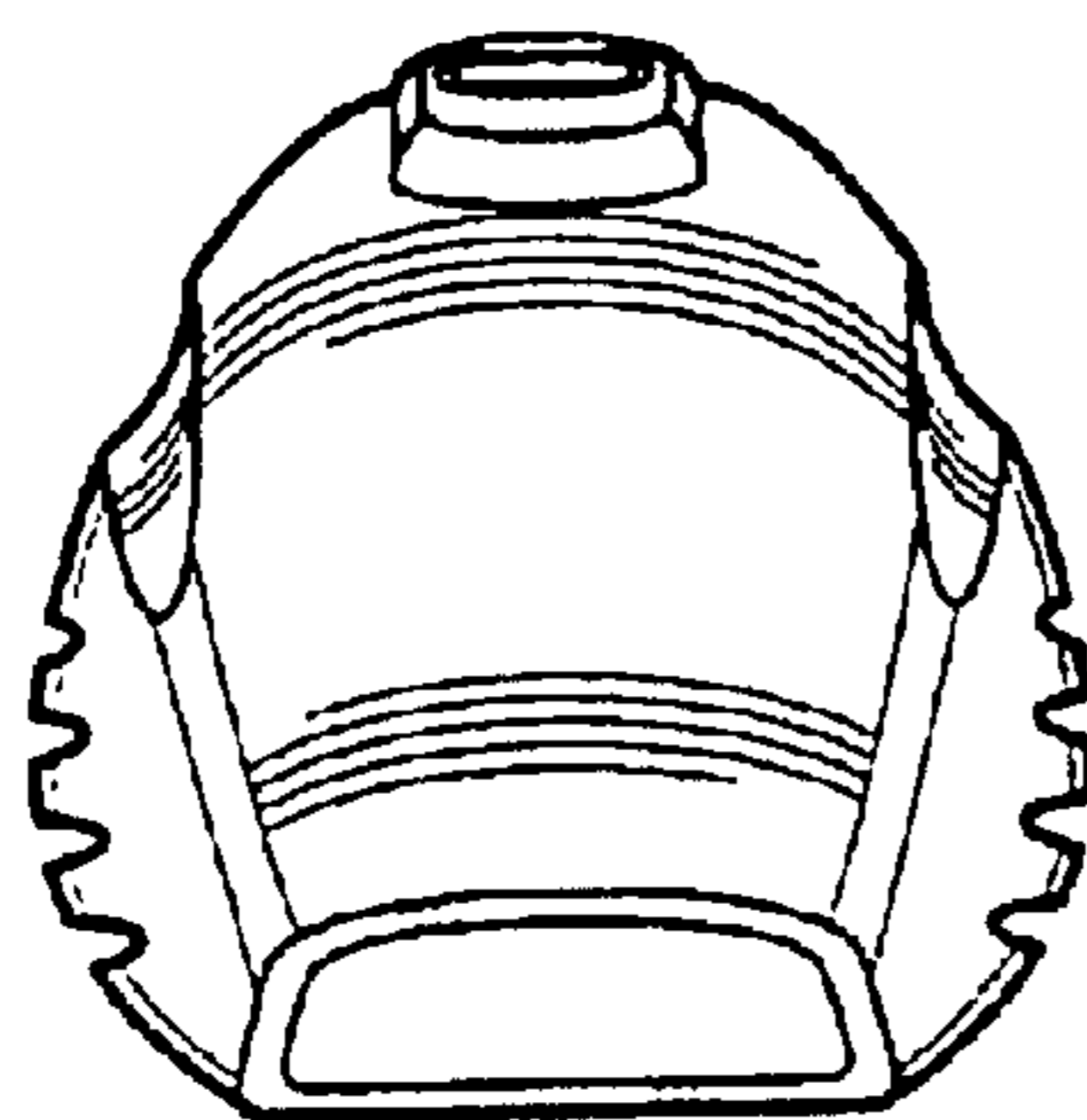
**FIG. 2**



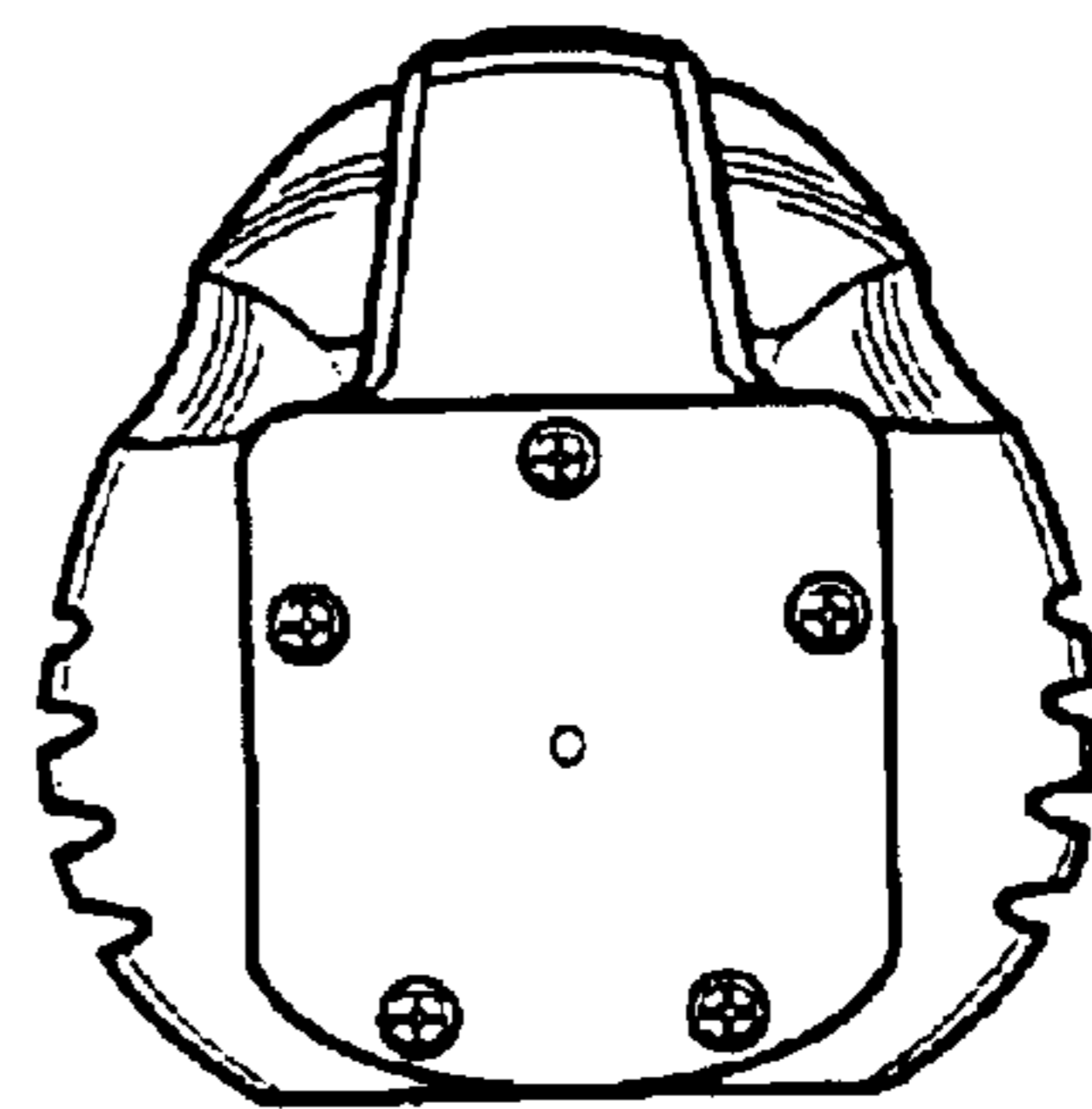
**FIG. 3**



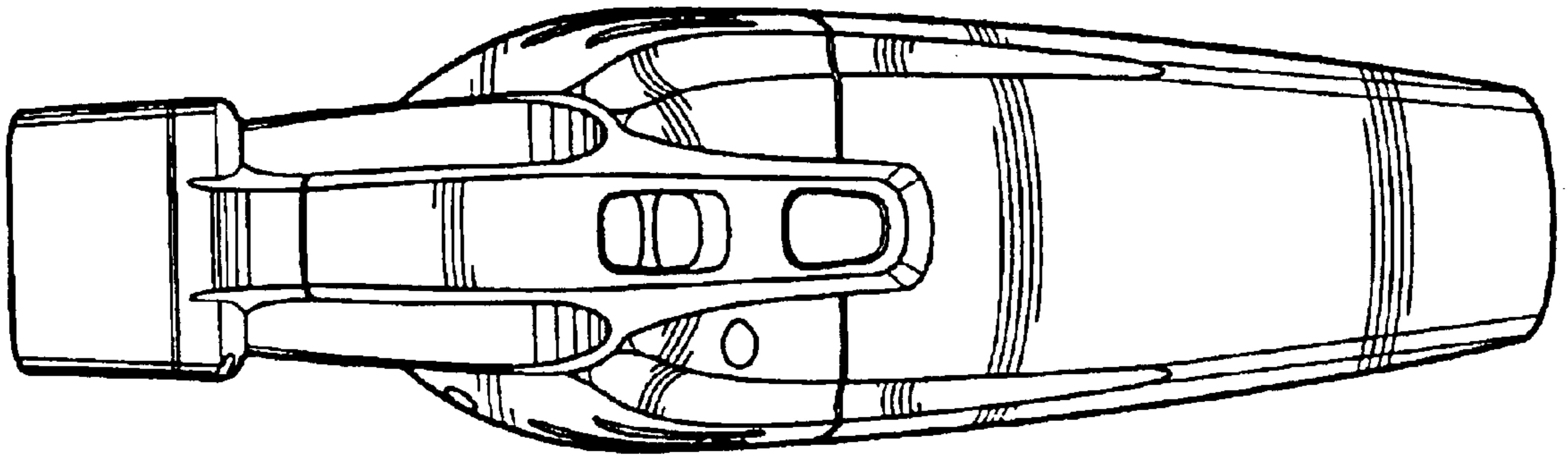
**FIG. 4**



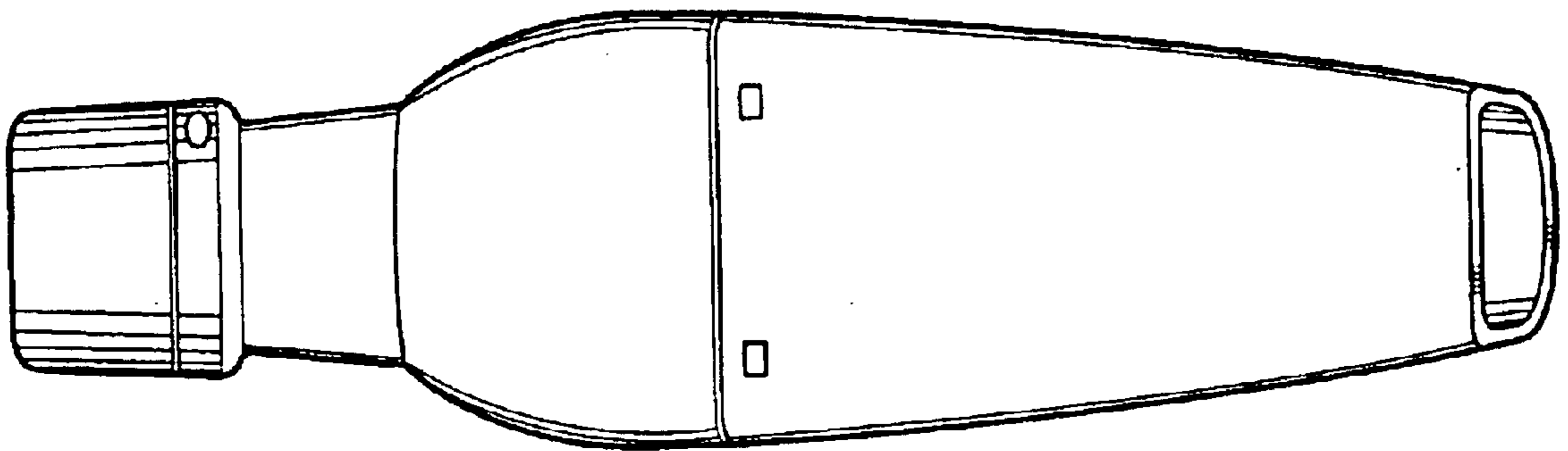
**FIG. 5**



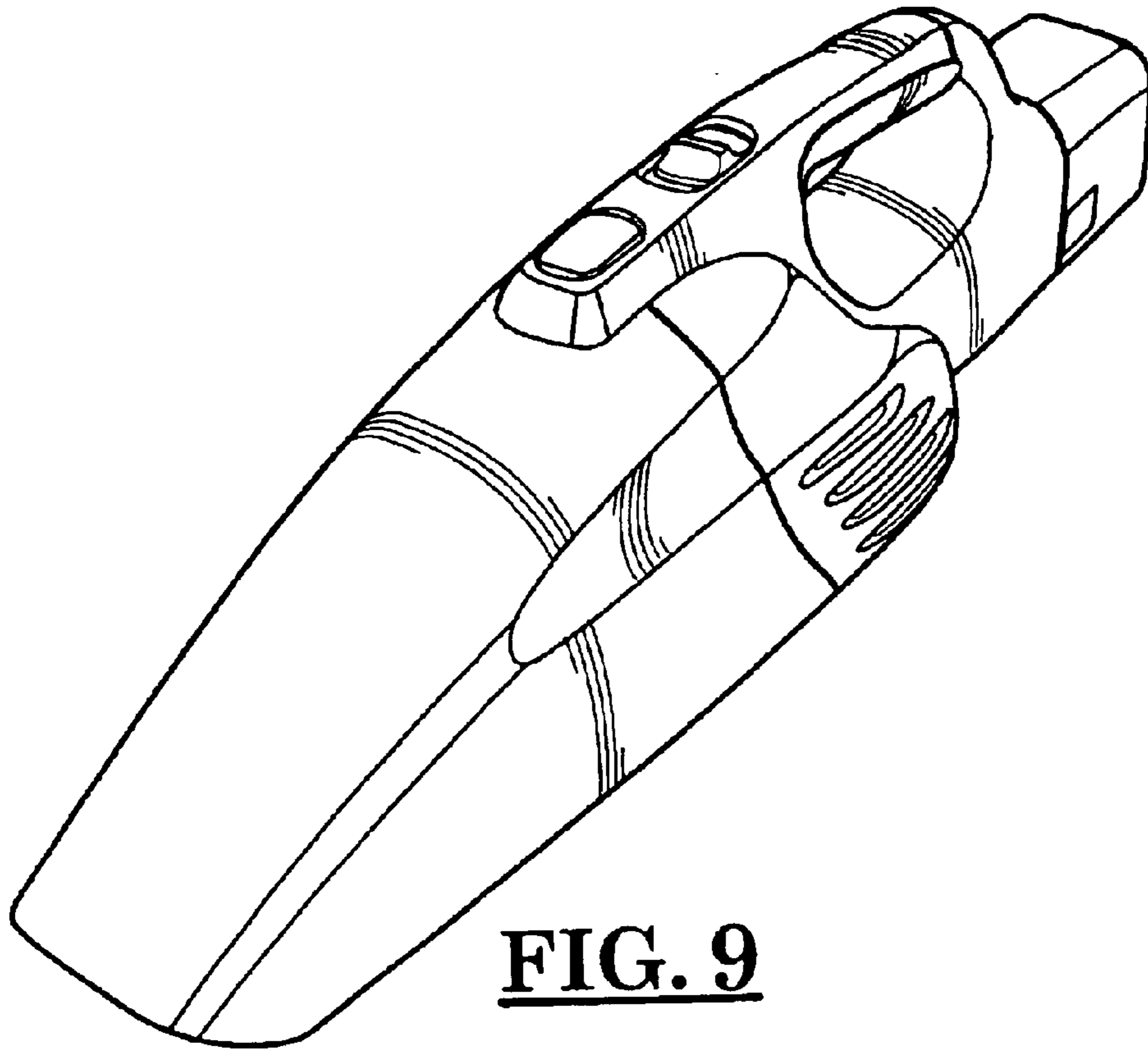
**FIG. 6**



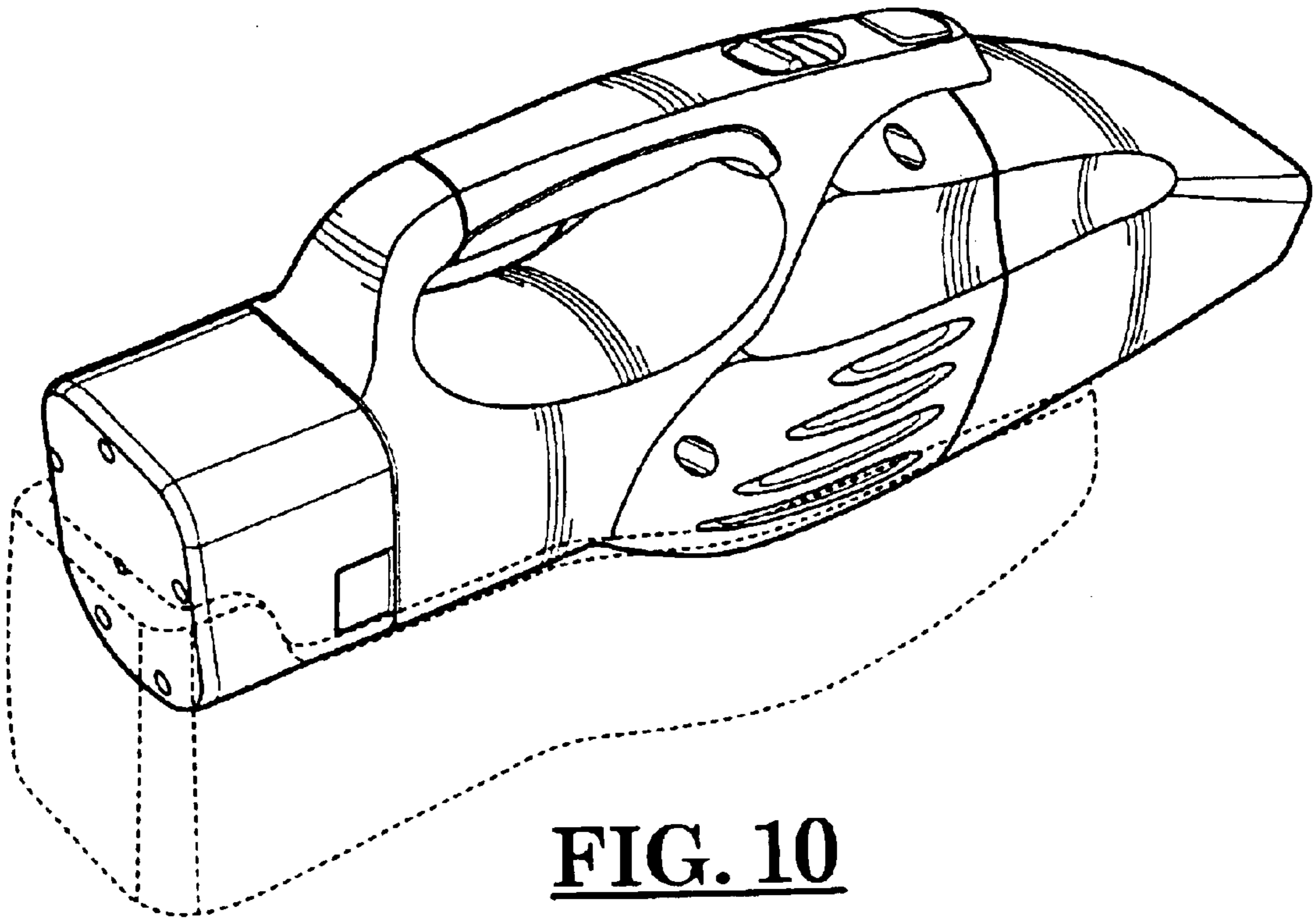
**FIG. 7**



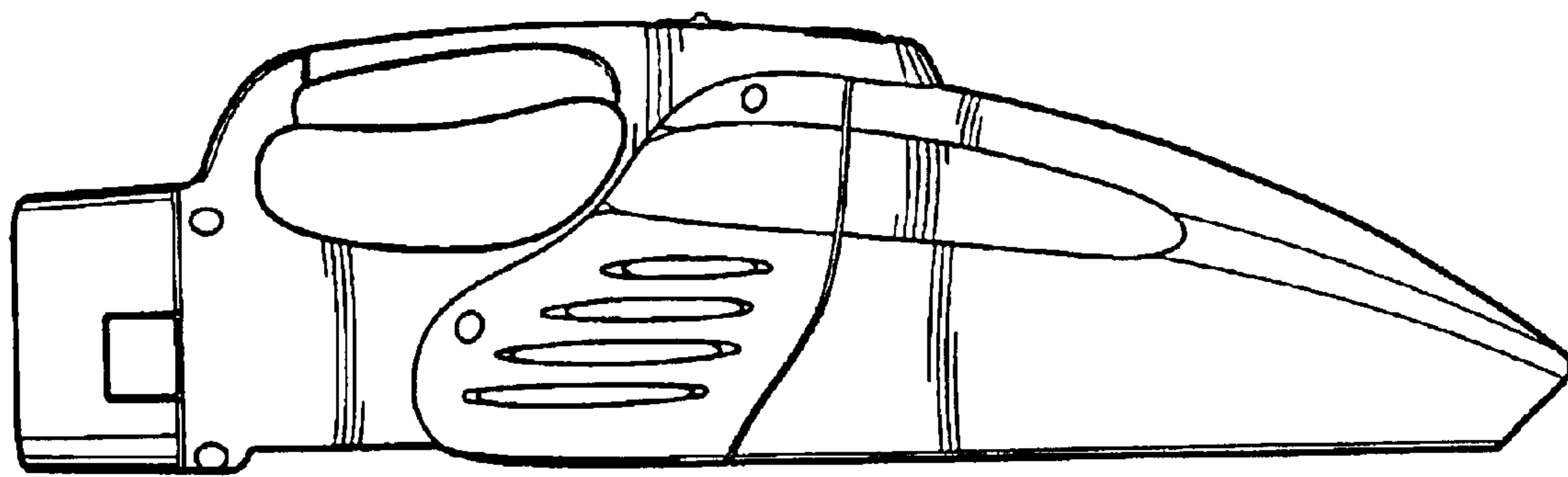
**FIG. 8**



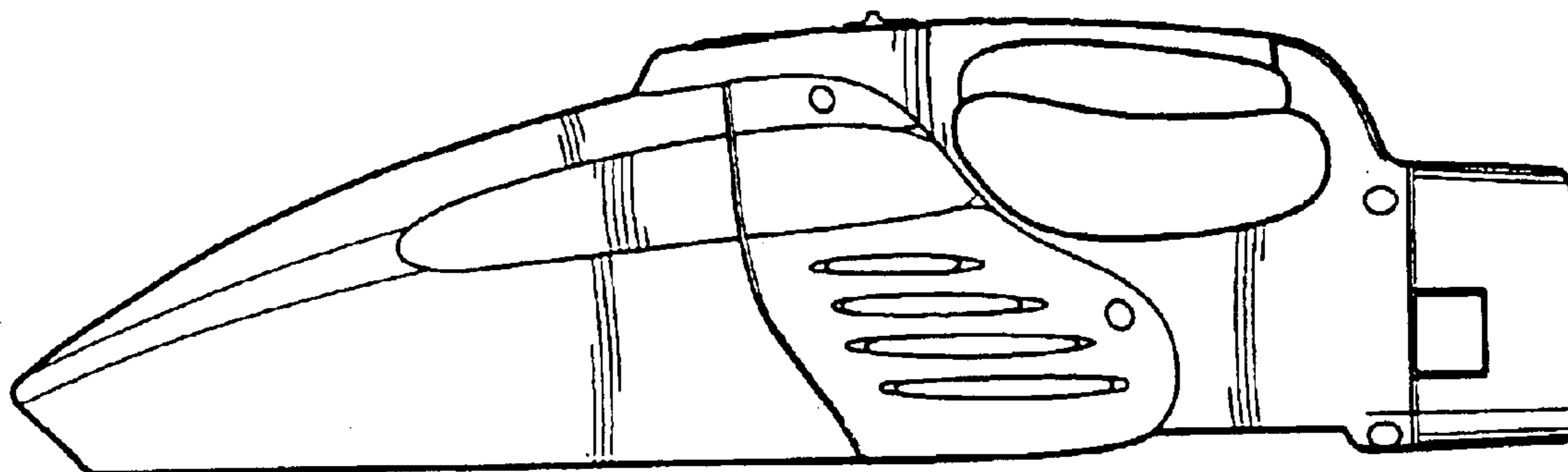
**FIG. 9**



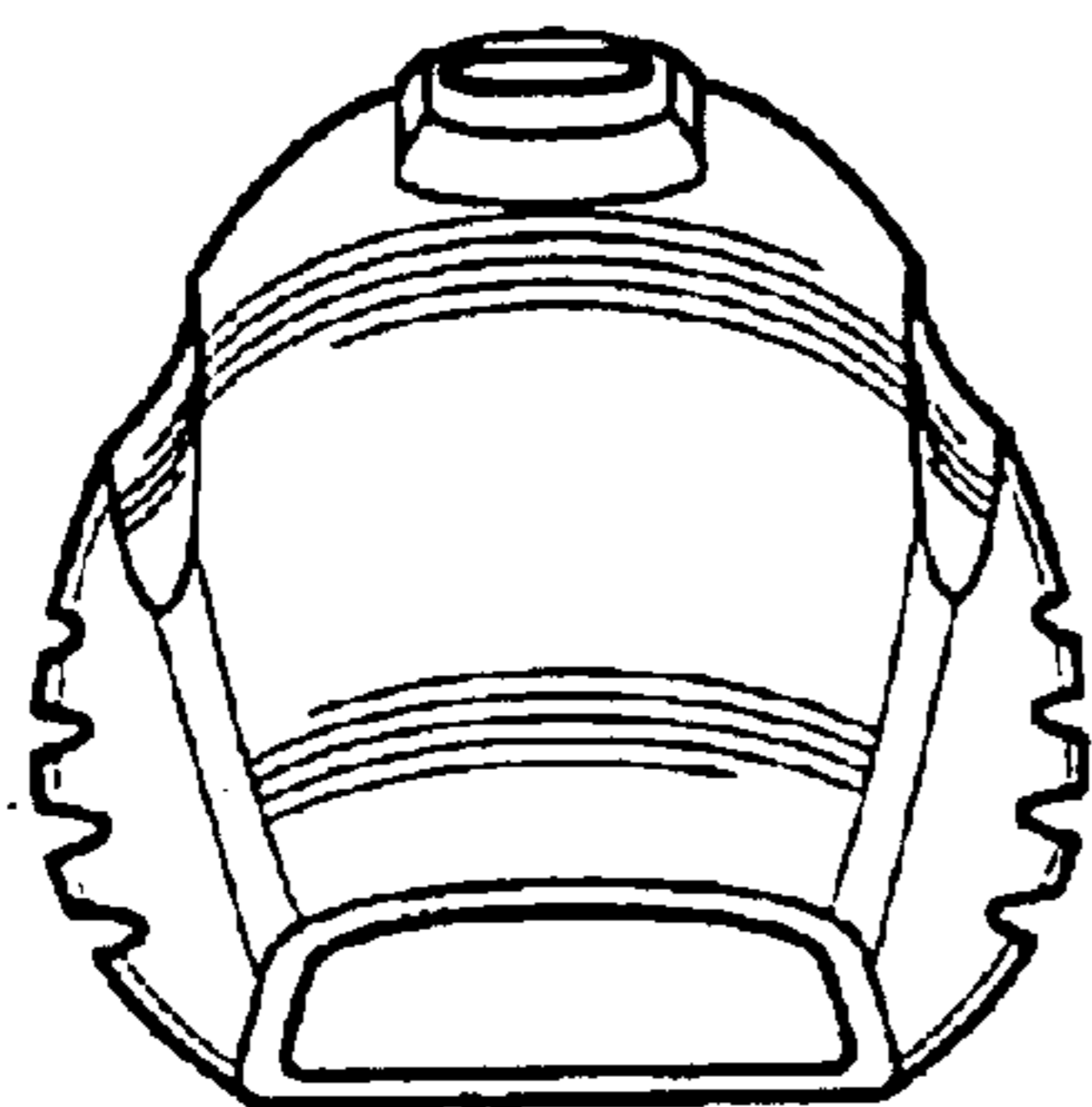
**FIG. 10**



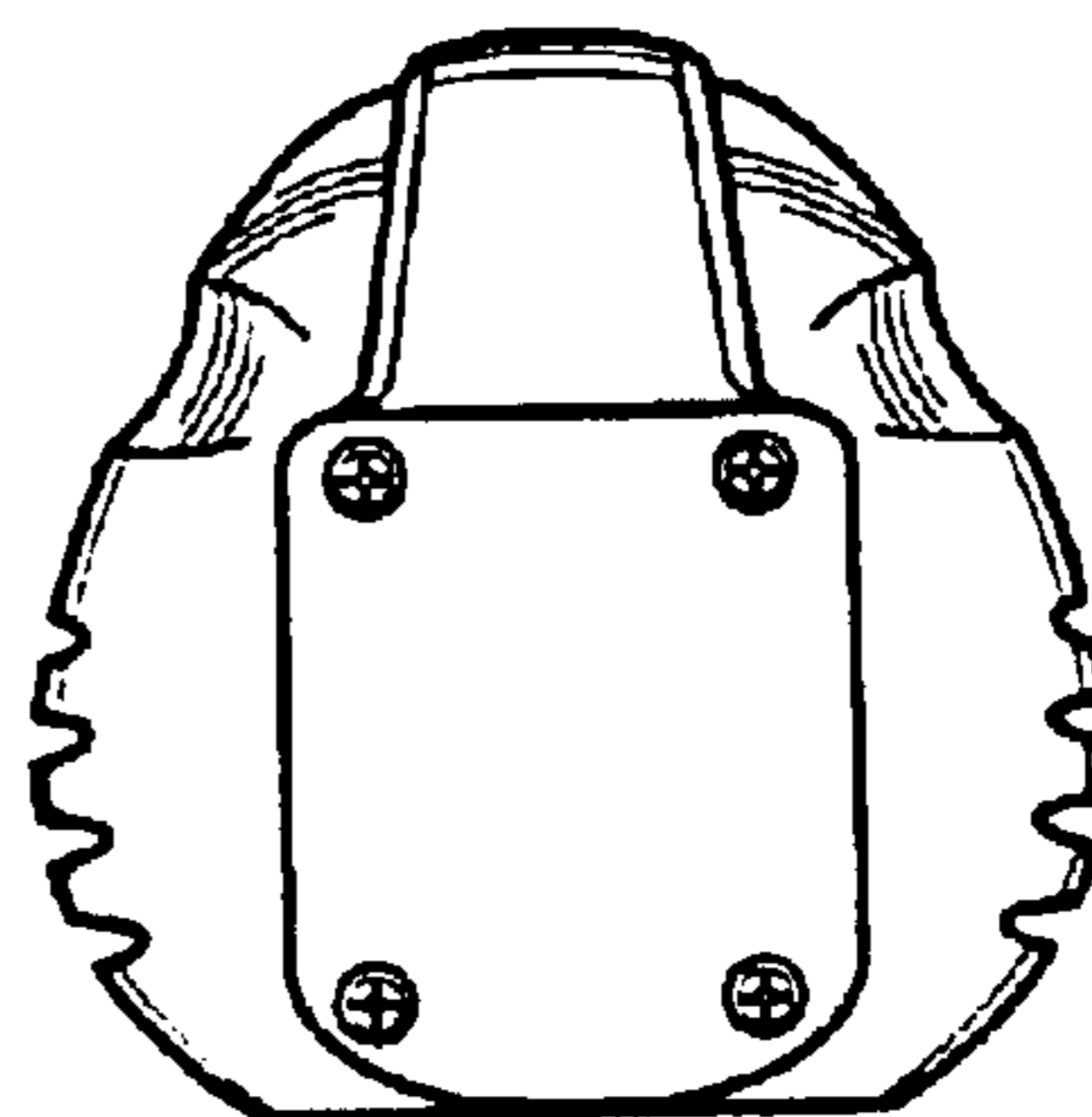
**FIG. 11**



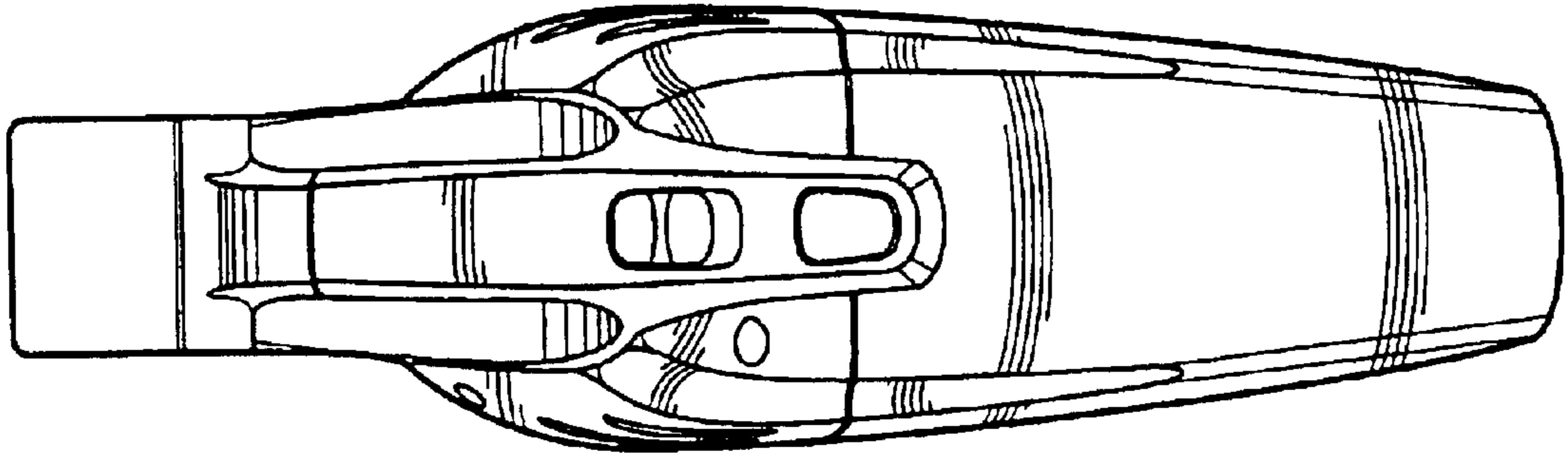
**FIG. 12**



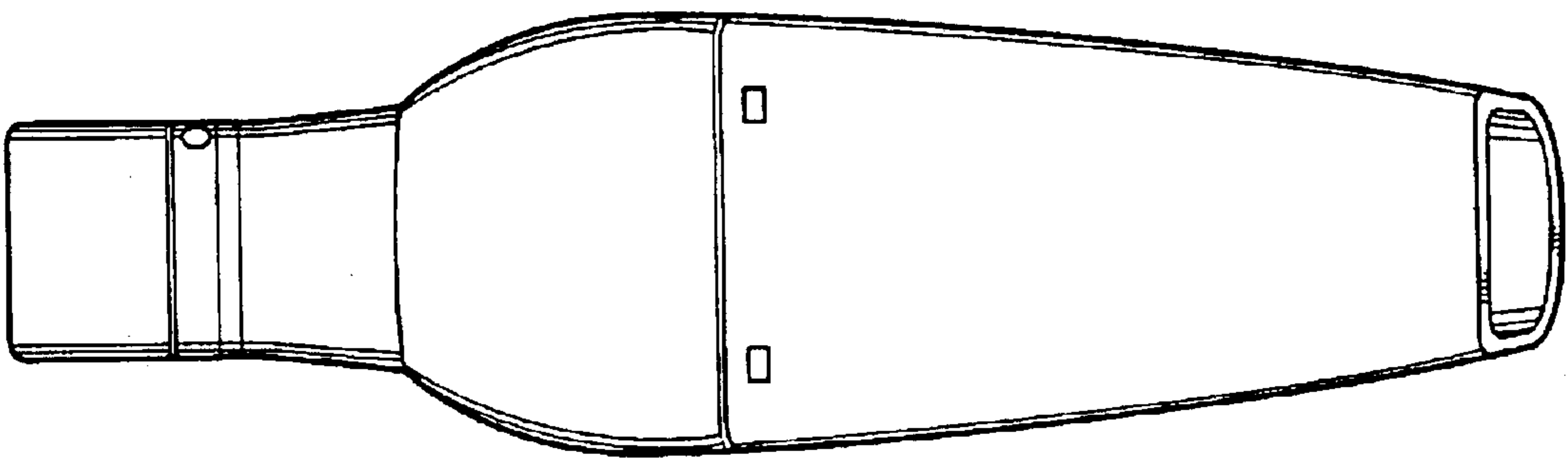
**FIG. 13**



**FIG. 14**



**FIG. 15**



**FIG. 16**