



US00D489841S

(12) **United States Design Patent**  
**West**

(10) **Patent No.:** **US D489,841 S**

(45) **Date of Patent:** **\*\* May 11, 2004**

(54) **BLOW DRYER HOLDER**

(76) Inventor: **Jennifer West**, P.O. Box 3396, Culver City, CA (US) 90231

(\*\*) Term: **14 Years**

(21) Appl. No.: **29/173,809**

(22) Filed: **Jan. 8, 2003**

(51) **LOC (7) Cl.** ..... **28-03**

(52) **U.S. Cl.** ..... **D28/18; D28/73**

(58) **Field of Search** ..... **D28/17, 18, 73; 392/382, 380; 34/96-101, 90; D6/524, 526; 248/176.1, 176.2, 121, 316.1, 316.7, 122.1, 125.7, 124.2**

(56) **References Cited**

**U.S. PATENT DOCUMENTS**

|           |   |   |         |         |       |           |
|-----------|---|---|---------|---------|-------|-----------|
| 1,394,070 | A | * | 10/1921 | Diffany | ..... | 248/158   |
| D147,771  | S | * | 10/1947 | Wallack | ..... | D6/524    |
| 4,278,223 | A | * | 7/1981  | Fauteux | ..... | 248/125.8 |
| 4,377,268 | A | * | 3/1983  | Wolford | ..... | 248/176.1 |
| 5,064,154 | A | * | 11/1991 | Payne   | ..... | 248/121   |
| 5,613,305 | A | * | 3/1997  | Narrin  | ..... | 34/90     |

|           |    |   |         |                 |       |           |
|-----------|----|---|---------|-----------------|-------|-----------|
| 5,636,815 | A  | * | 6/1997  | Wilson          | ..... | 248/125.9 |
| 5,842,670 | A  | * | 12/1998 | Nigoghosian     | ..... | 248/160   |
| D425,255  | S  | * | 5/2000  | Chen            | ..... | D28/73    |
| 6,390,424 | B1 | * | 5/2002  | Kidushim et al. | ..... | 248/122.1 |

\* cited by examiner

*Primary Examiner*—Lucy Lieberman

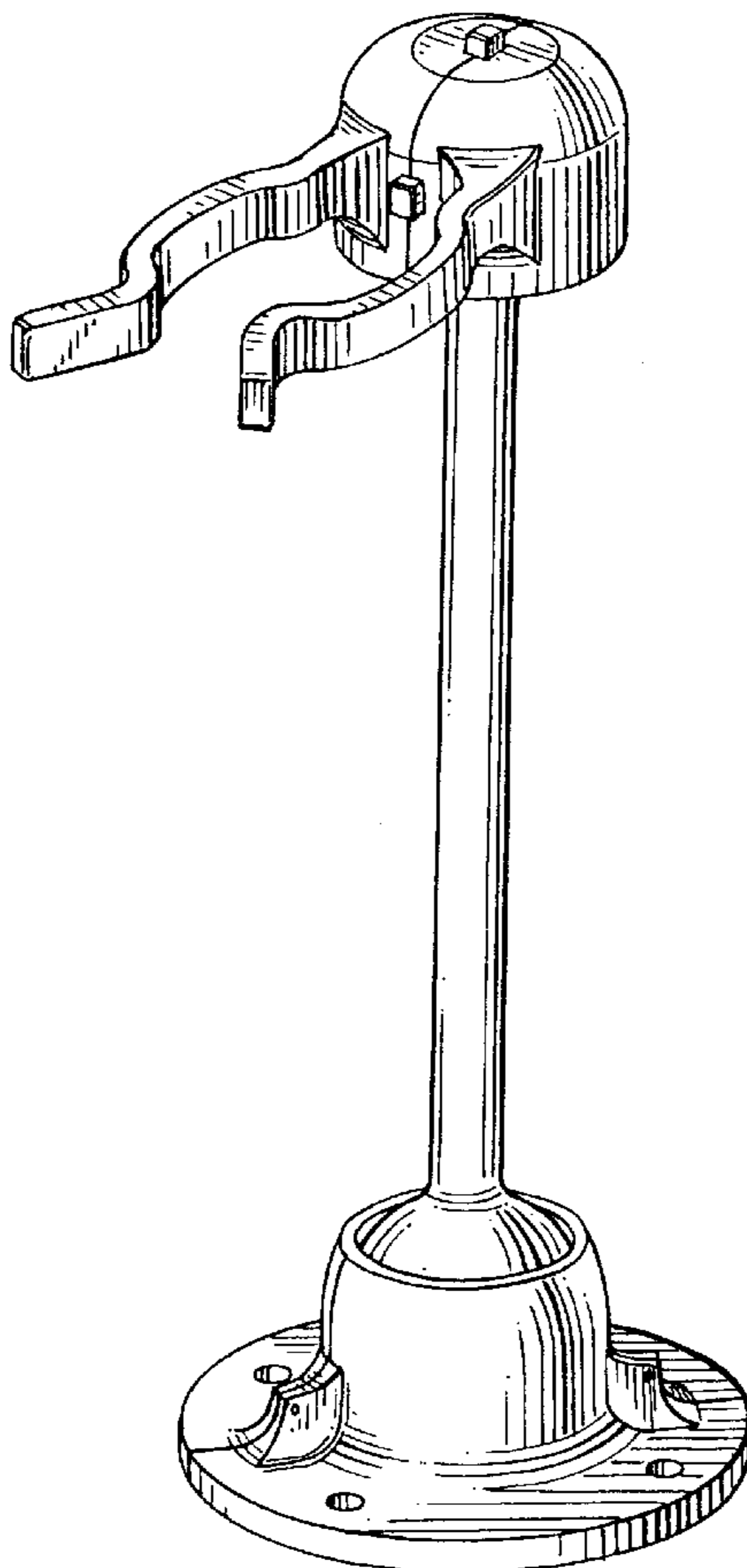
(57) **CLAIM**

The ornamental design for a blow dryer holder, as substantially shown and described.

**DESCRIPTION**

FIG. 1 is a front elevational view of a blow dryer holder; FIG. 2 is a side elevation as seen from the right side of FIG. 1; FIG. 3 is a rear elevation thereof; FIG. 4 is a side elevation as seen from the left side of FIG. 1; FIG. 5 is top plan view thereof; FIG. 6 is a bottom plan view of the blow dryer holder shown on an enlarged scale; and, FIG. 7 is a perspective view of the blow dryer holder.

**1 Claim, 2 Drawing Sheets**



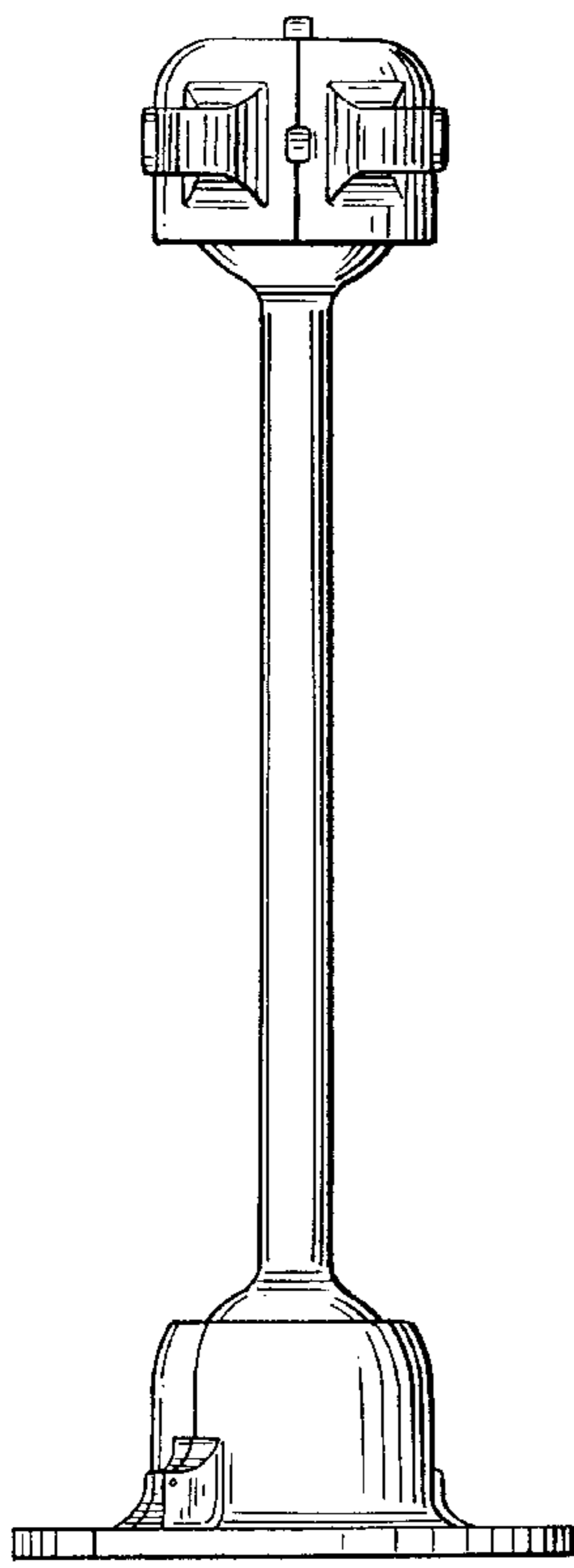


FIG. 1

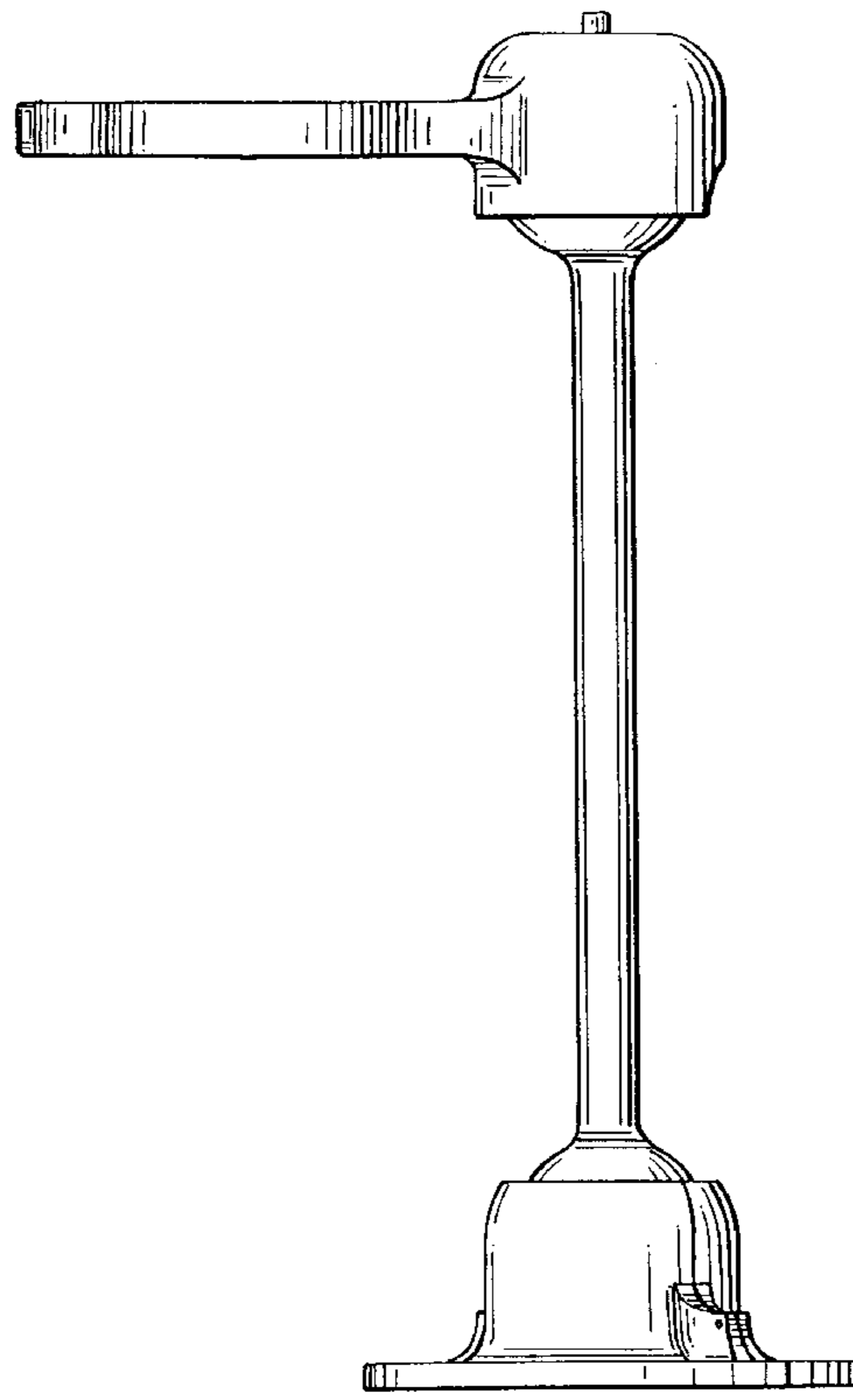


FIG. 2

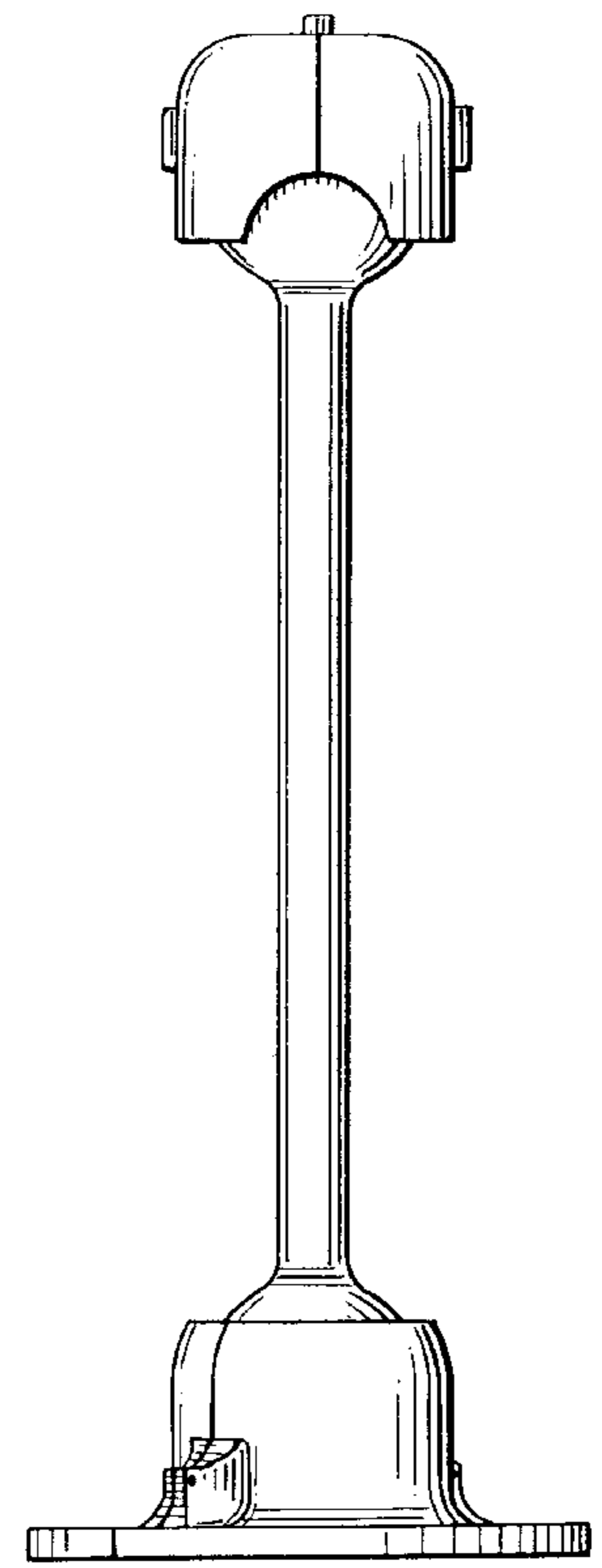


FIG. 3

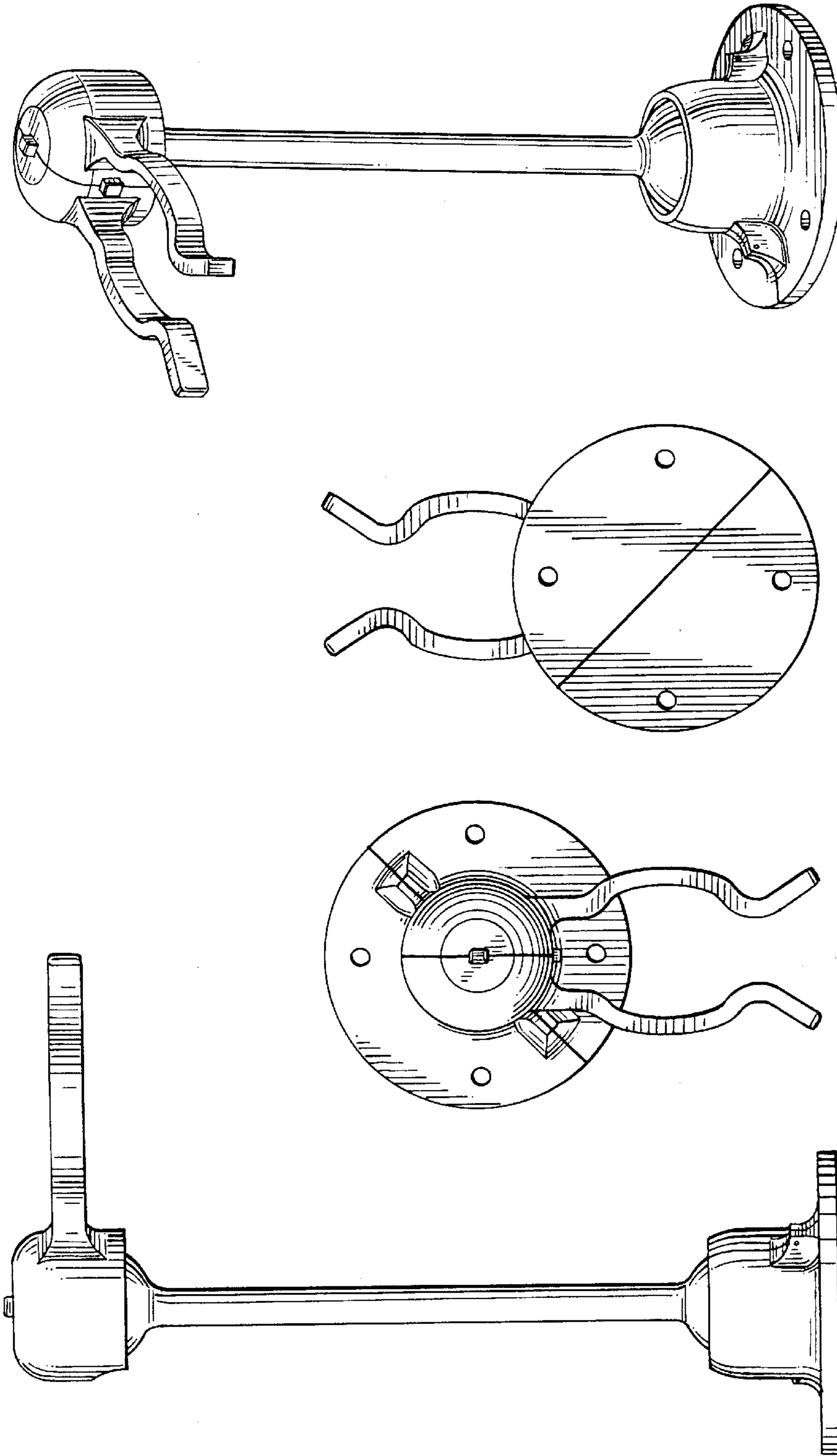


FIG. 7

FIG. 6

FIG. 5

FIG. 4