



US00D489840S

(12) **United States Design Patent**
Liao

(10) **Patent No.:** **US D489,840 S**

(45) **Date of Patent:** **** May 11, 2004**

(54) **LAMP HOUSING FOR ELECTRONIC LAMP AND MOTION LAMP**

(76) **Inventor:** **Frank Huzi Jung Liao**, 1295 S. Johnson Dr., City of Industry, CA (US) 91745

(**) **Term:** **14 Years**

(21) **Appl. No.:** **29/168,237**

(22) **Filed:** **Sep. 30, 2002**

(51) **LOC (7) Cl.** **26-03**

(52) **U.S. Cl.** **D26/104**

(58) **Field of Search** D26/93-112; 362/410-414, 362/806, 811, 96, 101, 362, 363

(56) **References Cited**

U.S. PATENT DOCUMENTS

5,860,732 A * 1/1999 Coleman et al. 362/96 X
D437,965 S * 2/2001 Diviak, Sr. D26/104
D450,877 S * 11/2001 Marino et al. D26/104

OTHER PUBLICATIONS

Taiwan Lighting May 1999, Rocket Lamps on p. 109.*

* cited by examiner

Primary Examiner—Alan P. Douglas

Assistant Examiner—Linda Brooks

(74) *Attorney, Agent, or Firm*—Raymond Y. Chan; David and Raymond Patent Group

(57) **CLAIM**

The ornamental design for a lamp housing for electronic lamp and motion lamp, as shown.

DESCRIPTION

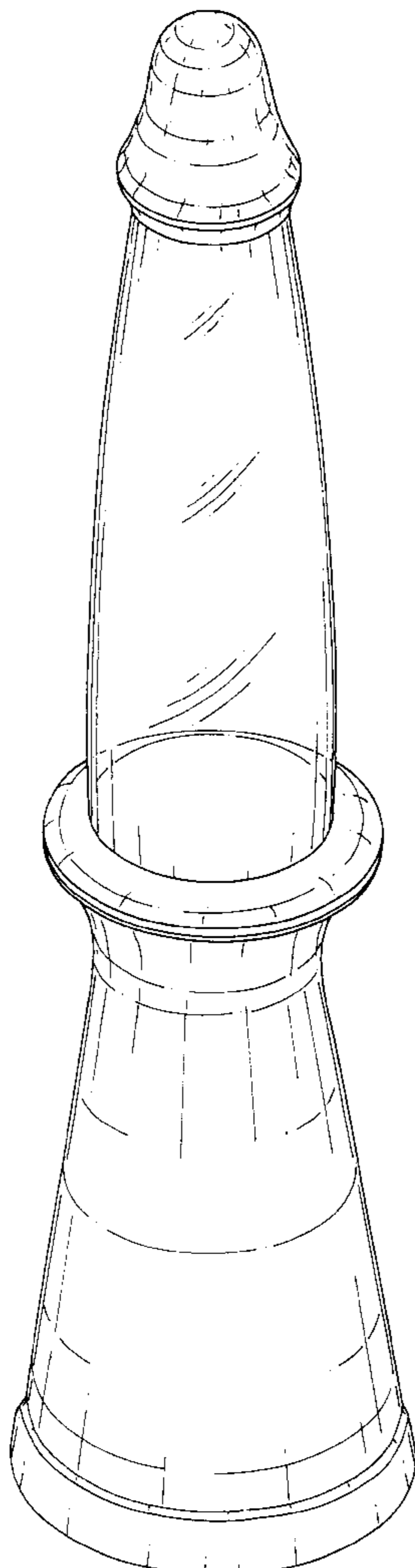
FIG. 1 is a perspective view showing my new design.

FIG. 2 is a front view, back view, left side view, and right view.

FIG. 3 is a top view thereof; and,

FIG. 4 is a bottom view thereof.

1 Claim, 4 Drawing Sheets



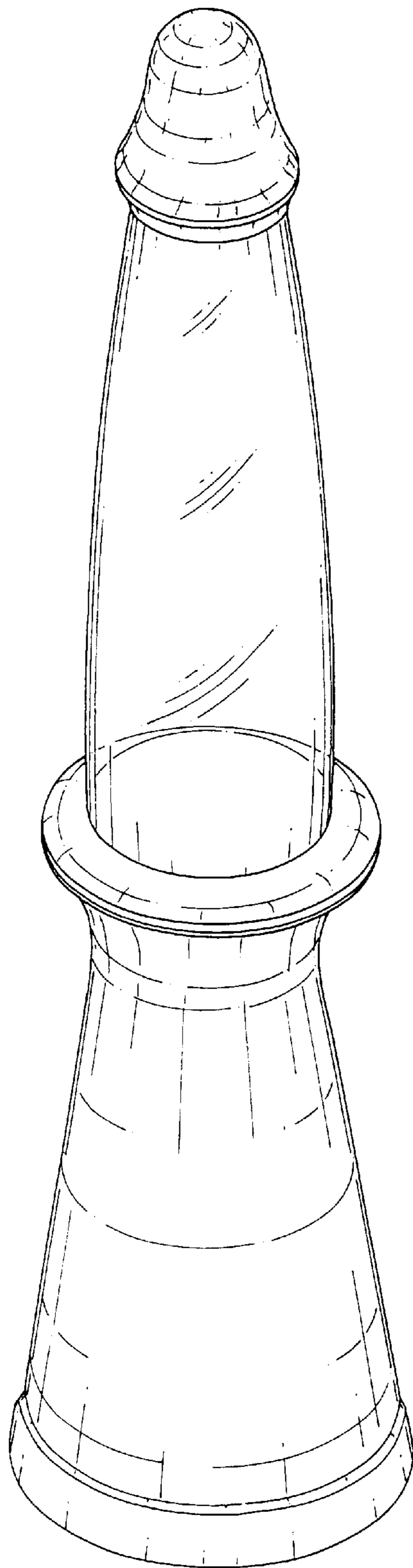


FIG. 1

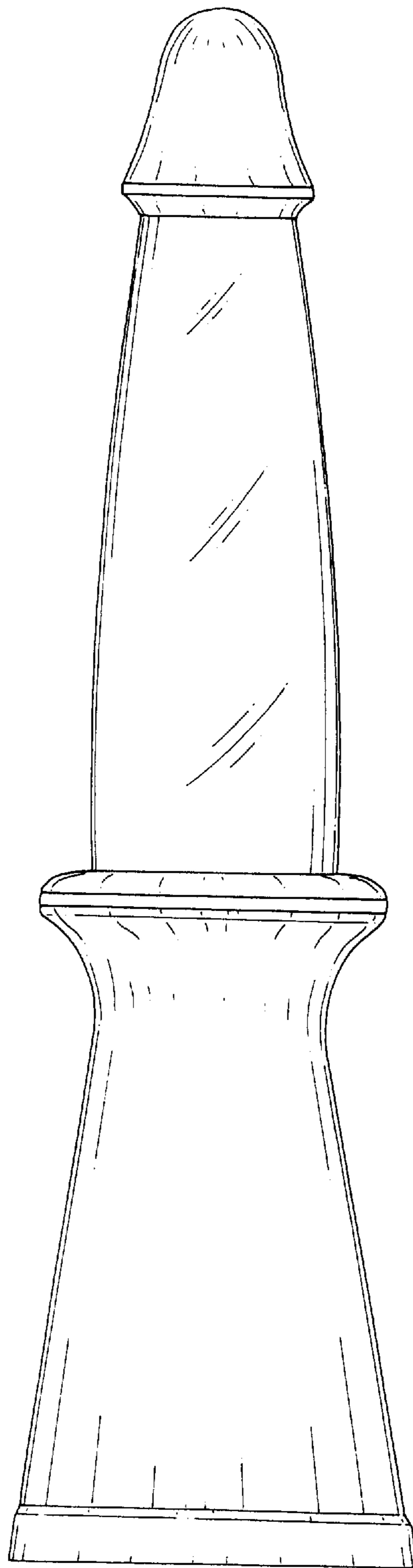


FIG. 2

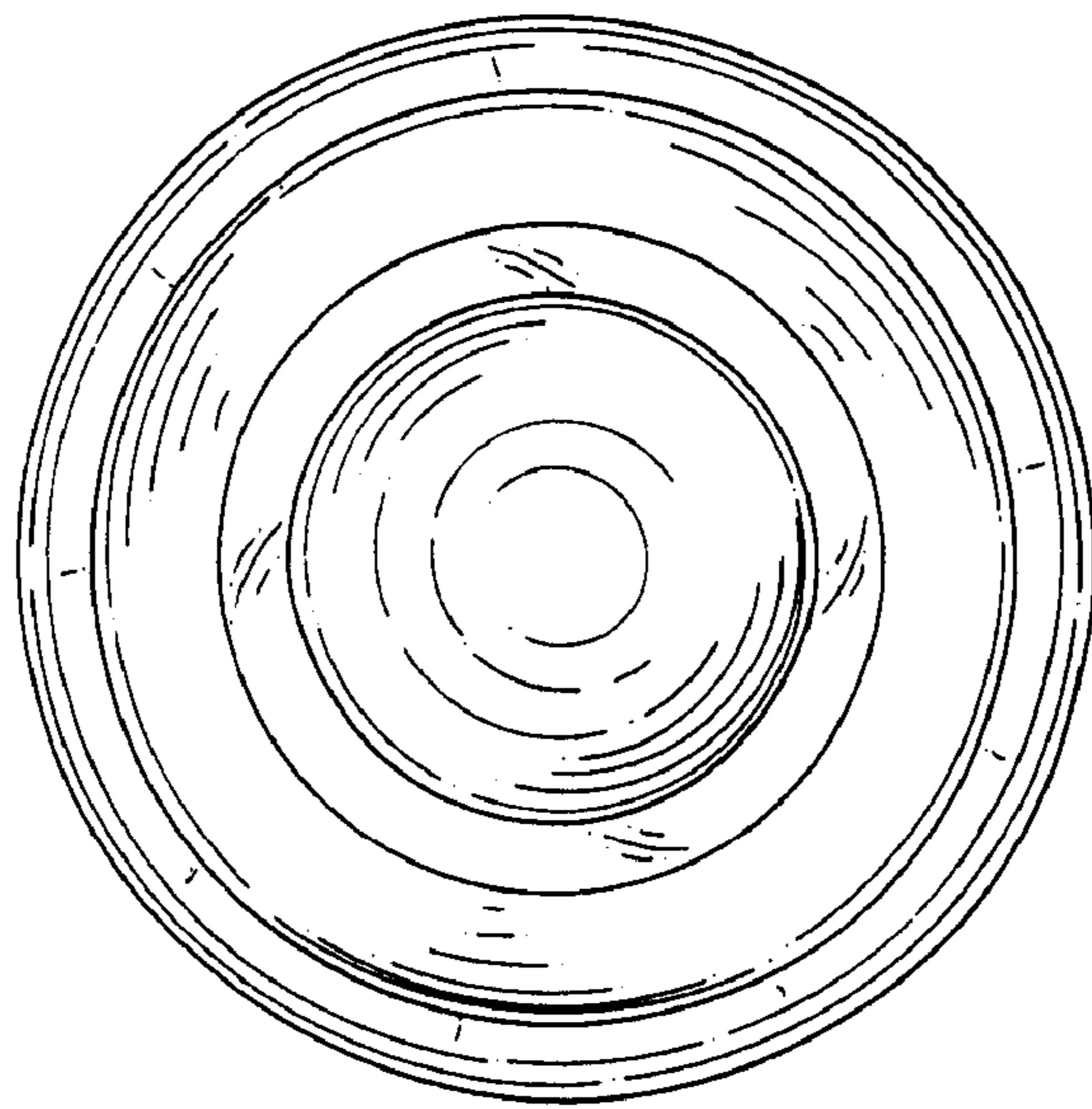


FIG. 3

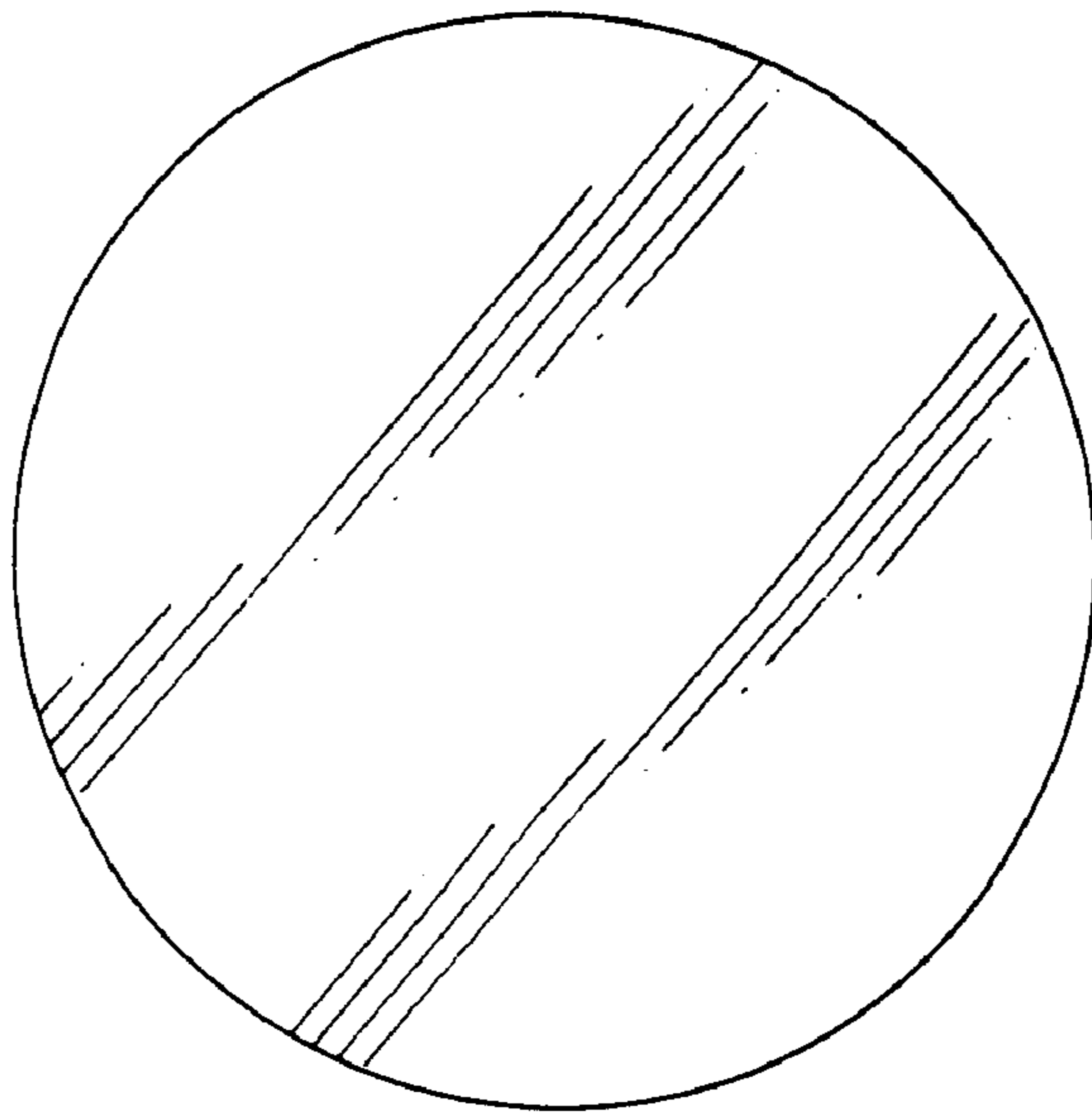


FIG. 4