



US00D489838S

(12) **United States Design Patent**  
**Opolka**

(10) **Patent No.:** **US D489,838 S**

(45) **Date of Patent:** **\*\* May 11, 2004**

(54) **HEAD-BAND LAMP**

(75) **Inventor:** **Rainer Opolka**, Solingen (DE)

(73) **Assignee:** **Zweibruder Optoelectronics GmbH**, Solingen (DE)

(\*\*) **Term:** **14 Years**

(21) **Appl. No.:** **29/176,666**

(22) **Filed:** **Feb. 26, 2003**

(30) **Foreign Application Priority Data**

Sep. 3, 2002 (DE) ..... 4 02 07 459

(51) **LOC (7) Cl.** ..... **26-02**

(52) **U.S. Cl.** ..... **D26/39**

(58) **Field of Search** ..... D26/37-50; 362/157,  
362/158, 171, 172, 173, 183-208, 103,  
105

(56) **References Cited**

**U.S. PATENT DOCUMENTS**

D383,229 S \* 9/1997 Kiichiro ..... D26/39

D399,580 S \* 10/1998 Feinbloom ..... D26/39

D406,371 S \* 3/1999 Van Der Bel ..... D26/39

D441,111 S \* 4/2001 Van Der Bel ..... D26/39

\* cited by examiner

*Primary Examiner*—Marcus A. Jackson

(74) *Attorney, Agent, or Firm*—Herbert Dubno

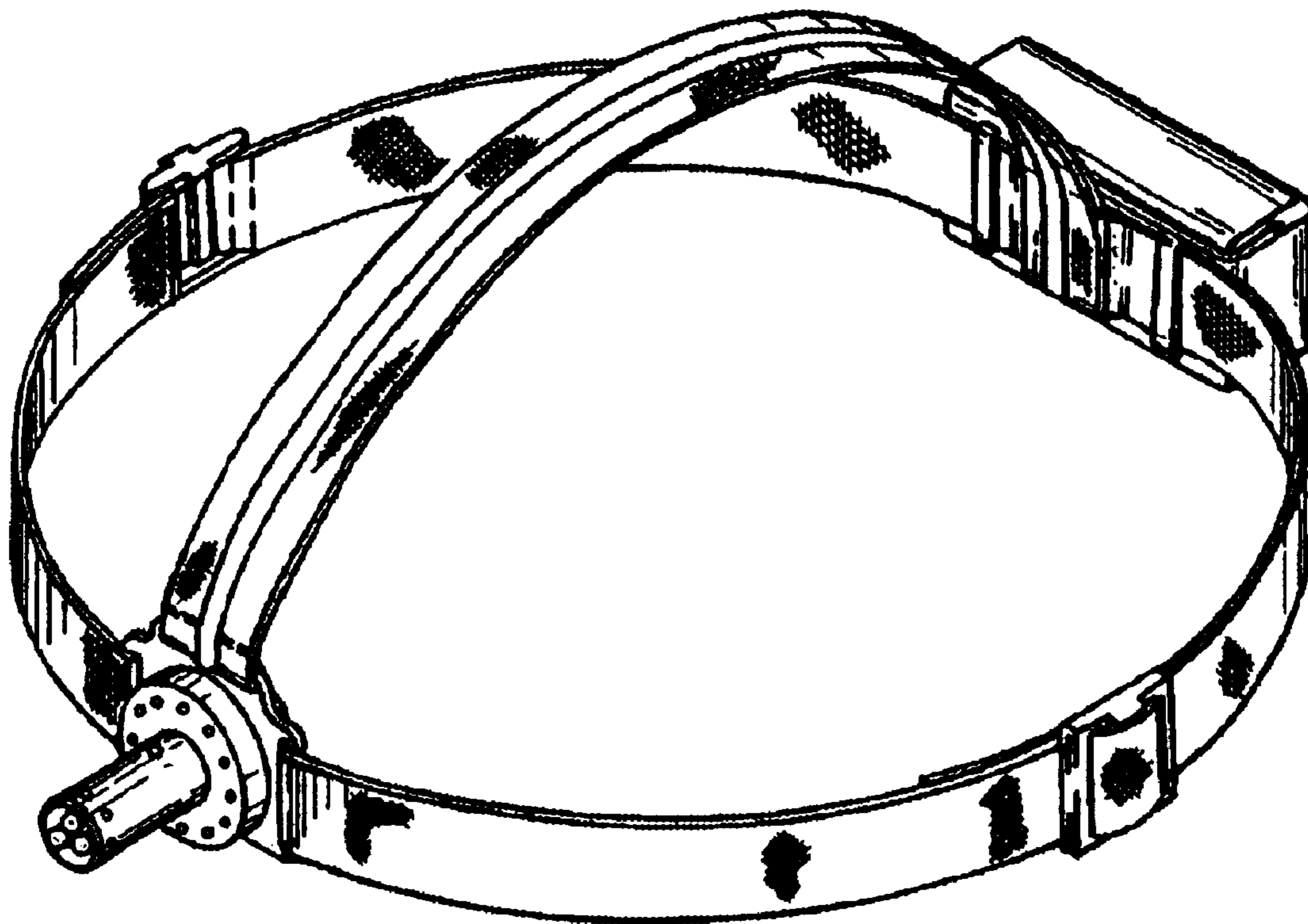
(57) **CLAIM**

The ornamental design for a head-band lamp, as shown and described.

**DESCRIPTION**

FIG. 1 is a front, top, right-side perspective view of a head-band lamp showing my new design; FIG. 2 is a front elevational view thereof; FIG. 3 is a rear elevational view thereof; FIG. 4 is a left side elevational view thereof; FIG. 5 is a right side elevational view thereof; FIG. 6 is a top plan view thereof; FIG. 7 is a bottom plan view thereof; and, FIG. 8 is a left side elevational view thereof showing the use thereof, the illustration in dot-dash lines not being a part of my design.

**1 Claim, 6 Drawing Sheets**



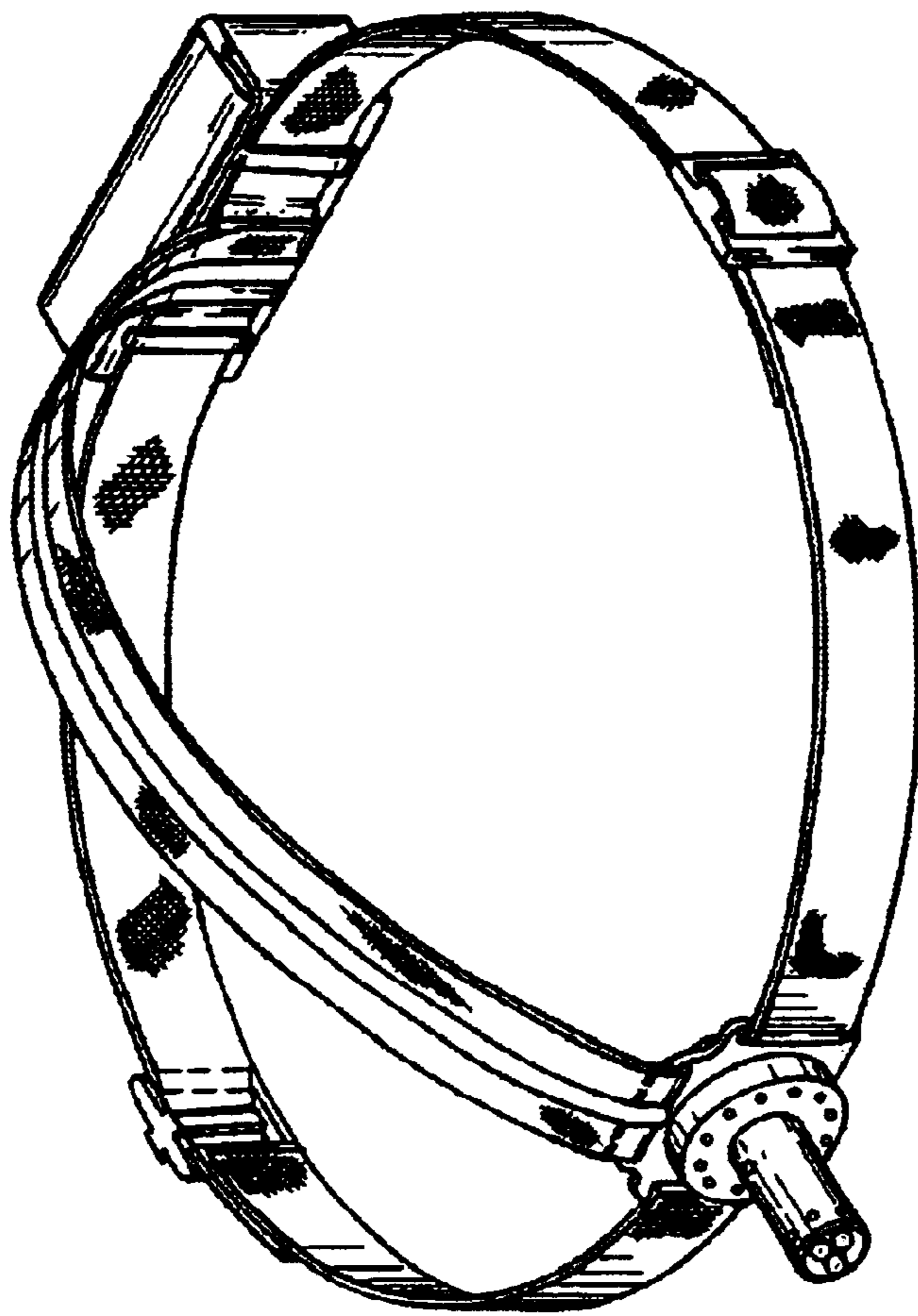


FIG. 1

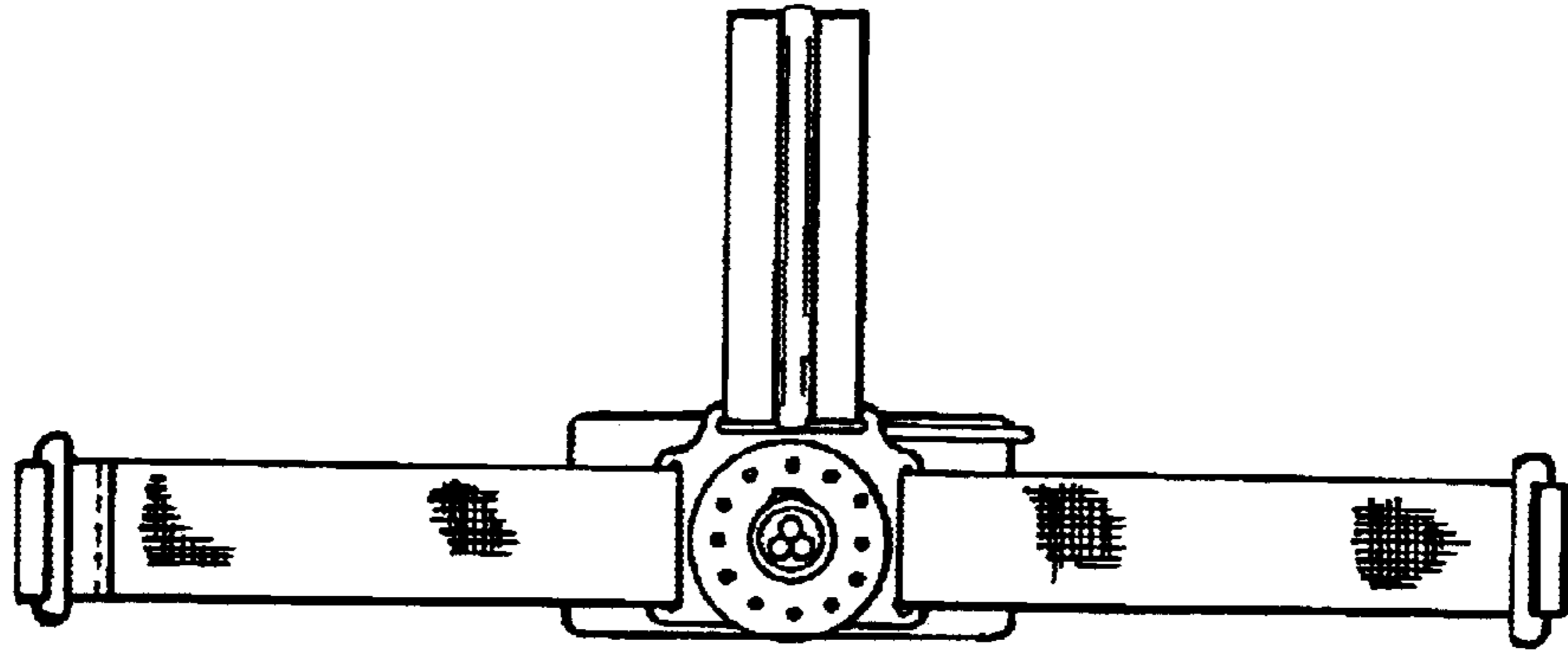


FIG. 2

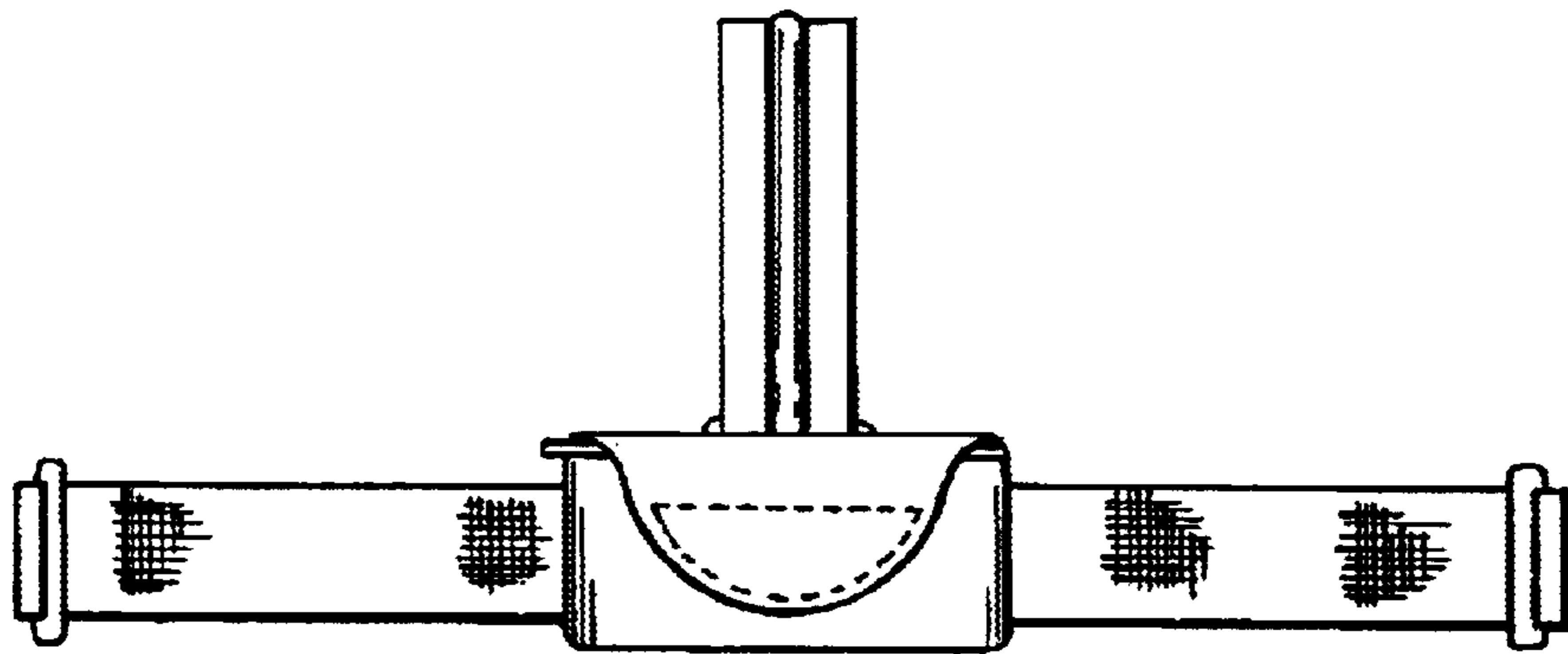


FIG. 3

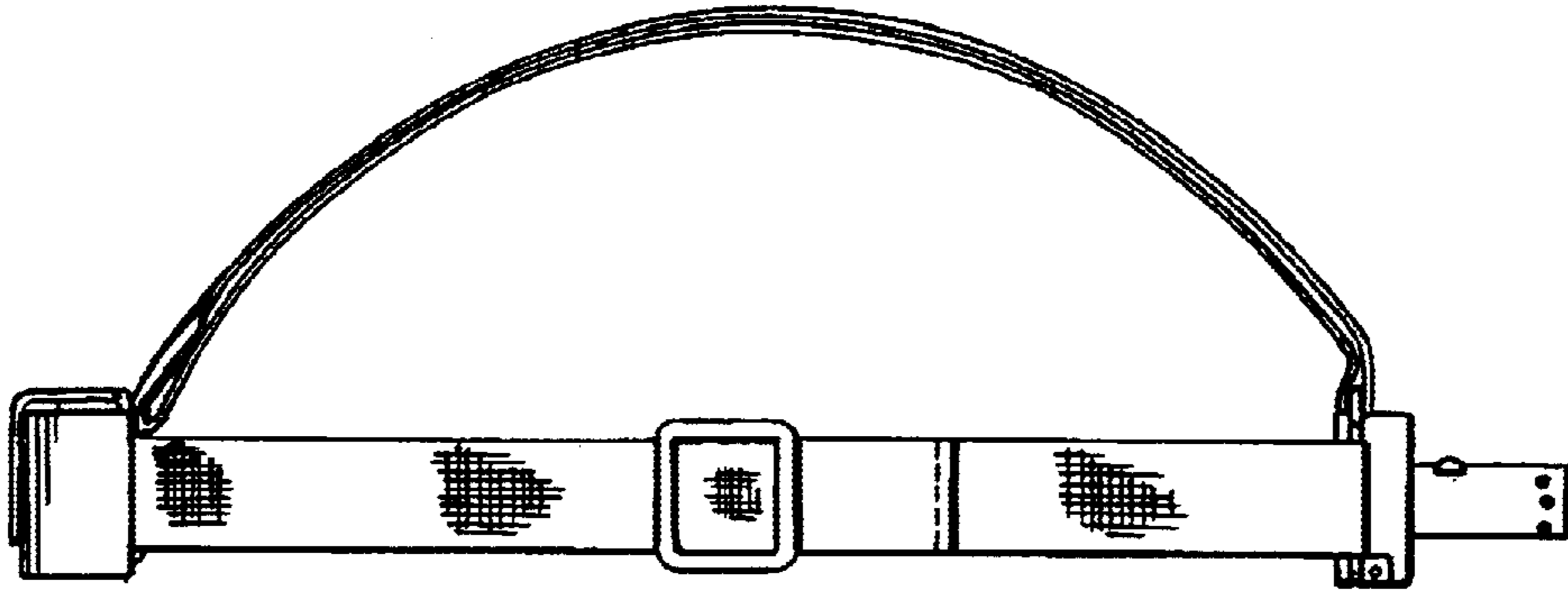


FIG. 4

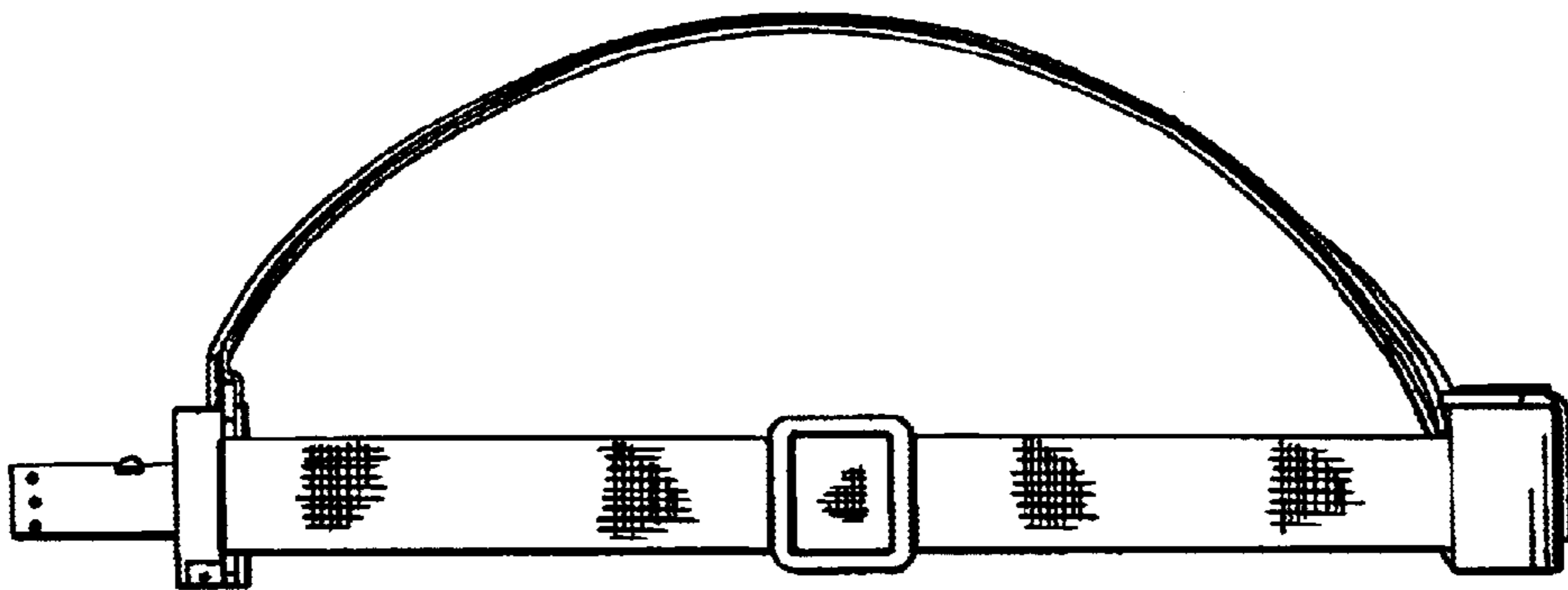


FIG. 5

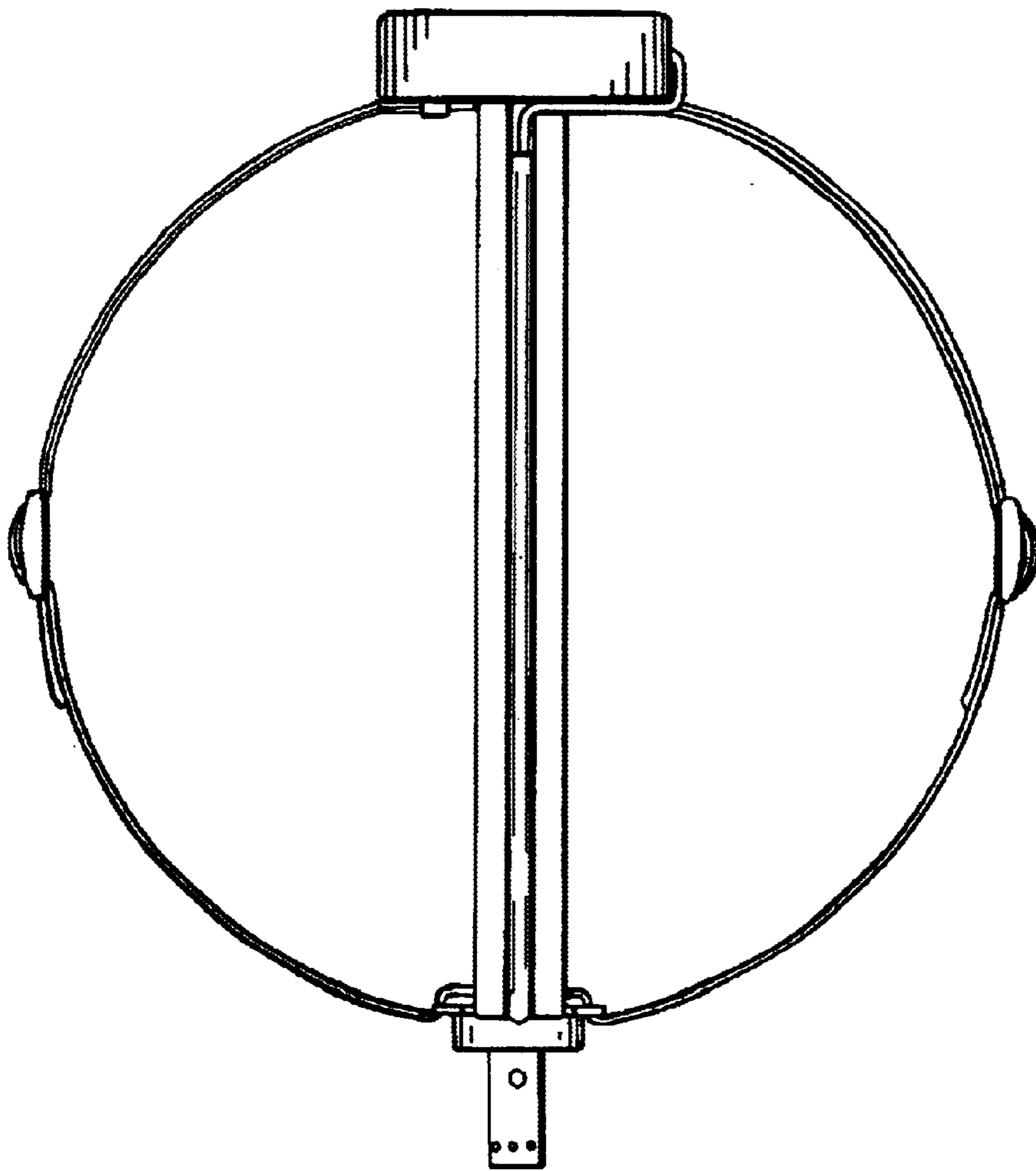


FIG.6

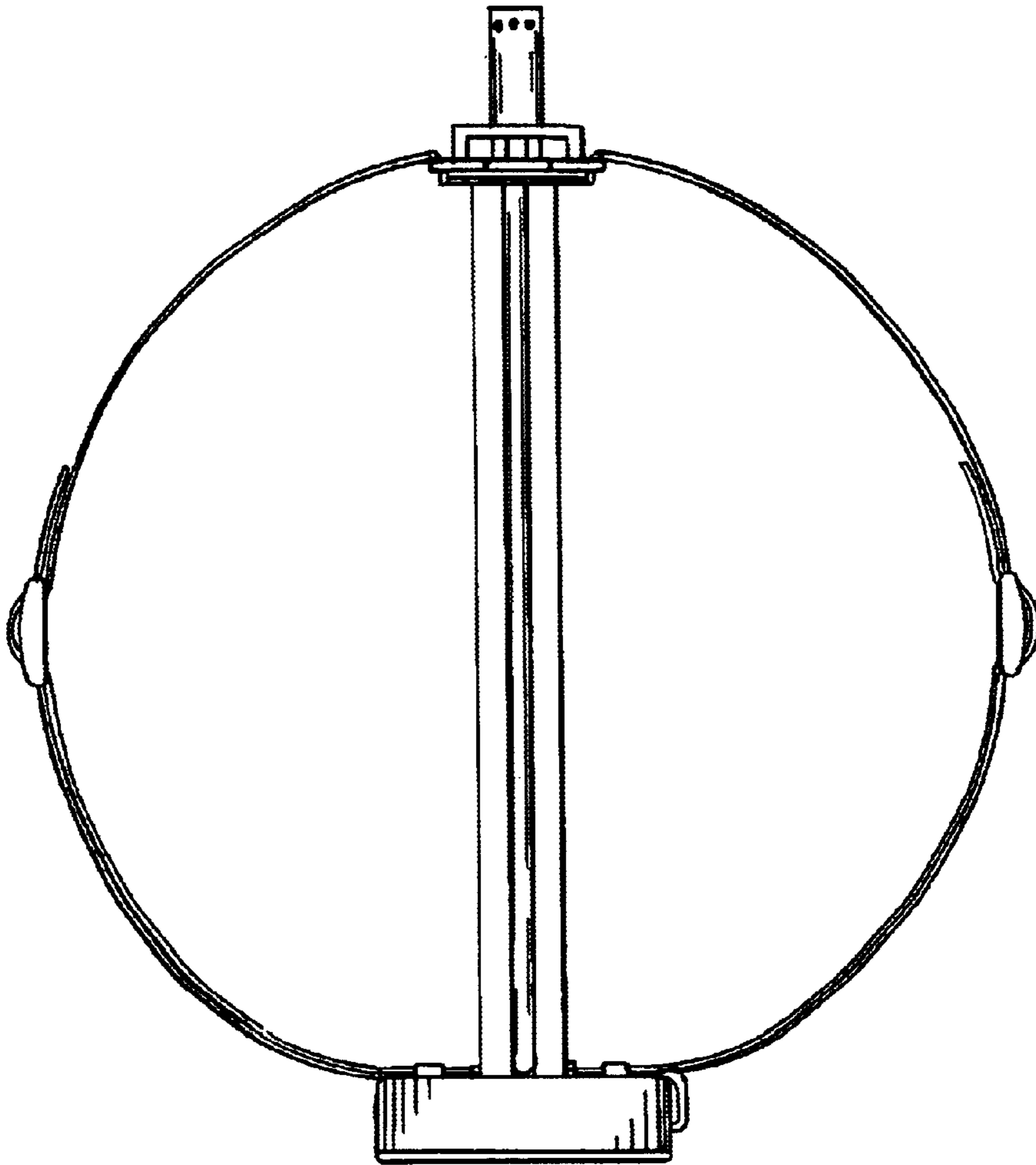


FIG.7

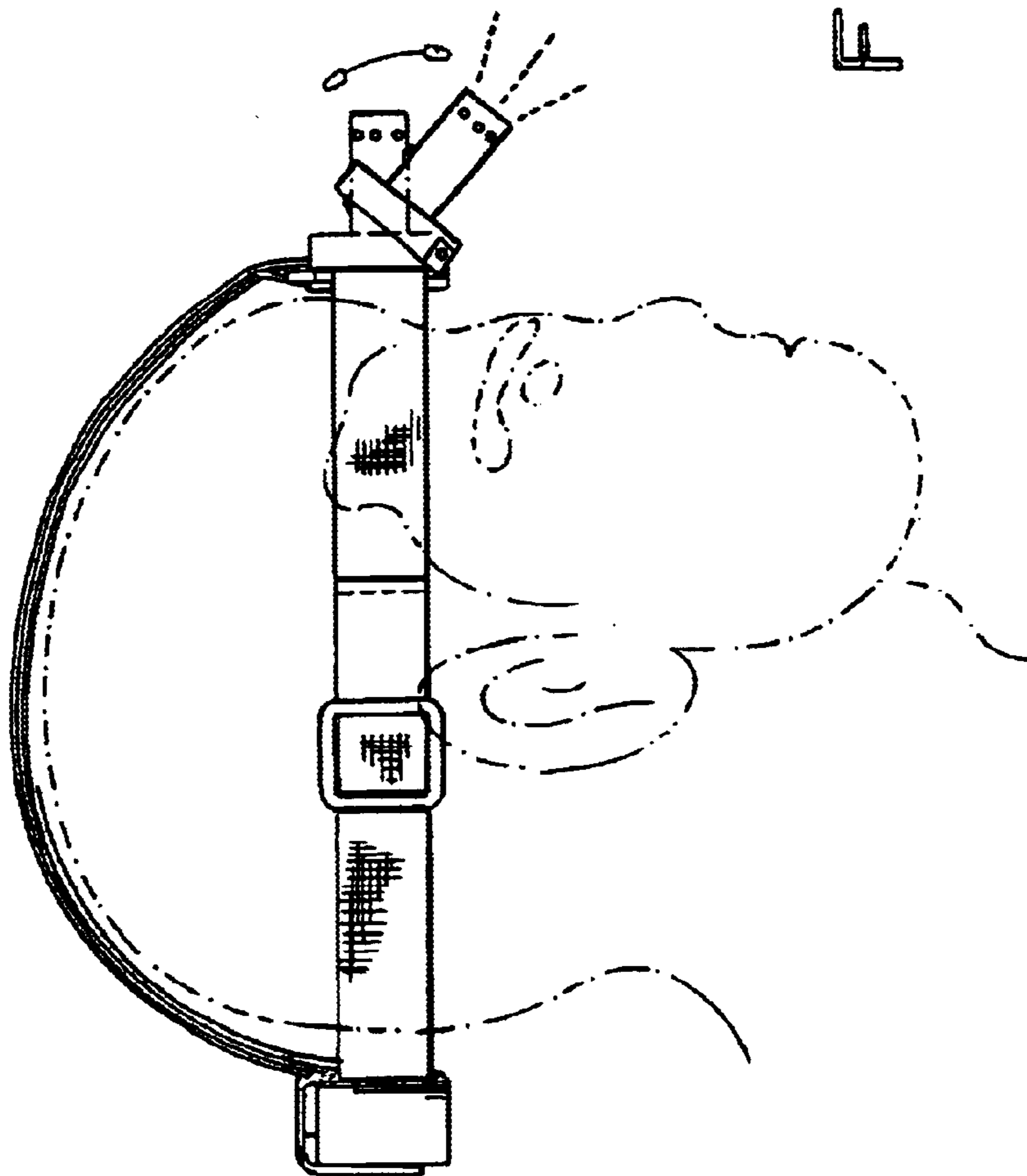


FIG. 8