



US00D489837S

(12) **United States Design Patent**
Yuen

(10) **Patent No.:** **US D489,837 S**

(45) **Date of Patent:** **** May 11, 2004**

(54) **RECHARGEABLE HALOGEN LANTERN WITH CHARGING BASE**

DESCRIPTION

(75) Inventor: **John Se Kit Yuen**, Kowloon (HK)

FIG. 1 is a front view of the rechargeable halogen lantern with charging base showing my new design;

(73) Assignee: **John Manufacturing Limited**, Kowloon (HK)

FIG. 2 is a rear view of the rechargeable halogen lantern with charging base of FIG. 1;

(**) Term: **14 Years**

FIG. 3 is a left side view of the rechargeable halogen lantern with charging base of FIG. 1;

(21) Appl. No.: **29/187,012**

FIG. 4 is a right side view of the rechargeable halogen lantern with charging base of FIG. 1;

(22) Filed: **Jul. 24, 2003**

FIG. 5 is a top plan view of the rechargeable halogen lantern with charging base of FIG. 1;

(30) **Foreign Application Priority Data**

Feb. 4, 2003 (GB) 3010626

FIG. 6 is a bottom plan view of the rechargeable halogen lantern with charging base of FIG. 1;

(51) **LOC (7) Cl.** **26-02**

FIG. 7 is a front view of the rechargeable halogen lantern with charging base of FIG. 1;

(52) **U.S. Cl.** **D26/37**

(58) **Field of Search** D26/37-50; 362/157, 362/158, 171-173, 183-208

FIG. 8 is a left side view of the rechargeable halogen lantern with charging base of FIG. 1;

(56) **References Cited**

U.S. PATENT DOCUMENTS

D436,196 S * 1/2001 Chan et al. D26/37
D440,333 S * 4/2001 Yuen D26/37
D481,146 S * 10/2003 Yuen D26/37

FIG. 9 is a bottom plan view of the rechargeable halogen lantern with charging base of FIG. 1;

FIG. 10 is a perspective view of the rechargeable halogen lantern with charging base of FIG. 1 with a handle portion thereof illustrated in an optional projected position;

* cited by examiner

FIG. 11 is a perspective separated view of the rechargeable halogen lantern with charging base of FIG. 1, viewed generally from the front and top thereof; and,

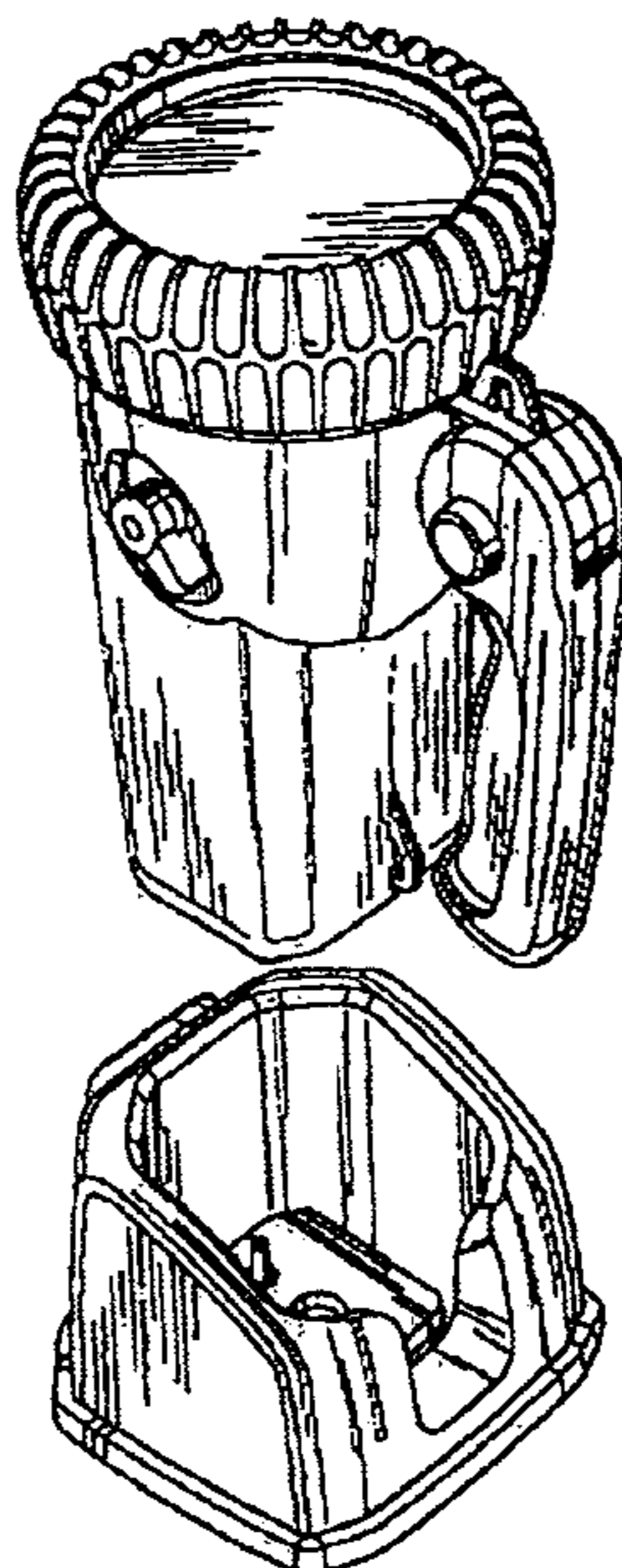
Primary Examiner—Marcus A. Jackson
(74) *Attorney, Agent, or Firm*—Alix, Yale & Ristas, LLP

FIG. 12 is a perspective separated view of the rechargeable halogen lantern with charging base of FIG. 1, viewed generally from the bottom and right side thereof.

(57) **CLAIM**

The ornamental design for a rechargeable halogen lantern with charging base, as shown and described.

1 Claim, 3 Drawing Sheets



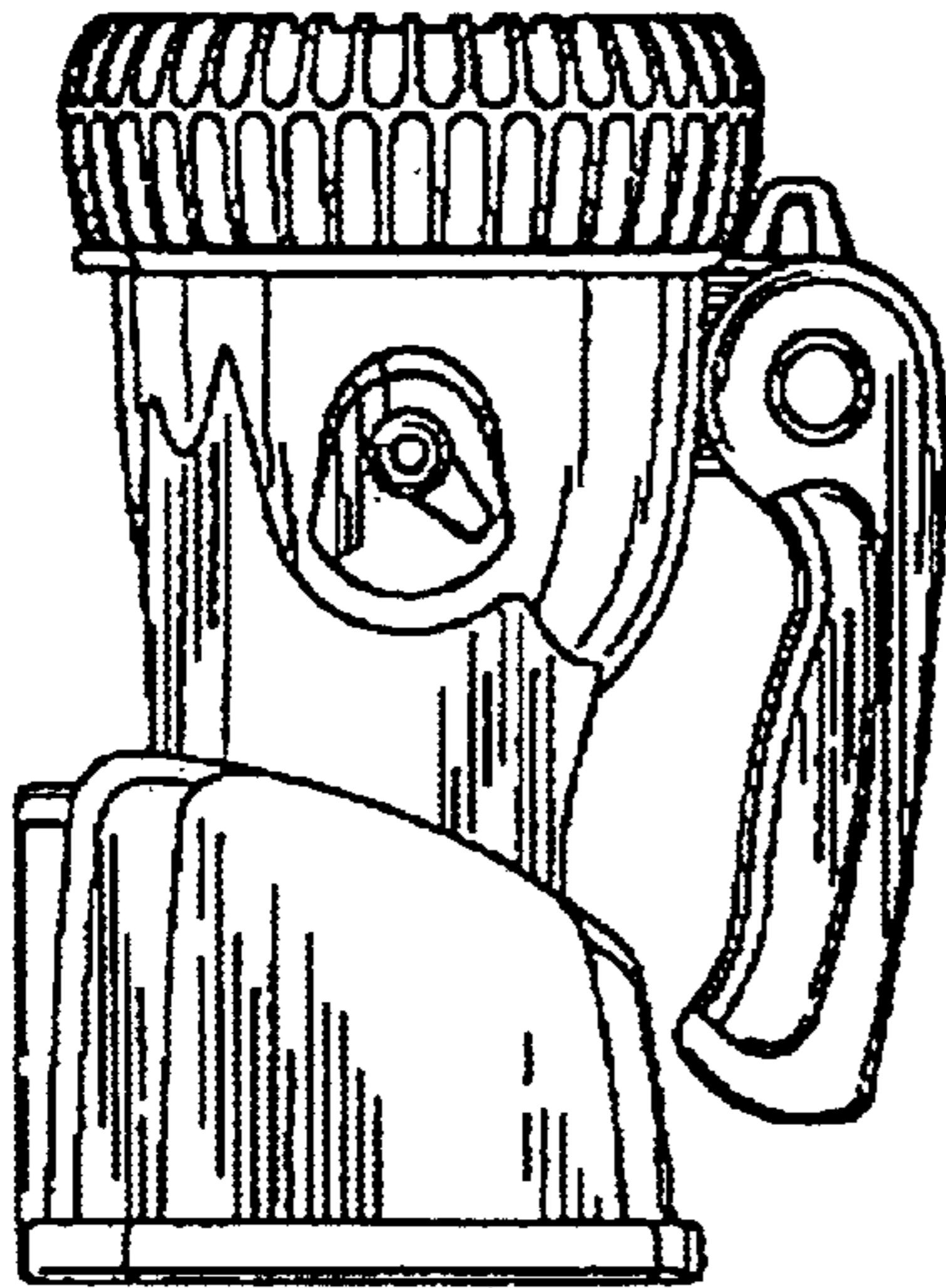


Figure 1

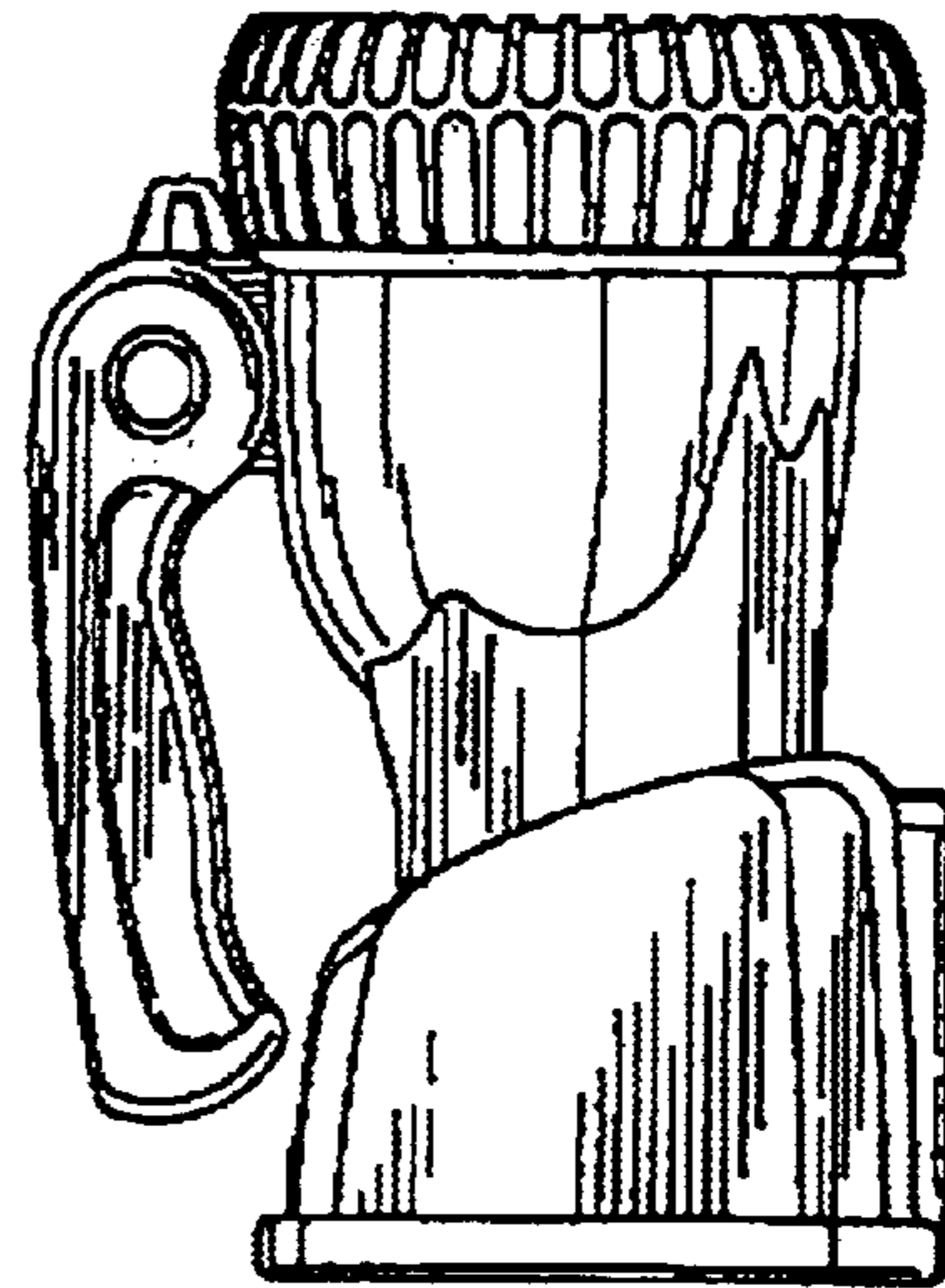


Figure 2

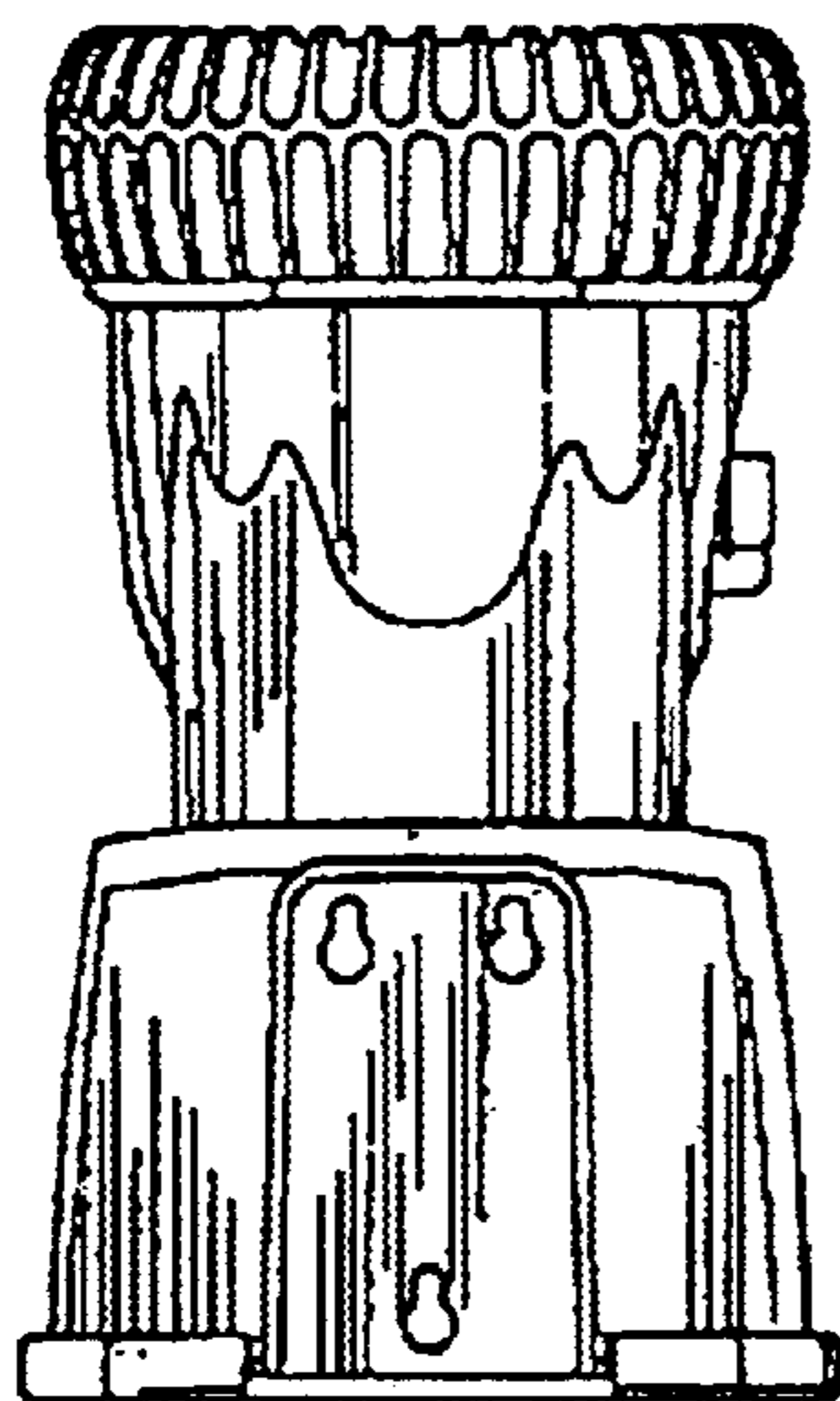


Figure 3

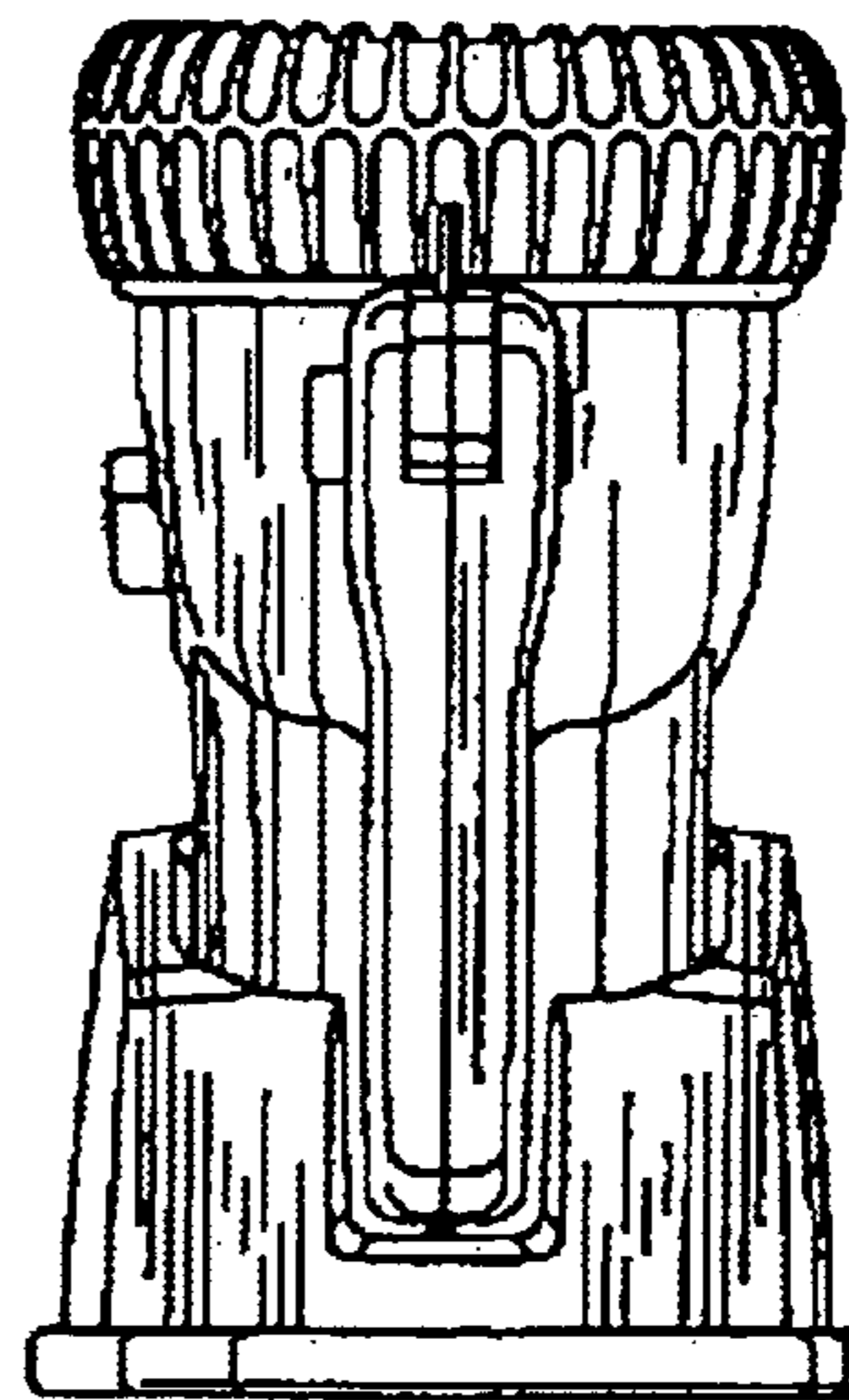


Figure 4

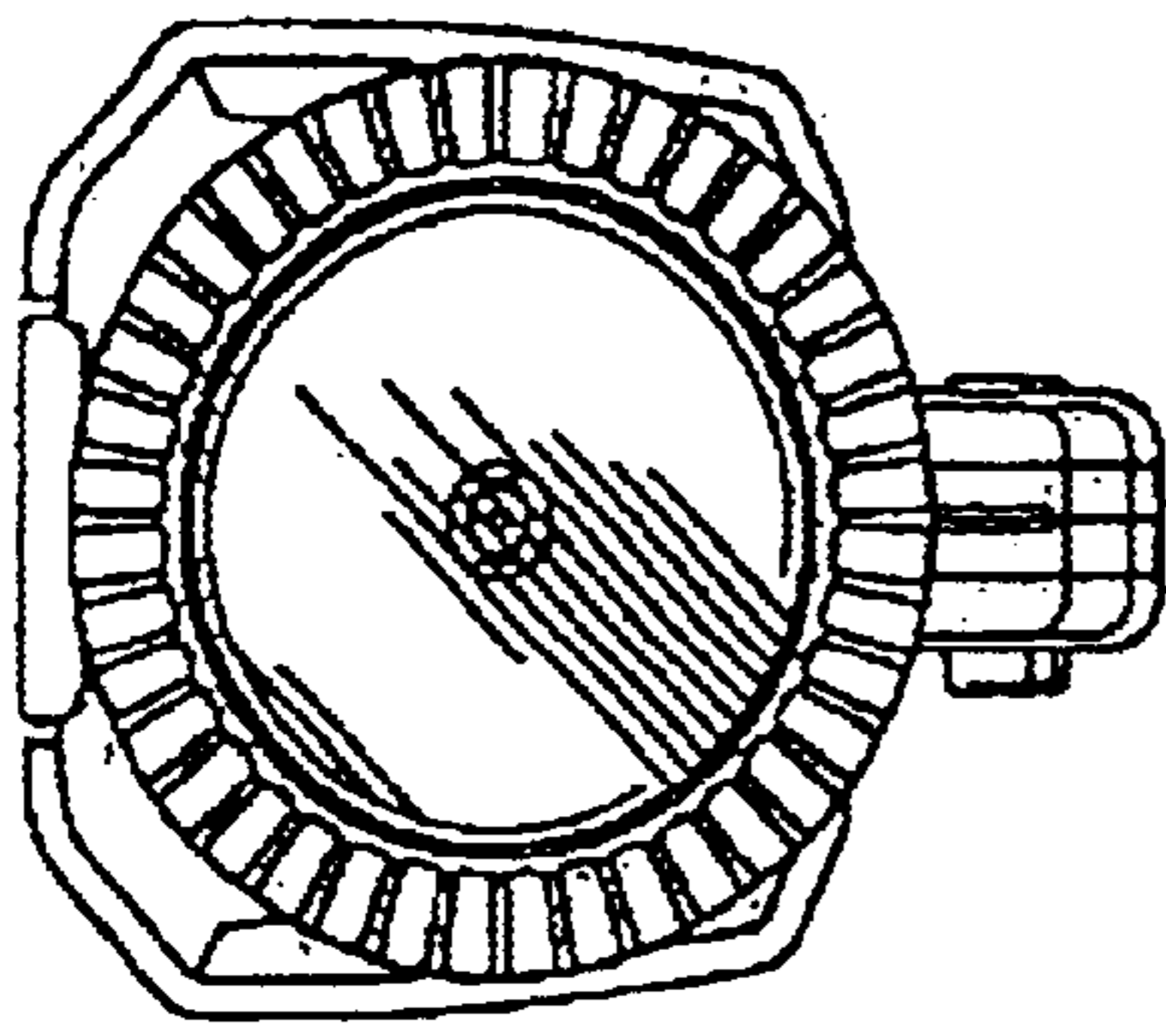


Figure 5

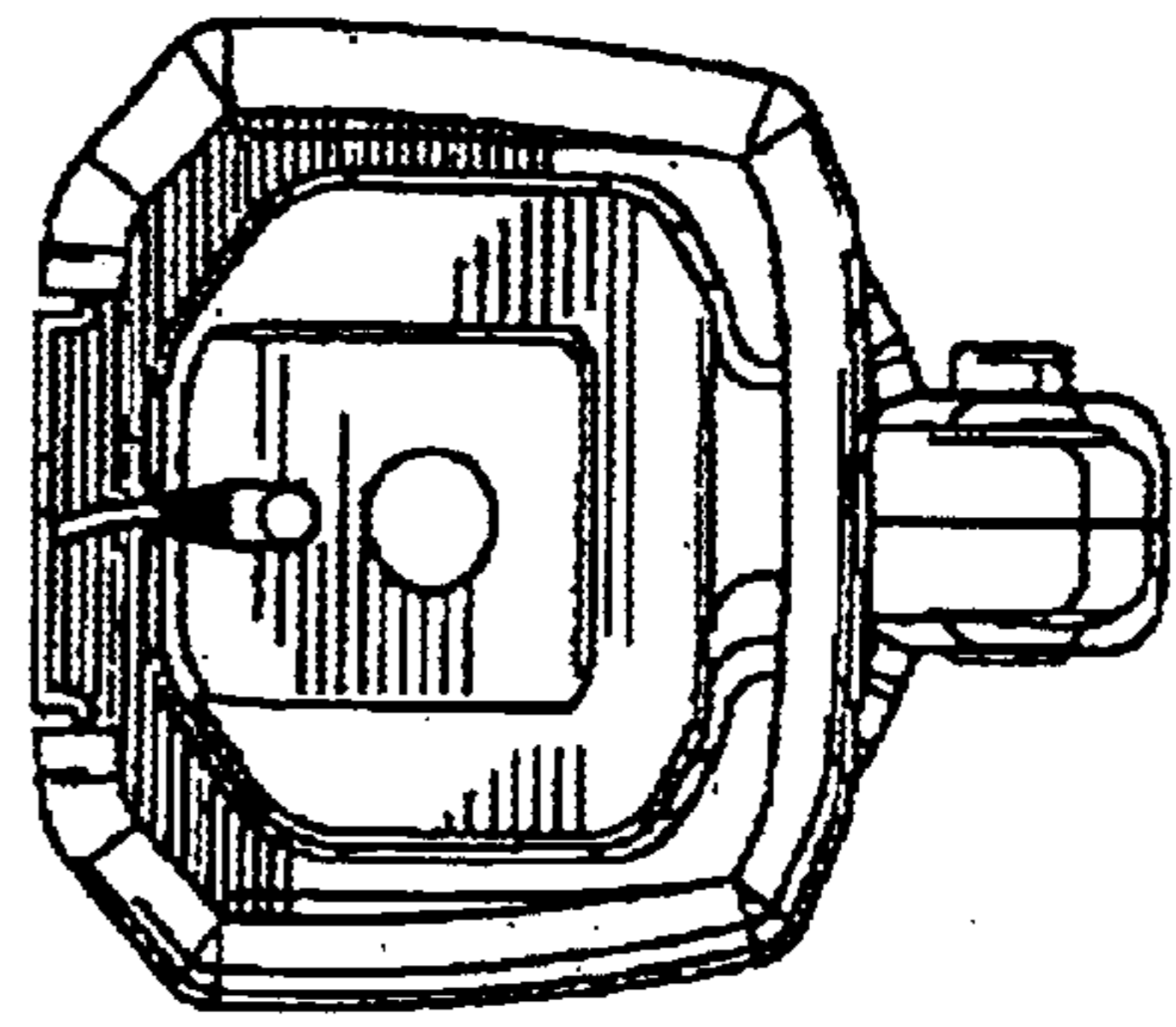


Figure 6

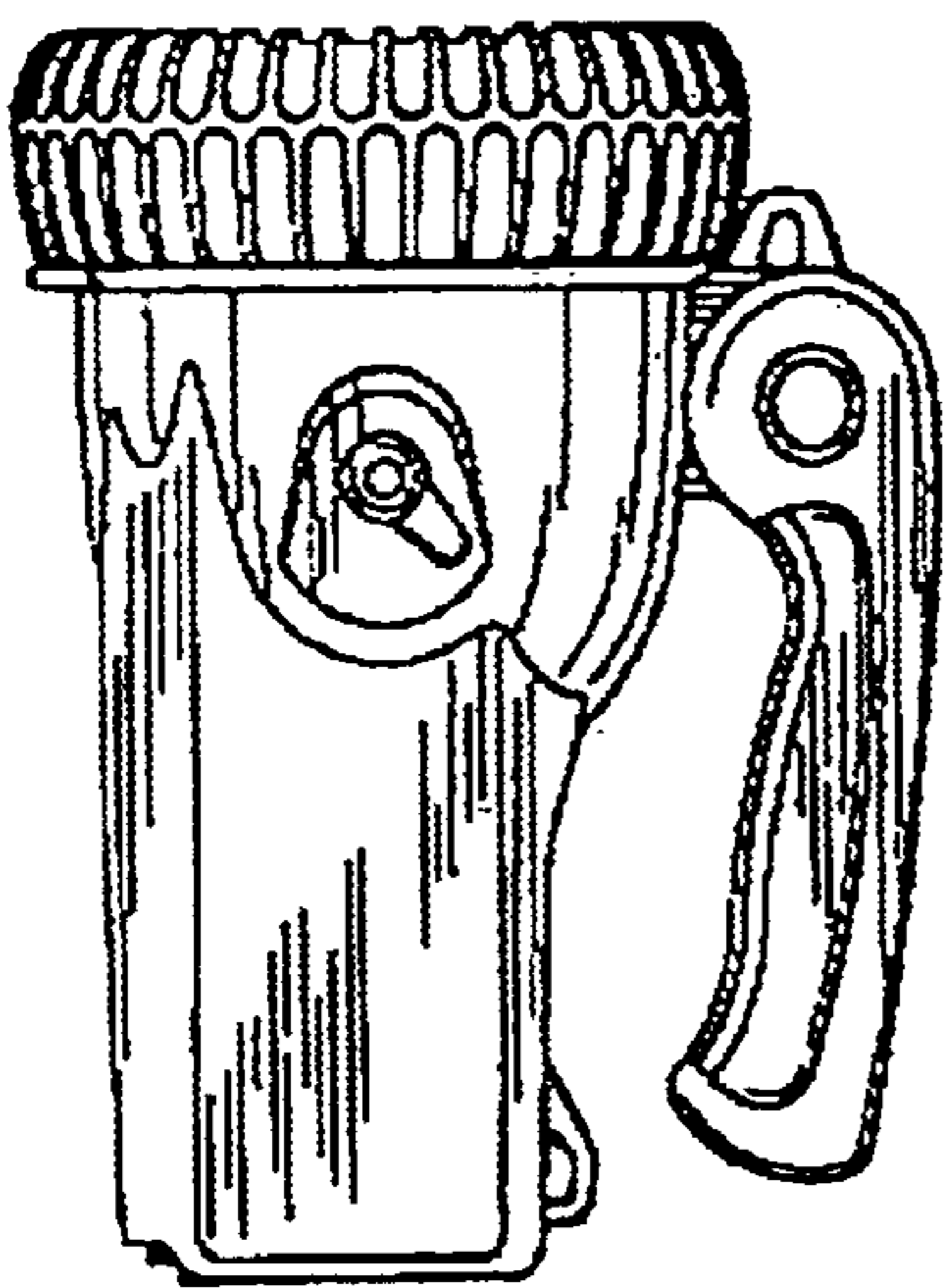


Figure 7

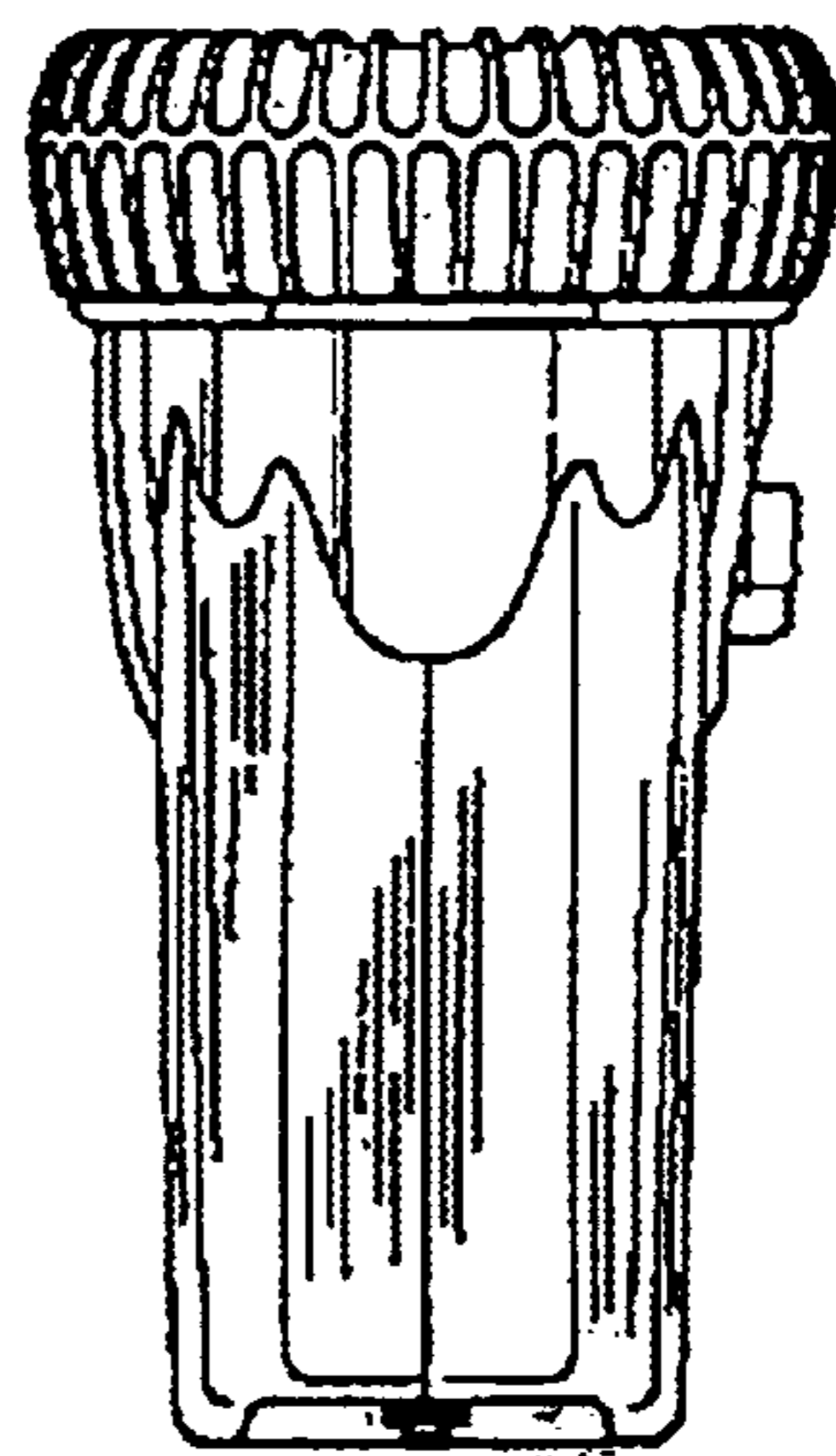


Figure 8

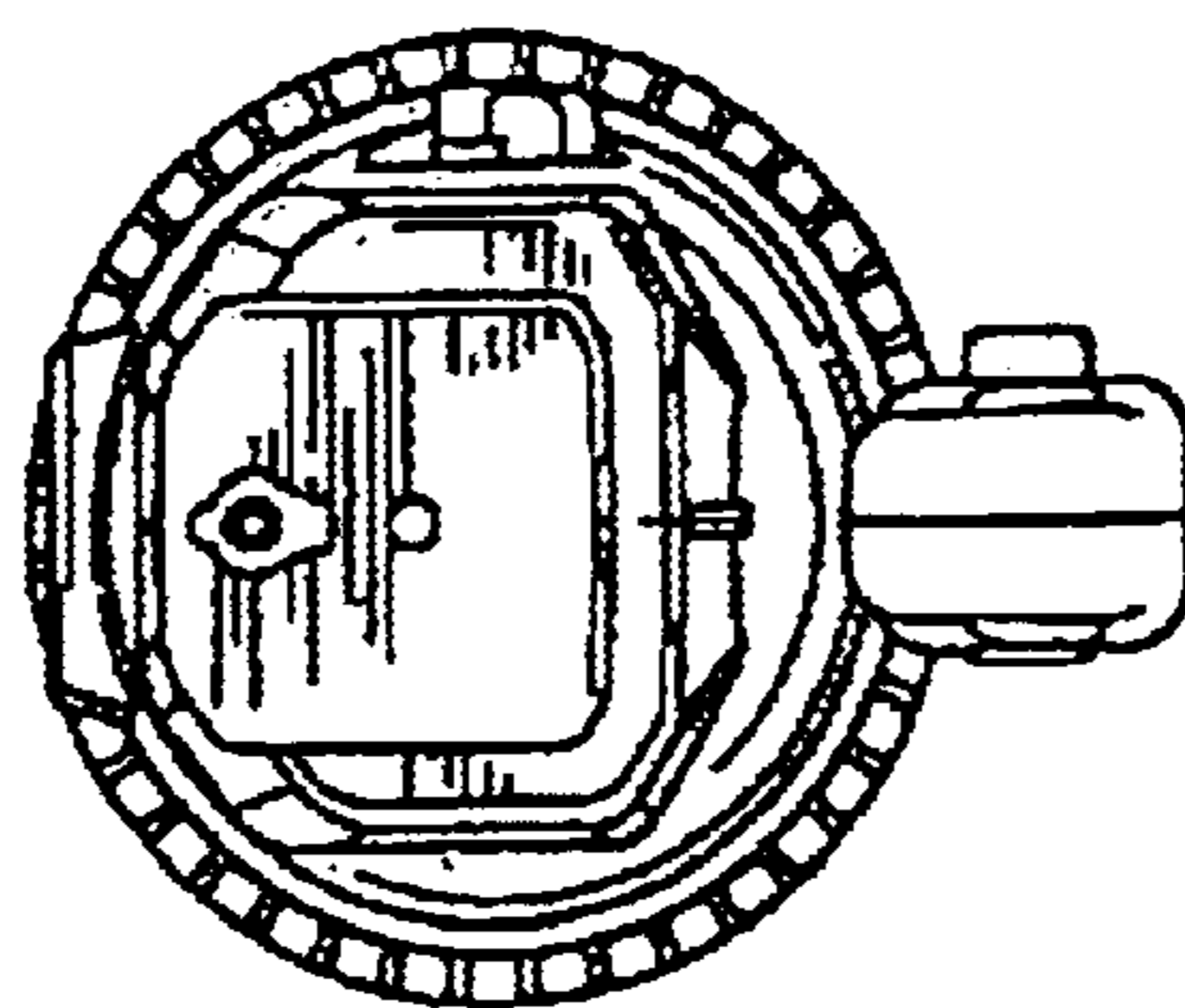


Figure 9

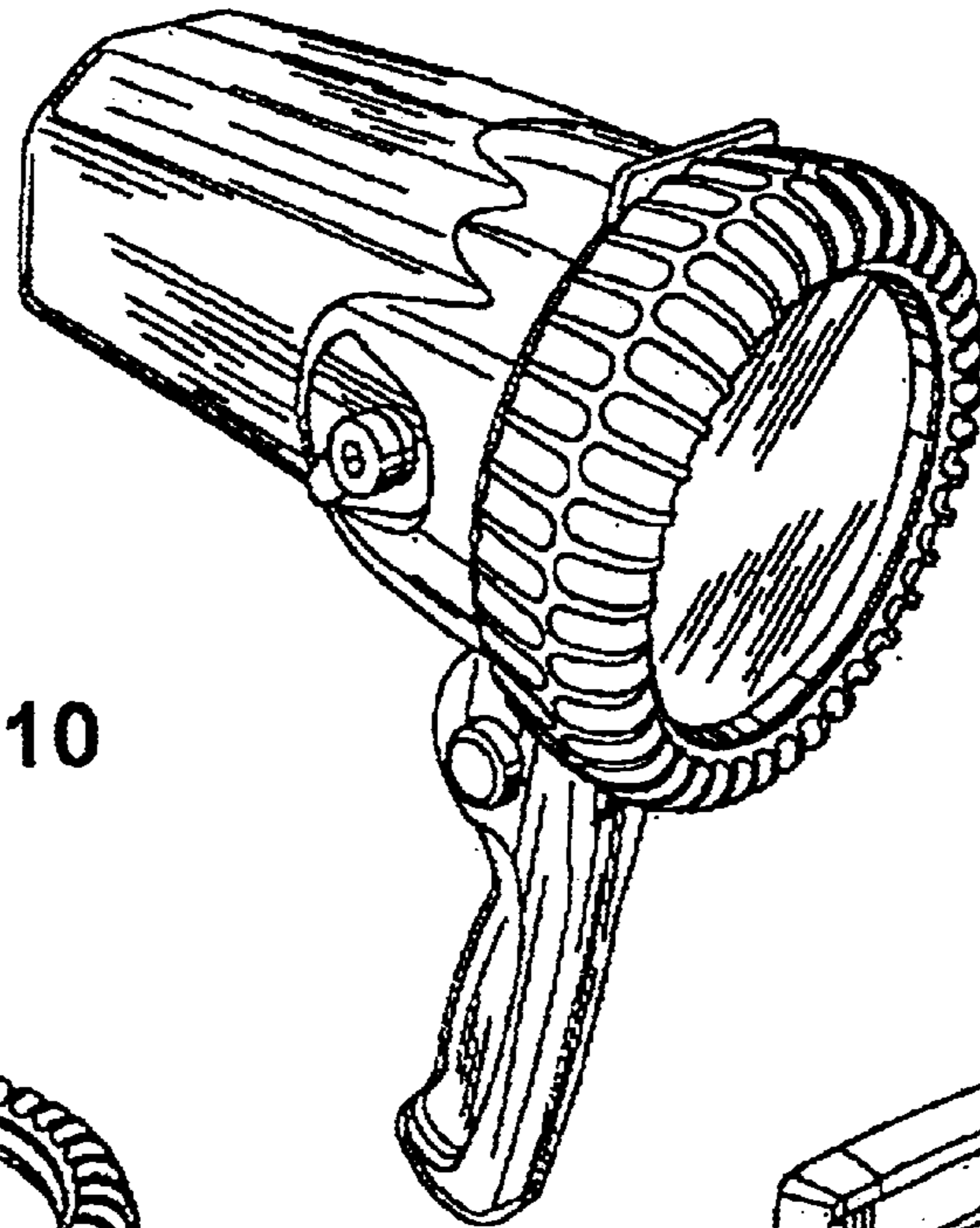


Figure 10

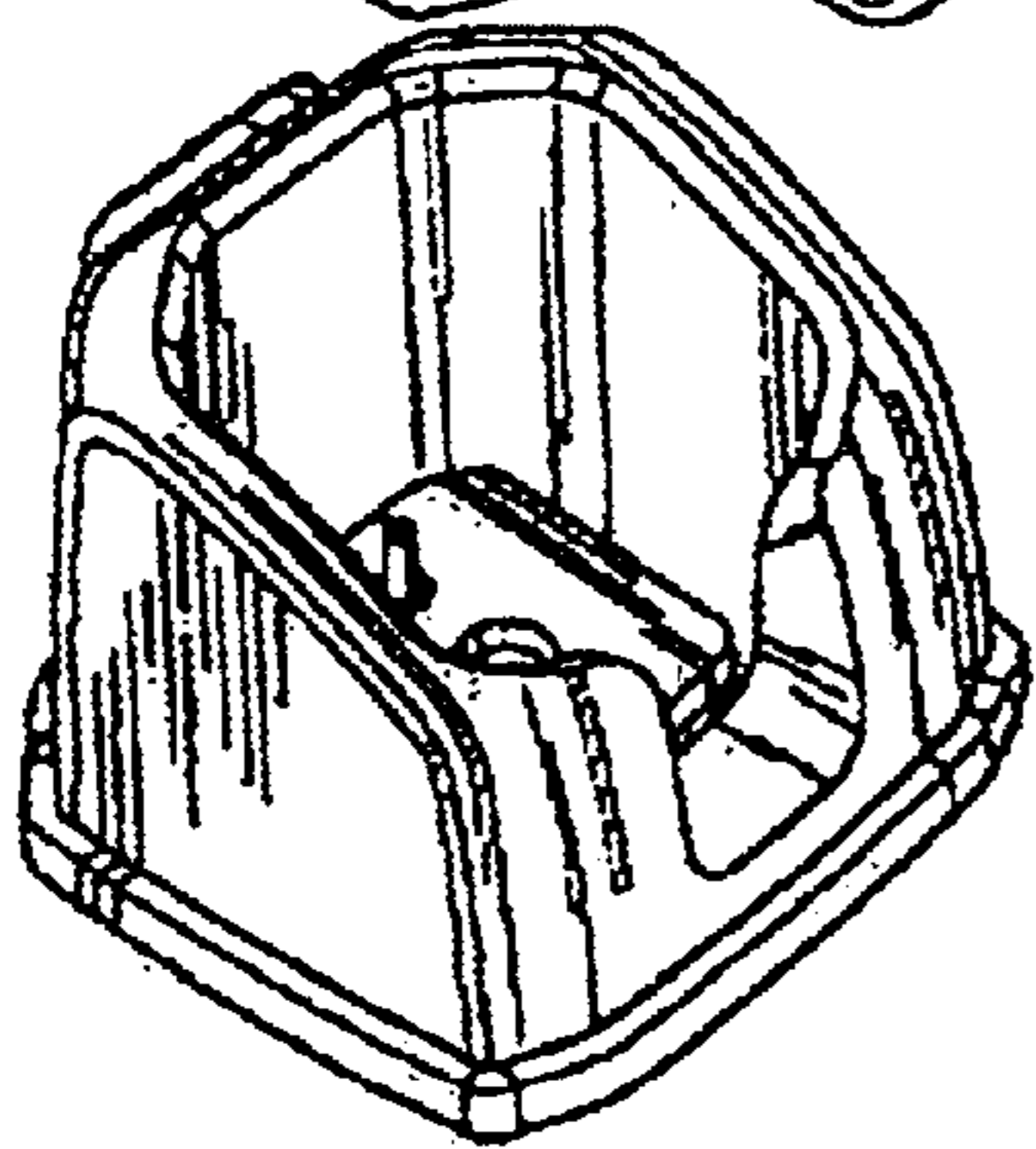
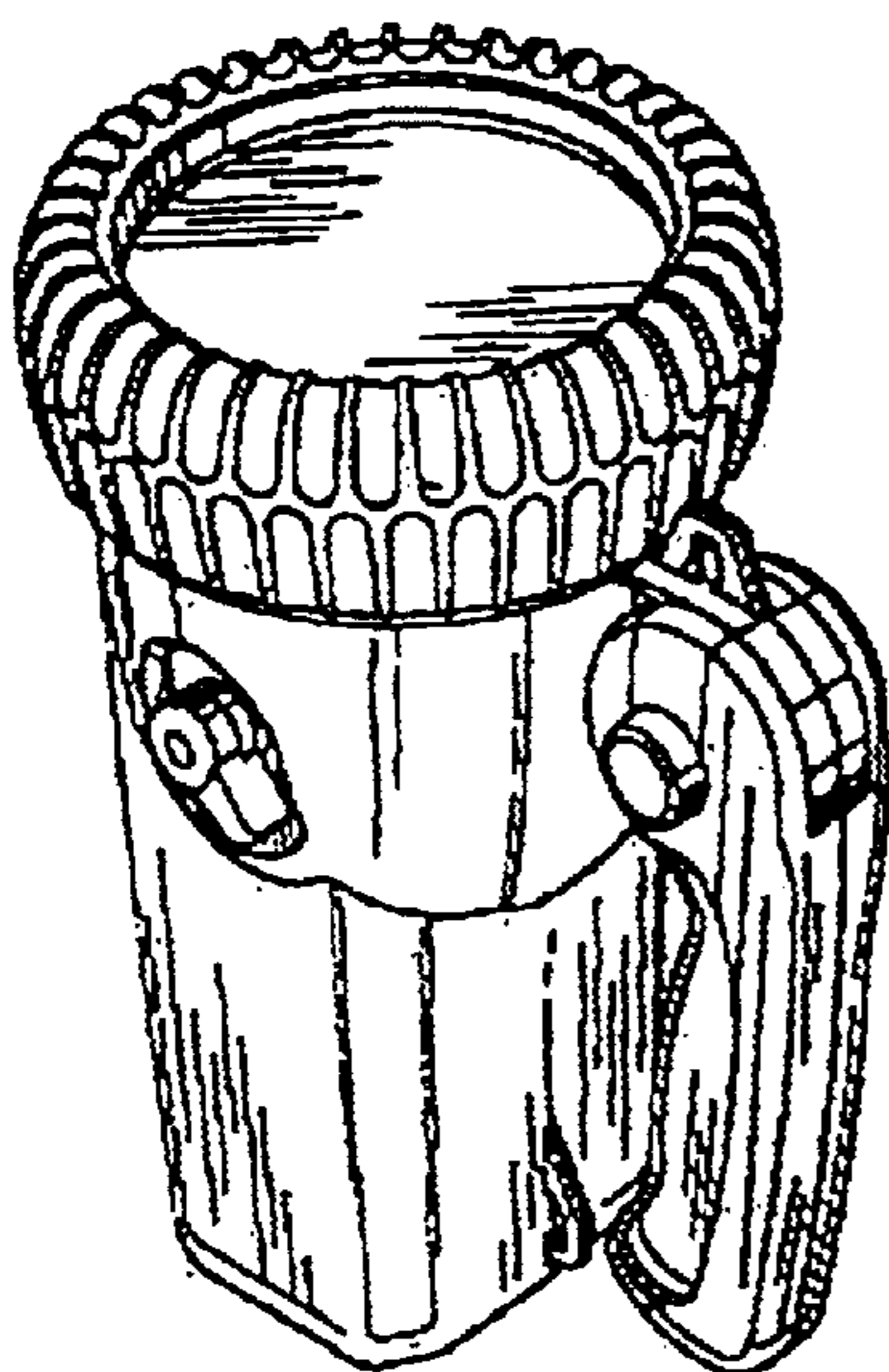


Figure 11

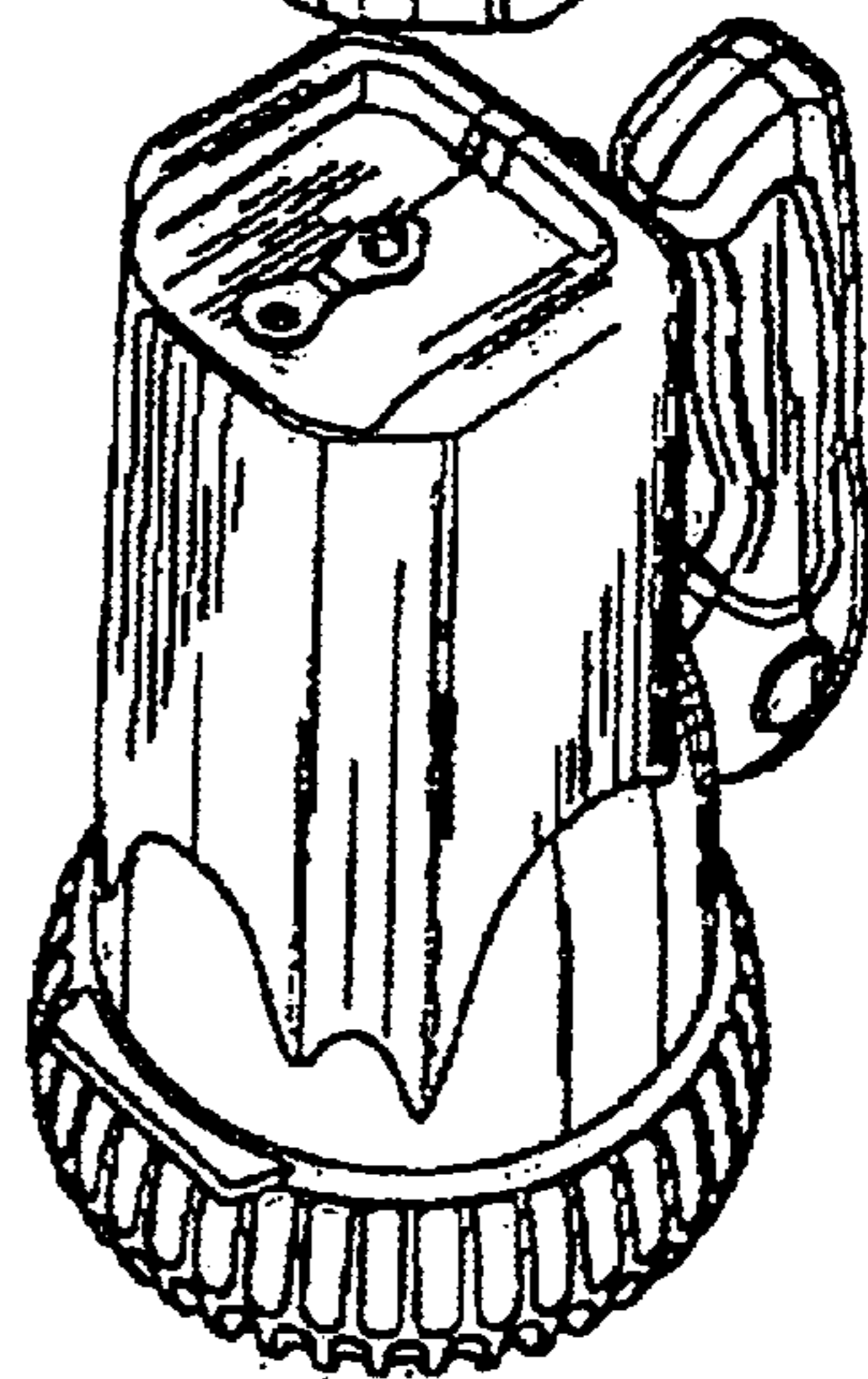
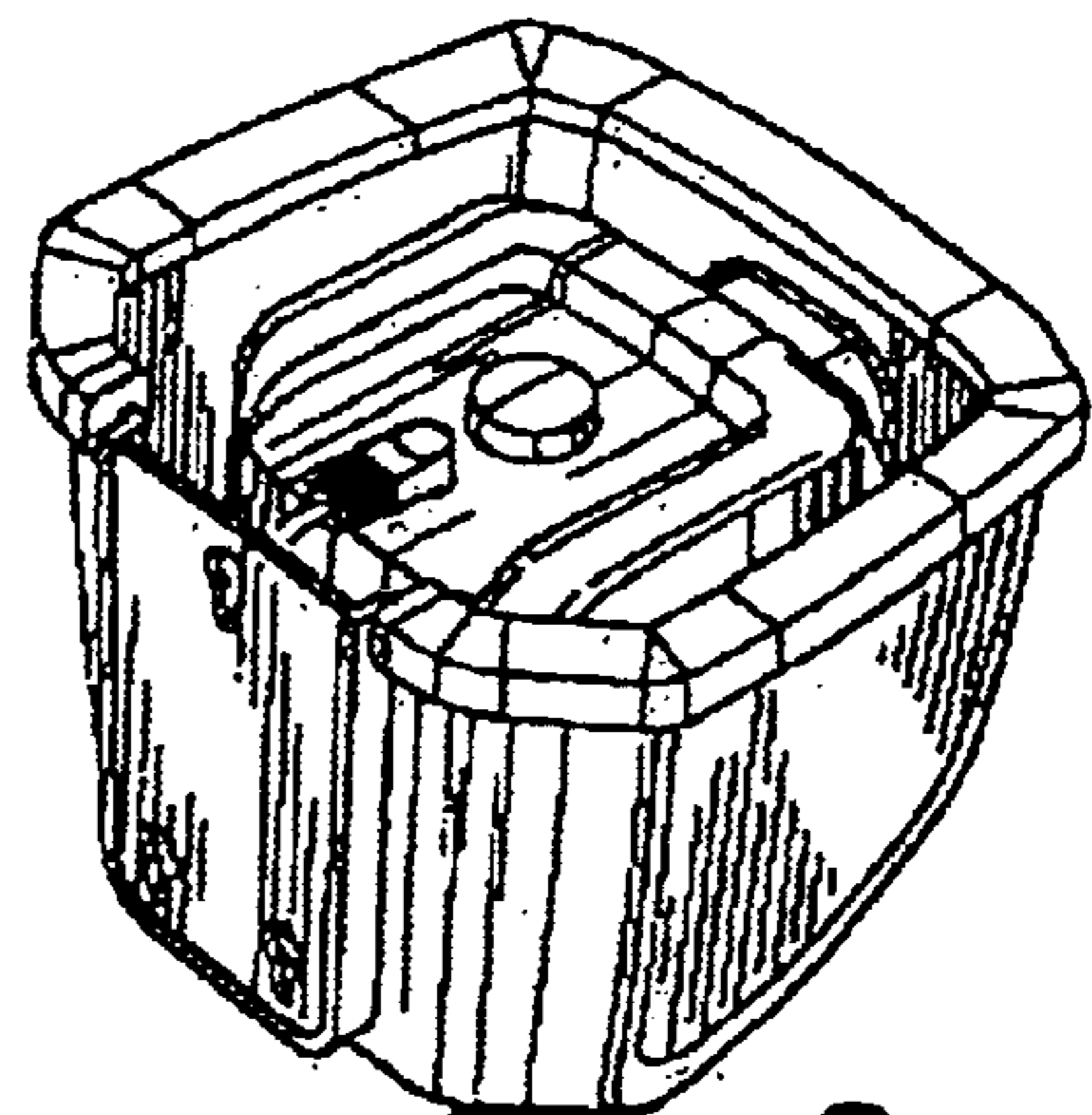


Figure 12