



US00D489828S

(12) **United States Design Patent**
Barnett

(10) **Patent No.:** **US D489,828 S**

(45) **Date of Patent:** **** May 11, 2004**

(54) **EXTRUSION OR SIMILAR ARTICLE**

(76) Inventor: **Harry Barnett**, 2 E. Oak, Chicago, IL
(US) 60611

(**) Term: **14 Years**

(21) Appl. No.: **29/171,874**

(22) Filed: **Dec. 2, 2002**

Related U.S. Application Data

(63) Continuation-in-part of application No. 09/870,247, filed on May 30, 2001, and a continuation-in-part of application No. 29/161,274, filed on May 25, 2002, now Pat. No. Des. 469,886.

(51) **LOC (7) Cl.** **25-01**

(52) **U.S. Cl.** **D25/119; D25/121**

(58) **Field of Search** D25/119, 136,
D25/121; 52/716.1, 716.4, 716.8, 717.01,
718.01, 718.04, 717.03, 717.06

(56) **References Cited**

U.S. PATENT DOCUMENTS

4,706,431 A * 11/1987 Covese 52/716.1
D316,299 S * 4/1991 Hurlburt D25/119

* cited by examiner

Primary Examiner—Doris Clark

(74) *Attorney, Agent, or Firm*—Michael G. Berkman

(57) **CLAIM**

The ornamental design for an extrusion or similar article, as shown and described.

DESCRIPTION

FIG. 1 is a perspective view of an extrusion or similar article showing my new design;

FIG. 2 is an end view thereof;

FIG. 3 is a front view thereof;

FIG. 4 is a rear view thereof;

FIG. 5 is a top view thereof;

FIG. 6 is a bottom view thereof; and

FIG. 7 is a perspective view of the extrusion or similar article of FIG. 1, but showing a removable strip optionally inserted into to be carried in the extrusion or similar article along a lineal expanse thereof. The broken lines showing a removable strip is for illustrative purposes only and form no part of the claimed design; and,

FIG. 8 is a perspective view of the extrusion or similar article of FIG. 1 and showing yet another removable strip disposed in an alternate disposition in the extrusion or similar article.

The broken lines showing a removable strip is for illustrative purposes only and form no part of the claimed design.

1 Claim, 3 Drawing Sheets

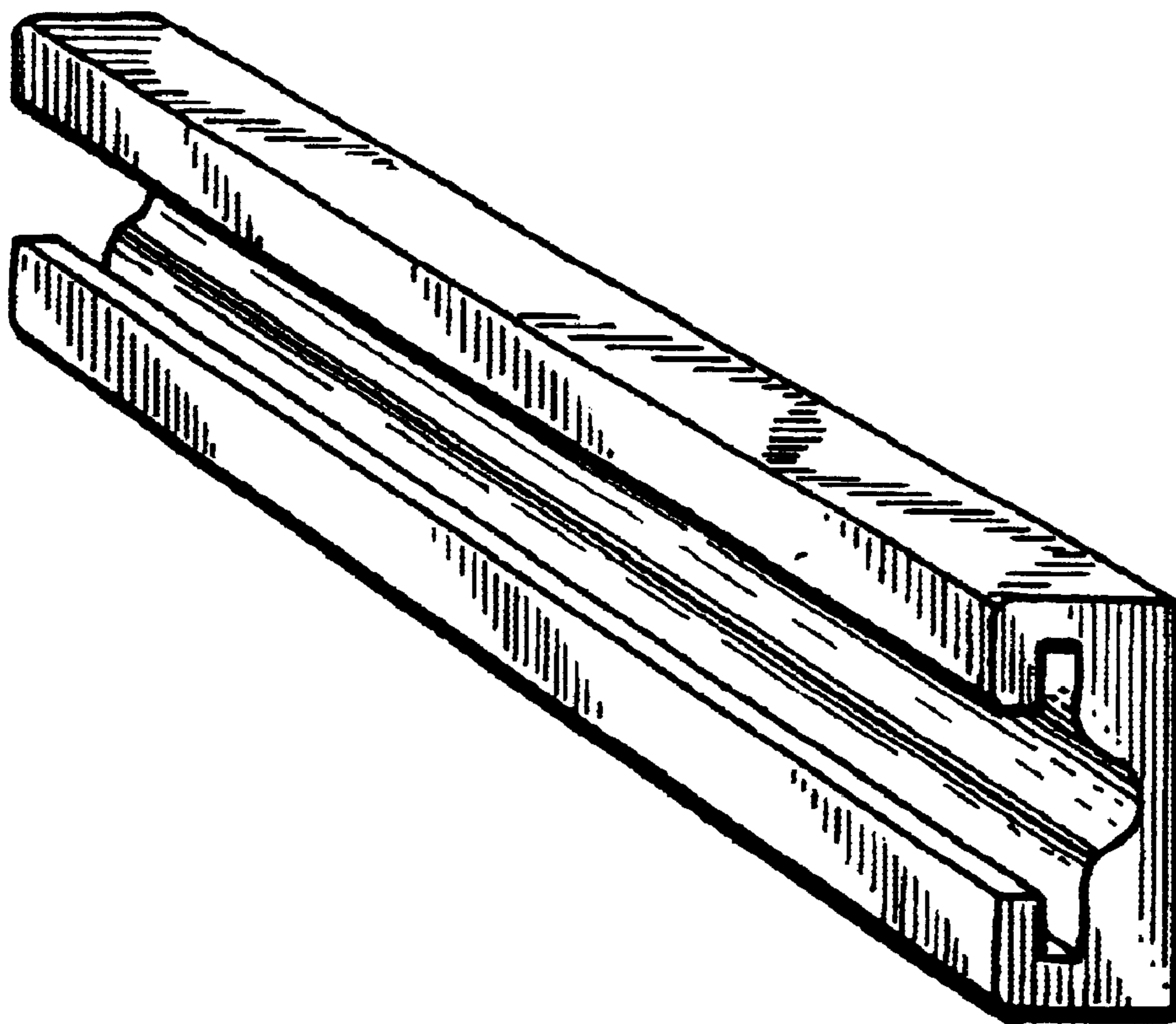


FIG. 1

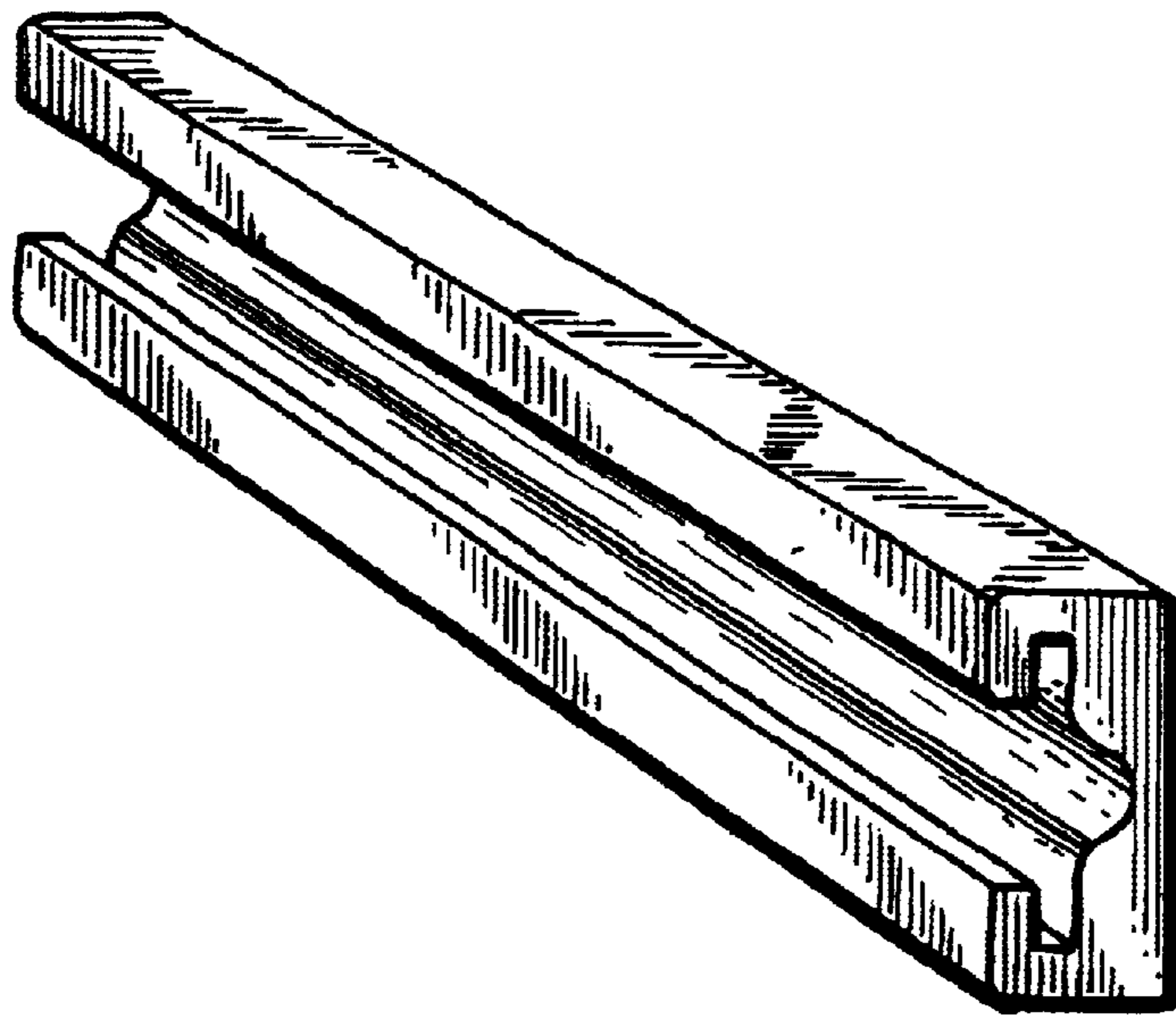


FIG. 2



FIG. 3

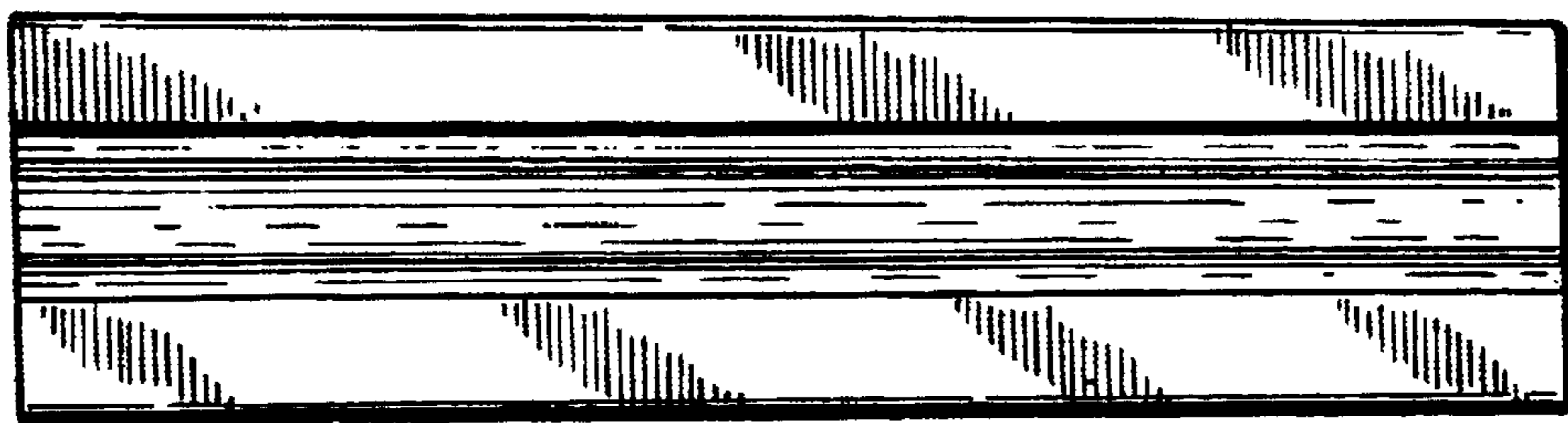


FIG.4

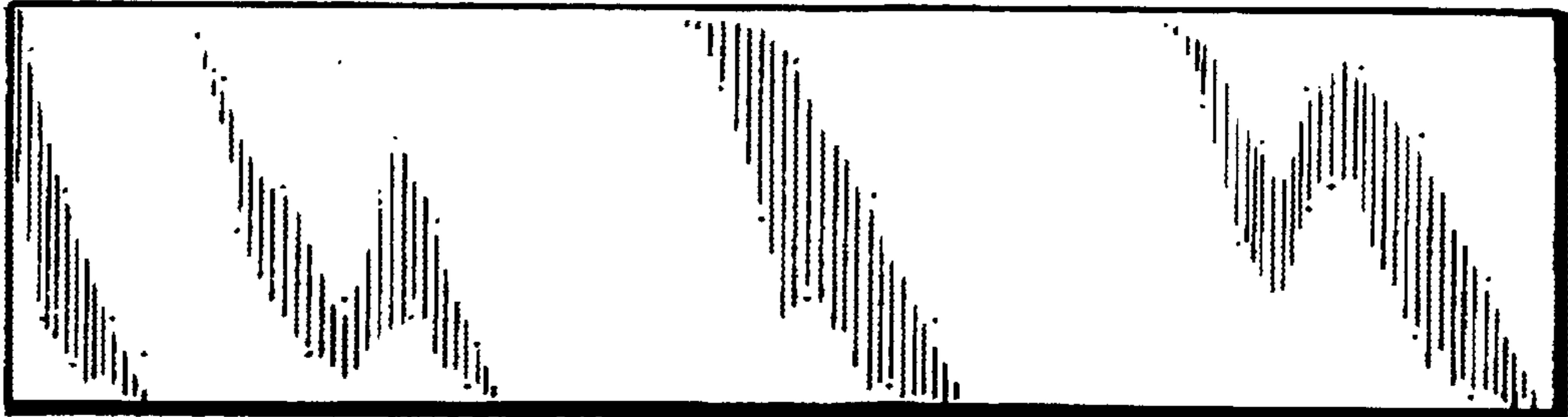


FIG.5



FIG.6



FIG. 7

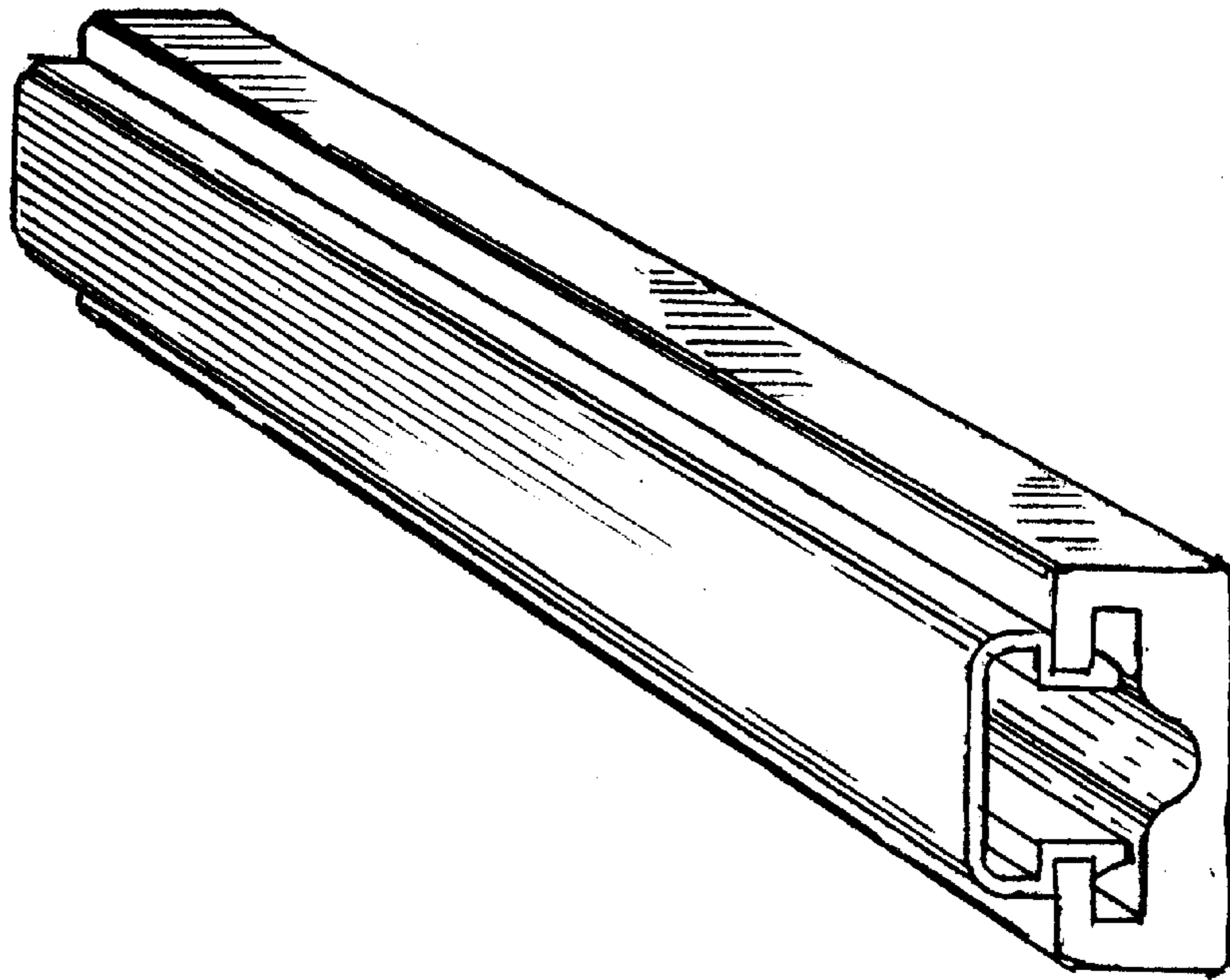


FIG. 8

