



US00D489825S

(12) **United States Design Patent**
Wagner et al.

(10) **Patent No.:** **US D489,825 S**
(45) **Date of Patent:** **** May 11, 2004**

(54) **LENS BLOCKER**
(75) **Inventors:** **Mark Donald Wagner**, Afton, VA (US); **Daniel Edward Andrews**, Charlottesville, VA (US); **David William Gerding**, Barboursville, VA (US); **Henrik Arthur Schutz**, Troy, VA (US); **Jennifer Snyder Shanks**, Charlottesville, VA (US); **David Matthew Smith**, Waynesboro, VA (US)

(73) **Assignee:** **National Optronics, Inc.**, Charlottesville, VA (US)

(**) **Term:** **14 Years**

(21) **Appl. No.:** **29/167,195**

(22) **Filed:** **Sep. 11, 2002**

(51) **LOC (7) Cl.** **24-01**

(52) **U.S. Cl.** **D24/172**

(58) **Field of Search** D24/172; 356/124, 356/127, 601; 451/5, 6, 42, 384, 390

5,919,080 A	7/1999	Savoie	
5,960,550 A	10/1999	Weir et al.	
6,011,630 A	1/2000	Shanbaum	
6,012,965 A	1/2000	Savoie	
6,045,432 A	4/2000	Shibata	
6,056,633 A	5/2000	Sesena	
6,095,896 A	8/2000	Kobayashi	
6,099,383 A	8/2000	Mizuno	
6,220,929 B1	4/2001	Mizuno	
6,234,869 B1	5/2001	Kobayashi et al.	
6,250,989 B1	6/2001	Mizuno	
6,283,826 B1	9/2001	Mizuno	
6,328,628 B1	12/2001	Mizuno et al.	
6,328,635 B1	12/2001	Suzuki	
6,381,012 B1 *	4/2002	Yancy 356/124

* cited by examiner

Primary Examiner—Stella Reid
(74) *Attorney, Agent, or Firm*—Liniak, Berenato & White, LLC

(57) **CLAIM**

The ornamental design for a lens blocker, as shown and described.

(56) **References Cited**

U.S. PATENT DOCUMENTS

4,206,549 A	6/1980	Gould	
4,330,203 A *	5/1982	Oppenheim et al. 356/127
4,372,368 A	2/1983	Lombard	
4,977,675 A	12/1990	Jewett, Sr.	
5,283,980 A	2/1994	Lohrenz et al.	
5,425,665 A *	6/1995	Kennedy 451/5
5,498,200 A *	3/1996	Werner 451/460
5,505,654 A *	4/1996	Wood et al. 451/6
5,648,025 A *	7/1997	Cook et al. 264/1.36
5,720,647 A	2/1998	Gottschald	
5,721,644 A	2/1998	Murray	

DESCRIPTION

FIG. 1 is a front elevational view of a lens blocker, showing our new design;
FIG. 2 is a rear elevational view;
FIG. 3 is a right side elevational view;
FIG. 4 is a left side elevational view;
FIG. 5 is a top plan view;
FIG. 6 is a bottom plan view;
FIG. 7 is a front perspective view; and,
FIG. 8 is a rear perspective view.

1 Claim, 8 Drawing Sheets

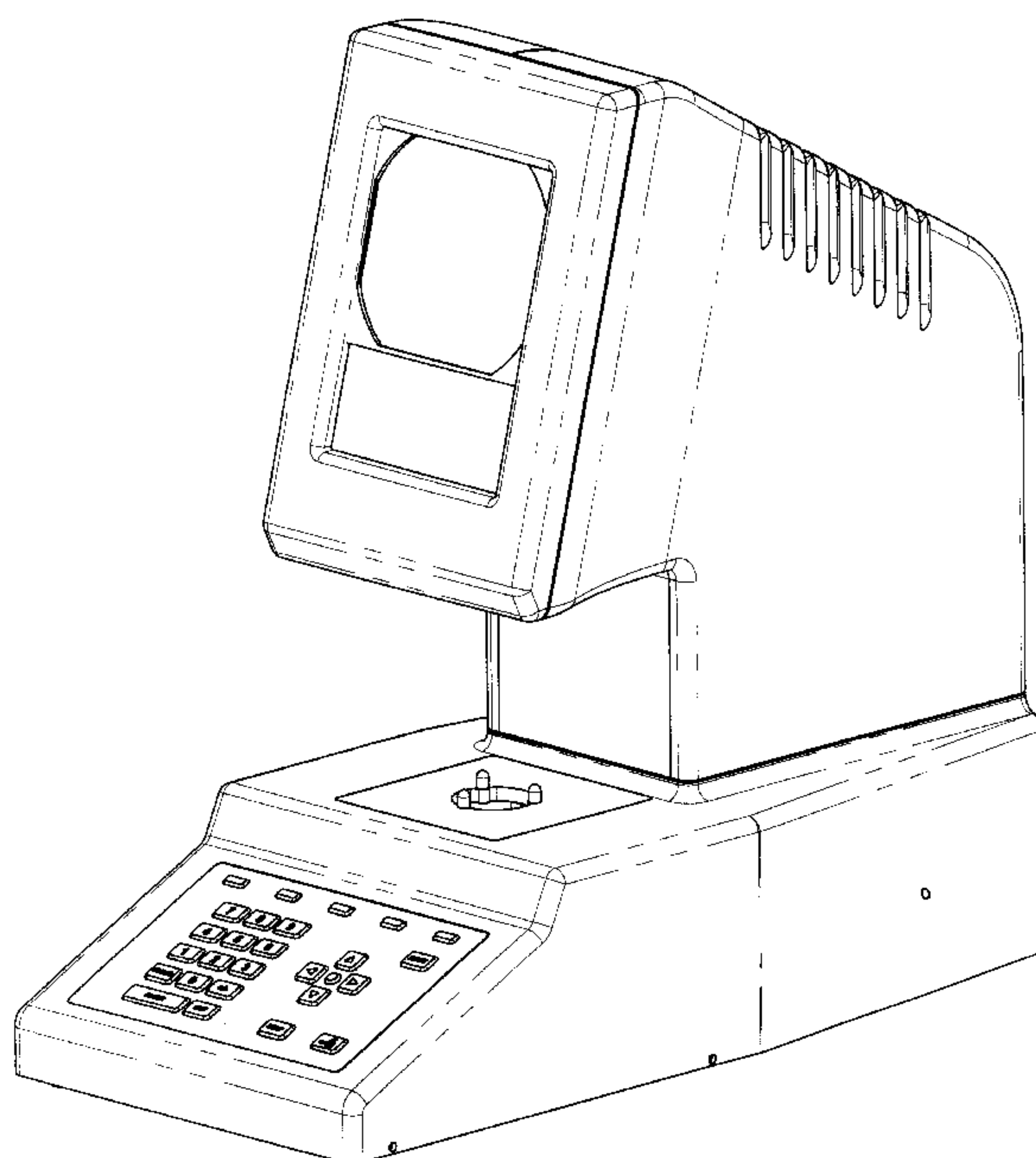


Fig. 1

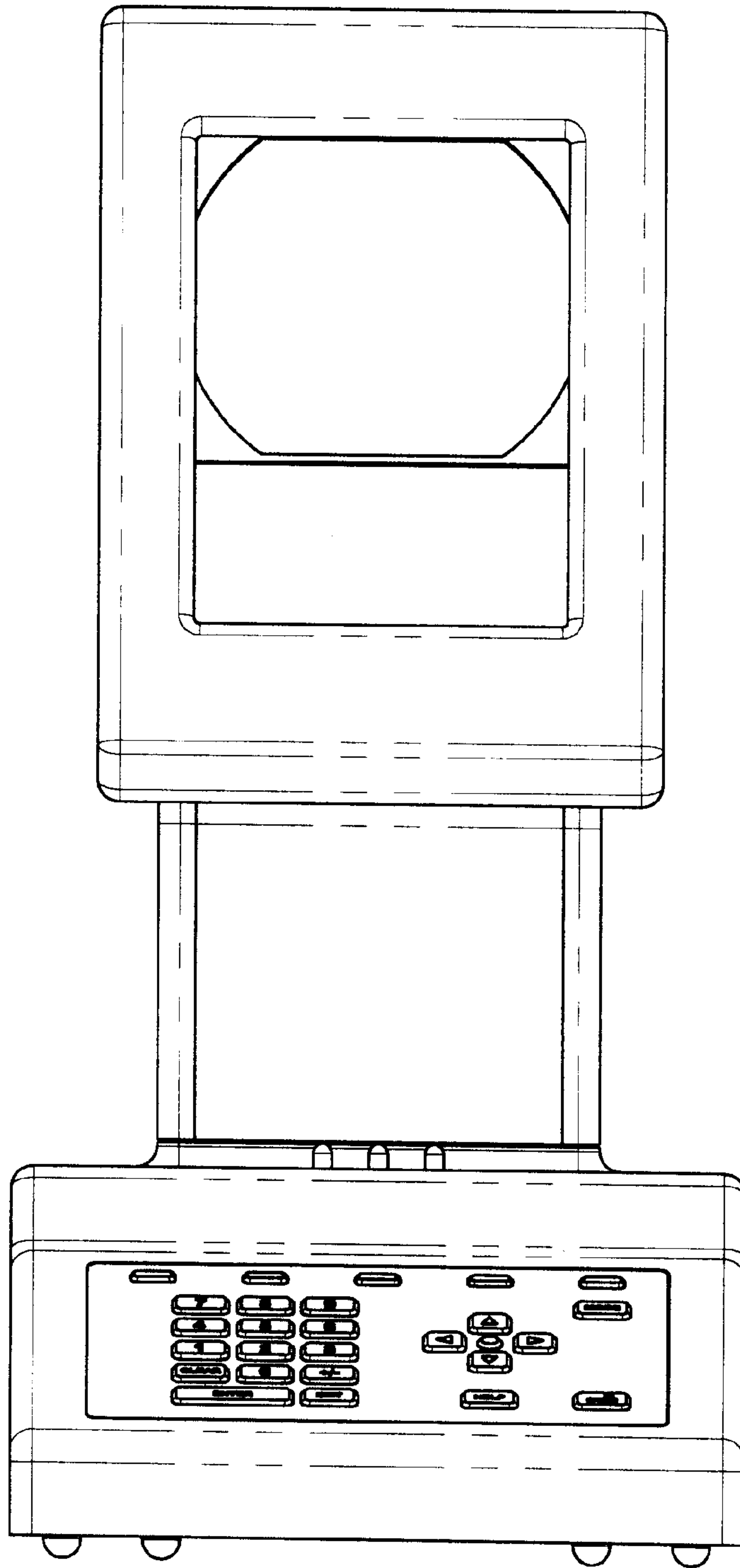


Fig. 2

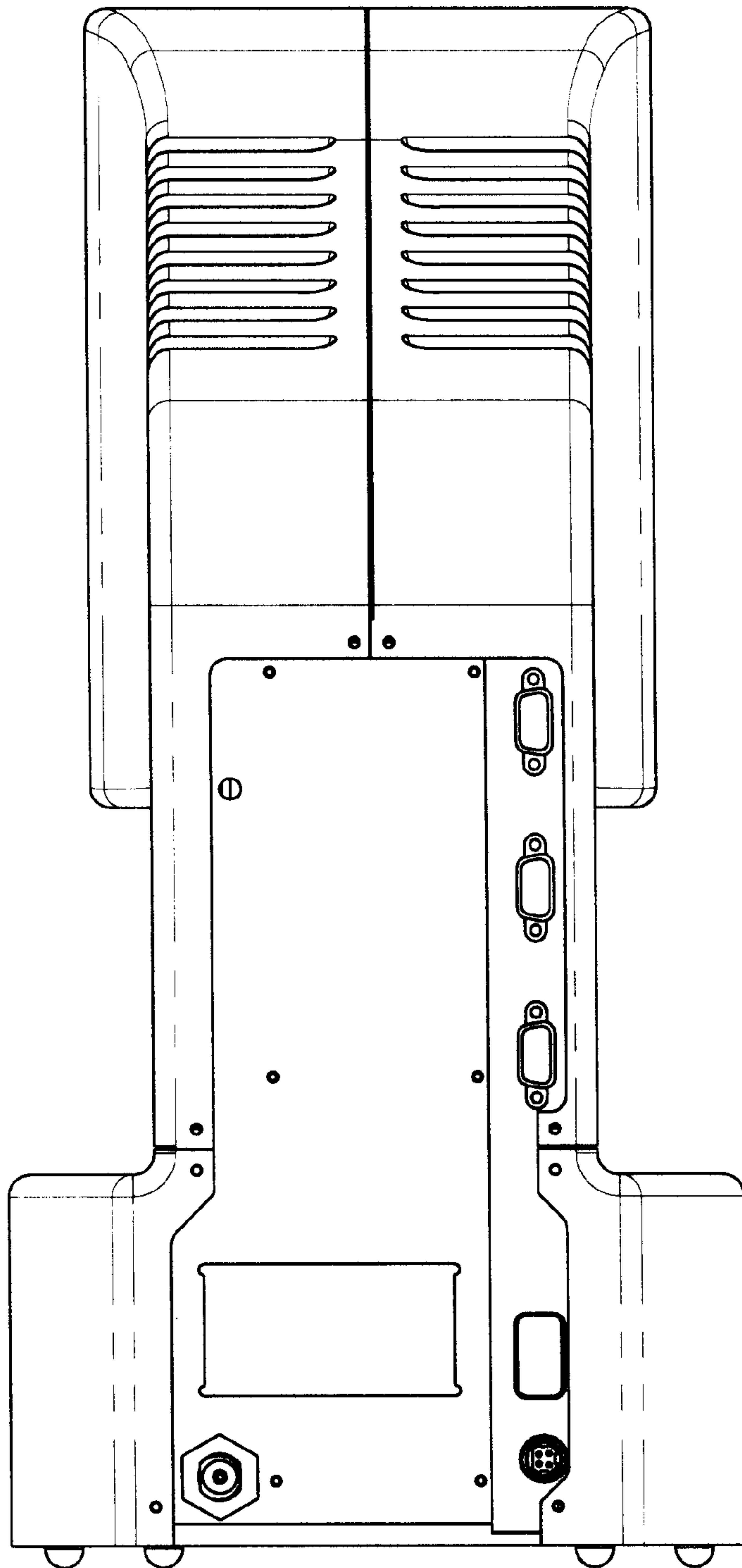


Fig. 3

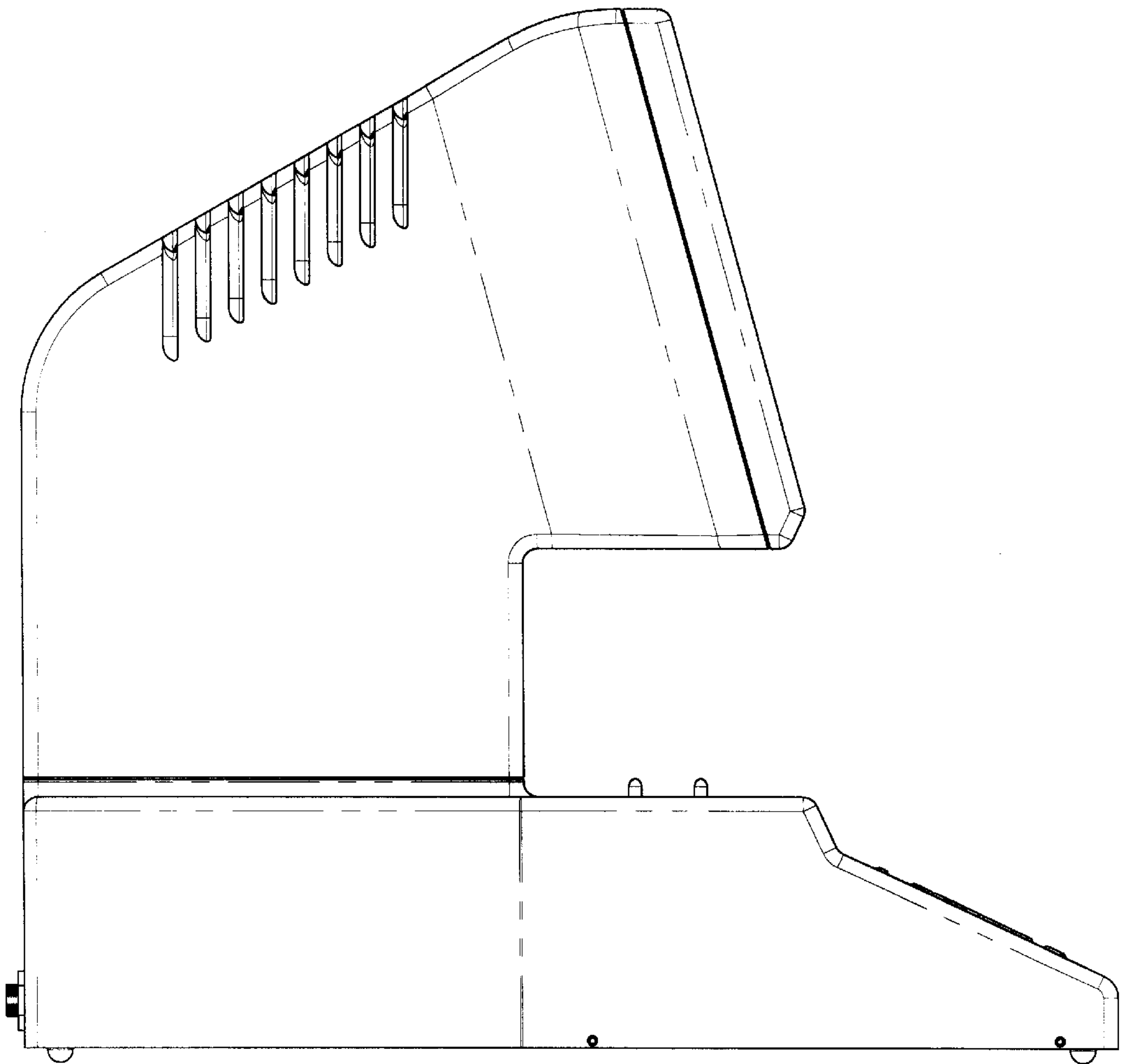


Fig. 4

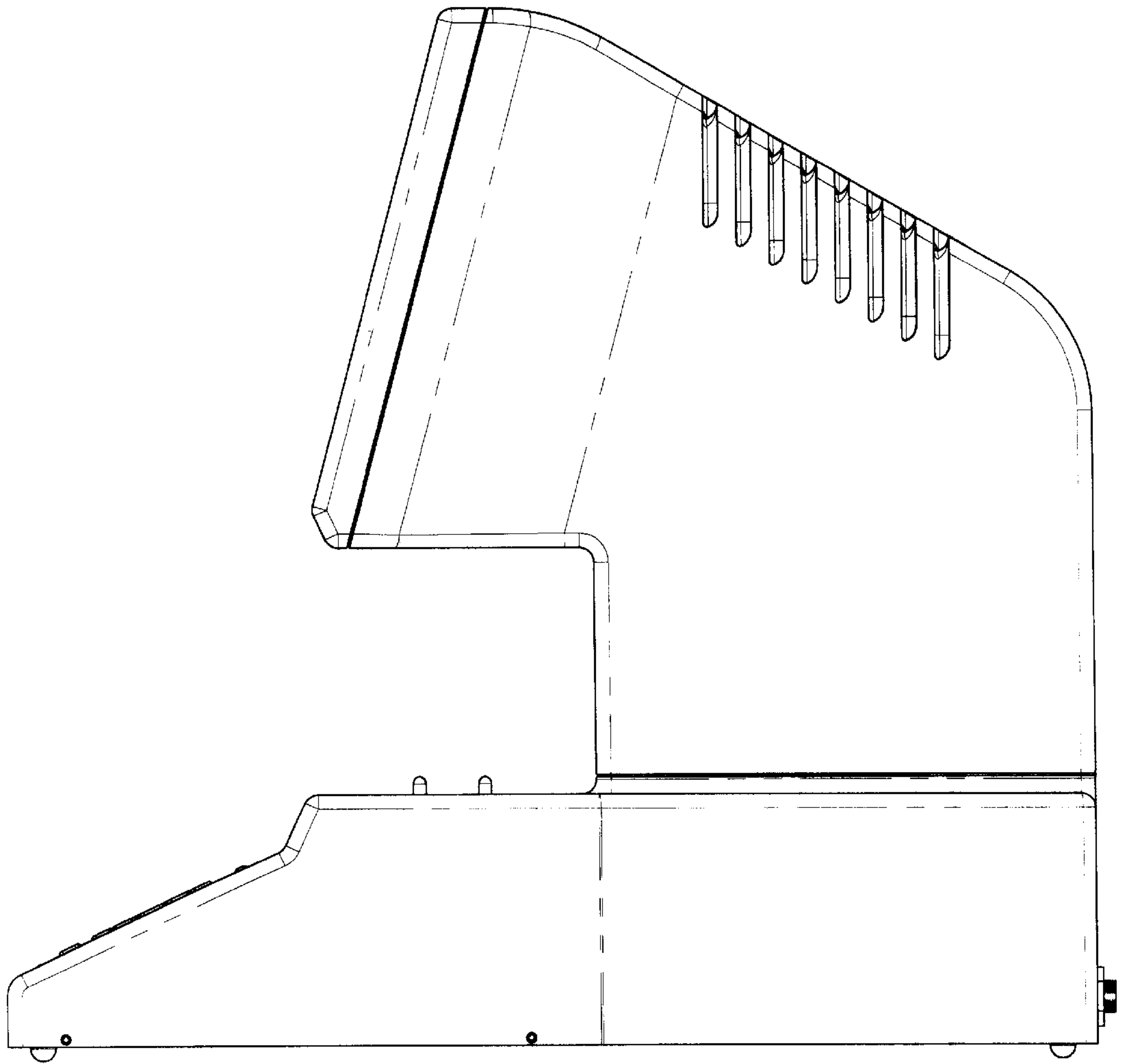


Fig. 5

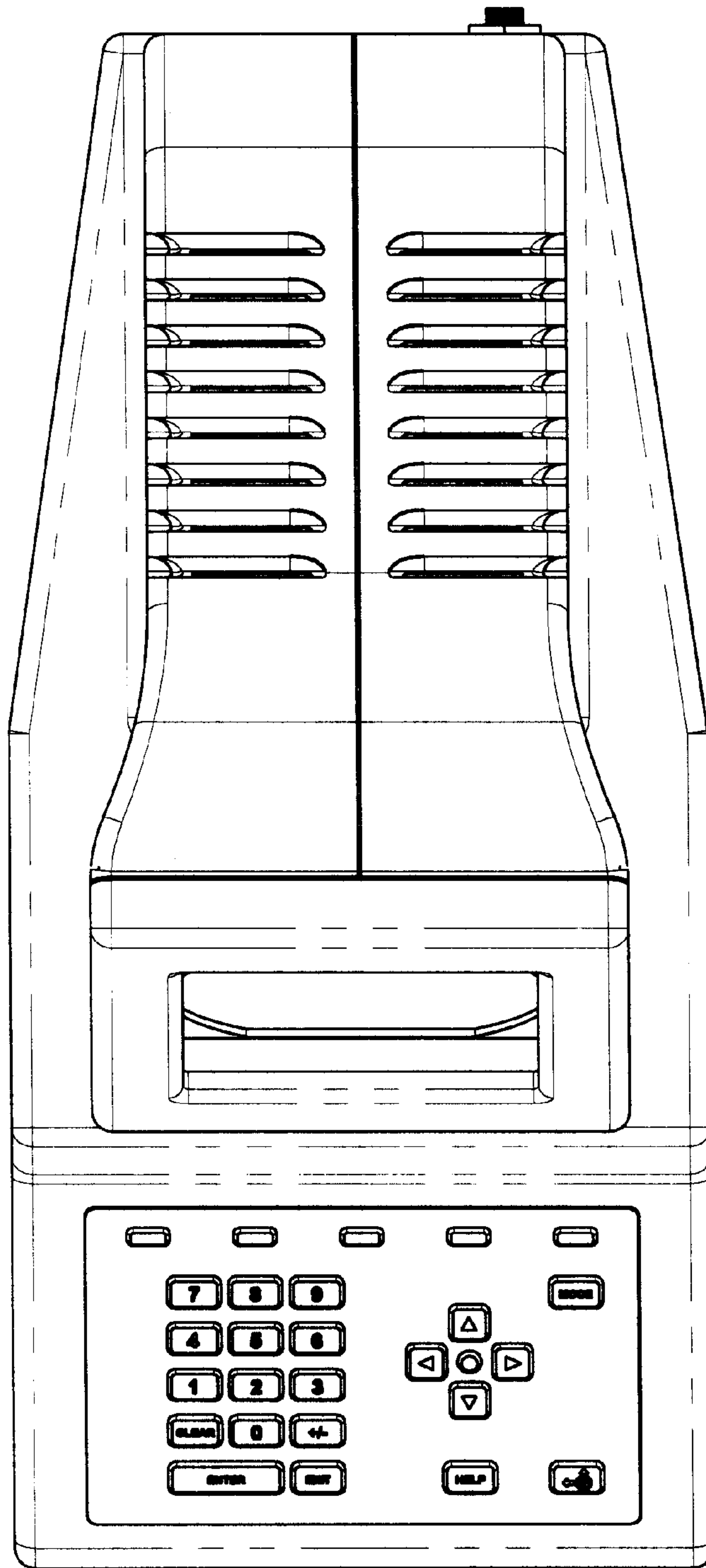


Fig. 6

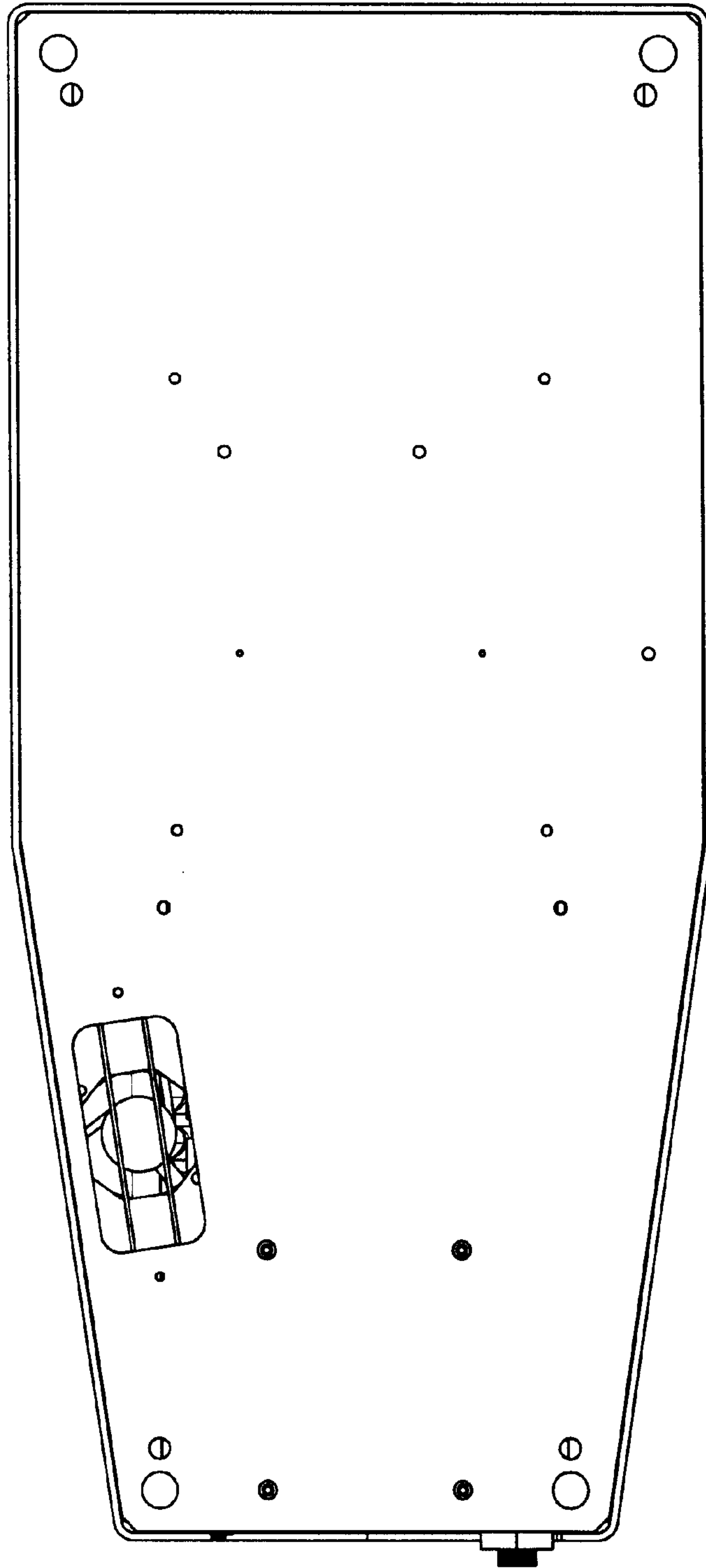


Fig. 7

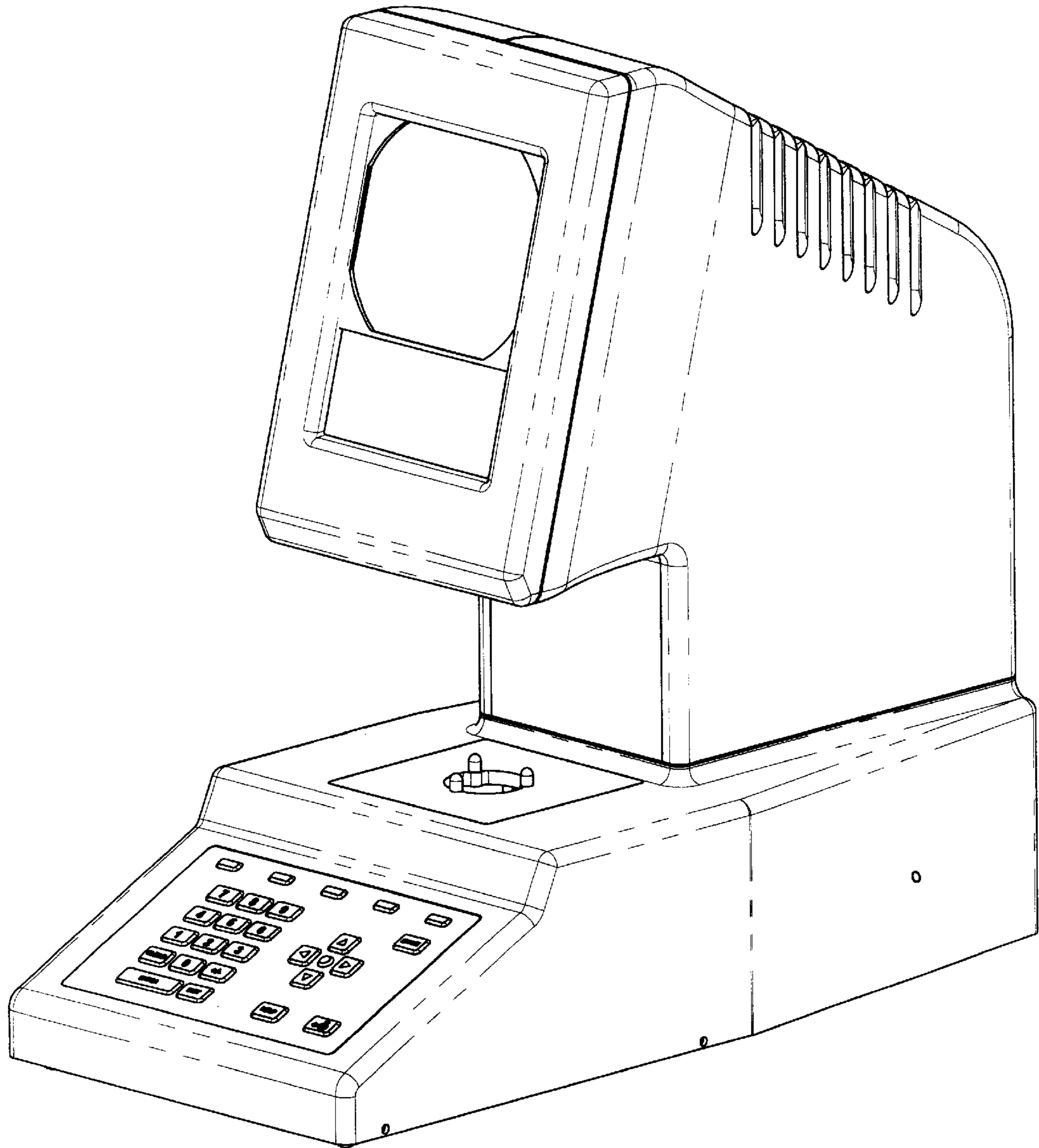


Fig. 8

