



US00D489819S

(12) **United States Design Patent**  
**Ford**

(10) **Patent No.:** **US D489,819 S**

(45) **Date of Patent:** **\*\* May 11, 2004**

(54) **SYRINGE**

D470,234 S \* 2/2003 Mahurkar ..... D24/114

\* cited by examiner

(76) Inventor: **Ian Conrad Ford**, P O Box 1130,  
Randburg, Gauteng (ZA), 2195

*Primary Examiner*—Ian Simmons  
(74) *Attorney, Agent, or Firm*—Keusey, Tutunjian &  
Bitetto, P.C.

(\*\*) Term: **14 Years**

(21) Appl. No.: **29/167,501**

(57) **CLAIM**

(22) Filed: **Sep. 17, 2002**

The ornamental design of a syringe, as shown and described.

(51) **LOC (7) Cl.** ..... **24-02**

**DESCRIPTION**

(52) **U.S. Cl.** ..... **D24/114; D24/112**

(58) **Field of Search** ..... D24/114, 112,  
D24/141; 604/192, 218, 187, 173; 600/573,  
577, 578, 570

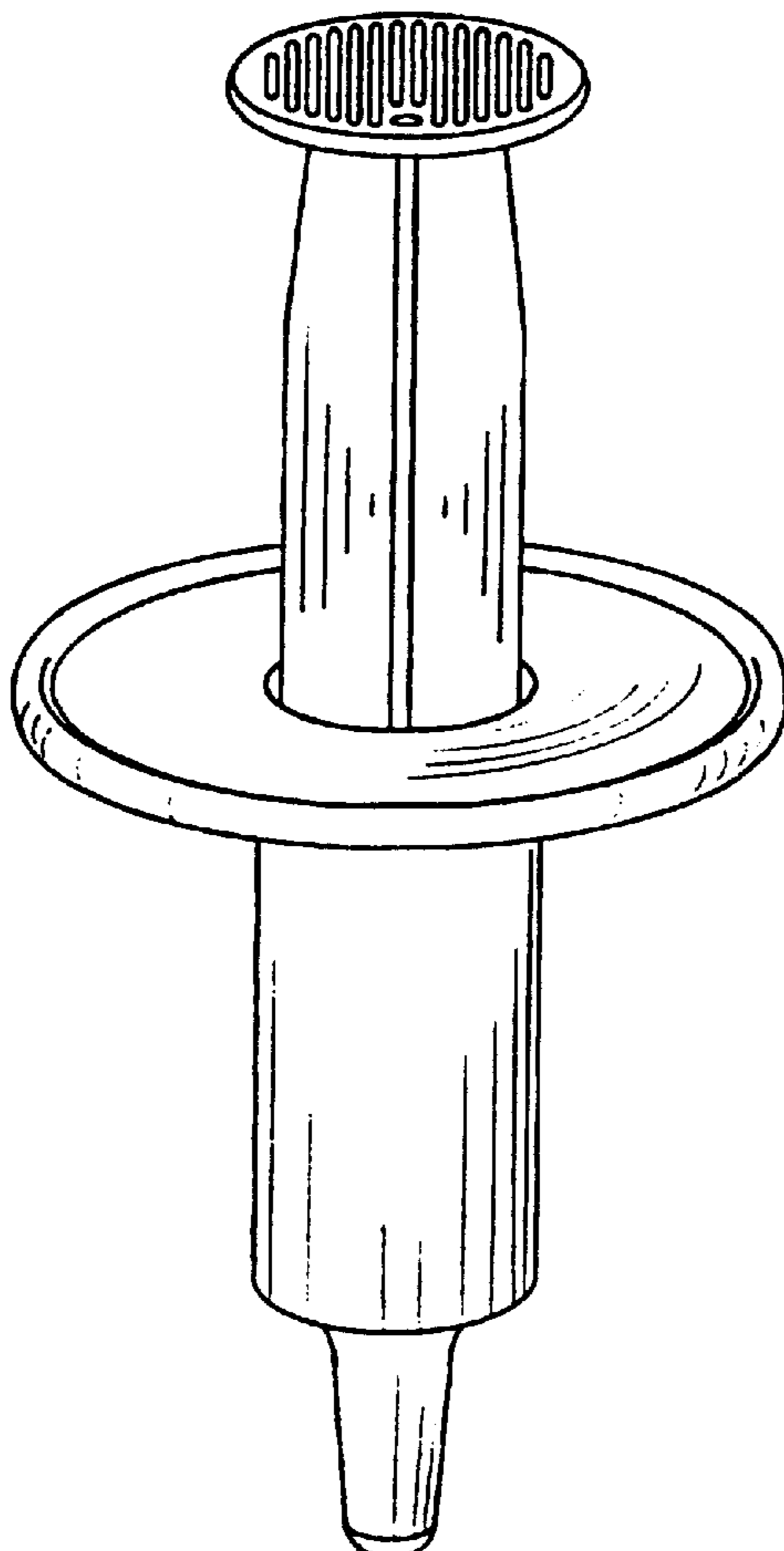
FIG. 1 is a top perspective view of the syringe of the invention with its plunger in a retracted position;  
FIG. 2 is a top plan view;  
FIG. 3 is a bottom plan view;  
FIG. 4 is a view in elevation of the syringe from the front side, the view in elevation from the rear, left and right sides being identical;  
FIG. 5 is a top perspective view of the syringe of the invention with its plunger in the depressed position;  
FIG. 6 is a top plan view;  
FIG. 7 is a bottom plan view; and,  
FIG. 8 is a view in elevation of the syringe from the front side, the views in elevation from the rear, left and right sides being identical.

(56) **References Cited**

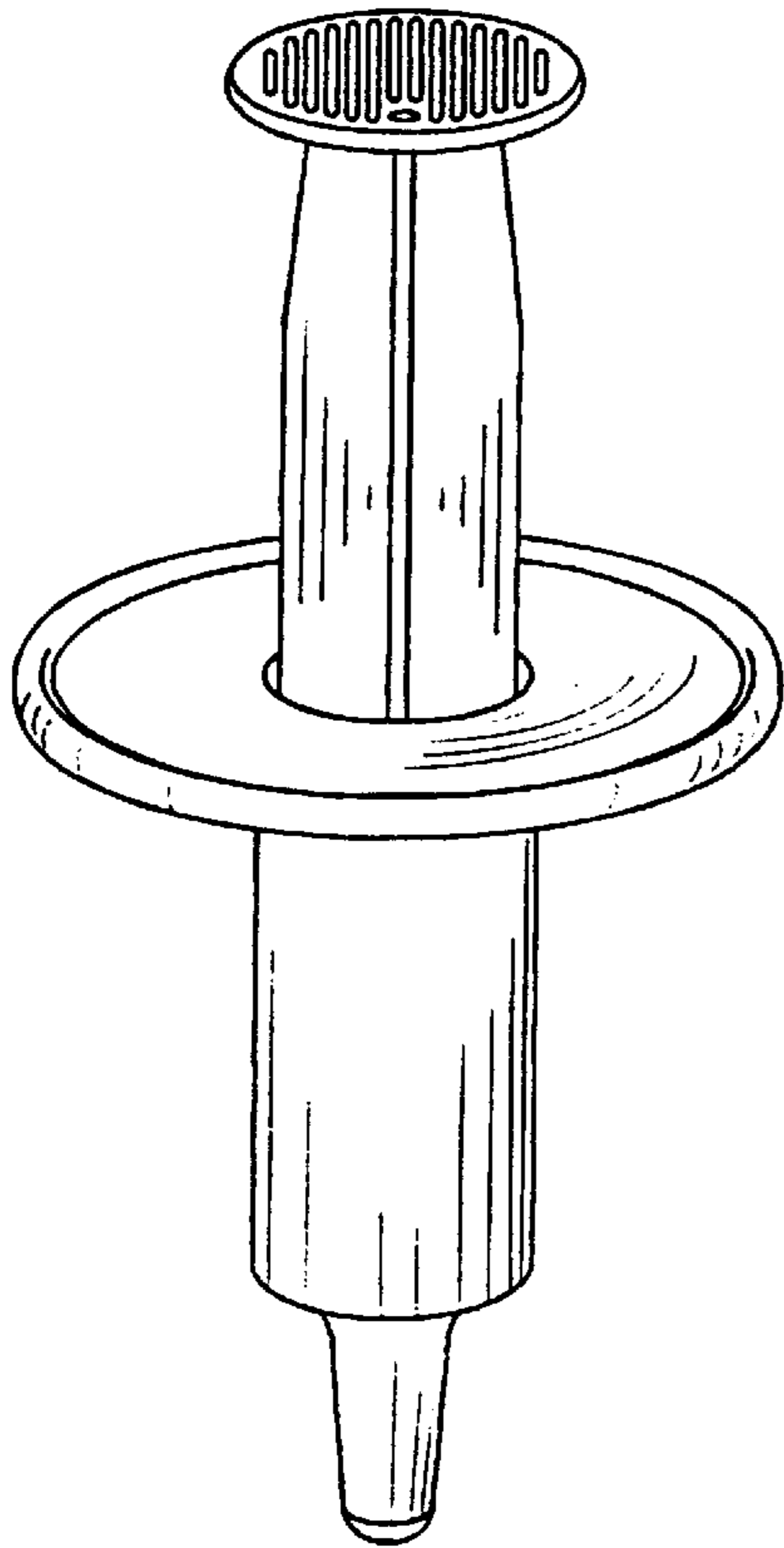
**U.S. PATENT DOCUMENTS**

3,436,828	A	*	4/1969	Dragan	.....	D24/114
4,248,228	A		2/1981	Silver		
4,784,641	A	*	11/1988	White	.....	D24/114
4,936,315	A	*	6/1990	Lineback	.....	600/578
5,275,582	A	*	1/1994	Wimmer	.....	604/218
5,429,599	A	*	7/1995	Heinke	.....	D24/114
5,722,955	A	*	3/1998	Racz	.....	604/218
5,843,043	A		12/1998	Markus		

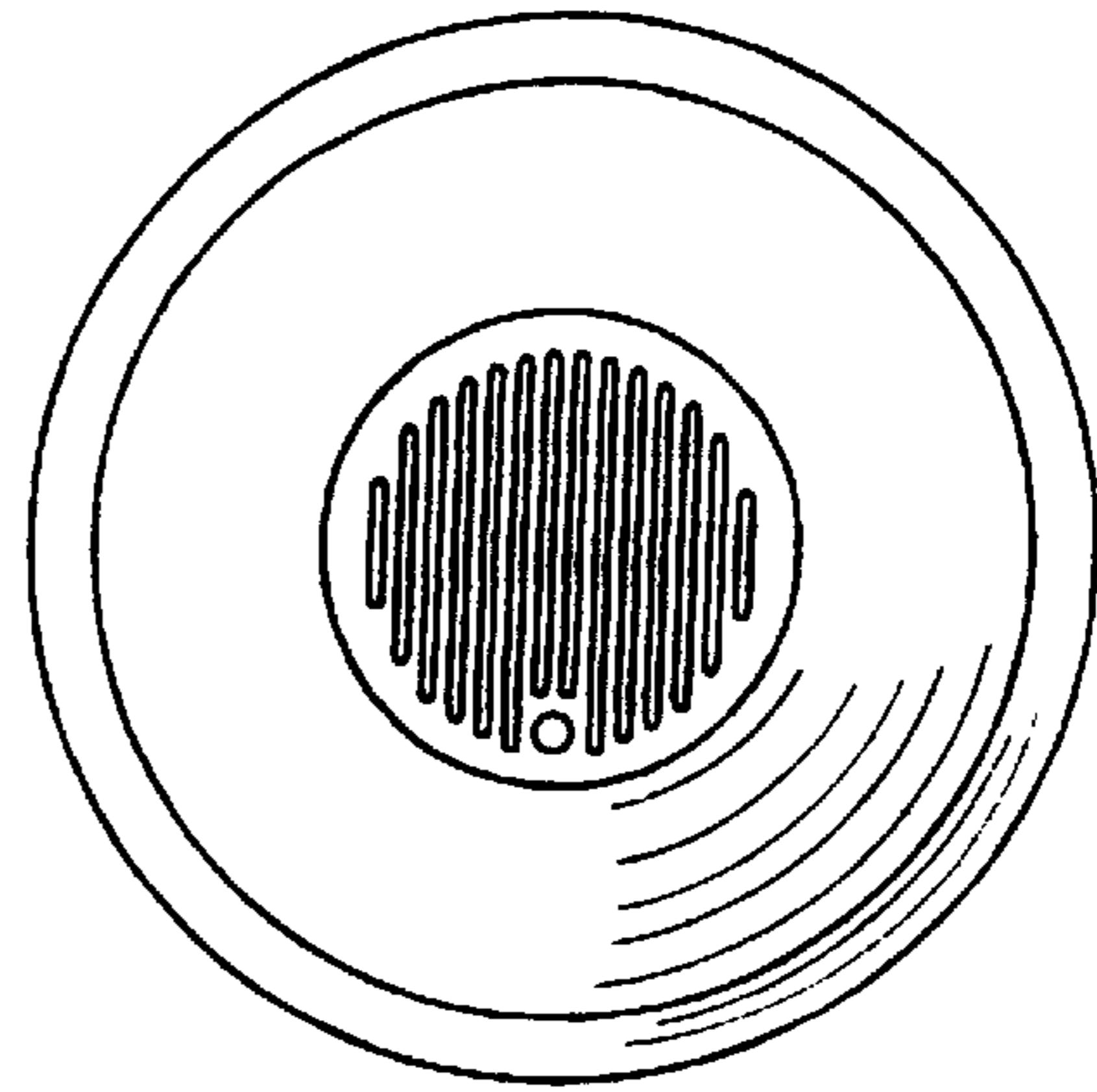
**1 Claim, 2 Drawing Sheets**



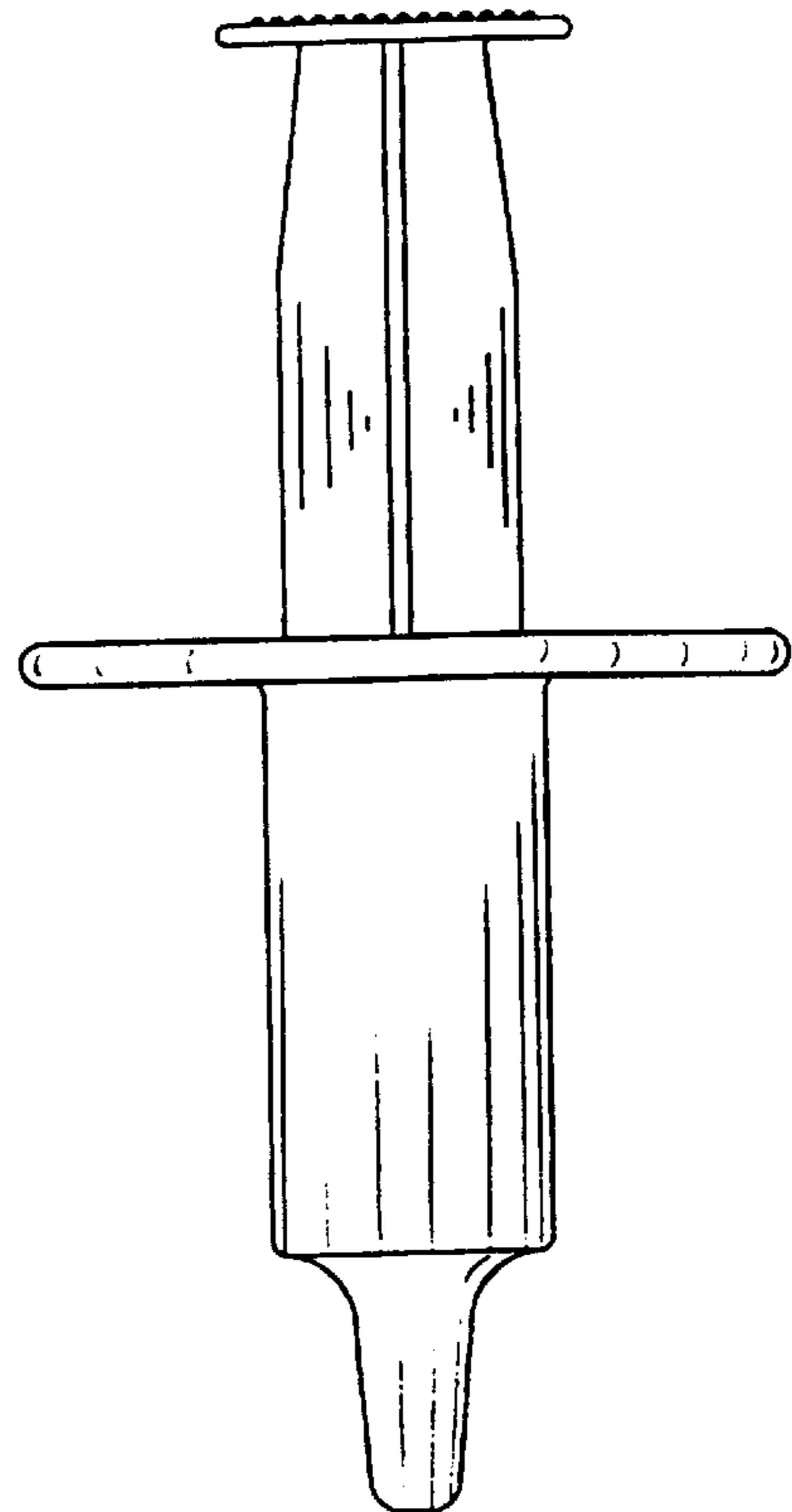
**FIGURE 1**



**FIGURE 2**



**FIGURE 4**



**FIGURE 3**

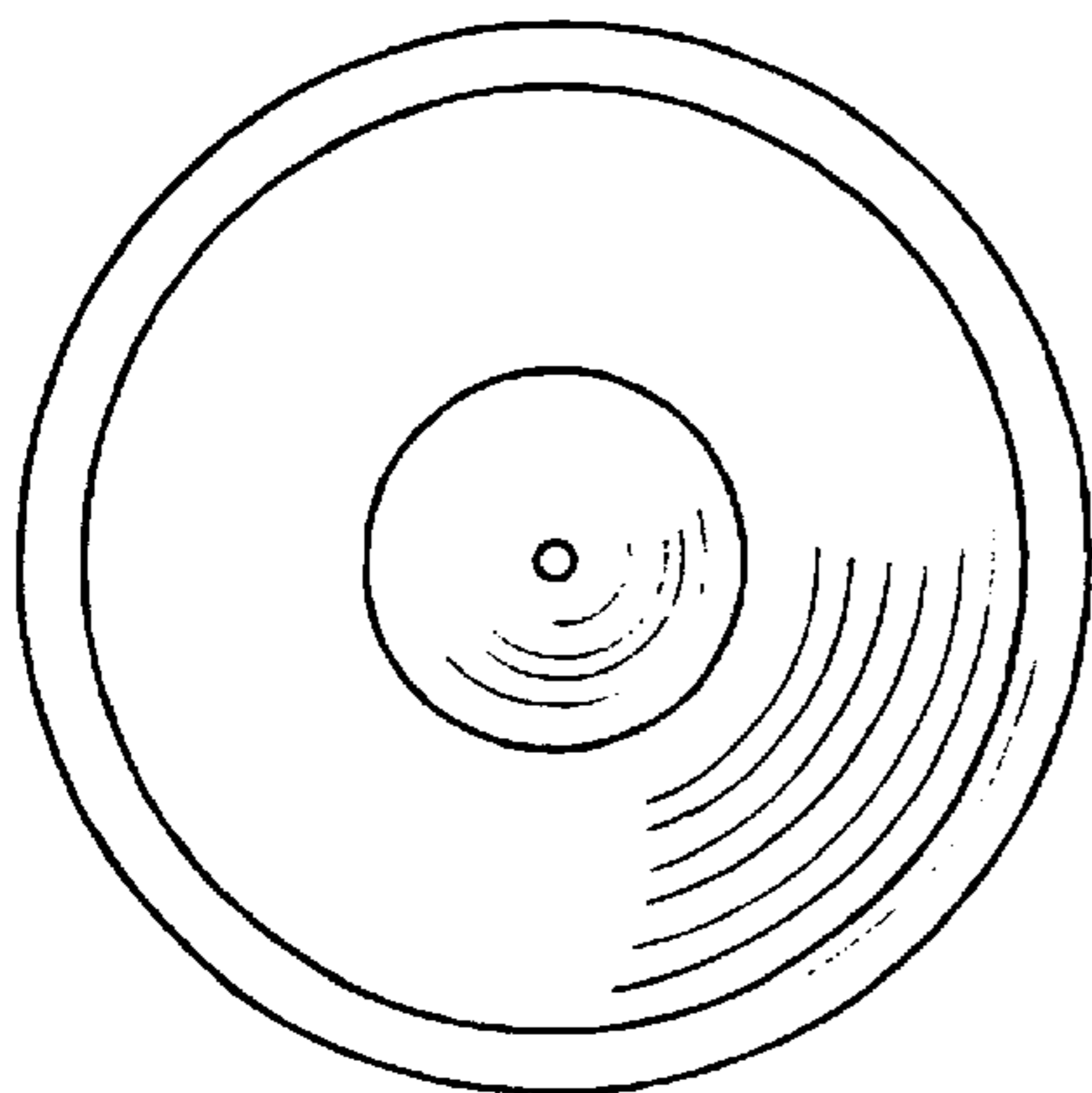


FIGURE 5

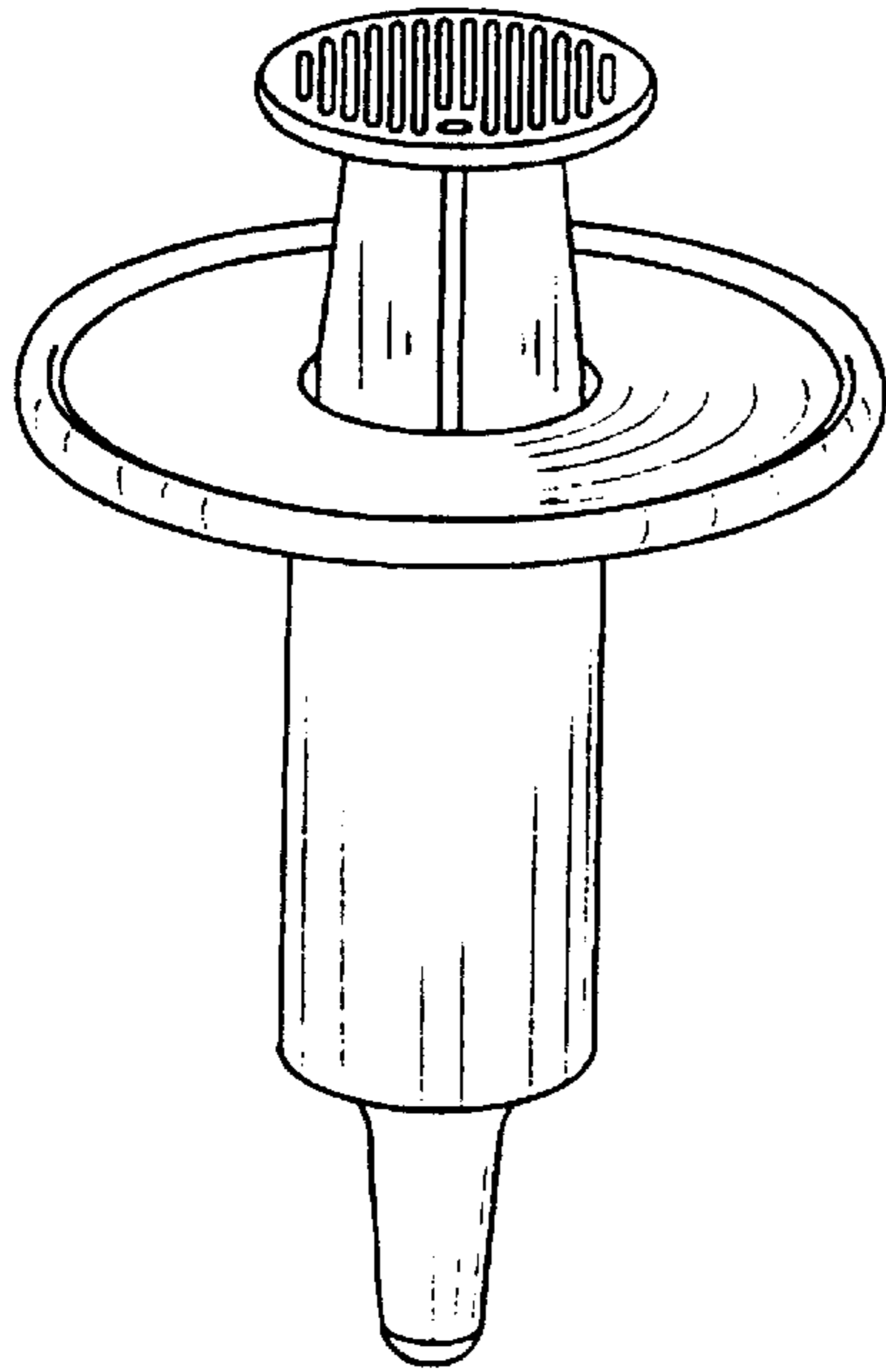


FIGURE 6

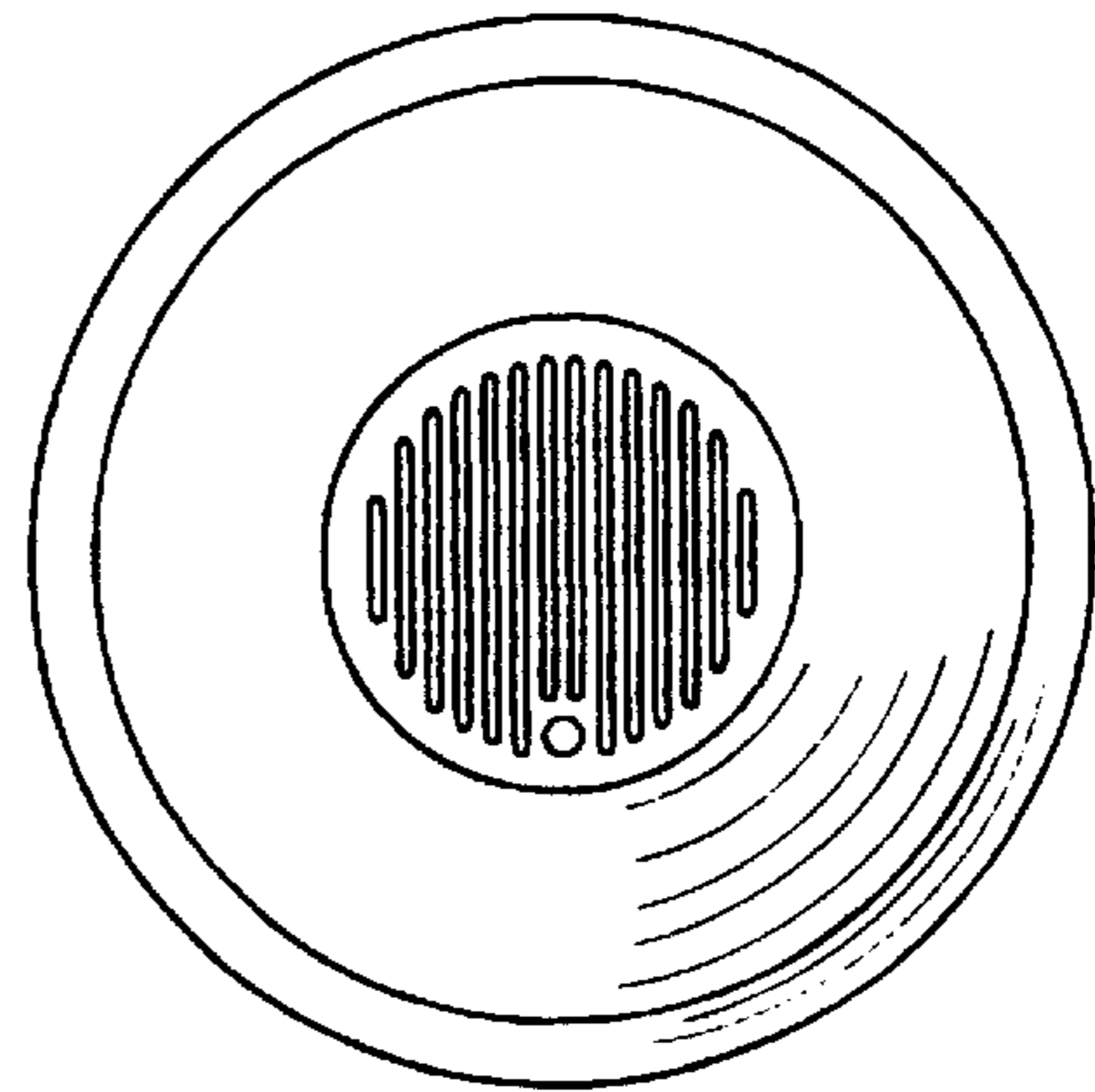


FIGURE 7

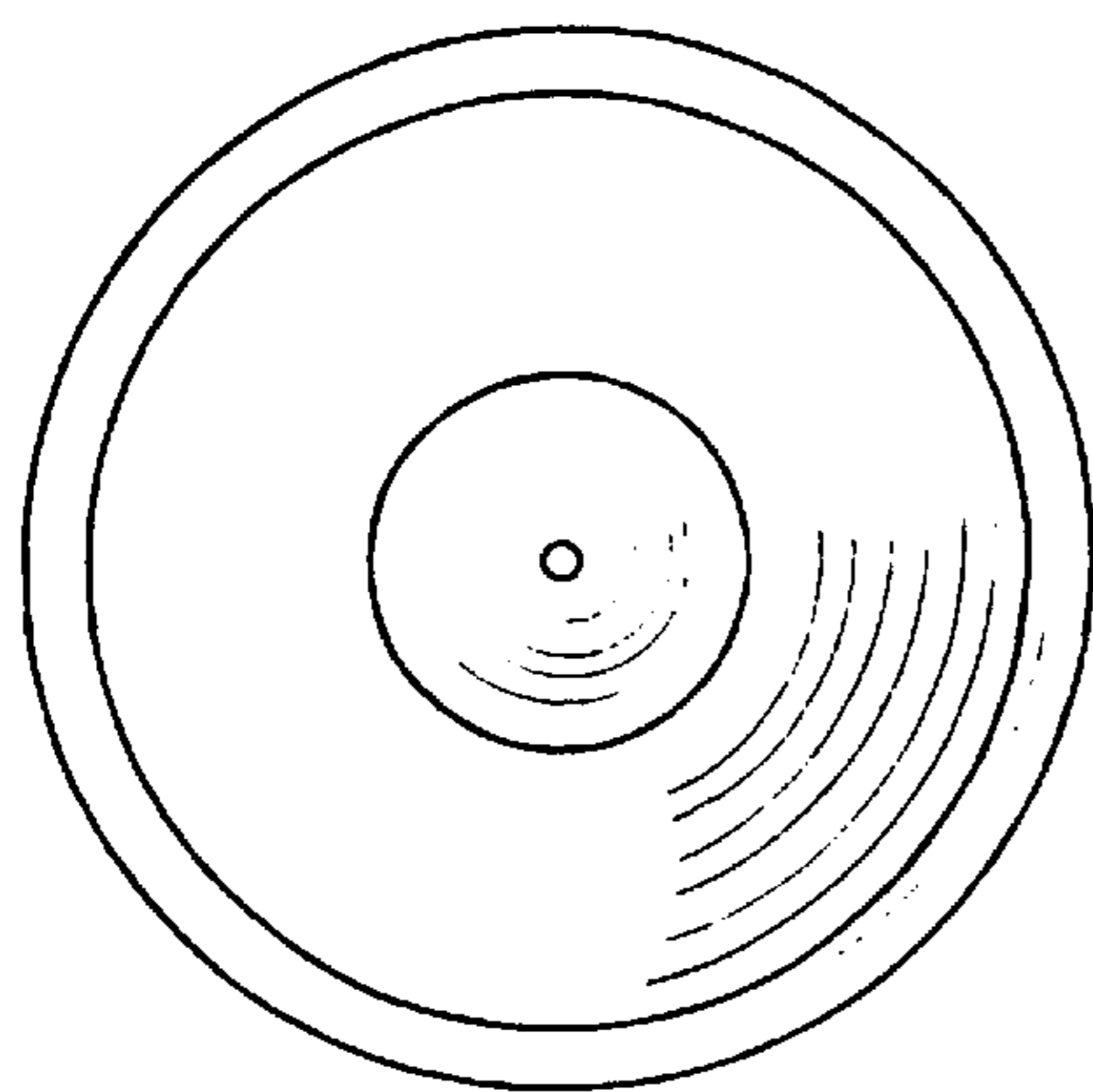


FIGURE 8

