



US00D489817S

(12) **United States Design Patent**  
**Ankey et al.**

(10) **Patent No.:** **US D489,817 S**

(45) **Date of Patent:** **\*\* May 11, 2004**

(54) **PATIENT INTERFACE DEVICE**

(75) Inventors: **David W. Ankey**, New Kensington, PA (US); **Jason P. Eaton**, Monroeville, PA (US); **Steven Radney**, Carnegie, PA (US)

(73) Assignee: **RIC Investments, Inc.**, Wilmington, DE (US)

(\*\*) Term: **14 Years**

(21) Appl. No.: **29/166,792**

(22) Filed: **Sep. 4, 2002**

(51) **LOC (7) Cl.** ..... **29-02**

(52) **U.S. Cl.** ..... **D24/110.4; D24/110.1**

(58) **Field of Search** ..... D24/110.1, 110.4, D24/164; 128/206.27, 207.17, 202.27, 204.11, 205.25, 207.13, 207.11, 207.18, 206.21

(56) **References Cited**

**U.S. PATENT DOCUMENTS**

2,011,733 A	8/1935	Shindel
2,104,016 A	1/1938	Biggs
2,254,854 A	9/1941	O'Connell
2,317,608 A	4/1943	Heidbrink
2,749,910 A	6/1956	Faulconer, Jr.
2,931,356 A	4/1960	Schwarz
2,939,458 A	6/1960	Lundquist
3,330,273 A	7/1967	Bennett
4,167,185 A	9/1979	Lewis
4,655,213 A	4/1987	Rapoport et al.
4,677,977 A	7/1987	Wilcox
4,739,755 A	4/1988	White et al.
4,907,584 A	3/1990	McGinnis
4,944,310 A	7/1990	Sullivan
D333,015 S	2/1993	Farmer et al.
5,243,971 A	9/1993	Sullivan et al.
D349,586 S	8/1994	Handke
5,492,116 A	2/1996	Scarberry et al.
5,540,223 A	7/1996	Starr et al.
5,560,354 A	10/1996	Berthon-Jones et al.
5,647,357 A	7/1997	Barnett et al.
5,662,101 A	9/1997	Ogden et al.

5,676,133 A	10/1997	Hickle et al.
D389,238 S	1/1998	Kirk, III et al.
5,724,965 A	3/1998	Handke et al.
5,746,201 A	5/1998	Kidd
D402,755 S	12/1998	Kwok
5,884,624 A	3/1999	Barnett et al.
D412,745 S	8/1999	Scheu
D431,077 S	9/2000	McGinnis et al.
D434,141 S	11/2000	Randeberg et al.
D439,326 S *	3/2001	Hecker et al. .... D24/110.1
D443,355 S *	6/2001	Gunaratnam et al. ... D24/110.4
D447,557 S	9/2001	Wilkie et al.

(List continued on next page.)

**FOREIGN PATENT DOCUMENTS**

WO WO 98-04310 2/1998

*Primary Examiner*—Ian Simmons

(74) *Attorney, Agent, or Firm*—Michael W. Haas

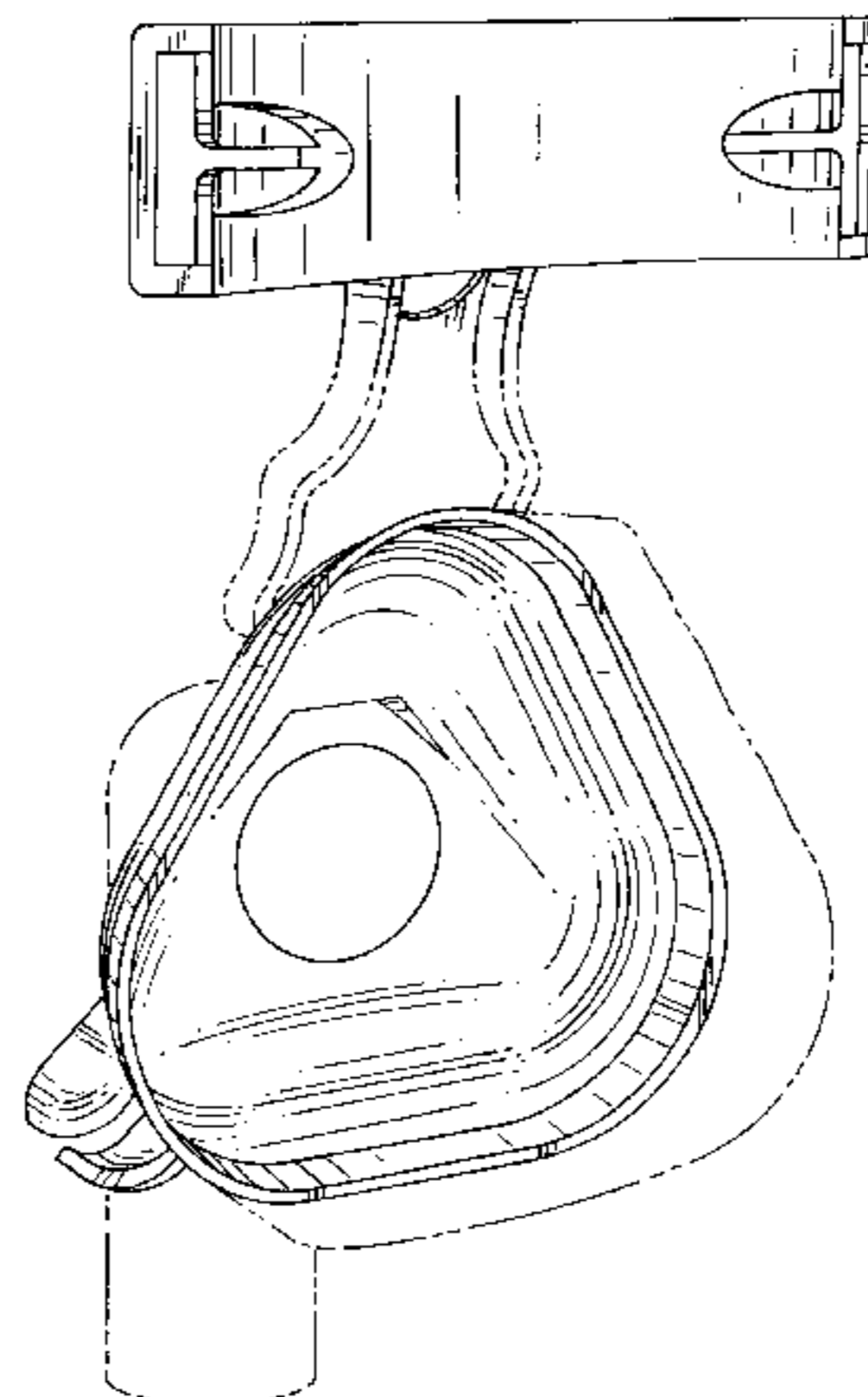
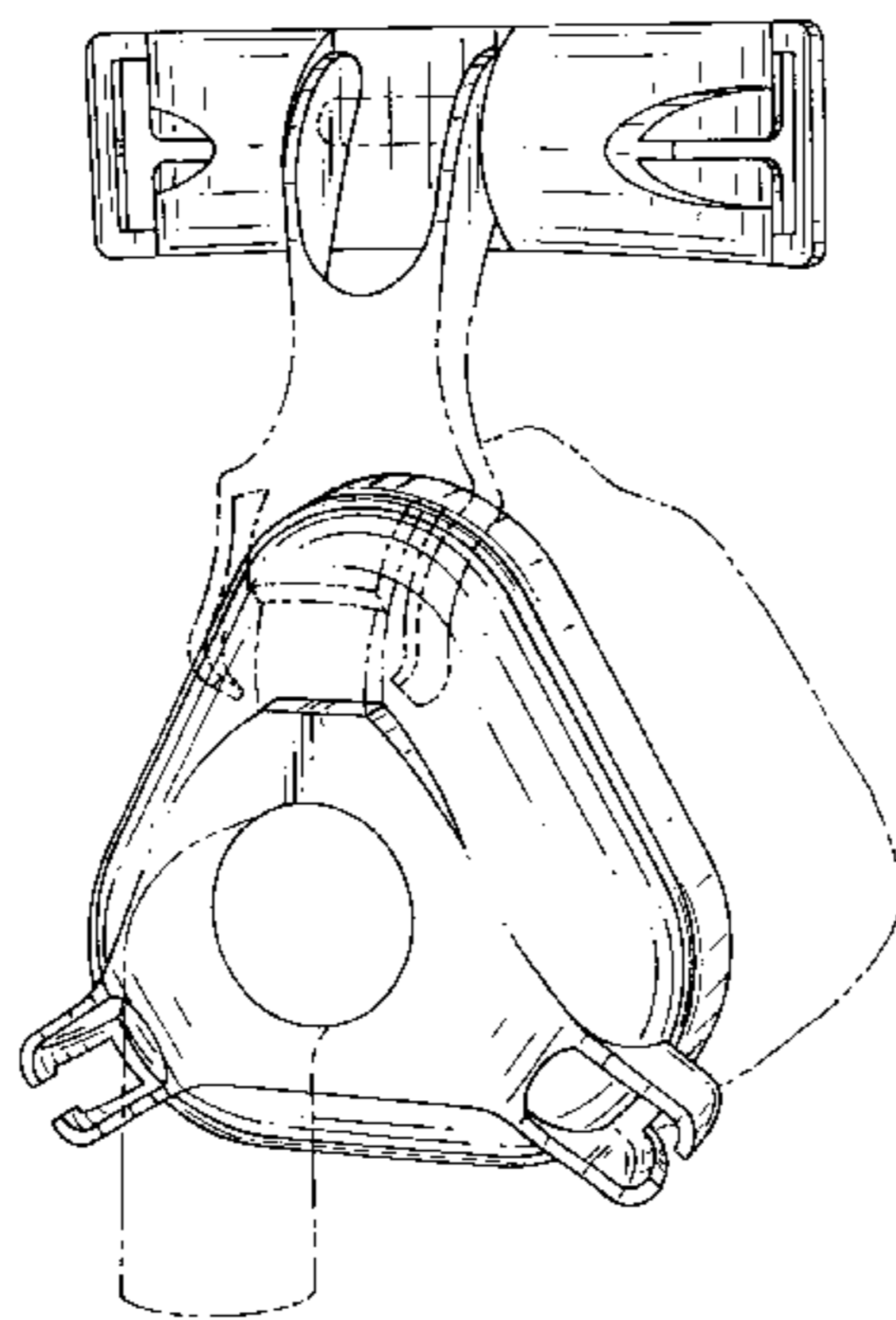
(57) **CLAIM**

The ornamental design for a patient interface device, as shown and described.

**DESCRIPTION**

FIG. 1 is a front perspective view of an embodiment of a patient interface device according to our new design; FIG. 2 is a rear perspective view of the patient interface device shown in FIG. 1; FIG. 3 is a front elevational view of the patient interface device shown in FIG. 1; FIG. 4 is a rear elevational view of the patient interface device shown in FIG. 1; FIG. 5 is a right side elevational view of the patient interface device shown in FIG. 1, the left side elevational view being similar thereto; FIG. 6 is a top plan view of the patient interface device shown in FIG. 1; and, FIG. 7 is a bottom plan view of the patient interface device shown in FIG. 1. The portions drawn in broken lines are shown for illustrative purposes only and form no part of the claimed design.

**1 Claim, 6 Drawing Sheets**



# US D489,817 S

Page 2

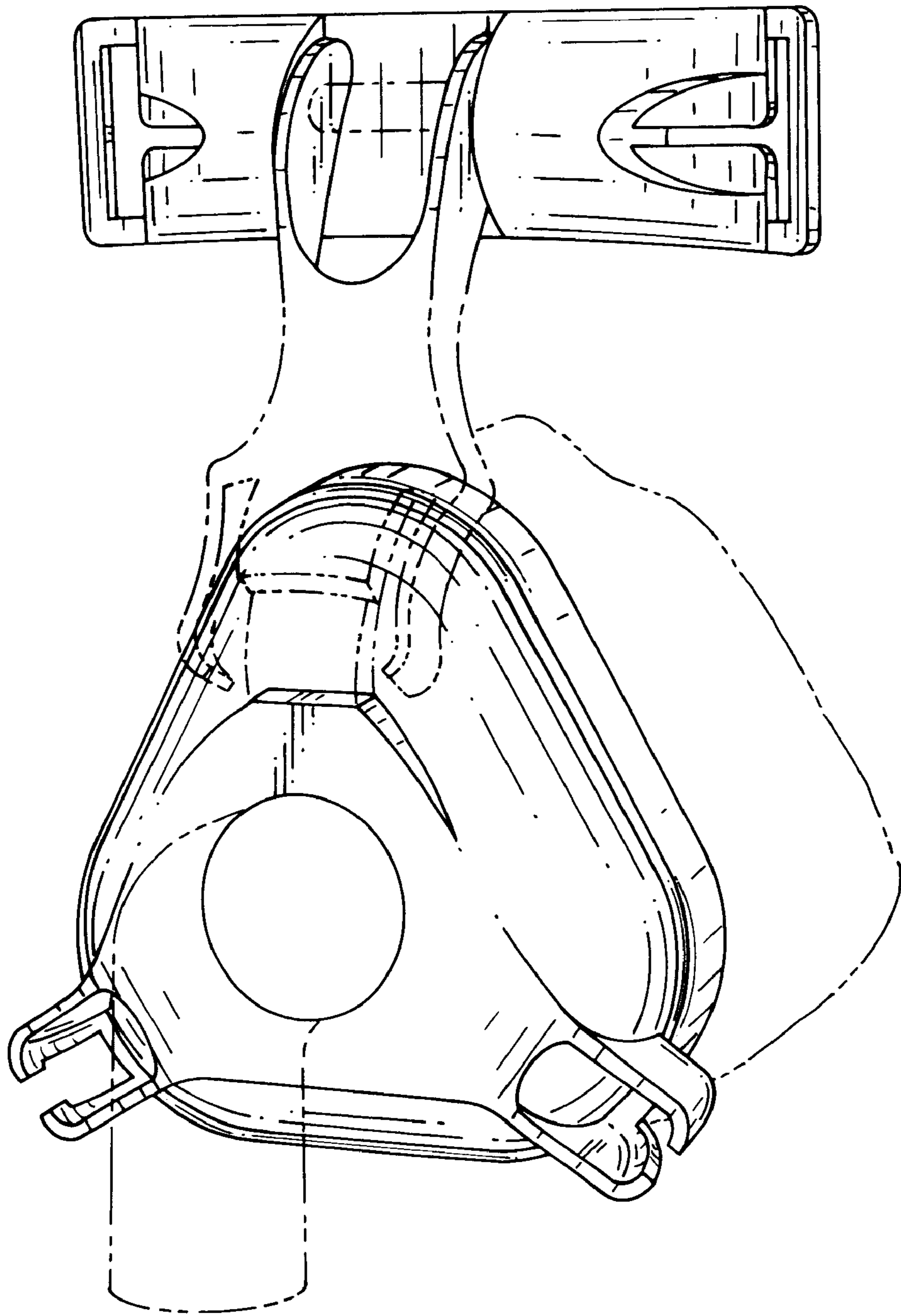
---

## U.S. PATENT DOCUMENTS

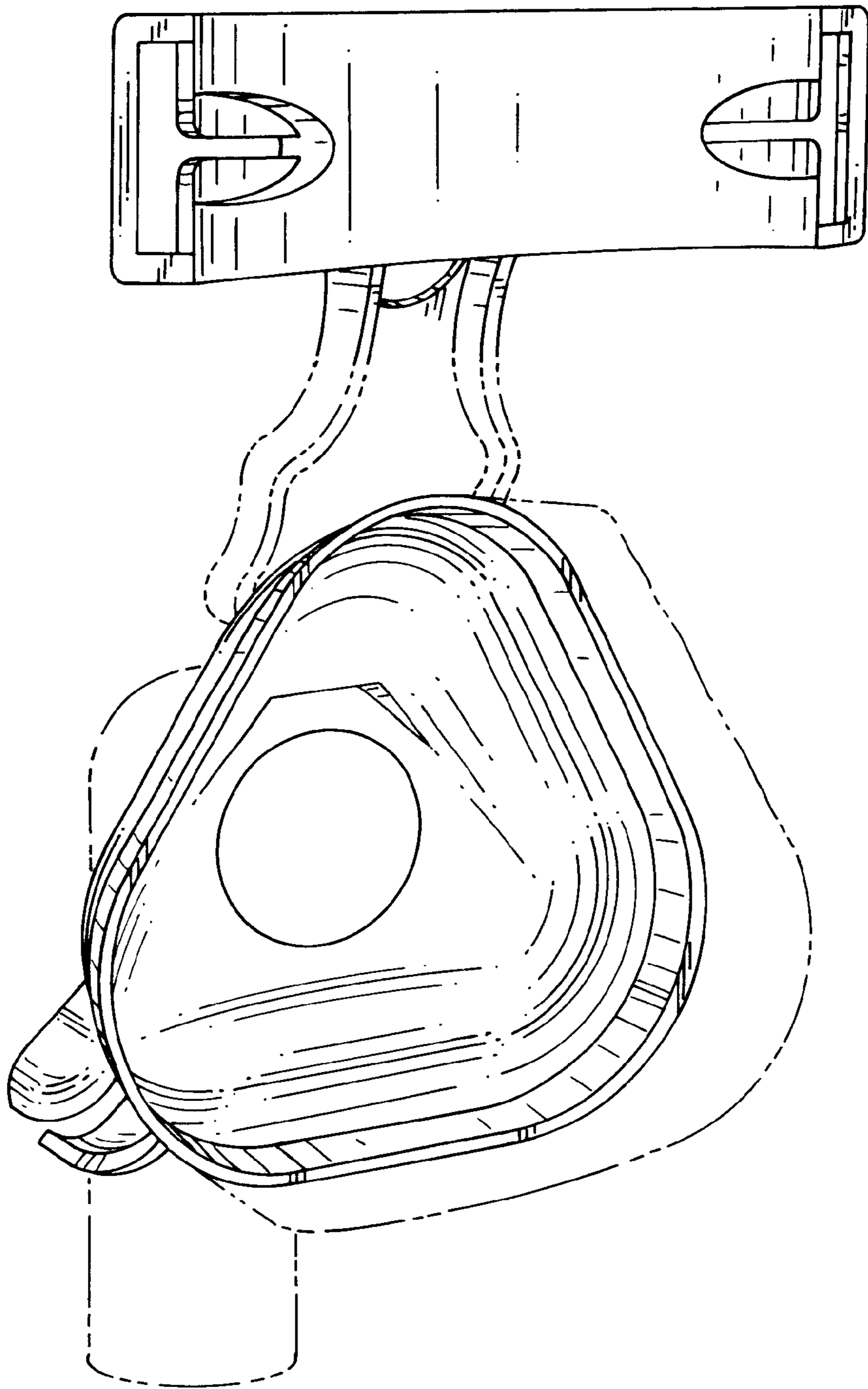
D448,473 S 9/2001 Barnett et al.  
D457,622 S 5/2002 Kopacko et al.  
D458,365 S 6/2002 Kopacko et al.  
D458,993 S 6/2002 Kopacko et al.

D459,800 S 7/2002 Smart  
6,520,182 B1 \* 2/2003 Gunaratnam ..... 128/206.27  
6,532,961 B1 \* 3/2003 Kwok et al. .... 128/206.21

\* cited by examiner



**FIG. 1**



**FIG. 2**



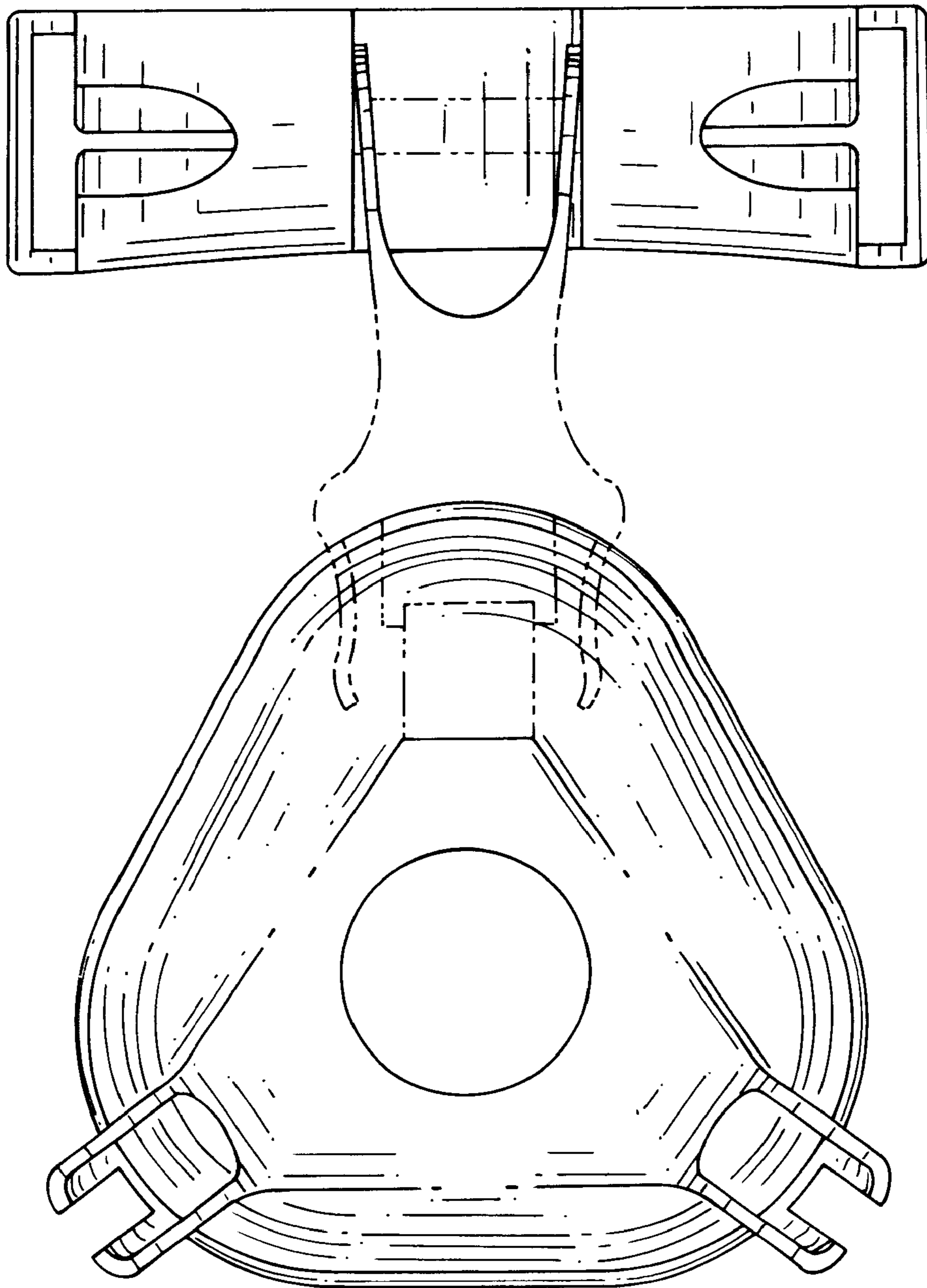
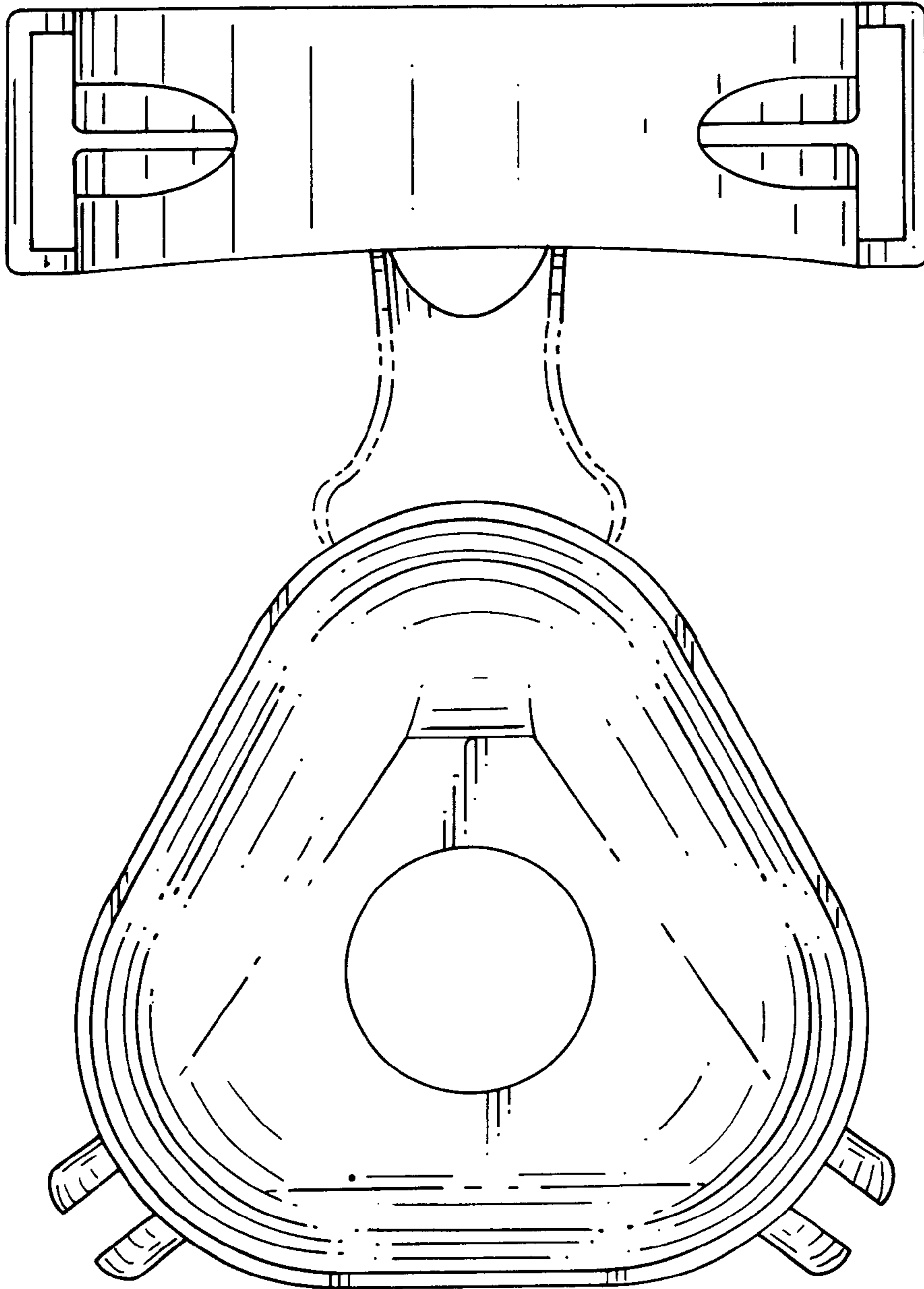
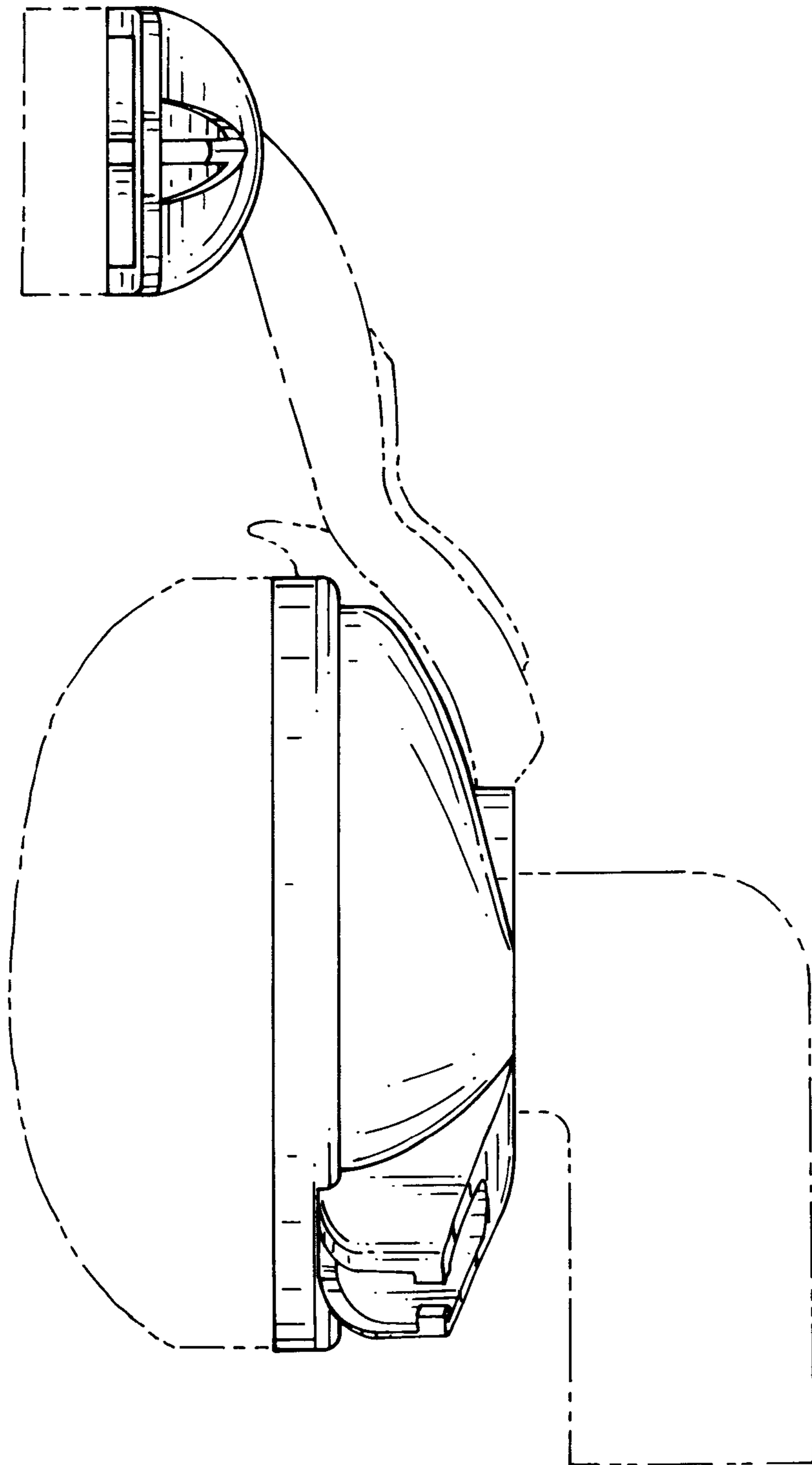


FIG. 3



**FIG. 4**



**FIG. 5**

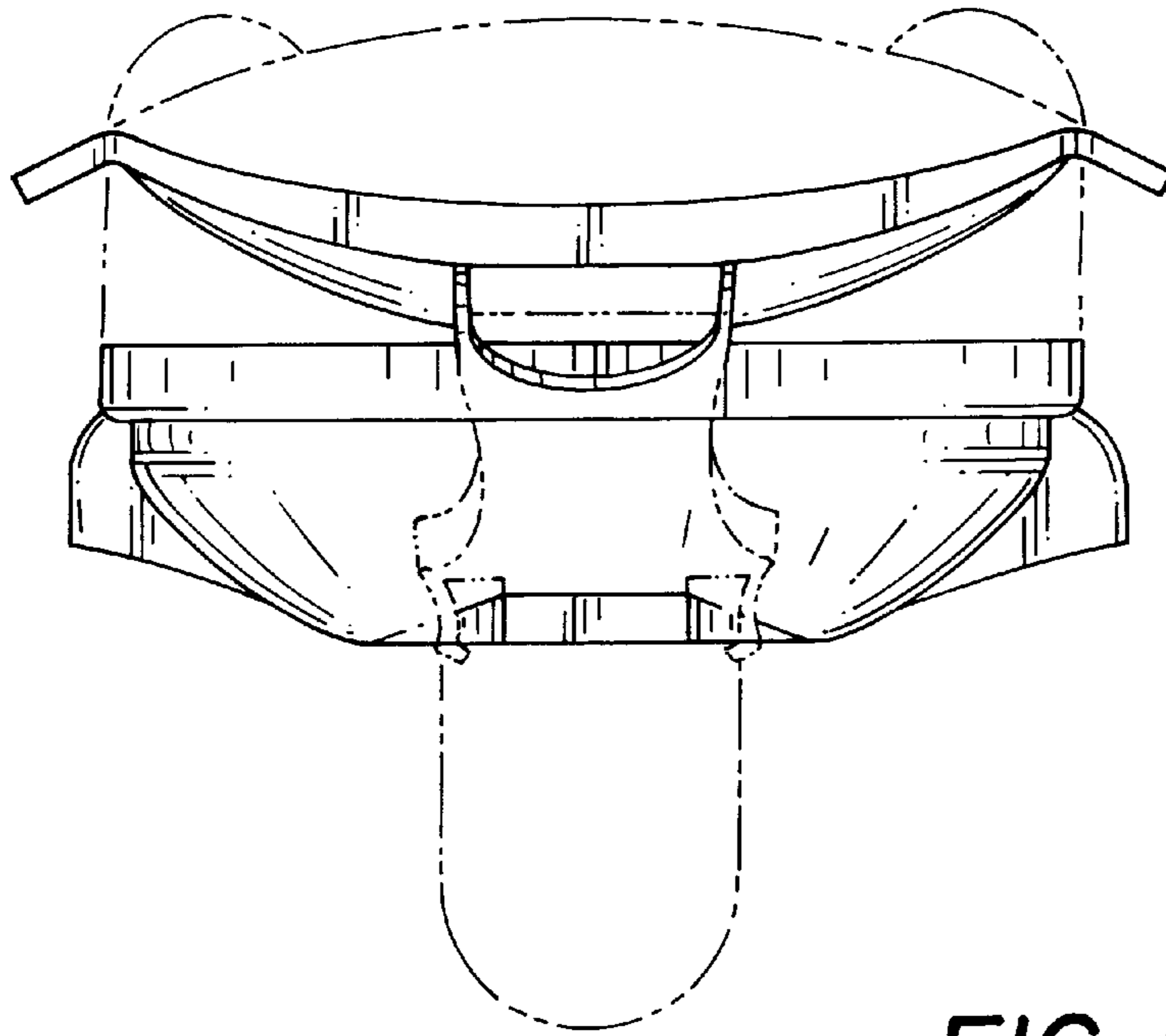


FIG. 6

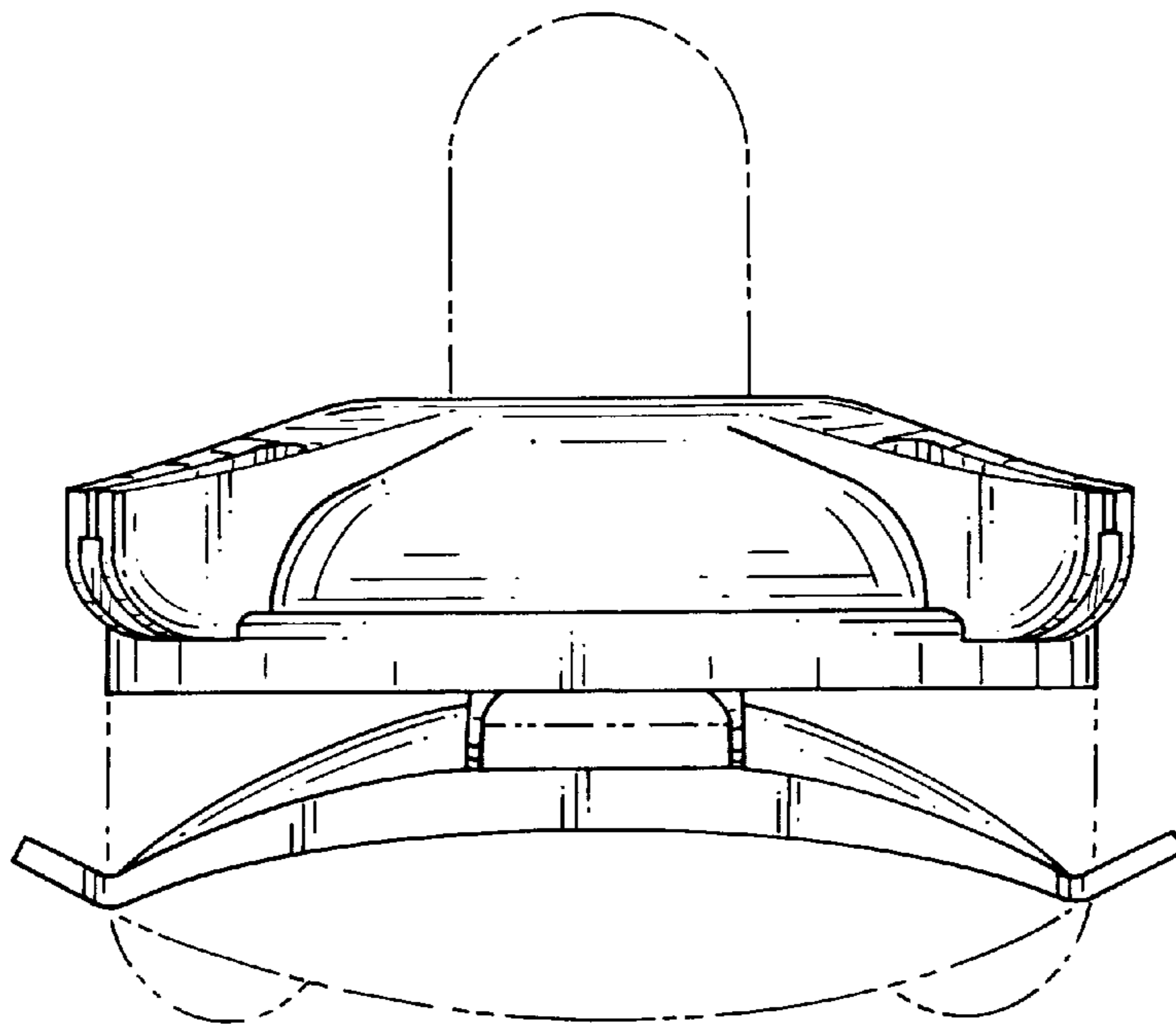


FIG. 7