



US00D489816S

(12) **United States Design Patent**  
**Ross**

(10) **Patent No.:** **US D489,816 S**

(45) **Date of Patent:** **\*\* May 11, 2004**

(54) **DIAGNOSTIC INSTRUMENT**

5,089,229 A \* 2/1992 Heidt et al. .... 422/64  
D334,237 S \* 3/1993 Collister et al. .... D24/232

(75) Inventor: **Gary D. Ross**, Monmouth (GB)

\* cited by examiner

(73) Assignee: **Bayer HealthCare LLC**, East Walpole,  
MA (US)

*Primary Examiner*—Stella Reid

(\*\*) Term: **14 Years**

(57) **CLAIM**

(21) Appl. No.: **29/176,814**

The ornamental design for a diagnostic instrument, as shown and described.

(22) Filed: **Feb. 27, 2003**

**DESCRIPTION**

(51) **LOC (7) Cl.** ..... **24-01**

FIG. 1 is a front, right side perspective view of a diagnostic instrument, showing my new design;

(52) **U.S. Cl.** ..... **D24/107; D24/186**

FIG. 2 is a front elevational view thereof;

(58) **Field of Search** ..... D24/107, 232,  
D24/186; 422/63, 64, 65, 66, 67, 68.1,  
99, 100; 436/43

FIG. 3 is a right side elevational view thereof;

FIG. 4 is a left side elevational view thereof;

FIG. 5 is a rear elevational view thereof;

FIG. 6 is a top plan view thereof;

FIG. 7 is a bottom plan view thereof; and,

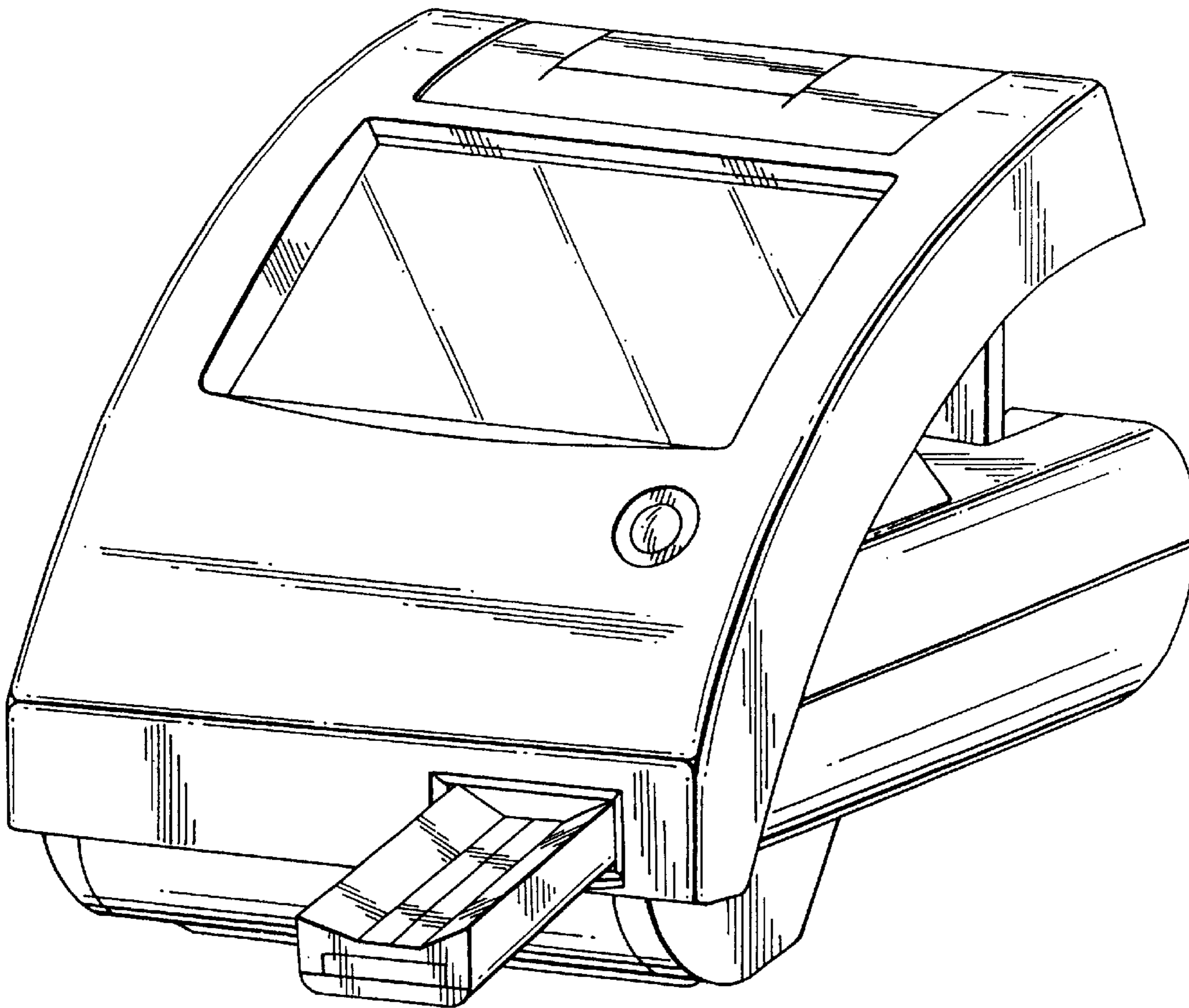
FIG. 8 is a front and right side perspective view thereof showing a test strip receptacle extending from the front thereof.

(56) **References Cited**

**U.S. PATENT DOCUMENTS**

D251,774 S \* 5/1979 Olson et al. .... D10/81  
D307,321 S \* 4/1990 Bransky et al. .... D24/186  
D320,450 S \* 10/1991 Hicaro, Jr. et al. .... D24/107

**1 Claim, 8 Drawing Sheets**



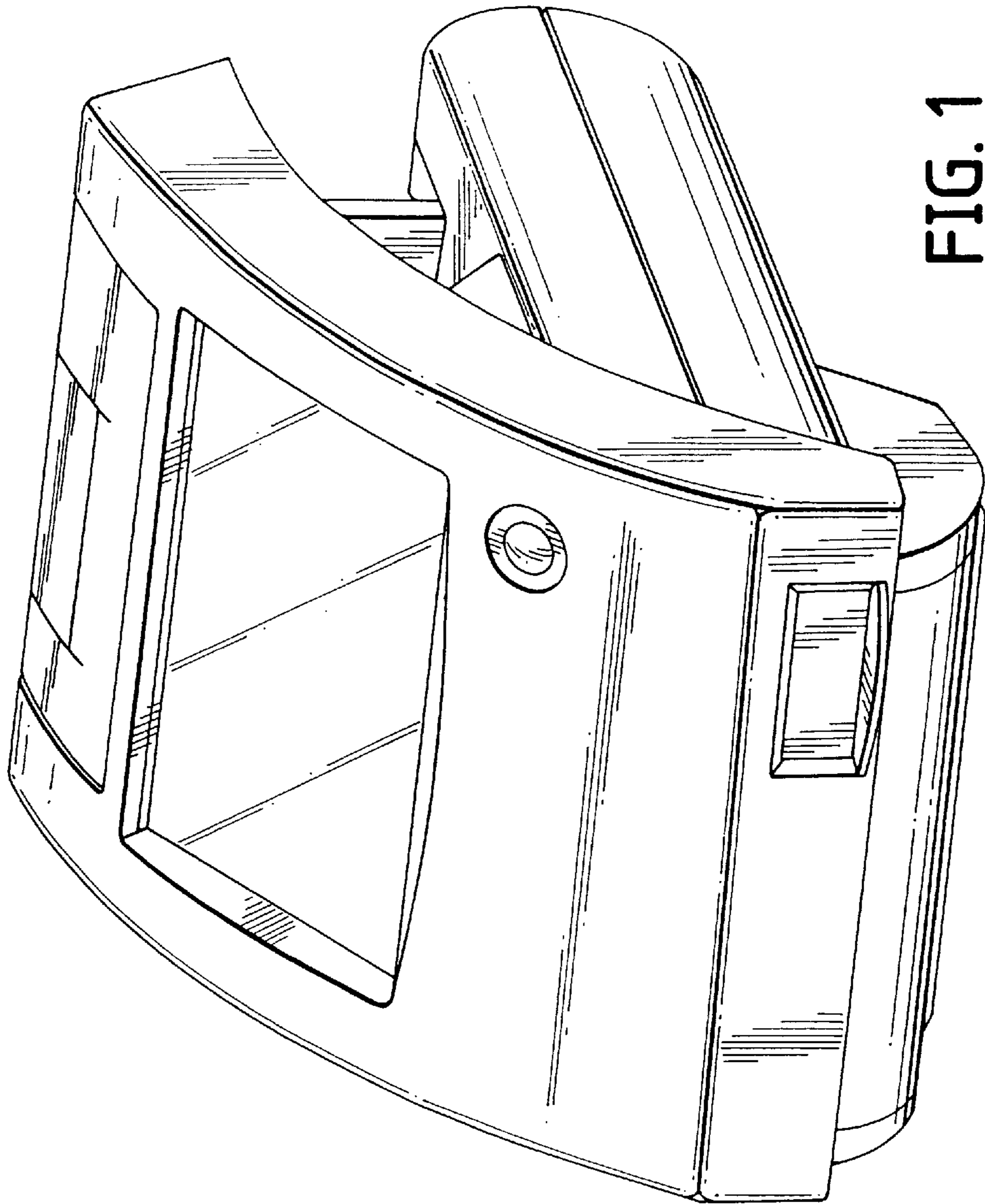


FIG. 1

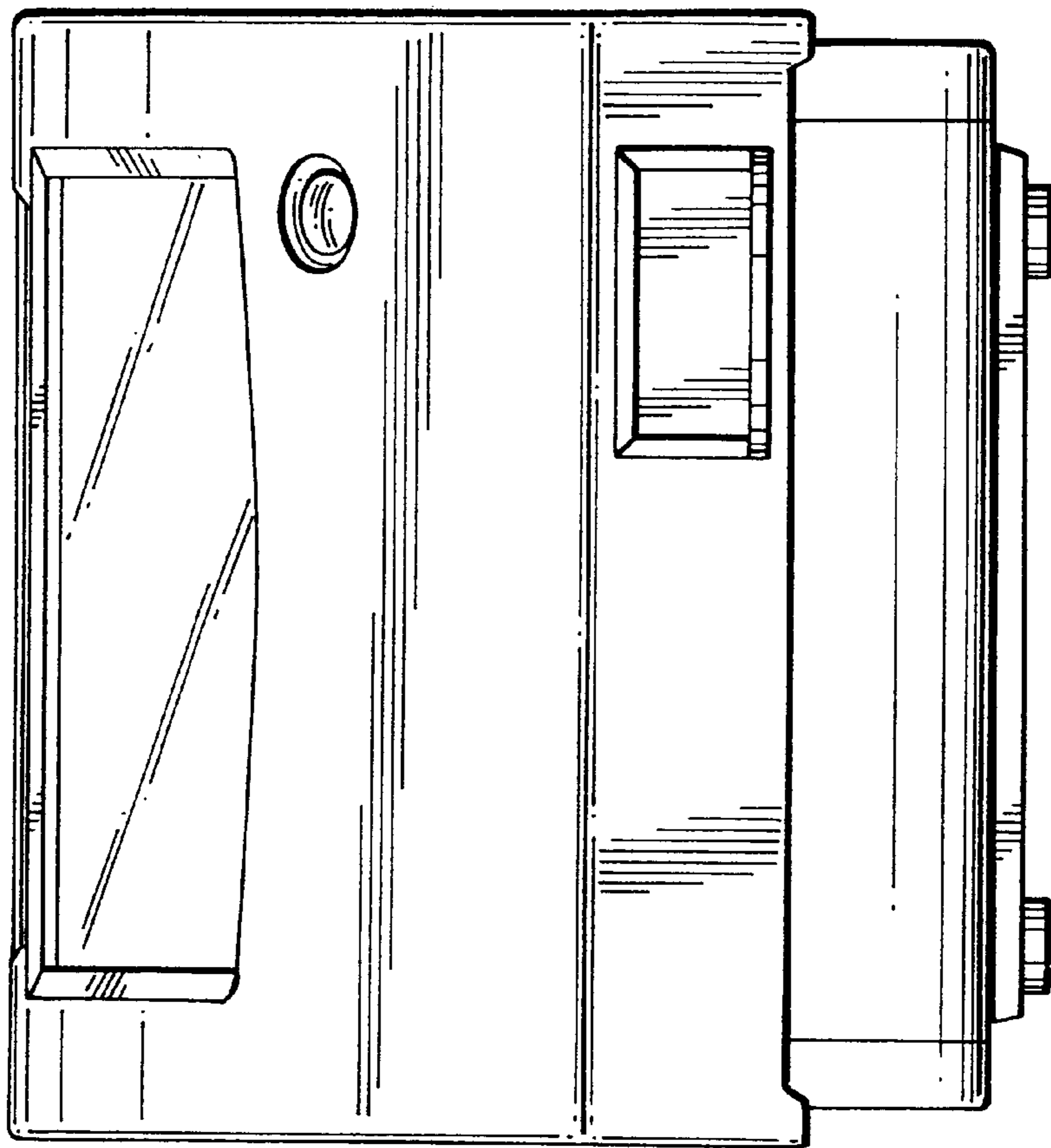


FIG. 2

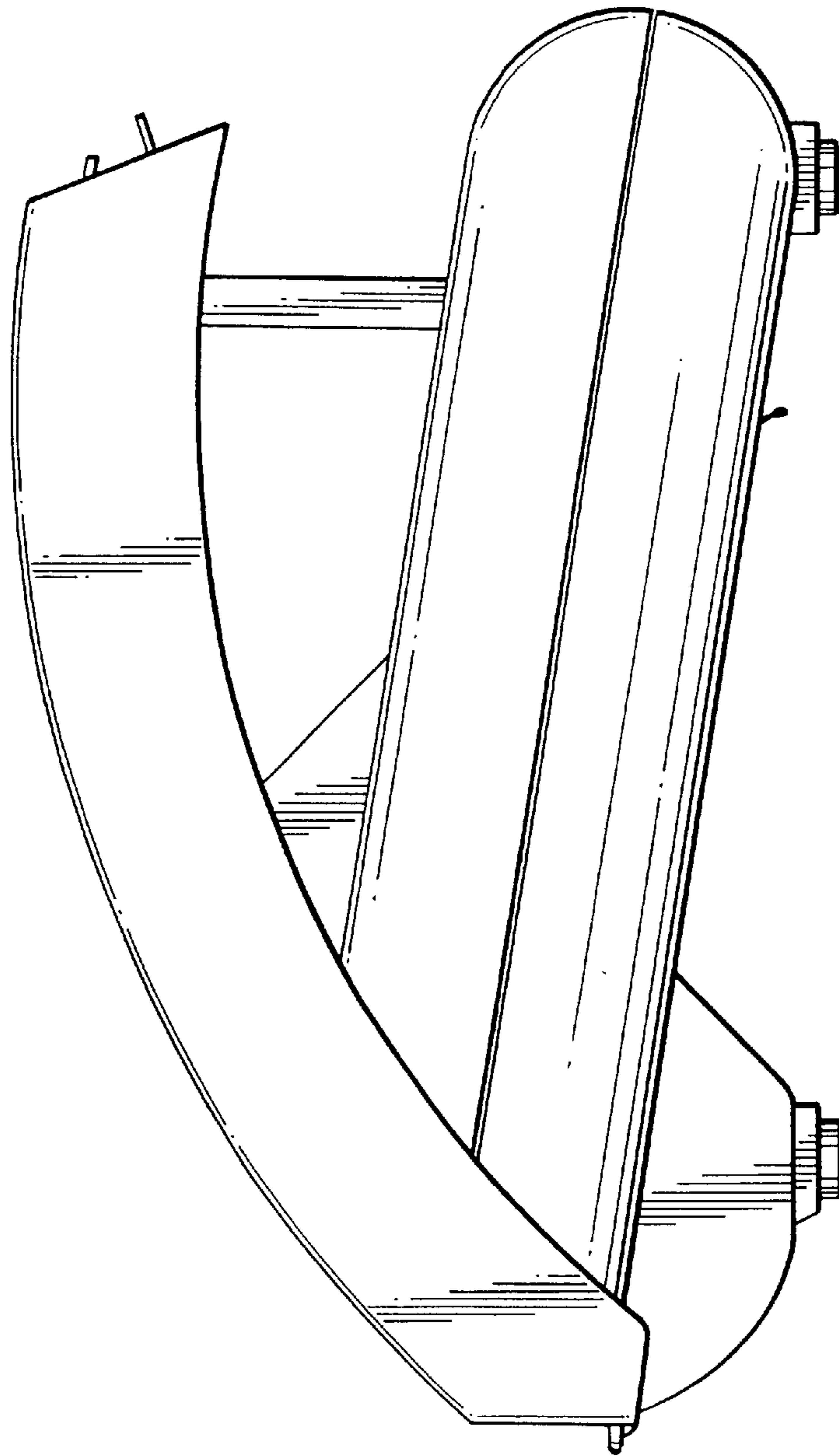


FIG. 3

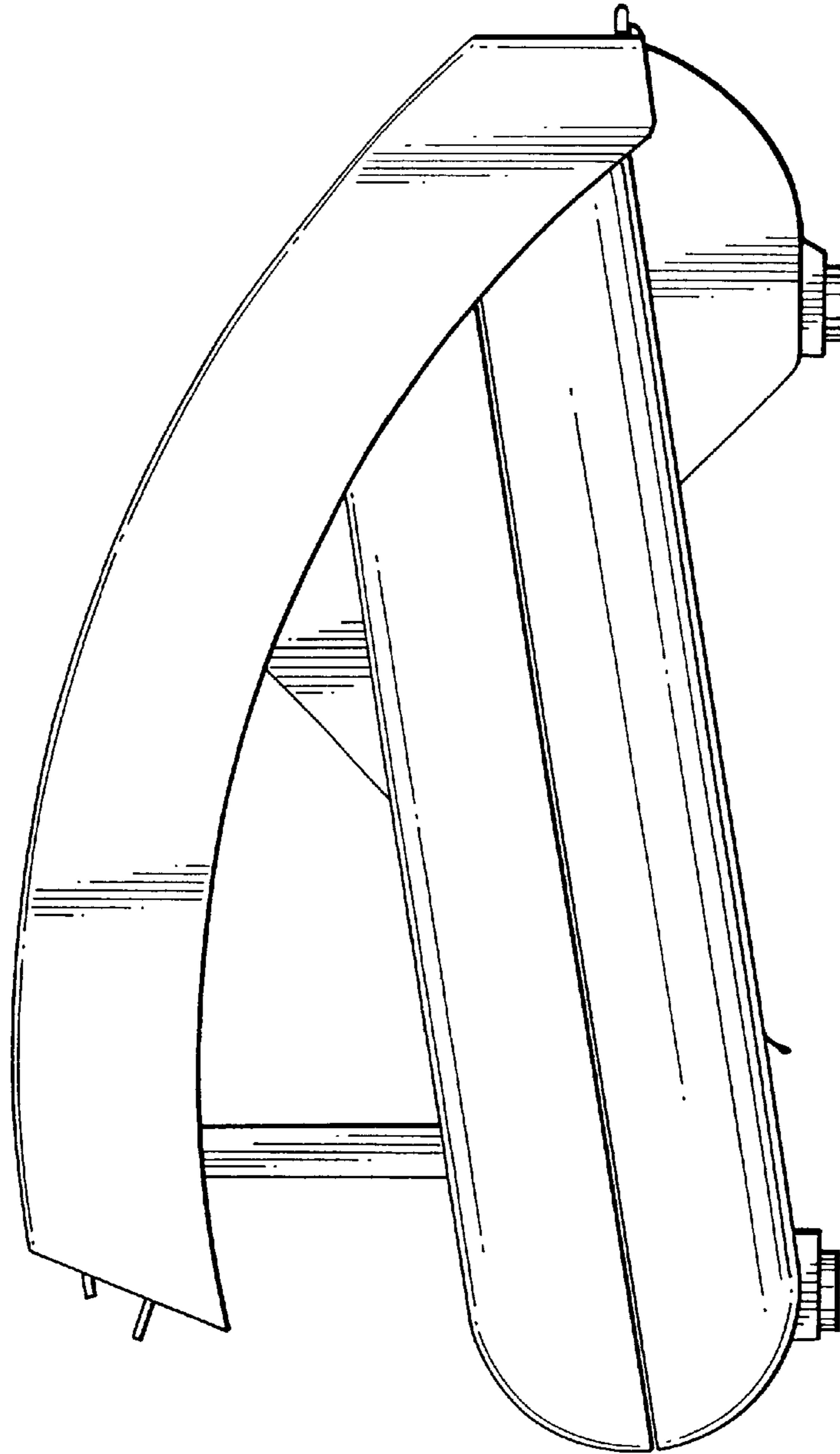


FIG. 4

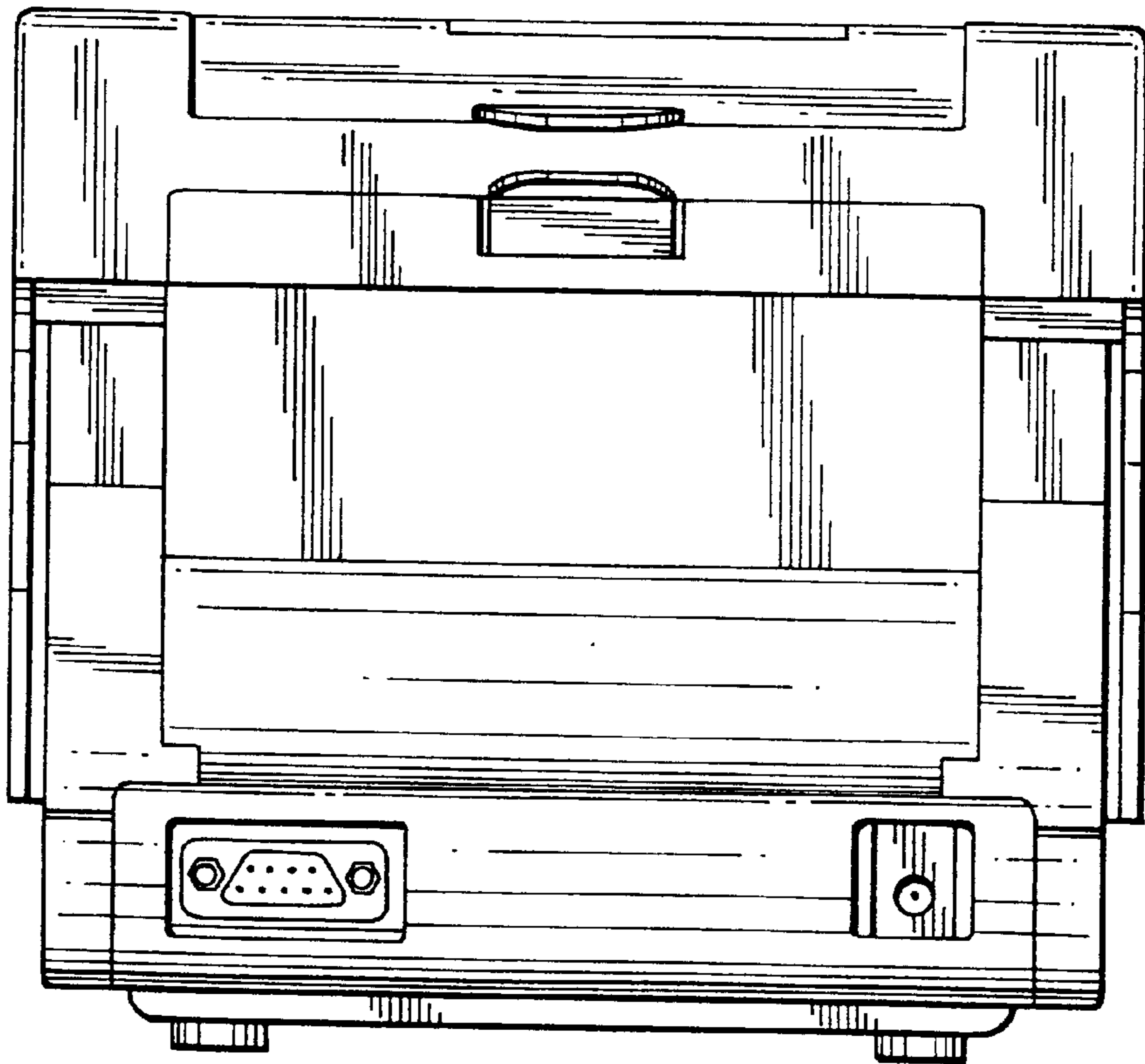


FIG. 5

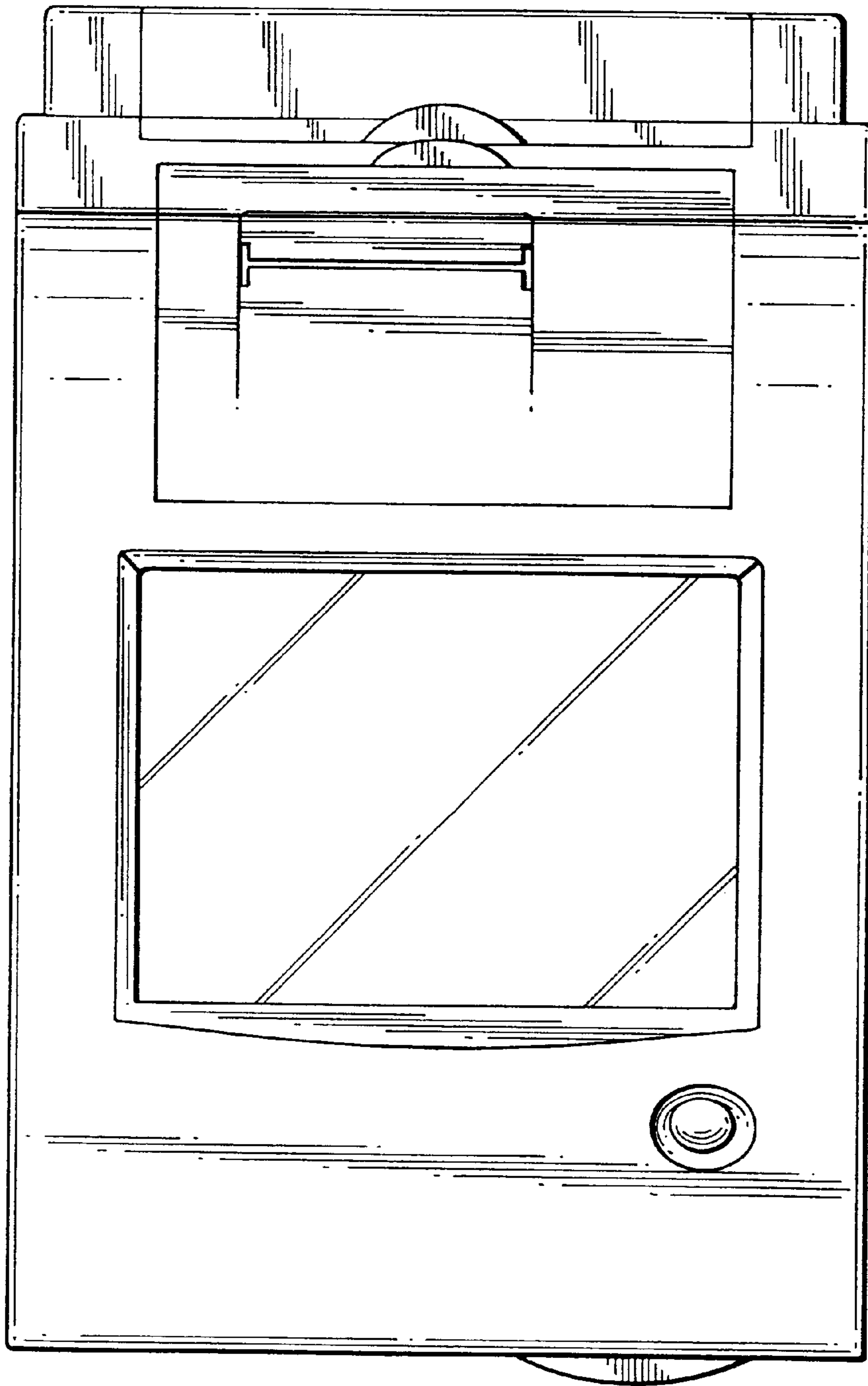


FIG. 6

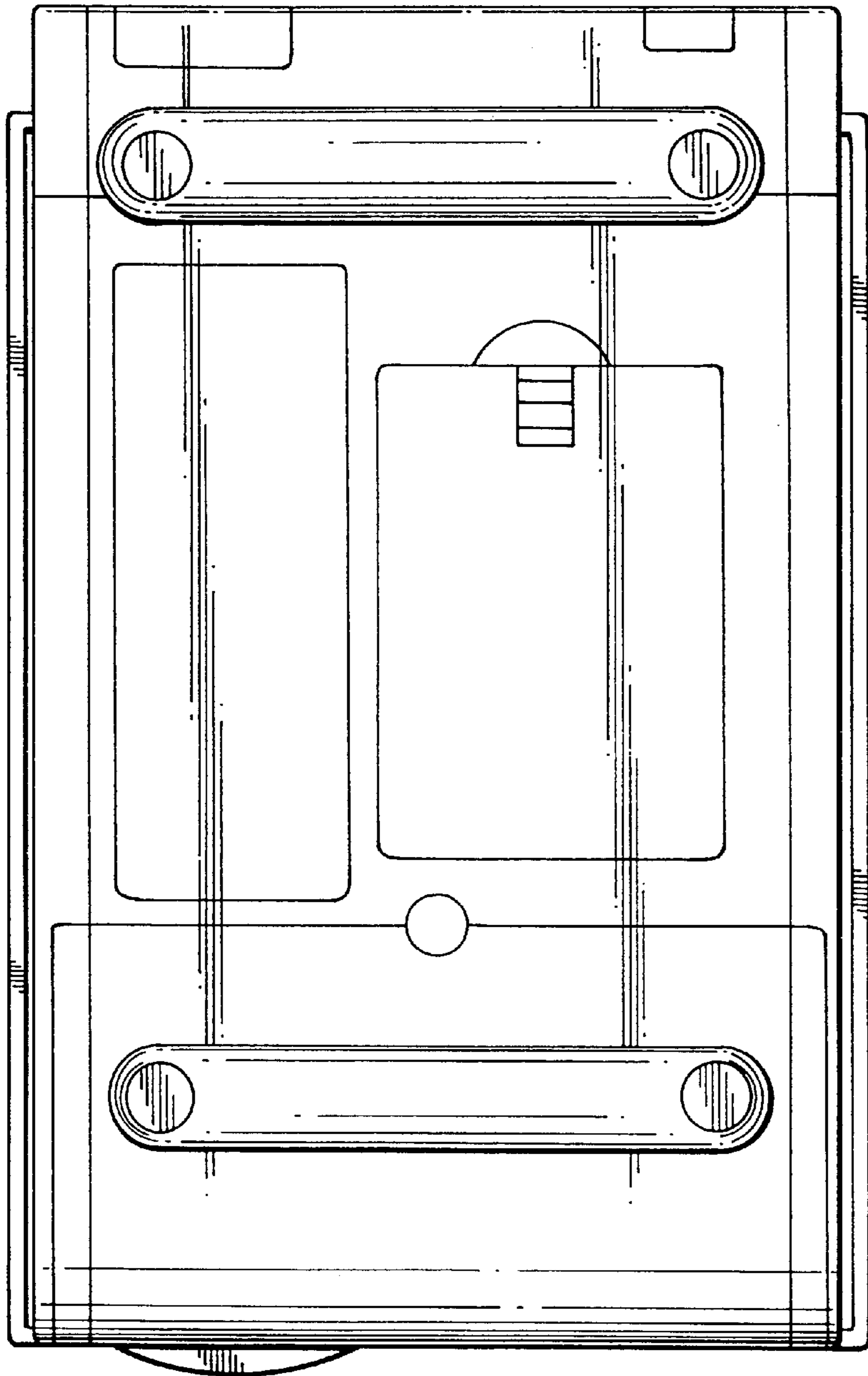


FIG. 7



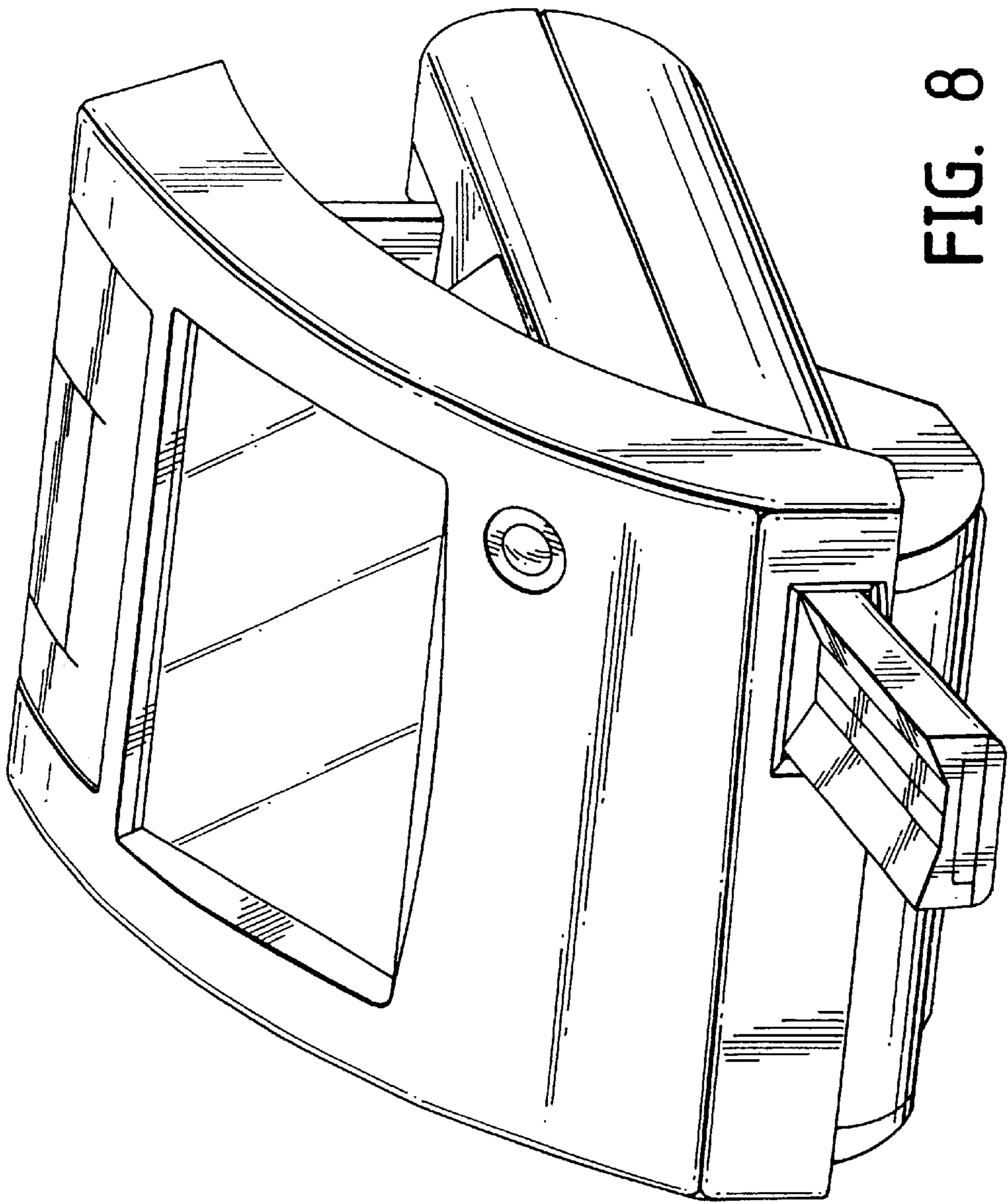


FIG. 8