



US00D489812S

(12) **United States Design Patent**  
**Huang**

(10) **Patent No.:** **US D489,812 S**

(45) **Date of Patent:** **\*\* May 11, 2004**

(54) **CEILING FAN LIGHT KIT**

(75) Inventor: **Hsiao-ching Huang**, Memphis, TN (US)

(73) Assignee: **Hunter Fan Company**, Memphis, TN (US)

(\*\*) Term: **14 Years**

(21) Appl. No.: **29/186,795**

(22) Filed: **Jul. 22, 2003**

(51) **LOC (7) Cl.** ..... **23-04**

(52) **U.S. Cl.** ..... **D23/411; D26/59**

(58) **Field of Search** ..... **D23/411, 377, D23/379, 385; 416/5; D26/59**

(56) **References Cited**

**U.S. PATENT DOCUMENTS**

D480,799 S \* 10/2003 Stauffer ..... D23/411

**OTHER PUBLICATIONS**

Casablanca Fan Company 2002 Product Catalog p. 72 and 73 Glass Accessories, Center Glass, p. 68 New 2002 Light

Fixtures, p. 66 Light Fixtures, p. 49 (LeGrande), p. 44 (Stealth), p. 33 (Panama).

Hunter Fan Company 2002 Brochure, Chandelle Light Fixtures, Outdoor Listed Light Fixtures, Energy Efficient Light Fixtures, Spotlight Fixtures, Low Profile Light Fixtures, Accessory Glass, Ceiling Fan Light Fixtures, Dual Use Light Fixtures, Tiffany Art Glass, Aurora Glass, 12" Lead Crystal, and 12" Bowl Light Fixtures.

\* cited by examiner

*Primary Examiner*—Lisa Lichtenstein

(74) *Attorney, Agent, or Firm*—Baker Donelson

(57) **CLAIM**

The ornamental design for a ceiling fan light kit, as shown and described.

**DESCRIPTION**

FIG. 1 is a perspective view of a ceiling fan light kit showing my new design.

FIG. 2 is a front view thereof.

FIG. 3 is a rear view thereof.

FIG. 4 is a left side view thereof.

FIG. 5 is a right side view thereof.

FIG. 6 is a top view thereof; and,

FIG. 7 is a bottom view thereof.

**1 Claim, 4 Drawing Sheets**

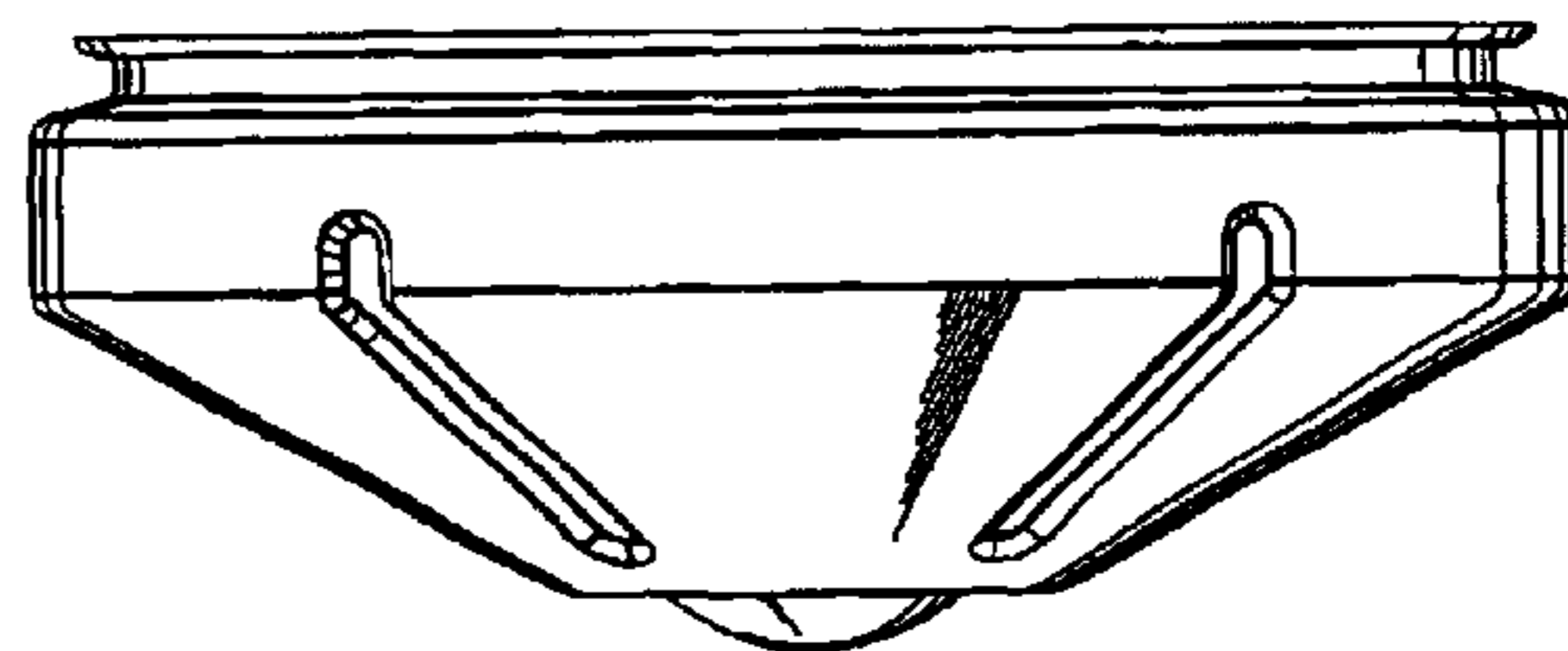
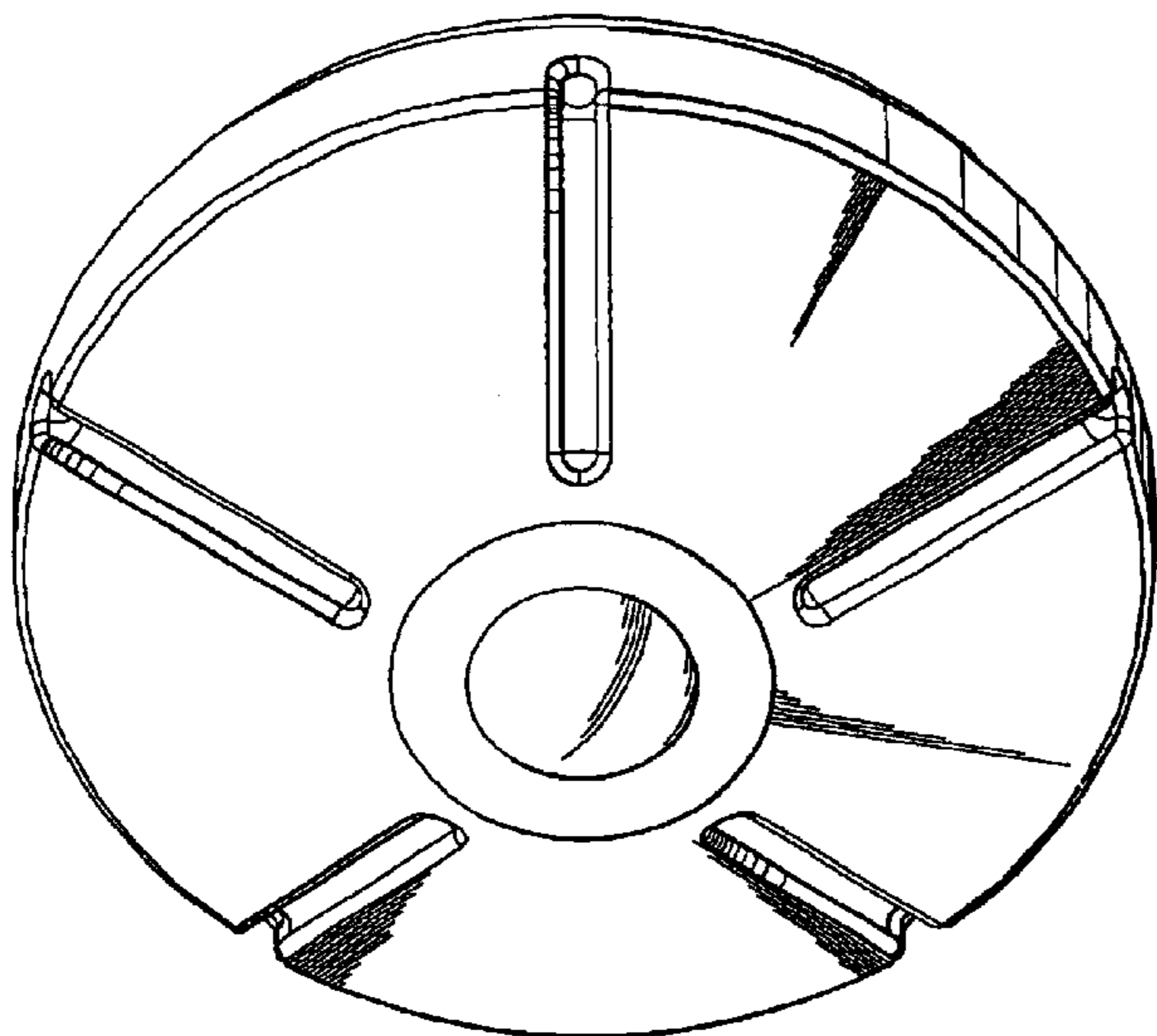


Fig. 1

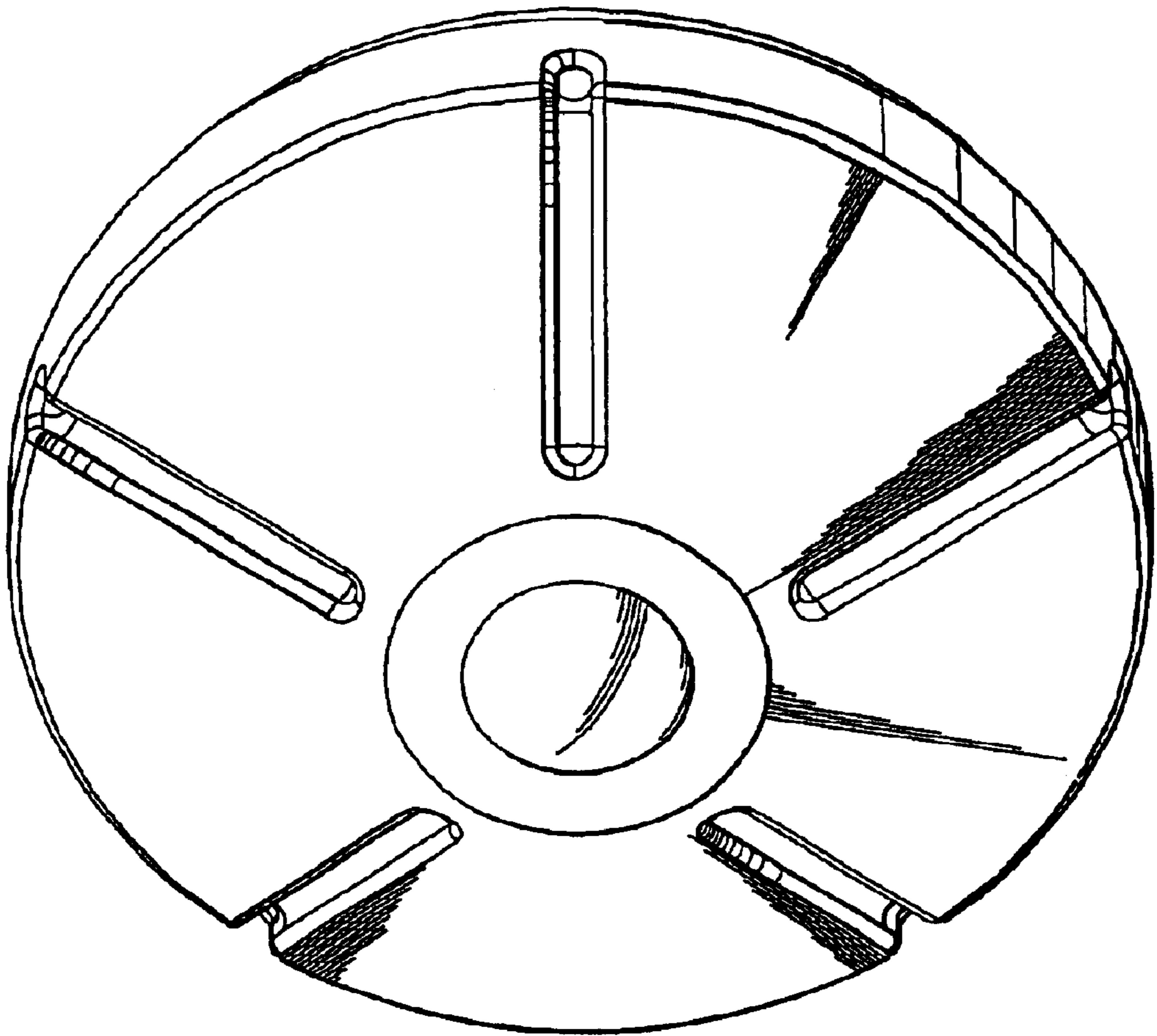


Fig. 2

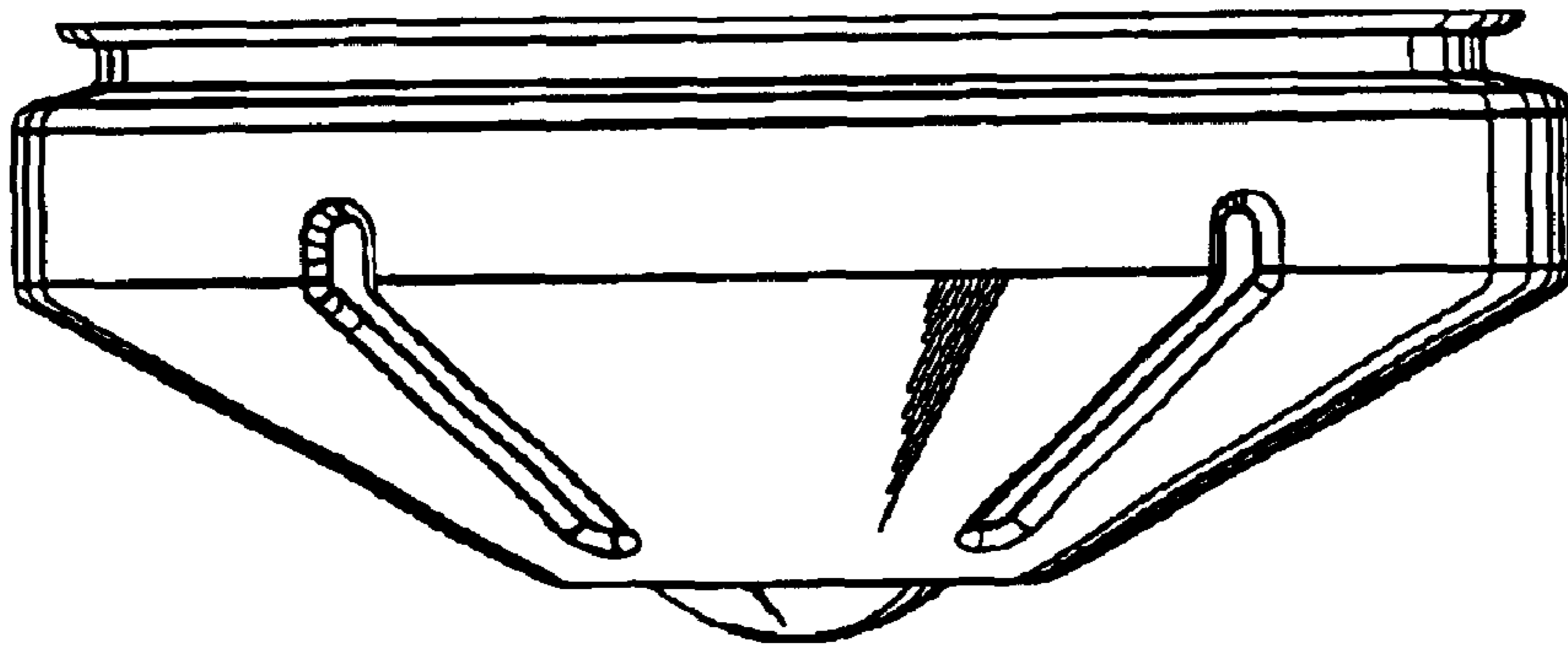


Fig. 3

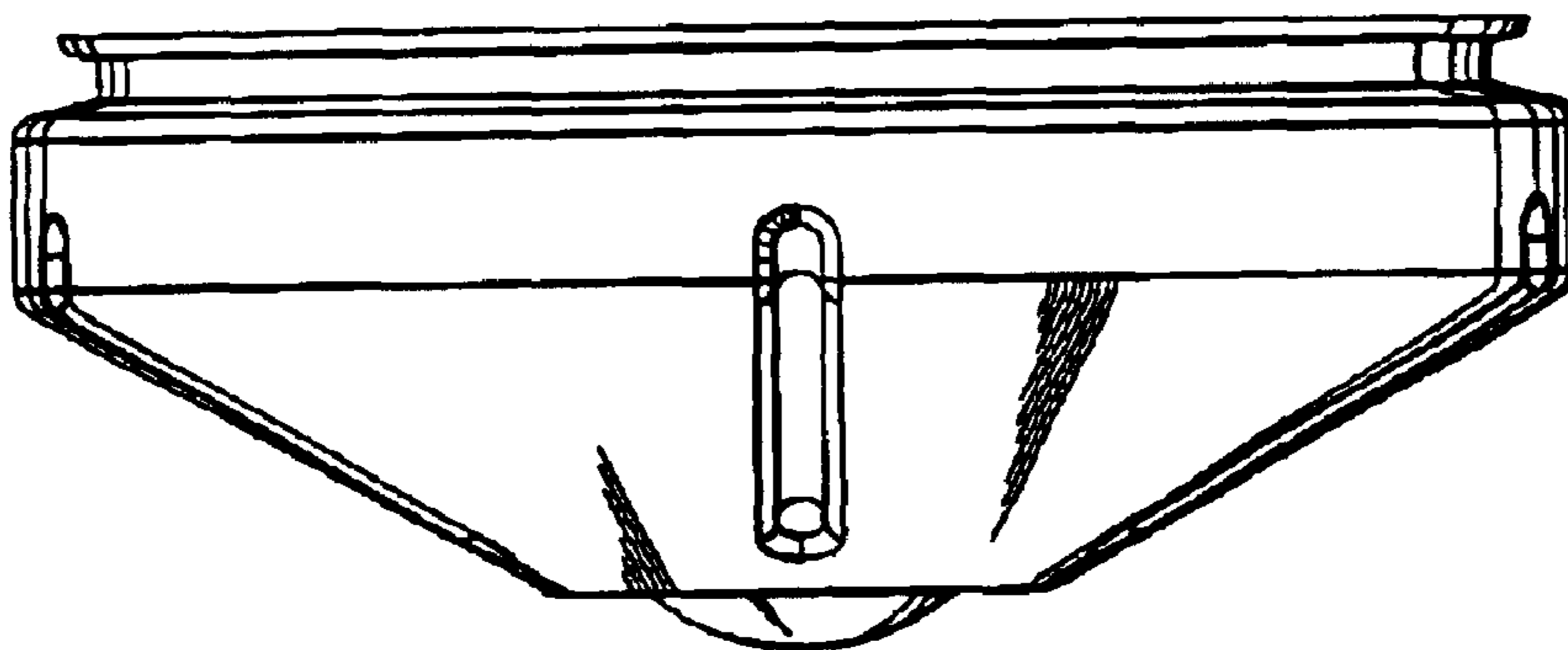


Fig. 4

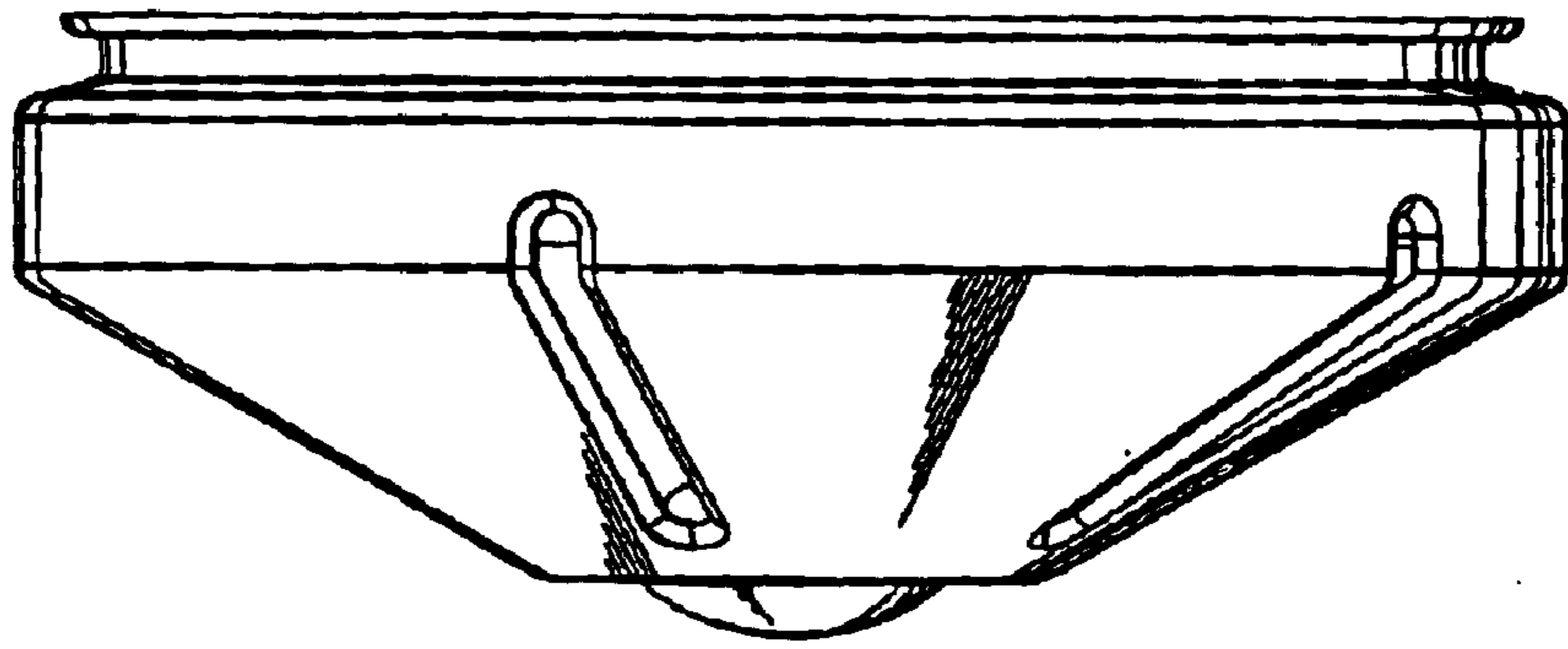


Fig. 5

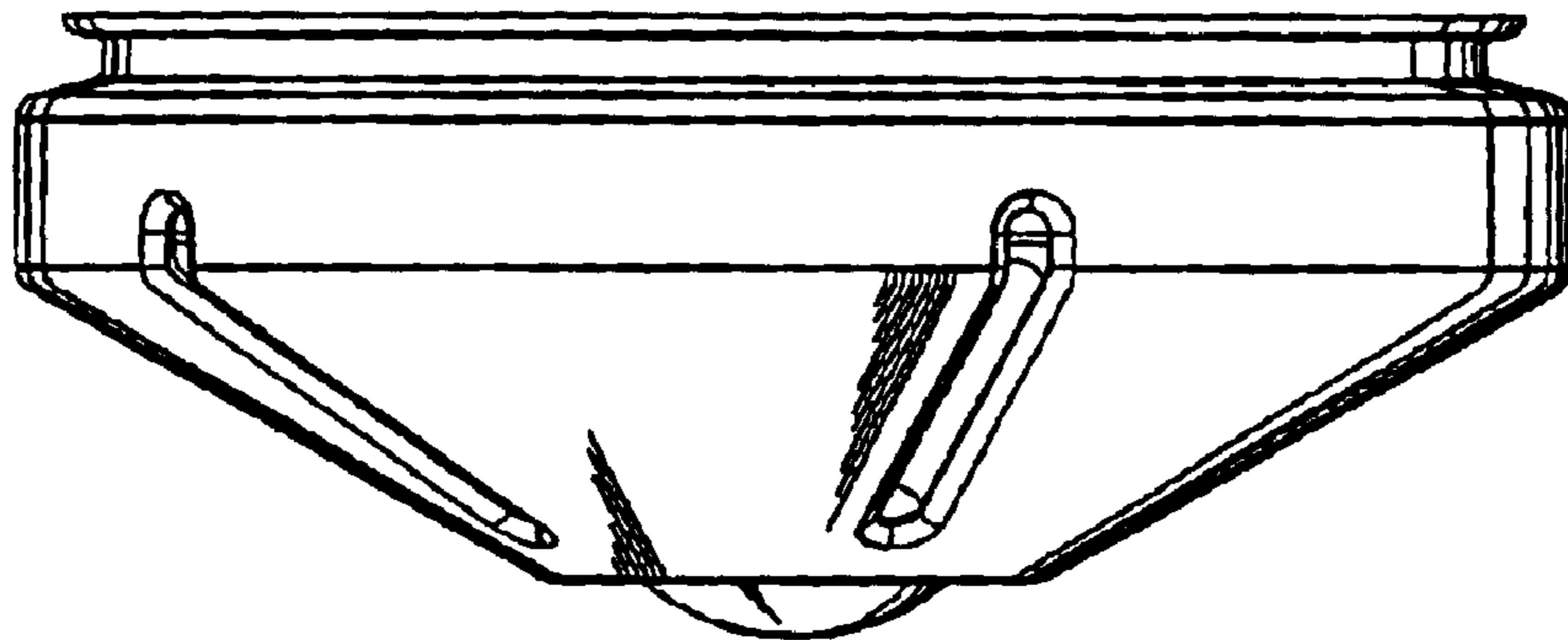


Fig. 6

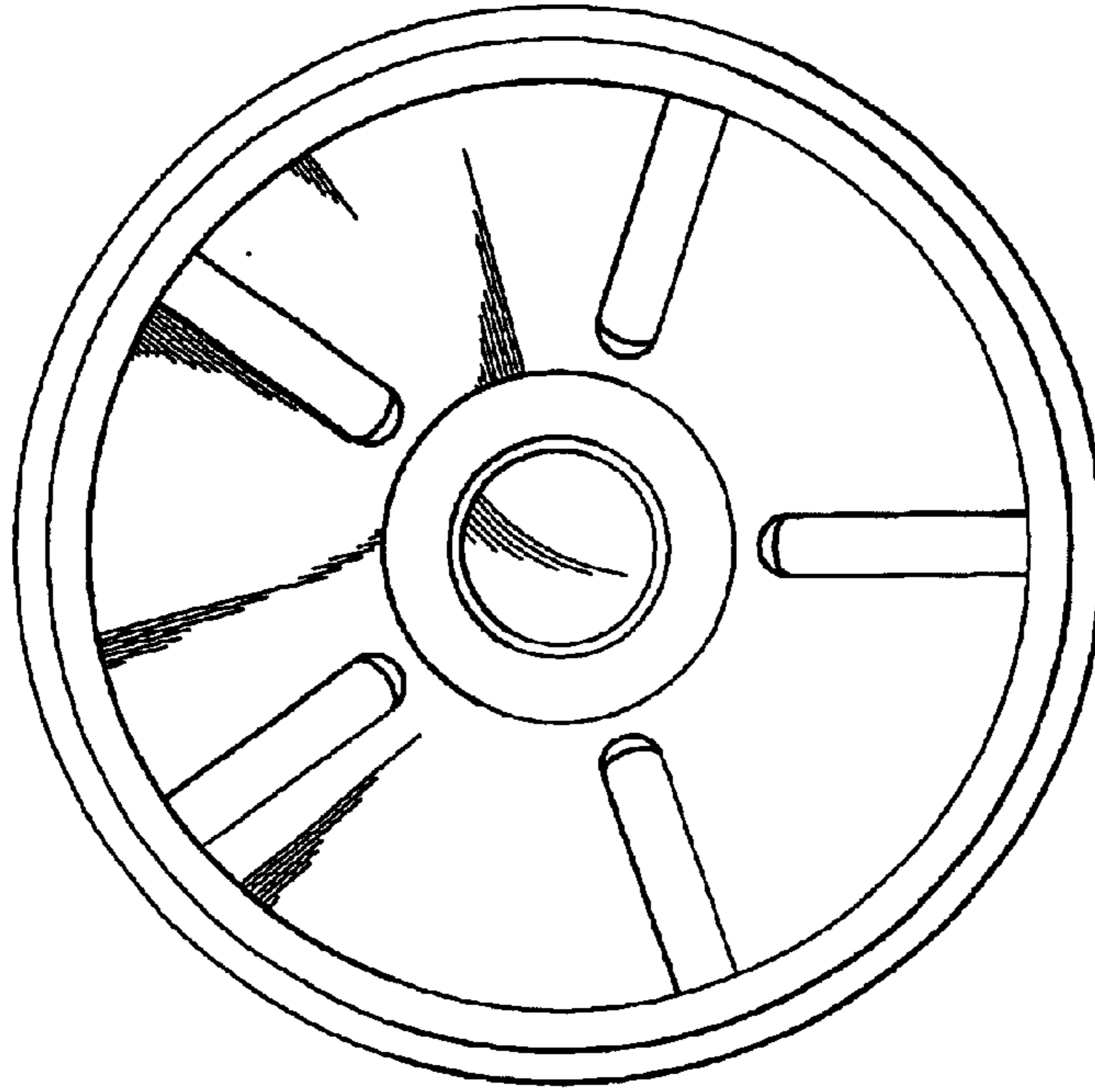


Fig. 7

