



US00D489806S

(12) **United States Design Patent**
Stout, Jr.

(10) **Patent No.:** **US D489,806 S**

(45) **Date of Patent:** **** *May 11, 2004**

(54) **DUCT WITH A CRIMPED END**

(75) **Inventor:** **William K. Stout, Jr.**, Mason, OH
(US)

(73) **Assignee:** **Eastern Sheet Metal LLC**, Cincinnati,
OH (US)

(*) **Notice:** This patent is subject to a terminal dis-
claimer.

(**) **Term:** **14 Years**

(21) **Appl. No.:** **29/177,444**

(22) **Filed:** **Mar. 10, 2003**

Related U.S. Application Data

(62) Division of application No. 29/138,819, filed on Mar. 20,
2001, now Pat. No. Des. 475,780.

(51) **LOC (7) Cl.** **23-04**

(52) **U.S. Cl.** **D23/393**

(58) **Field of Search** D23/259, 262,
D23/263, 266, 386, 387, 391, 393, 394;
138/111-117, DIG. 4, DIG. 11, 177, 167,
169; 285/47, 123.15, 123.16, 110, 374,
347, 232-234, 122.1, 123.1, 123.3-123.7,
123.9, 125.1, 129.1, 129.2, 133.11, 133.21,
133.6, 136.1, 141.1, 148.18, 148.22, 148.23,
148.24, 148.25, 179, 179.2, 181, 183, 332,
332.1, 334.5, 399, 189, 424; 454/228-236,
243, 270, 903, 906; 126/307 R, 312, 307 A,
314-317

(56) **References Cited**

U.S. PATENT DOCUMENTS

199,619 A	1/1878	Corby
D25,709 S	6/1896	Pratt
1,565,918 A	12/1925	Fitzgerald
1,570,974 A	1/1926	Stevens
2,039,542 A	5/1936	Lindquist
2,215,318 A	9/1940	Bristol

(List continued on next page.)

FOREIGN PATENT DOCUMENTS

DE	2840962	4/1979
DK	150025 B	11/1986
EP	092881 A2	11/1983

(List continued on next page.)

OTHER PUBLICATIONS

Ducts and Fittings Product Brochure, Lindab Ltd.,
Northampton, Great Britain (undated), front and back covers
and pp. 3-52.

“Sistema Di Tenuta Ring”, Issued by Climovent System, an
Italian Company; pp. 1-6 (Undated).

“Veloduct” catalog 1997, ABB Ventilation Products AB,
Division Veloduct.

(List continued on next page.)

Primary Examiner—Philip S. Hyder

Assistant Examiner—C. Tuttle

(74) *Attorney, Agent, or Firm*—Dinsmore & Shohl LLP

(57) **CLAIM**

The ornamental design for a duct with a crimped end, as
shown and described.

DESCRIPTION

FIG. 1 is a front elevational view of the duct with a crimped
end;

FIG. 2 is a rear elevational view of the duct of FIG. 1;

FIG. 3 is a front perspective view of the duct of FIG. 1;

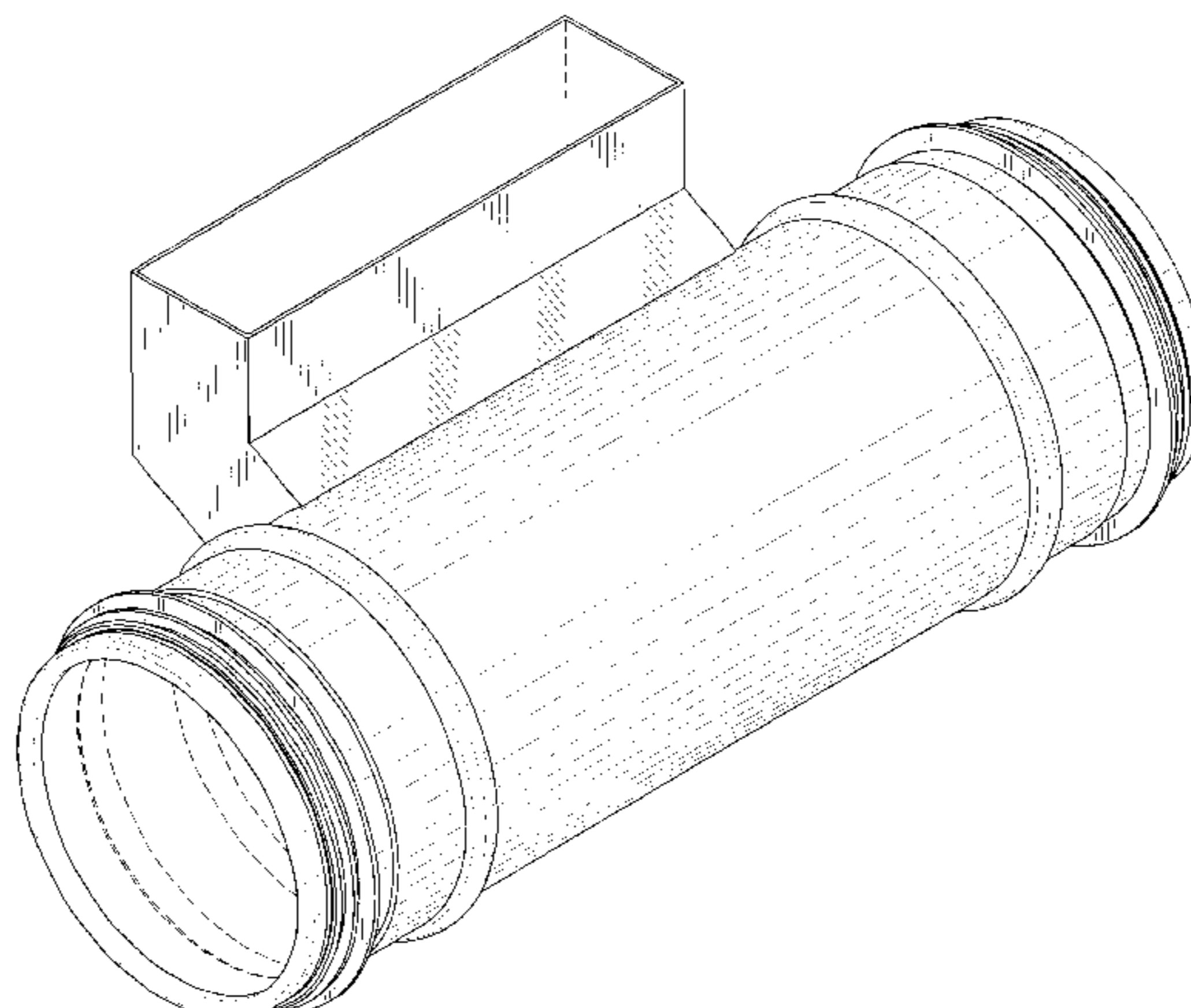
FIG. 4 is a left end view of the duct of FIG. 1; the right end
view being a mirror image of FIG. 4;

FIG. 5 is a top view of the duct of FIG. 1; and,

FIG. 6 is a bottom view of the duct of FIG. 1.

The broken lines shown in FIG. 3 is for illustrative purposes
only and forms no part of the claimed design. The unshaded
areas of the duct interior likewise form no part of the
claimed design.

1 Claim, 6 Drawing Sheets



US D489,806 S

Page 2

U.S. PATENT DOCUMENTS

2,314,386 A 3/1943 Brend
2,544,108 A 3/1951 Richardson
2,616,728 A 11/1952 Pitt
2,930,635 A 3/1960 Woodling
3,015,510 A 1/1962 Bates
3,751,792 A 8/1973 Frakes
D234,847 S 4/1975 Hoffman
3,955,834 A 5/1976 Ahlrot
4,007,941 A 2/1977 Stancati
4,050,703 A 9/1977 Tuvevesson et al.
4,193,246 A 3/1980 Schiefer et al.
4,216,981 A 8/1980 Jensen
4,369,159 A 1/1983 Irmer
D273,702 S 5/1984 Widerby et al.
4,583,772 A 4/1986 Vassallo et al.
4,664,421 A 5/1987 Jones
4,846,147 A 7/1989 Townsend et al.
4,854,381 A 8/1989 Mikula
5,080,403 A 1/1992 Paoluccio
5,390,961 A 2/1995 Guthrie
5,405,174 A 4/1995 Sondén et al.
5,407,122 A 4/1995 Stefansson et al.
D360,018 S 7/1995 Sondén et al.
D360,019 S 7/1995 Sondén et al.
D360,020 S 7/1995 Sondén et al.
D360,021 S 7/1995 Sondén et al.
D361,829 S 8/1995 Sondén et al.
D362,299 S 9/1995 Sondén et al.
D362,300 S 9/1995 Sondén et al.
5,452,922 A 9/1995 Ziu
D363,115 S 10/1995 Lennartsson
5,473,815 A 12/1995 Sondén et al.
D367,316 S 2/1996 Sondén et al.
D368,304 S 3/1996 Morrison
5,531,460 A 7/1996 Stefansson et al.
D377,829 S 2/1997 Andresen
5,599,600 A 2/1997 Rau
5,649,662 A 7/1997 Krichau et al.
D383,053 S 9/1997 Schrader et al.
D383,195 S 9/1997 Sondén et al.
D383,196 S 9/1997 Sondén et al.
D386,246 S 11/1997 Sondén et al.
D402,354 S 12/1998 Strong et al.
D407,802 S 4/1999 Hatfield et al.
6,070,915 A 6/2000 Luo
D427,667 S 7/2000 Stout, Jr.
D427,668 S 7/2000 Stout, Jr.
D427,673 S 7/2000 Stout, Jr.
D430,482 S 9/2000 Stout, Jr.
D435,090 S 12/2000 Stout, Jr.
D437,034 S 1/2001 Stout, Jr.
6,170,883 B1 1/2001 Mattsön et al.
D447,223 S 8/2001 Mattsson et al.

D454,949 S 3/2002 Mattsson et al.
D456,071 S 4/2002 Mattsson et al.
D456,072 S 4/2002 Mattsson et al.
D461,887 S 8/2002 Mattsson et al.
6,431,609 B1 8/2002 Andersson

FOREIGN PATENT DOCUMENTS

EP 0273221 B1 7/1988
EP 0389462 A1 9/1990
EP 0758066 B1 2/1997
FR 2015241 4/1970
GB 1587018 3/1981
IT 1285018 3/1998
NO 174861 4/1994
SE 13987 1/1974
SE 17788 4/1976
SE 19819 4/1977
SE 25473 4/1980
SE 25610 4/1980
SE 26059 7/1980
SE 26995 12/1980
WO WO9415133 7/1994

OTHER PUBLICATIONS

Hallstroms Verkstader 2 page advertisement and an English translation of portions thereof. Mar. 21, 2000.
U.S. patent application Ser. No. 29/138,761.
U.S. patent application Ser. No. 29/138,838.
U.S. patent application Ser. No. 29/138,820.
U.S. patent application Ser. No. 29/138,847.
U.S. patent application Ser. No. 29/138,785.
U.S. patent application Ser. No. 29/138,839.
U.S. patent application Ser. No. 29/138,830.
U.S. patent application Ser. No. 29/138,818.
U.S. patent application Ser. No. 29/138,782.
U.S. patent application Ser. No. 29/138,790.
U.S. patent application Ser. No. 29/138,783.
U.S. patent application Ser. No. 29/138,786.
U.S. patent application Ser. No. 29/138,771.
U.S. patent application Ser. No. 29/138,760.
U.S. patent application Ser. No. 29/138,836.
U.S. patent application Ser. No. 29/138,764.
U.S. patent application Ser. No. 29/138,668.
U.S. patent application Ser. No. 29/138,772.
U.S. patent application Ser. No. 29/138,784.
U.S. patent application Ser. No. 29/138,781.
U.S. patent application Ser. No. 29/138,842.
U.S. patent application Ser. No. 29/138,837.
U.S. patent application Ser. No. 29/138,763.
U.S. patent application Ser. No. 29/138,829.
U.S. patent application Ser. No. 29/138,762.

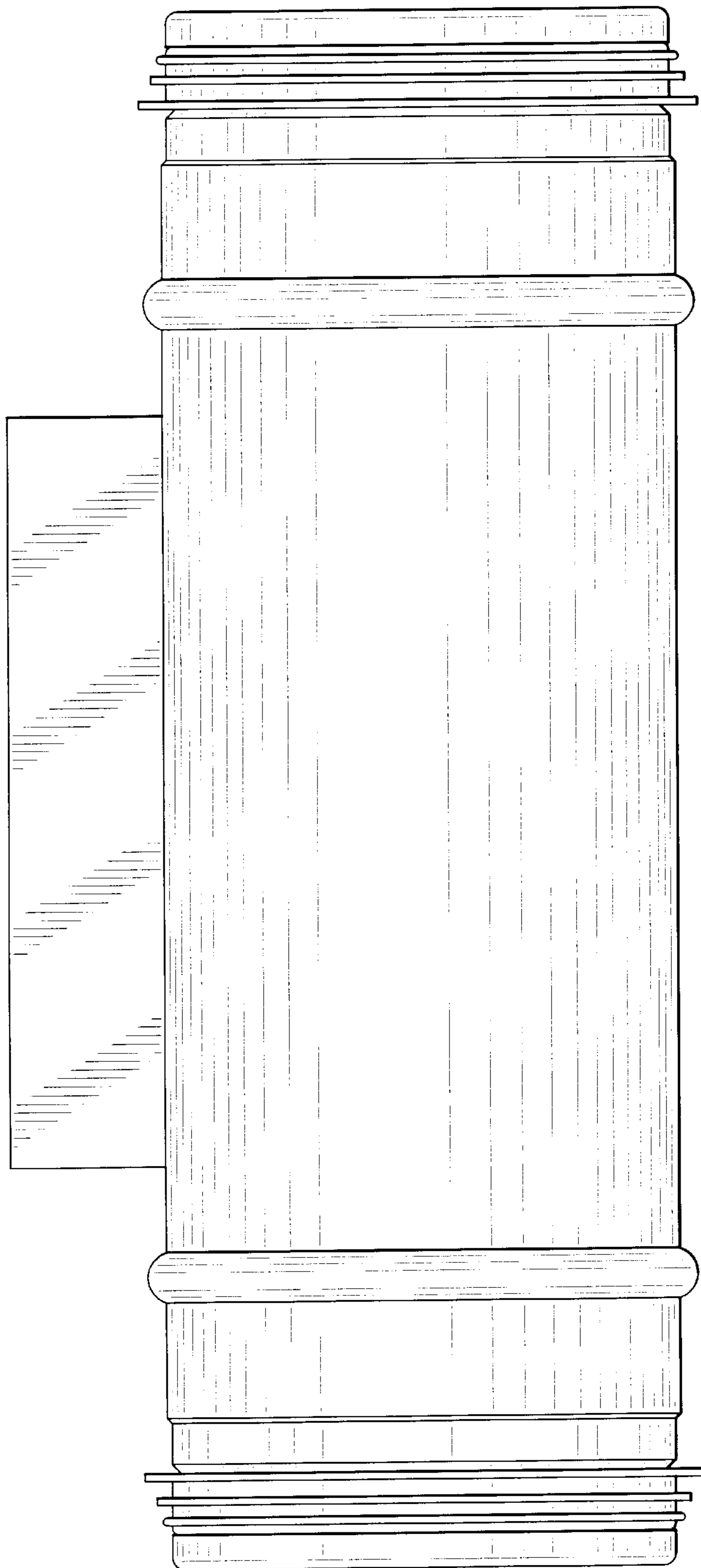


FIG. 1

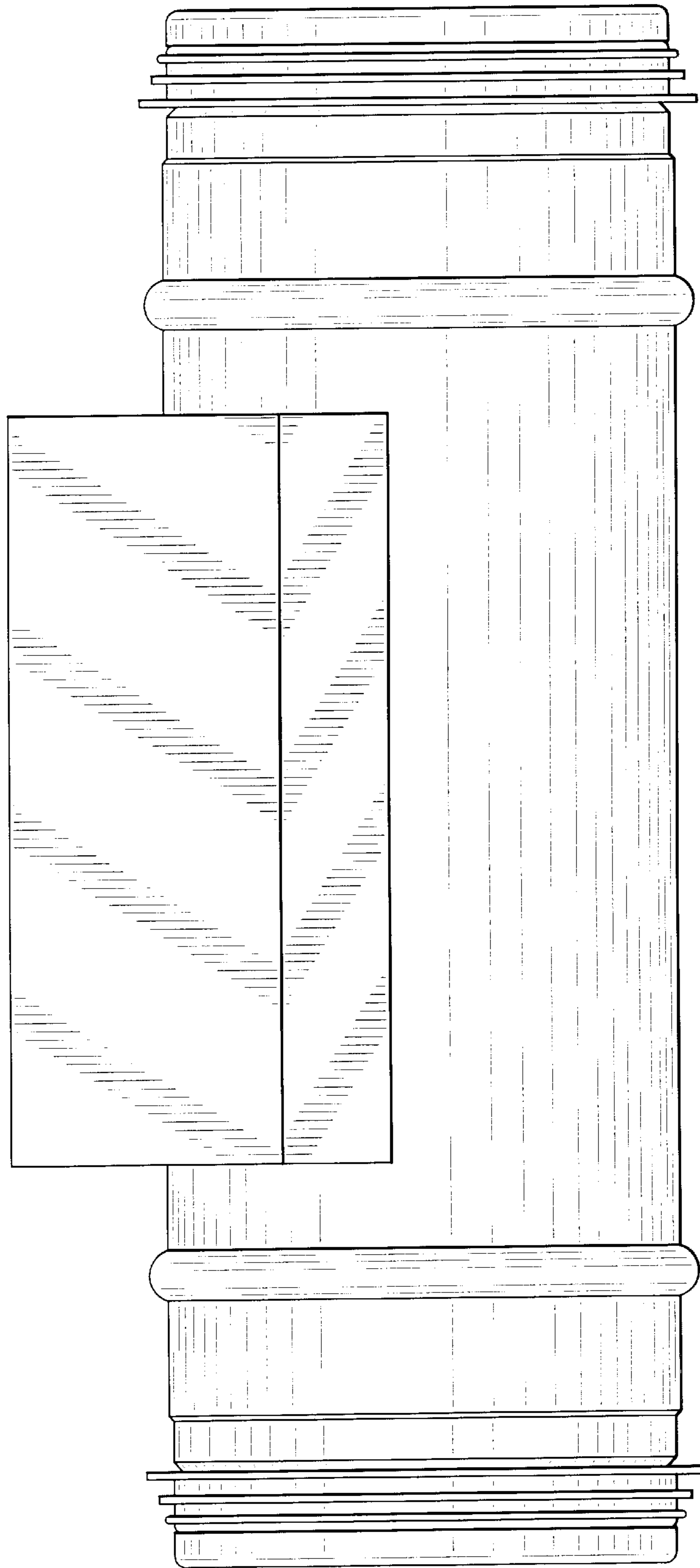


FIG. 2

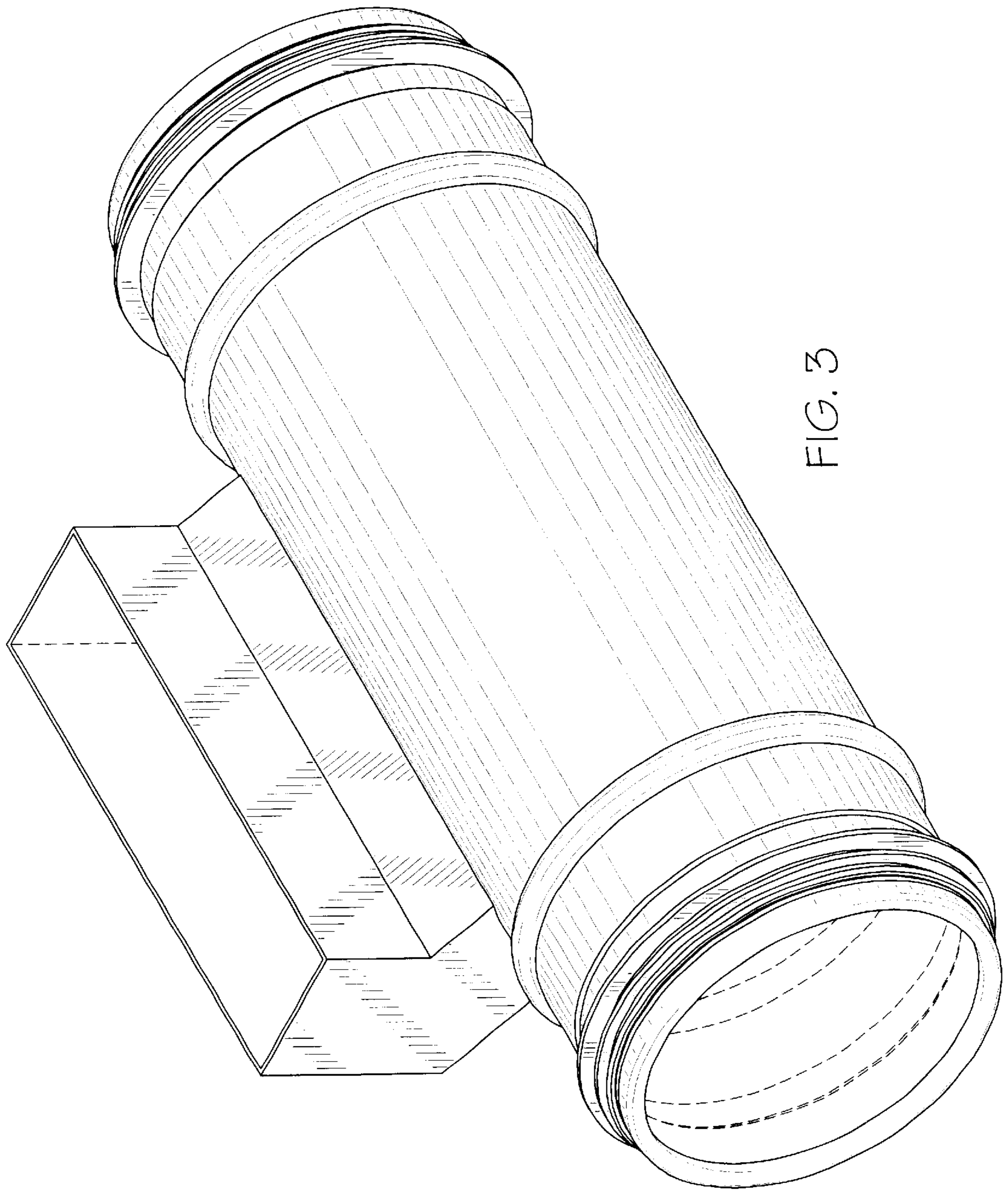


FIG. 3

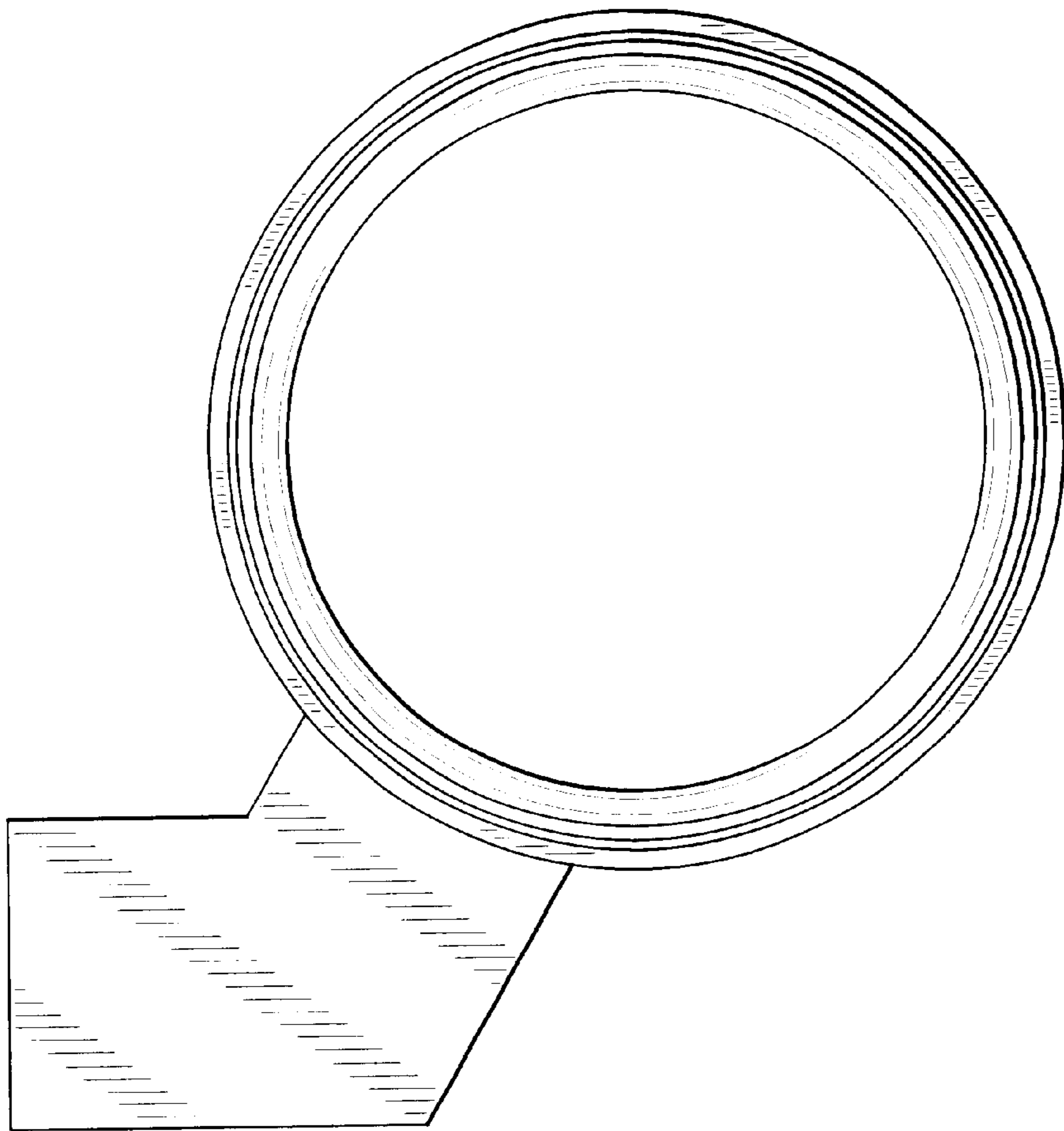


FIG. 4

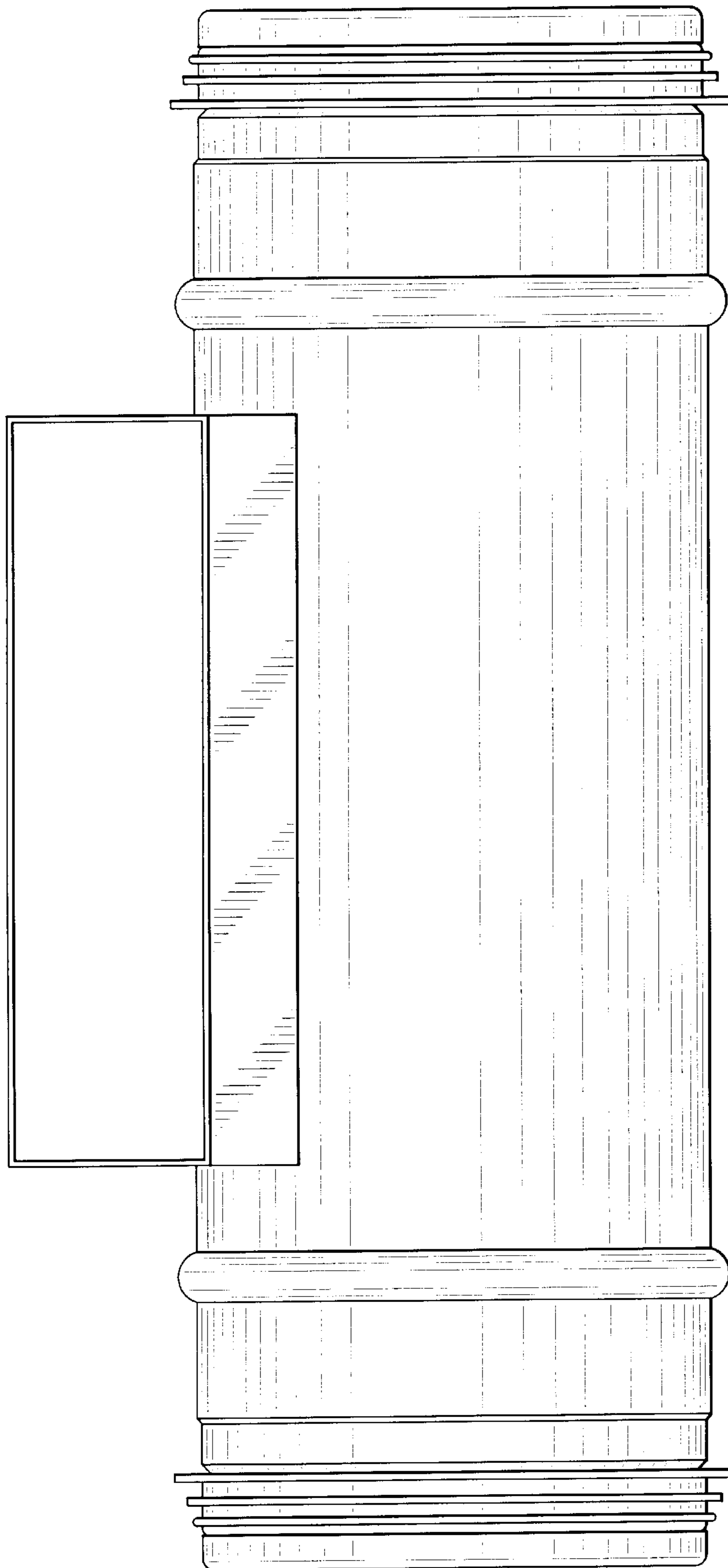


FIG. 5

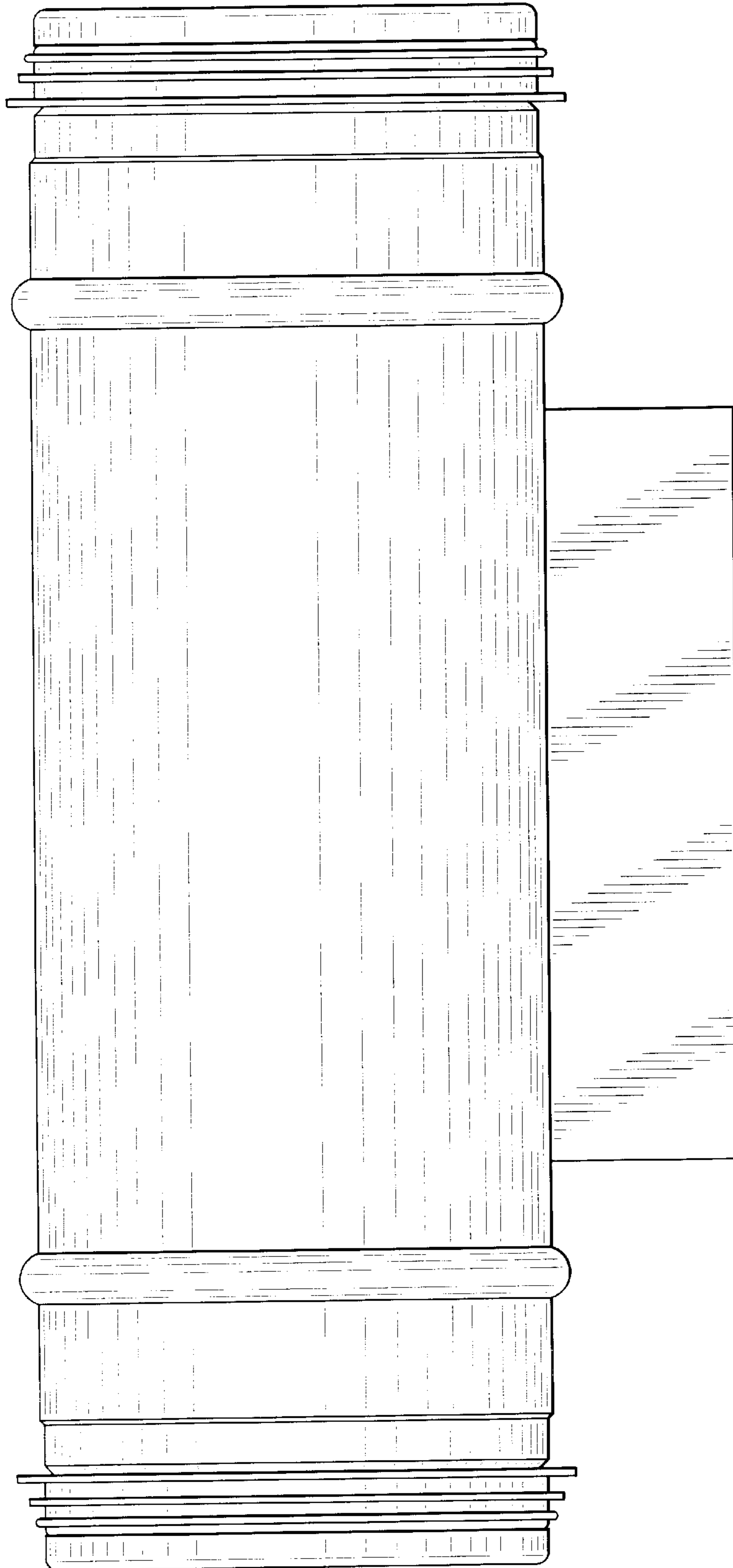


FIG. 6