



US00D489805S

(12) **United States Design Patent**
Vetter

(10) **Patent No.:** **US D489,805 S**

(45) **Date of Patent:** **** May 11, 2004**

(54) **EXHAUST HOOD**

D450,379 S * 11/2001 Strand et al. D23/372
D471,268 S * 3/2003 Segers D23/372

(75) Inventor: **Roland Vetter**, Giengen-Sachsenhausen (DE)

* cited by examiner

(73) Assignee: **BSH Bosch und Siemens Hausgerate GmbH**, Munich (DE)

Primary Examiner—Lisa Lichtenstein
(74) *Attorney, Agent, or Firm*—Laurence A. Greenberg; Werner H. Stemer; Ralph E. Locher

(**) Term: **14 Years**

(57) **CLAIM**

(21) Appl. No.: **29/166,341**

The ornamental design for an exhaust hood, as shown and described.

(22) Filed: **Aug. 26, 2002**

(30) **Foreign Application Priority Data**

DESCRIPTION

Feb. 26, 2002 (DE) 402 01 991

FIG. 1 is a front view of the exhaust hood according to the invention;
FIG. 2 is a front, bottom, left perspective view thereof;
FIG. 3 is a top, front, right perspective view thereof;
FIG. 4 is a right-side view thereof;
FIG. 5 is a left-side view thereof;
FIG. 6 is a rear view thereof;
FIG. 7 is a bottom view thereof; and,
FIG. 8 is a top view thereof.

(51) **LOC (7) Cl.** **23-04**

(52) **U.S. Cl.** **D23/371**

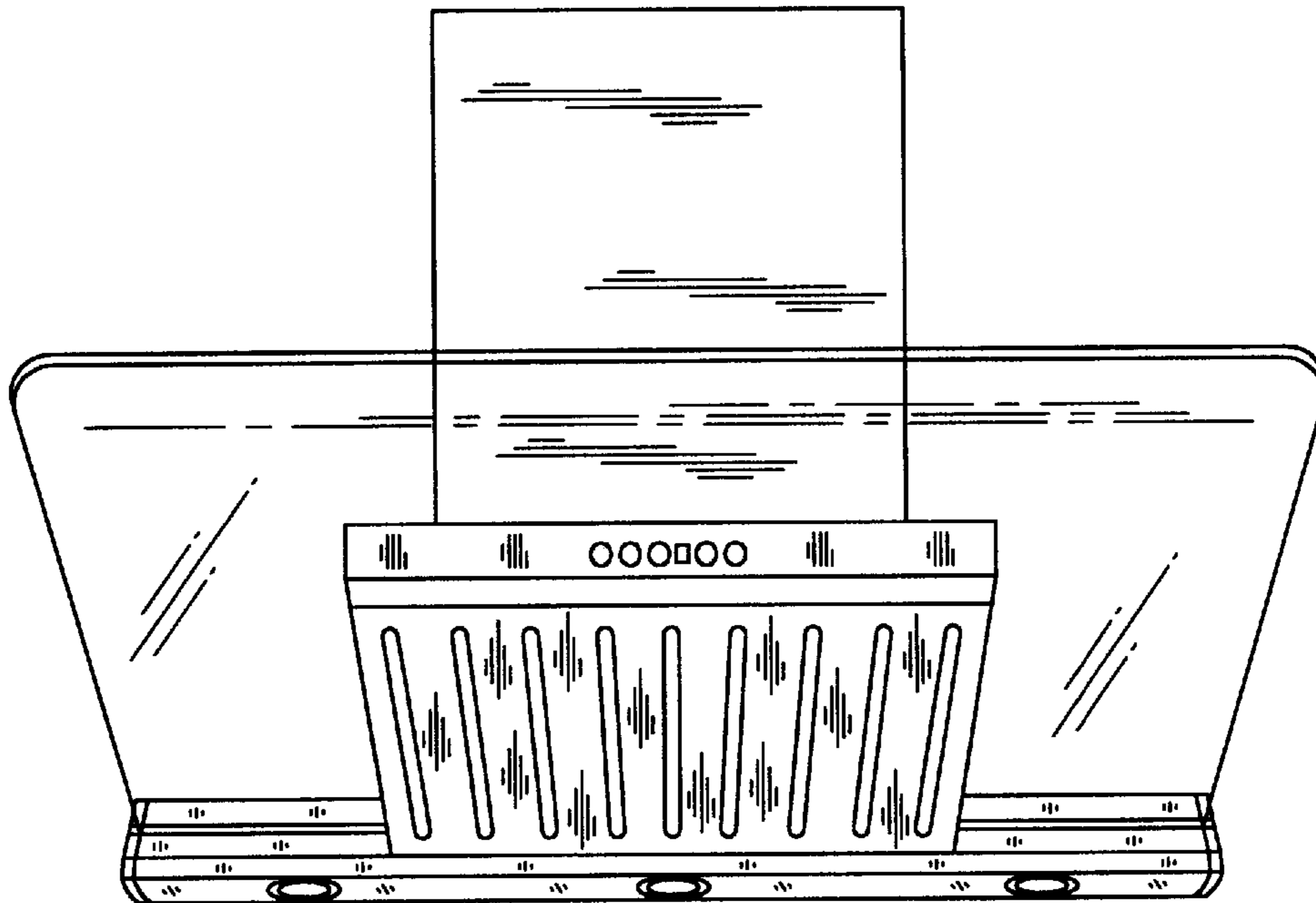
(58) **Field of Search** D23/372; 126/299 R,
126/299 D; D7/406

(56) **References Cited**

U.S. PATENT DOCUMENTS

D444,221 S * 6/2001 Strand et al. D23/372

1 Claim, 4 Drawing Sheets



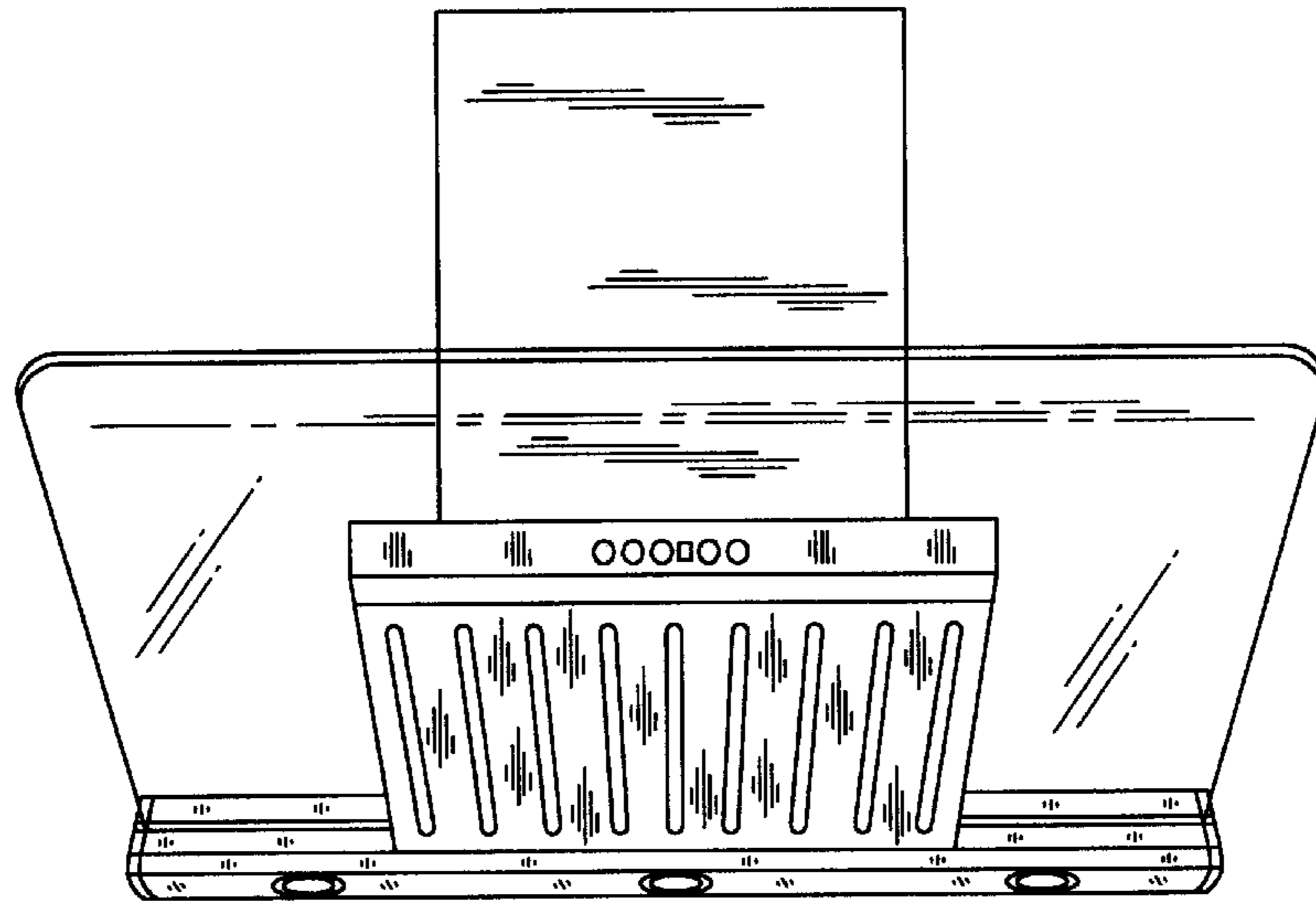


FIG. 1

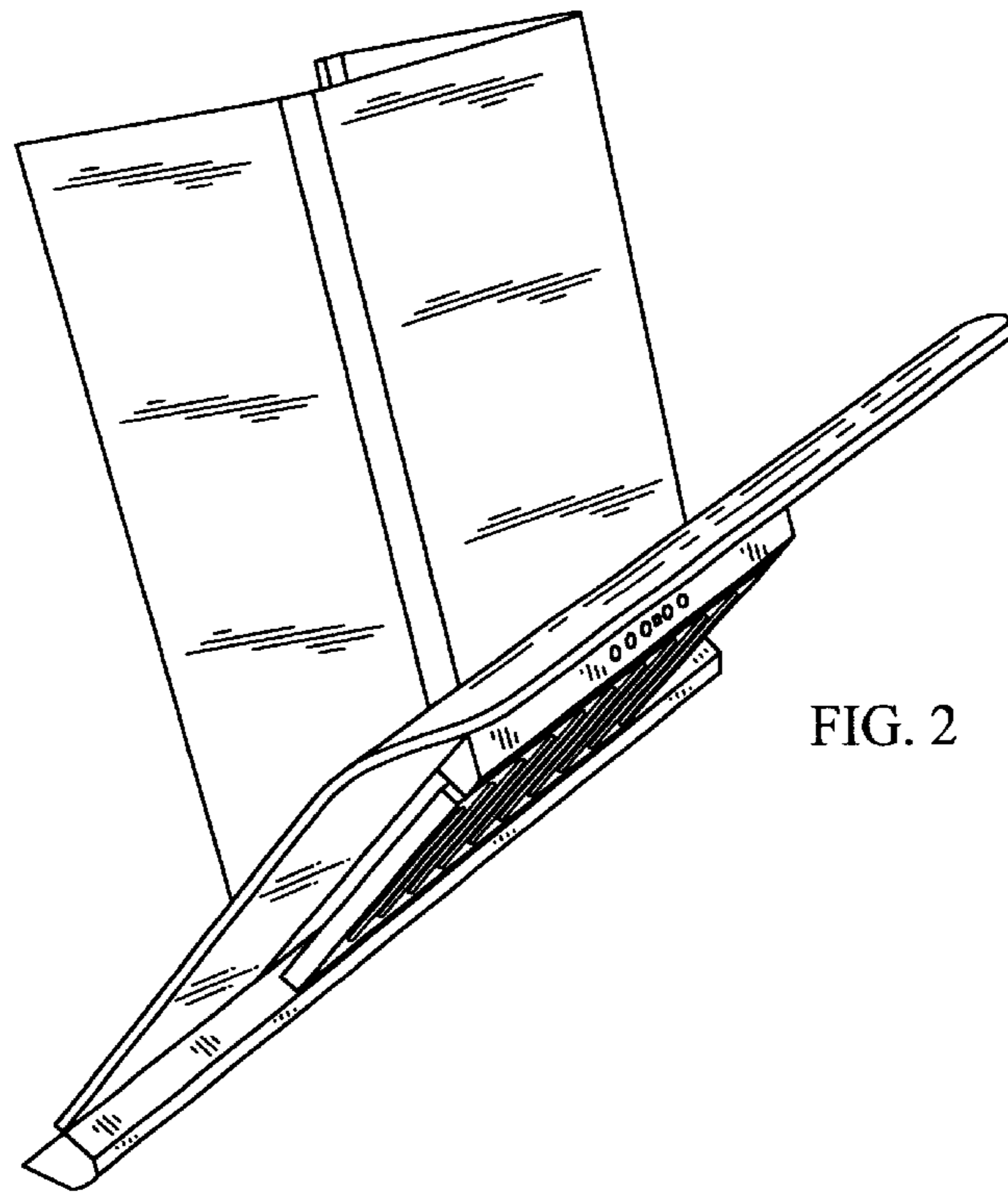


FIG. 2

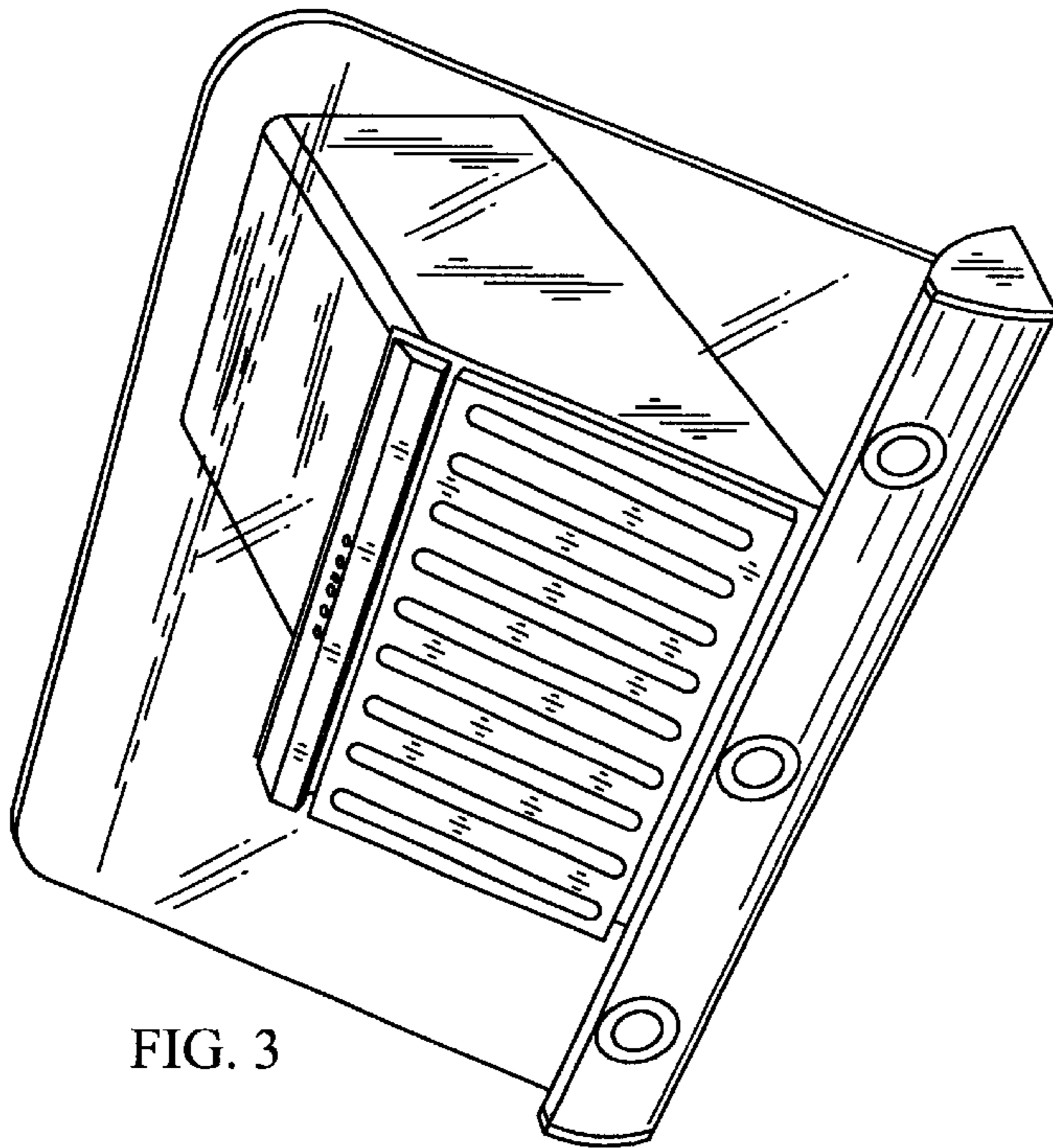


FIG. 3

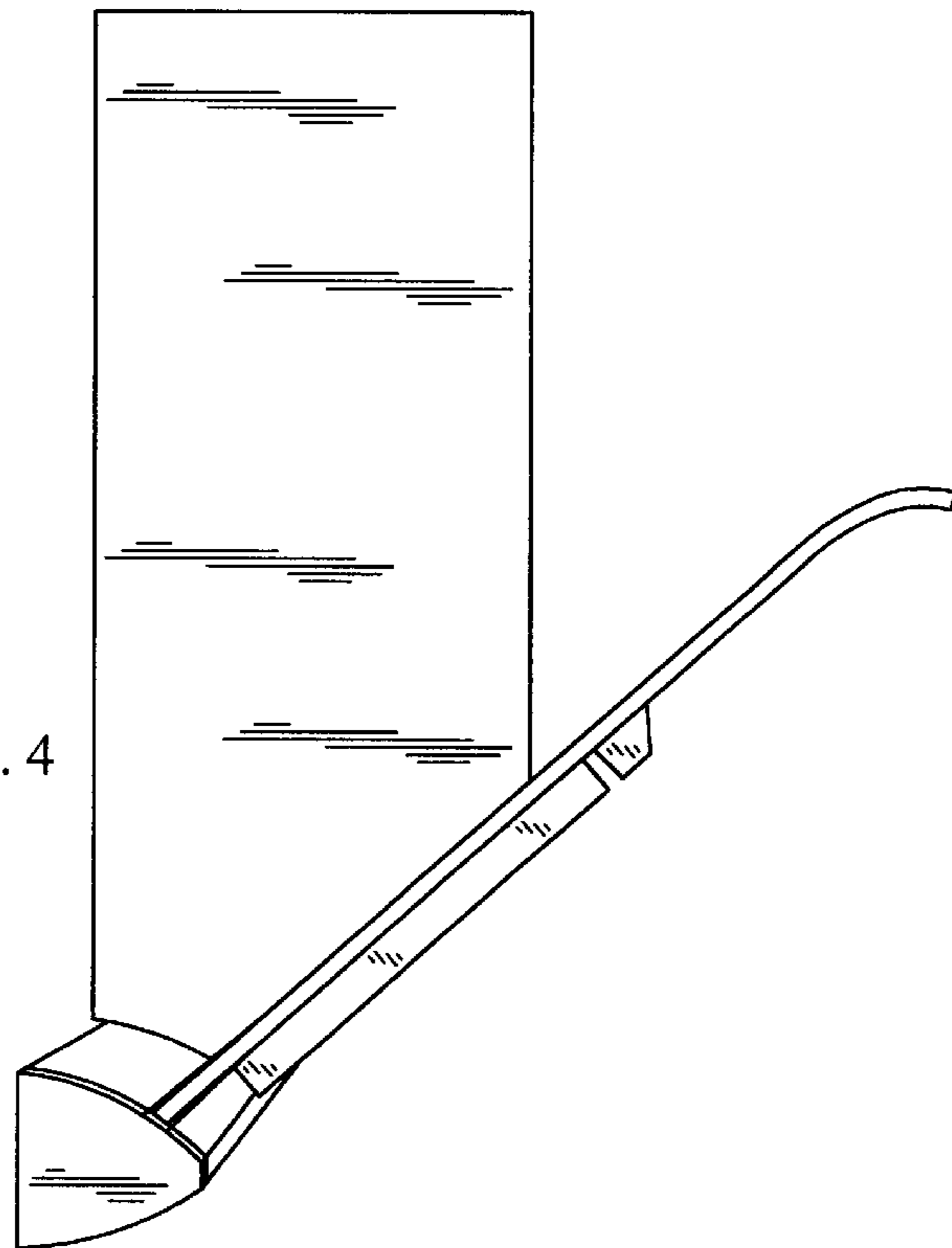


FIG. 4

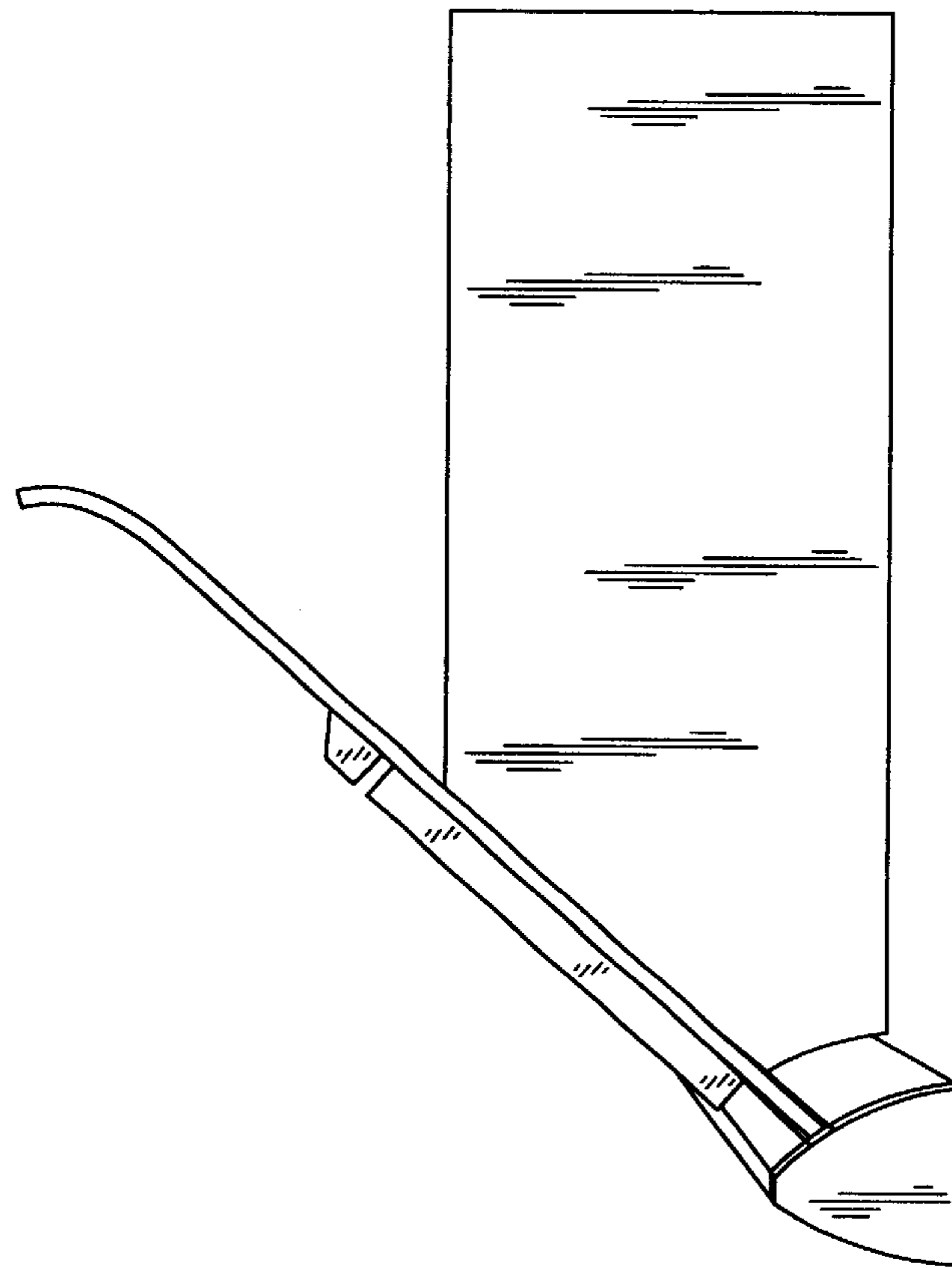


FIG. 5

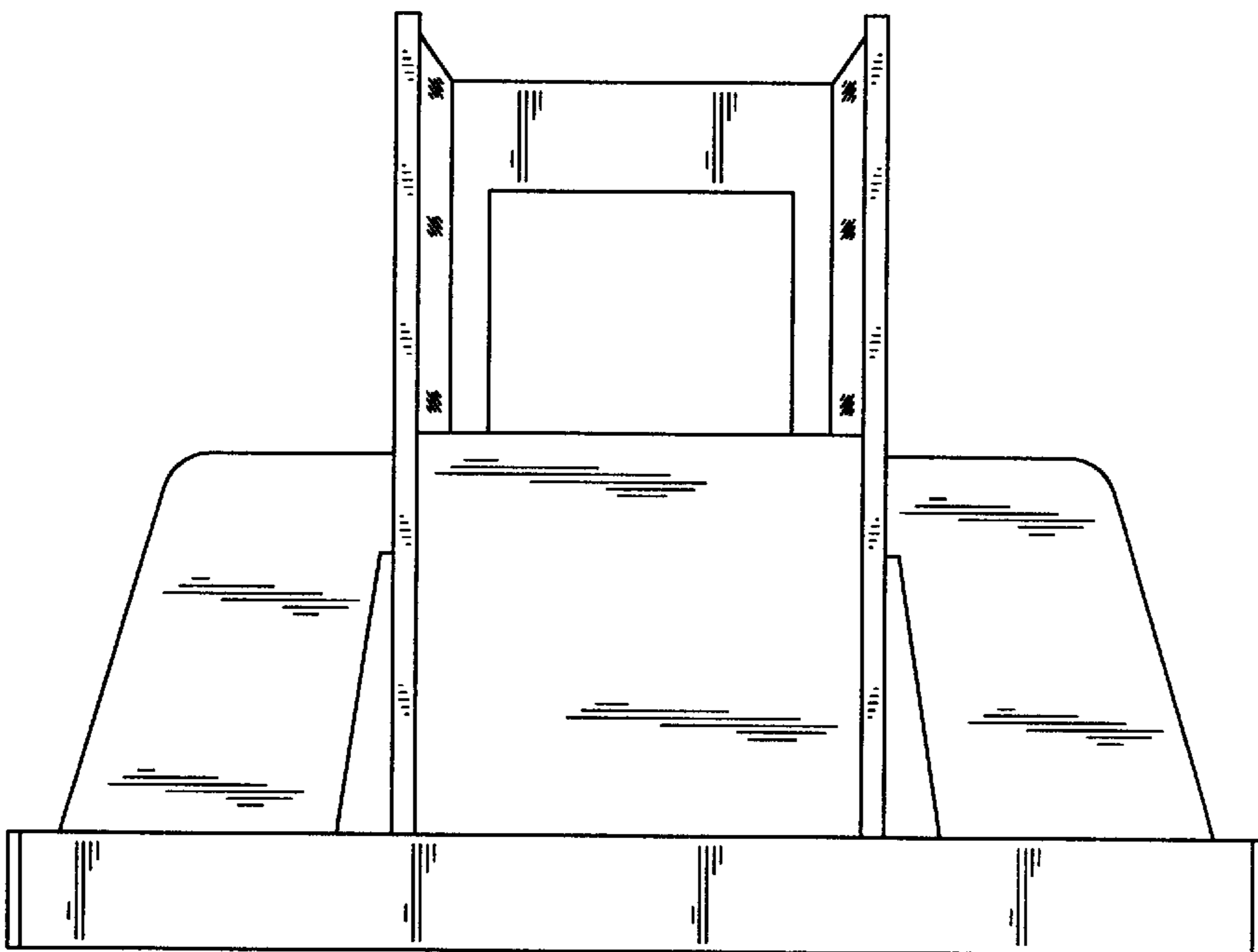


FIG. 6

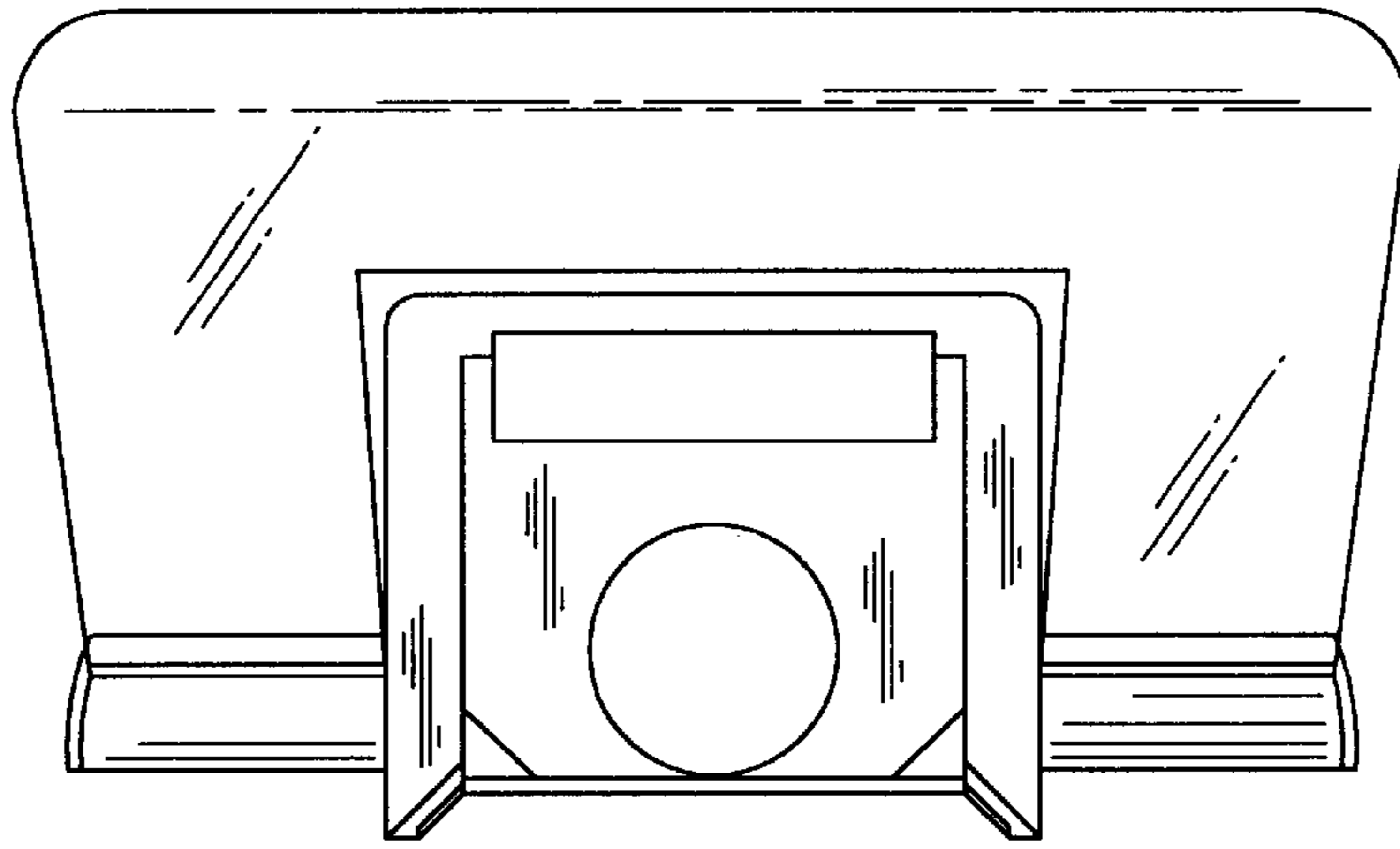


FIG. 7

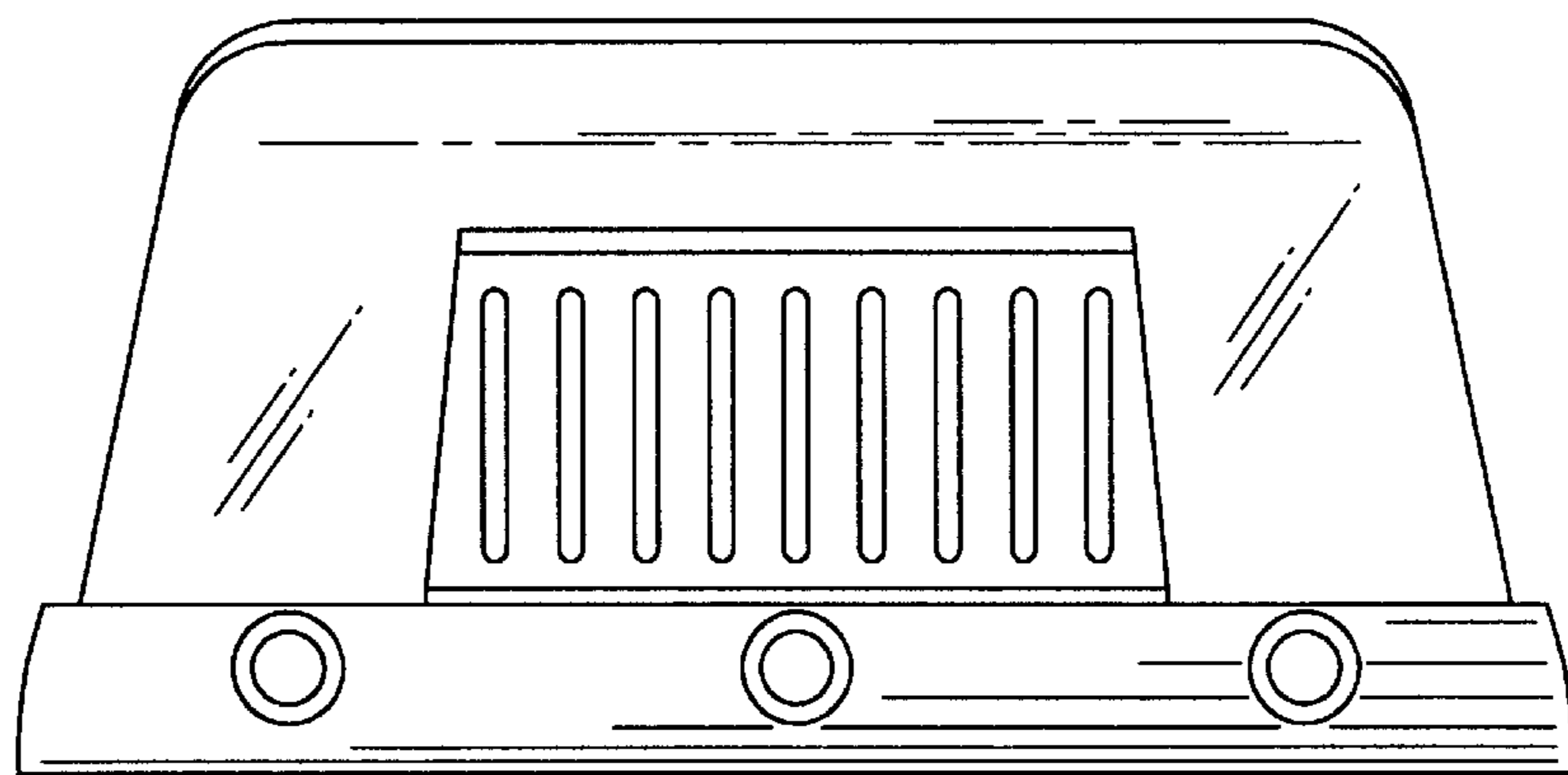


FIG. 8