



US00D489804S

(12) **United States Design Patent**  
**Wagner**

(10) **Patent No.:** **US D489,804 S**

(45) **Date of Patent:** **\*\* May 11, 2004**

(54) **COOLING DEVICE**

5,700,129 A \* 12/1997 Kocian ..... 415/176  
D403,755 S \* 1/1999 Liang ..... D23/370  
5,910,694 A \* 6/1999 Yokozawa et al. .... 415/176

(75) Inventor: **Guy R. Wagner**, Loveland, CO (US)

(73) Assignee: **Agilent Technologies, Inc.**, Palo Alto, CA (US)

\* cited by examiner

(\*\*) Term: **14 Years**

*Primary Examiner*—Lisa Lichtenstein

(21) Appl. No.: **29/186,246**

(57) **CLAIM**

(22) Filed: **Jul. 10, 2003**

The ornamental design for a cooling device, as shown and described.

**Related U.S. Application Data**

**DESCRIPTION**

(62) Division of application No. 29/167,644, filed on Sep. 18, 2002, which is a division of application No. 29/149,813, filed on Oct. 17, 2001, now Pat. No. Des. 476,072, which is a division of application No. 29/125,793, filed on Jun. 29, 2000, now Pat. No. Des. 454,947.

FIG. 1 is a top front perspective view of a cooling device showing my new design;

(51) **LOC (7) Cl.** ..... **23-04**

FIG. 2 is a top plan view thereof, the bottom plan view is not shown as it is flat and unornamented;

(52) **U.S. Cl.** ..... **D23/370**

(58) **Field of Search** ..... D23/370, 379;  
415/176-178, 175, 211.2, 209.2

FIG. 3 is a left side elevation view thereof, the right side elevation view being identical thereto; and,

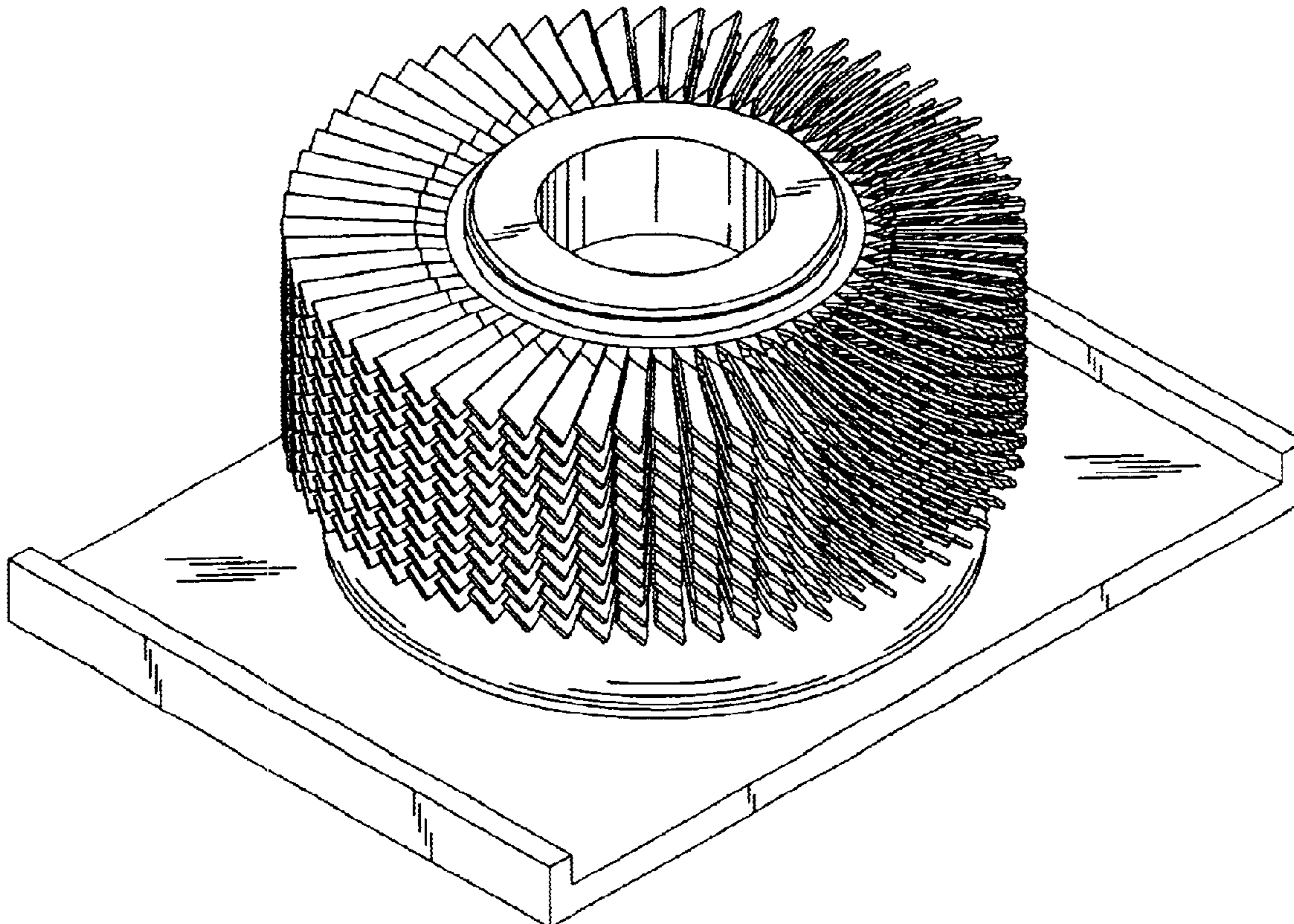
FIG. 4 is a front elevation view thereof.

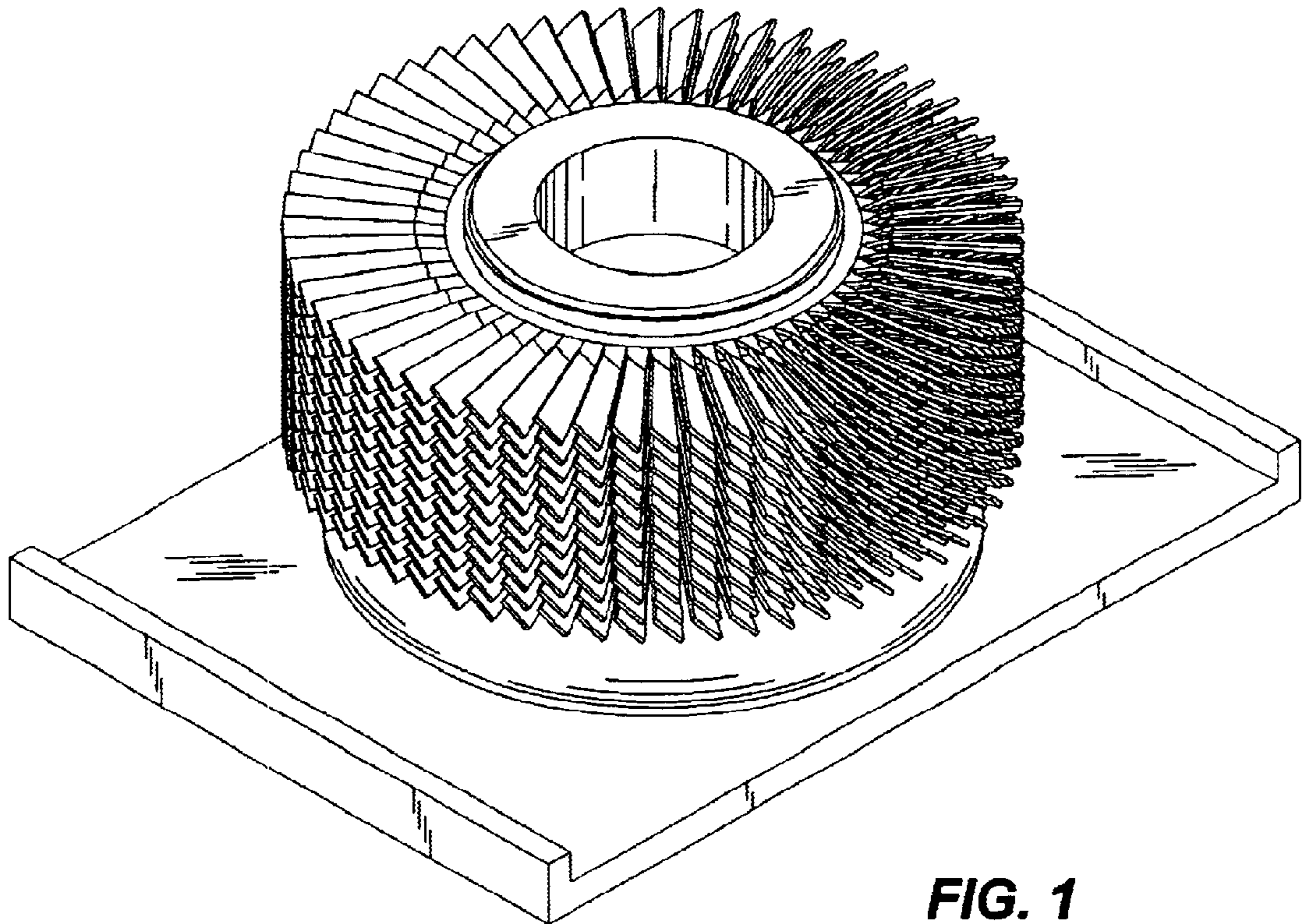
(56) **References Cited**

**U.S. PATENT DOCUMENTS**

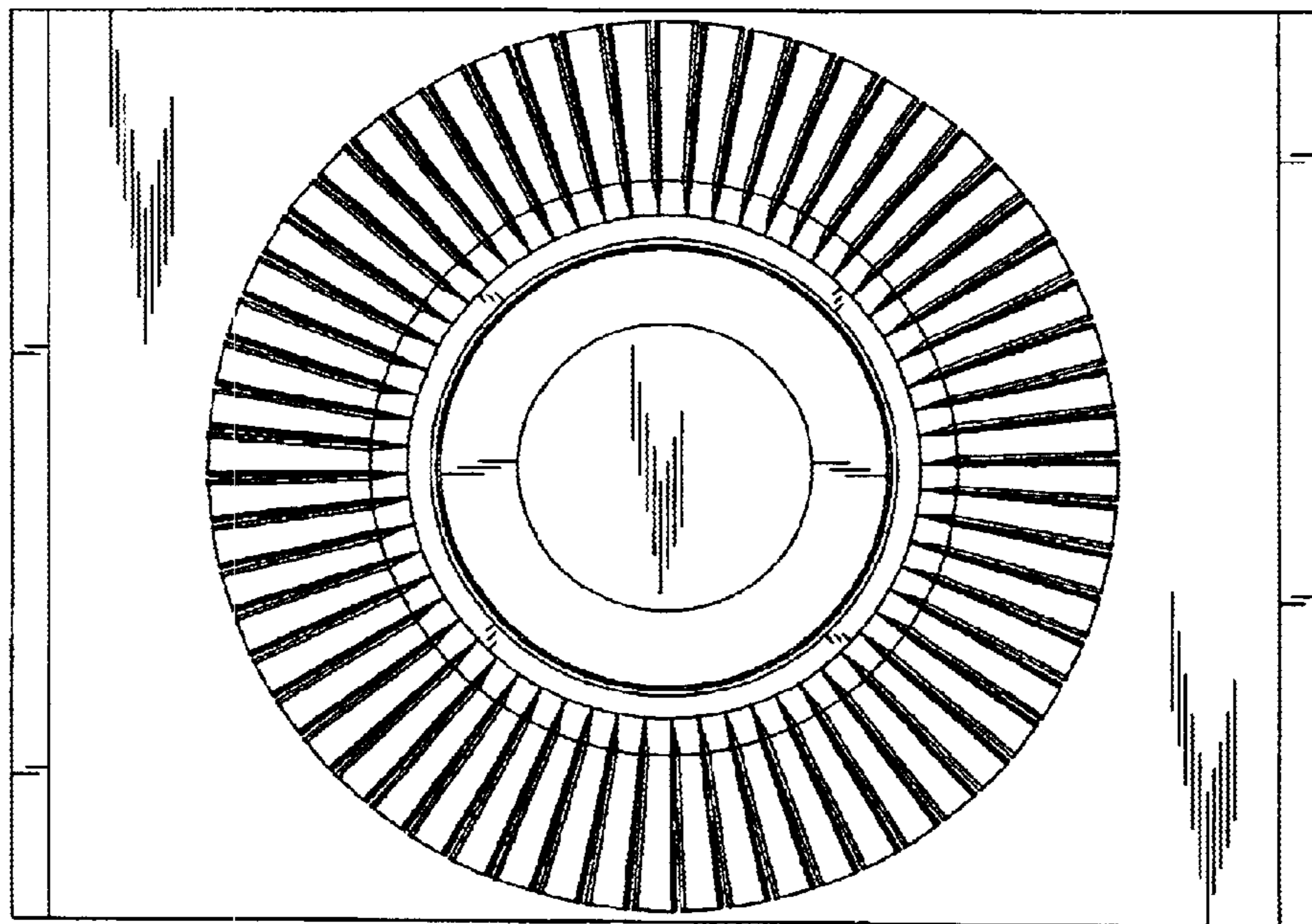
D326,080 S \* 5/1992 Vartiala ..... D12/214

**1 Claim, 2 Drawing Sheets**

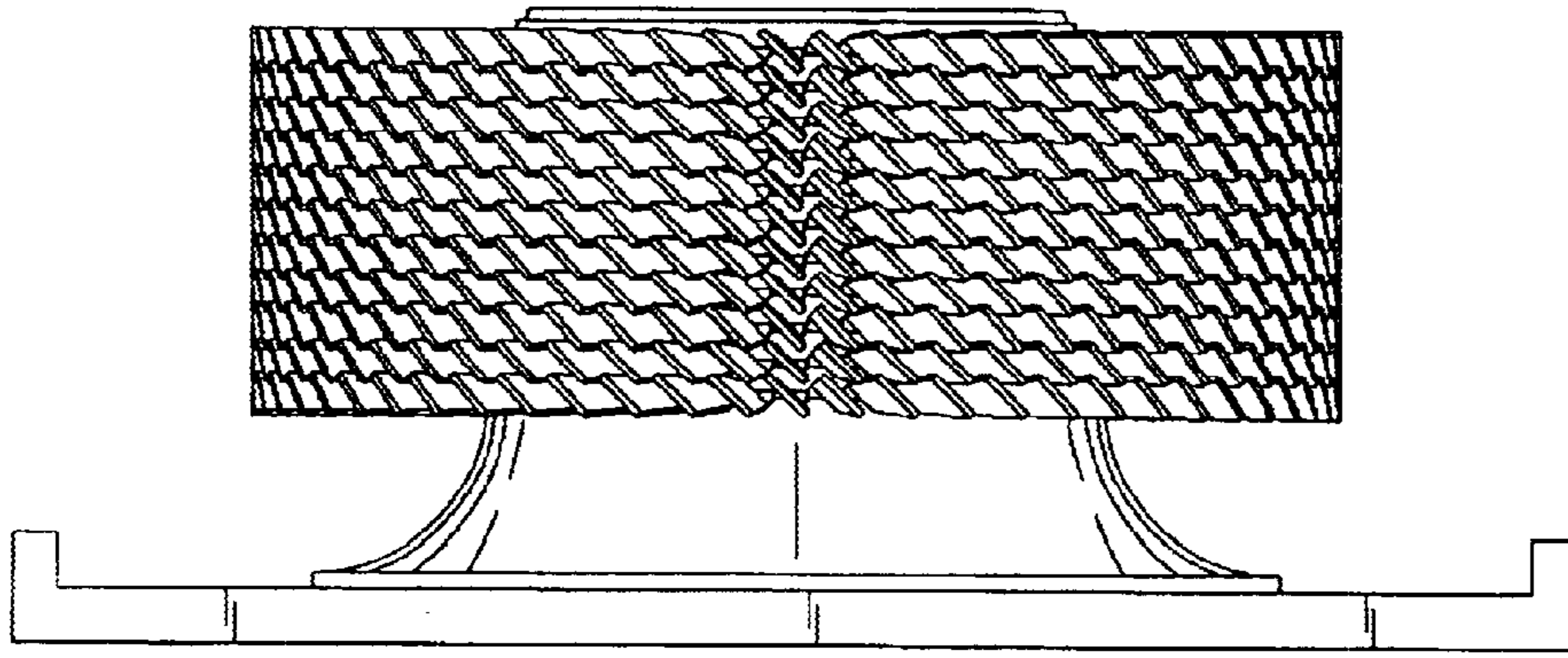




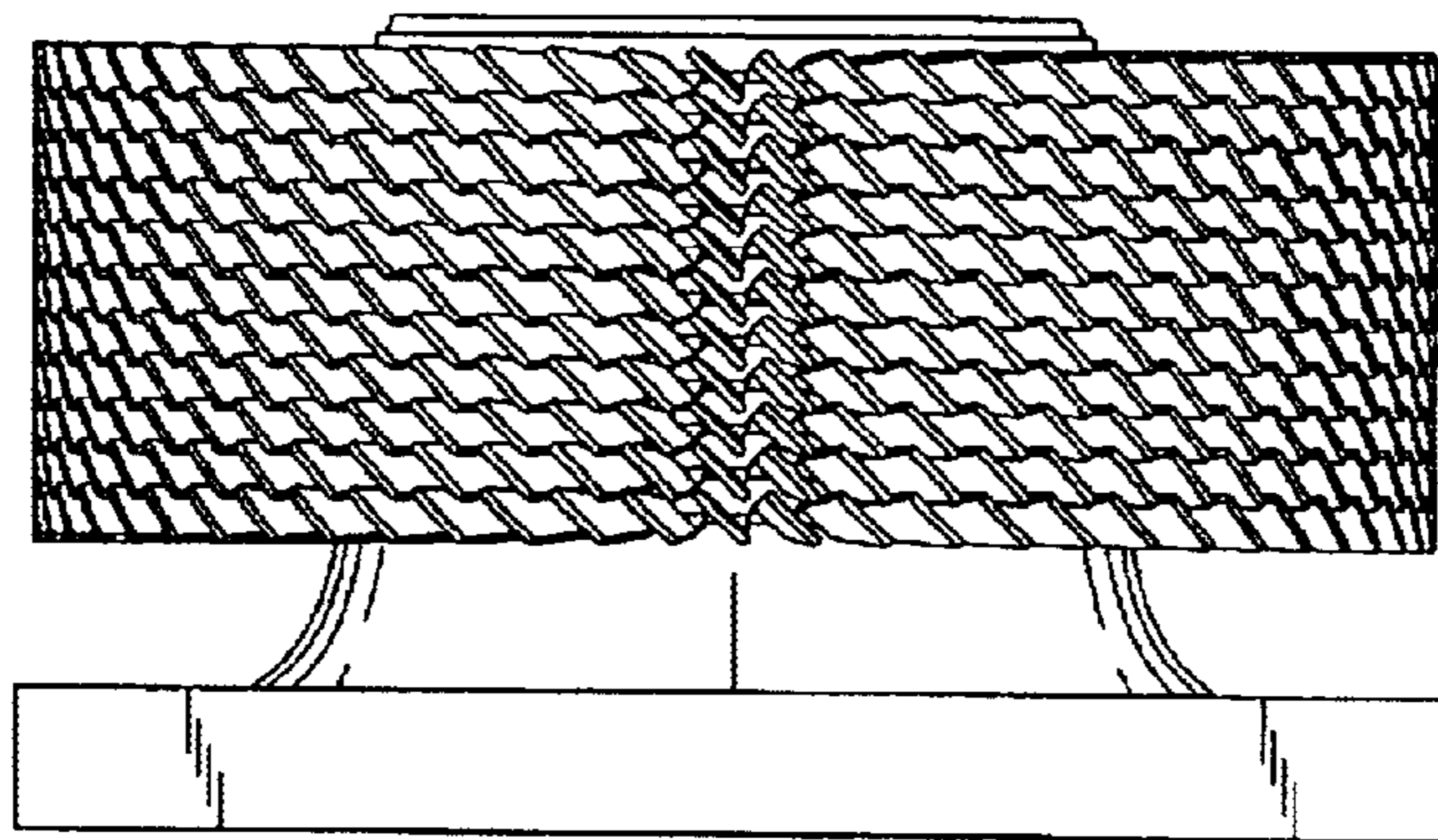
**FIG. 1**



**FIG. 2**



**FIG. 3**



**FIG. 4**