



US00D489800S

(12) **United States Design Patent**
Tokunaga

(10) **Patent No.:** **US D489,800 S**

(45) **Date of Patent:** **** May 11, 2004**

(54) **AIR PURIFIER**

(75) Inventor: **Daijiroh Tokunaga**, Osaka-fu (JP)

(73) Assignee: **Sharp Kabushiki Kaisha**, Osaka (JP)

(**) Term: **14 Years**

(21) Appl. No.: **29/177,108**

(22) Filed: **Mar. 5, 2003**

(30) **Foreign Application Priority Data**

Sep. 5, 2002 (JP) 2002-024021

(51) **LOC (7) Cl.** **23-04**

(52) **U.S. Cl.** **D23/364**

(58) **Field of Search** D23/355, 356,
D23/364; 96/15; 55/504, 473

(56) **References Cited**

U.S. PATENT DOCUMENTS

D379,220 S * 5/1997 Ellwood D23/364

D388,510 S * 12/1997 Rick et al. D23/355

D395,146 S * 6/1998 Miller et al. D23/364

D450,825 S * 11/2001 Nakamura et al. D23/364

D481,786 S * 11/2003 Tokunaga D23/364

* cited by examiner

Primary Examiner—Robin V. Taylor

(74) *Attorney, Agent, or Firm*—Nixon & Vanderhye

(57) **CLAIM**

The ornamental design for an “air purifier”, as shown and described.

DESCRIPTION

FIG. 1 is a top, front and right side perspective view of an air purifier according to my design;

FIG. 2 is a front elevational view thereof;

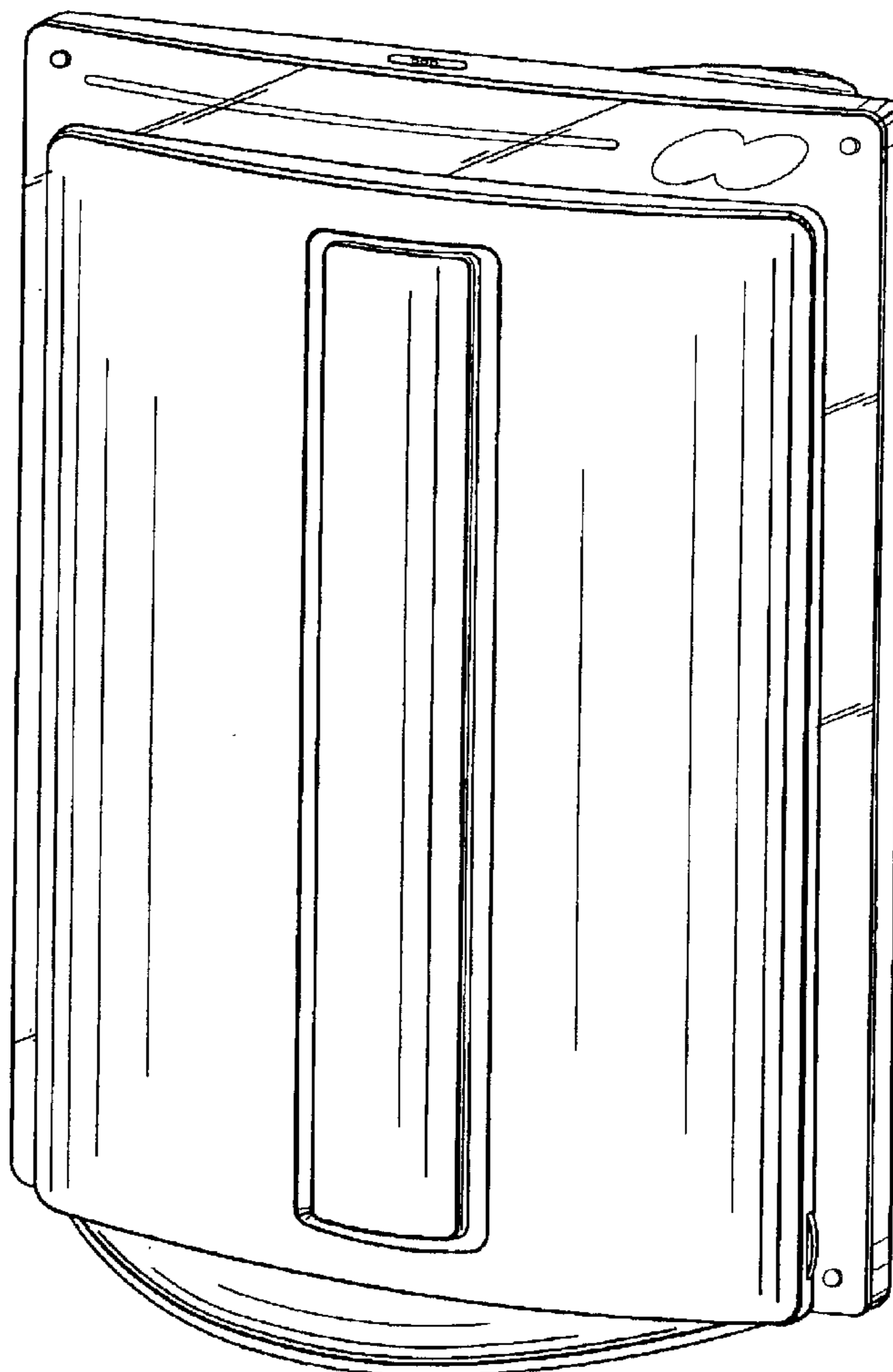
FIG. 3 is a rear elevational view thereof;

FIG. 4 is a bottom plan view thereof;

FIG. 5 is a top plan view thereof; and,

FIG. 6 is a left side elevational view thereof, the right side view being a mirror image thereof.

1 Claim, 5 Drawing Sheets



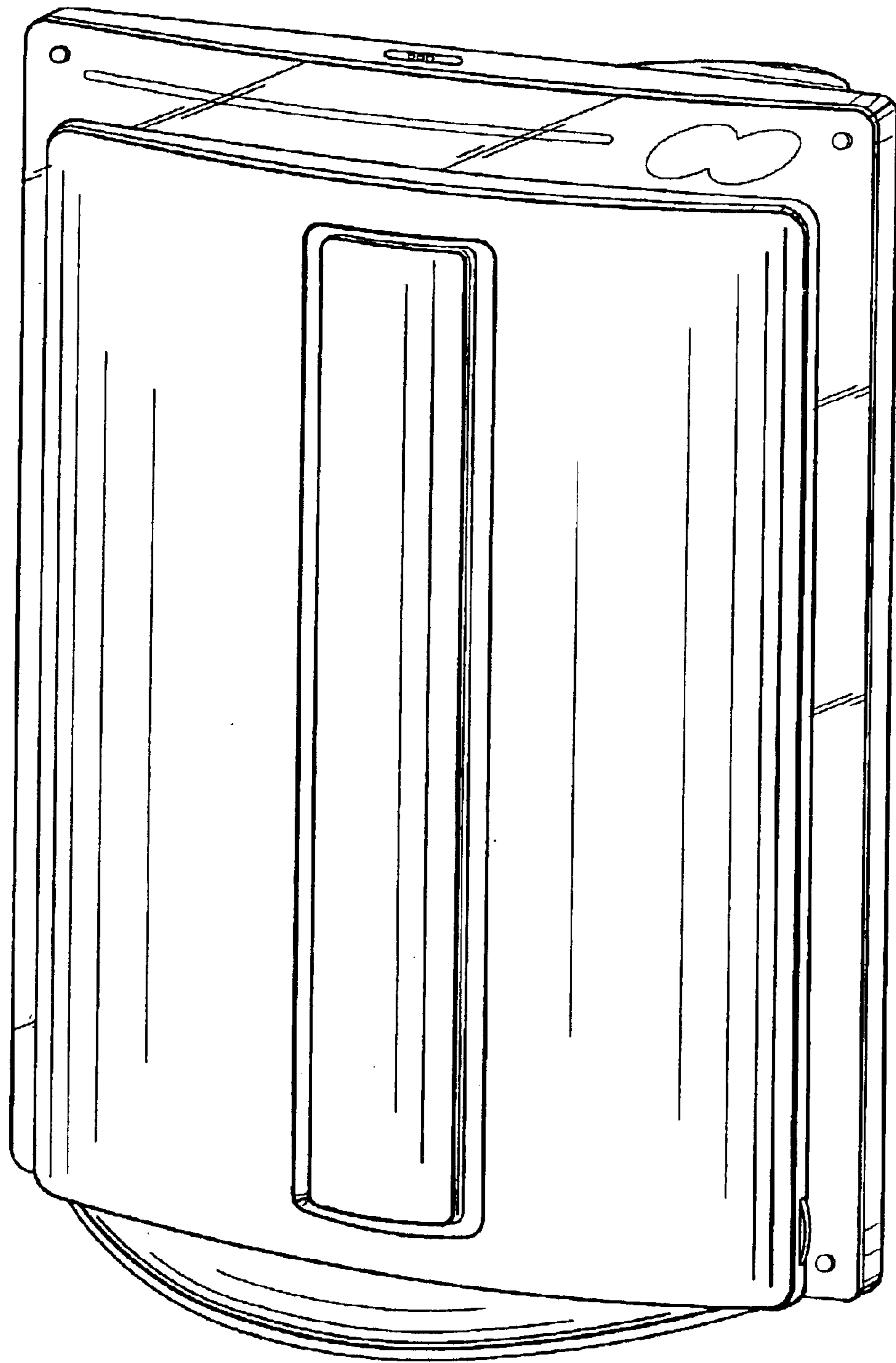


Fig. 1

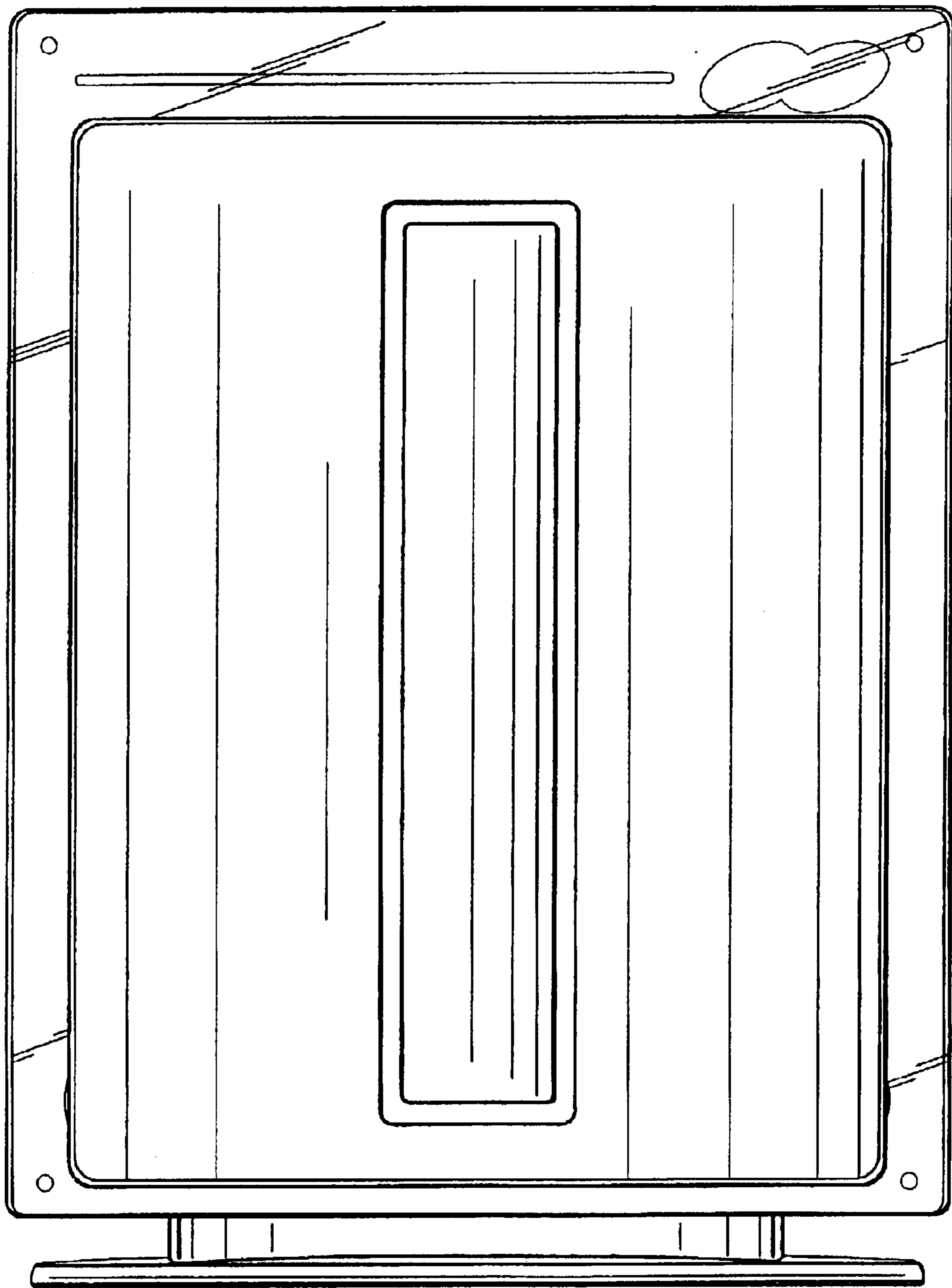


Fig.2

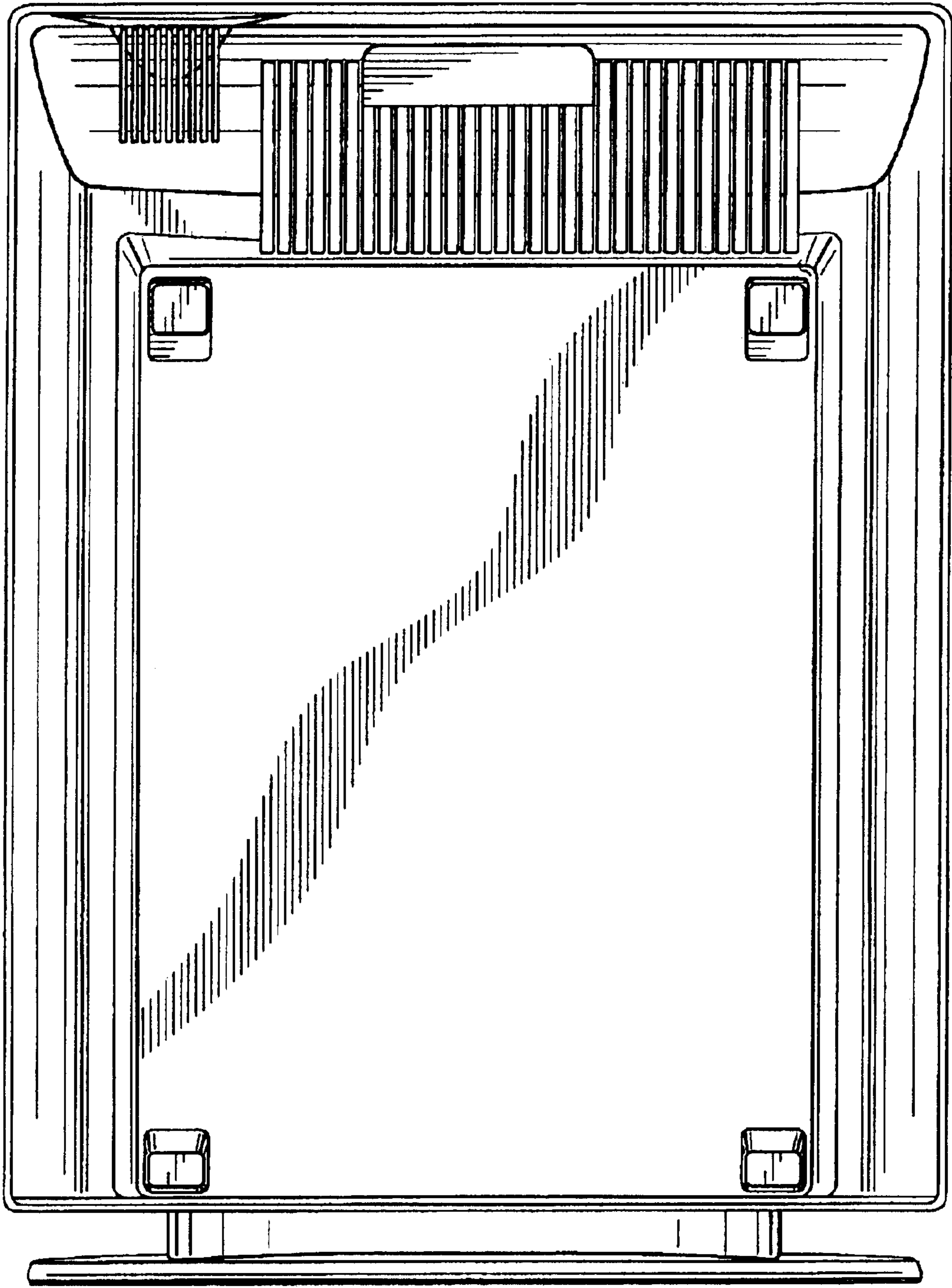


Fig.3

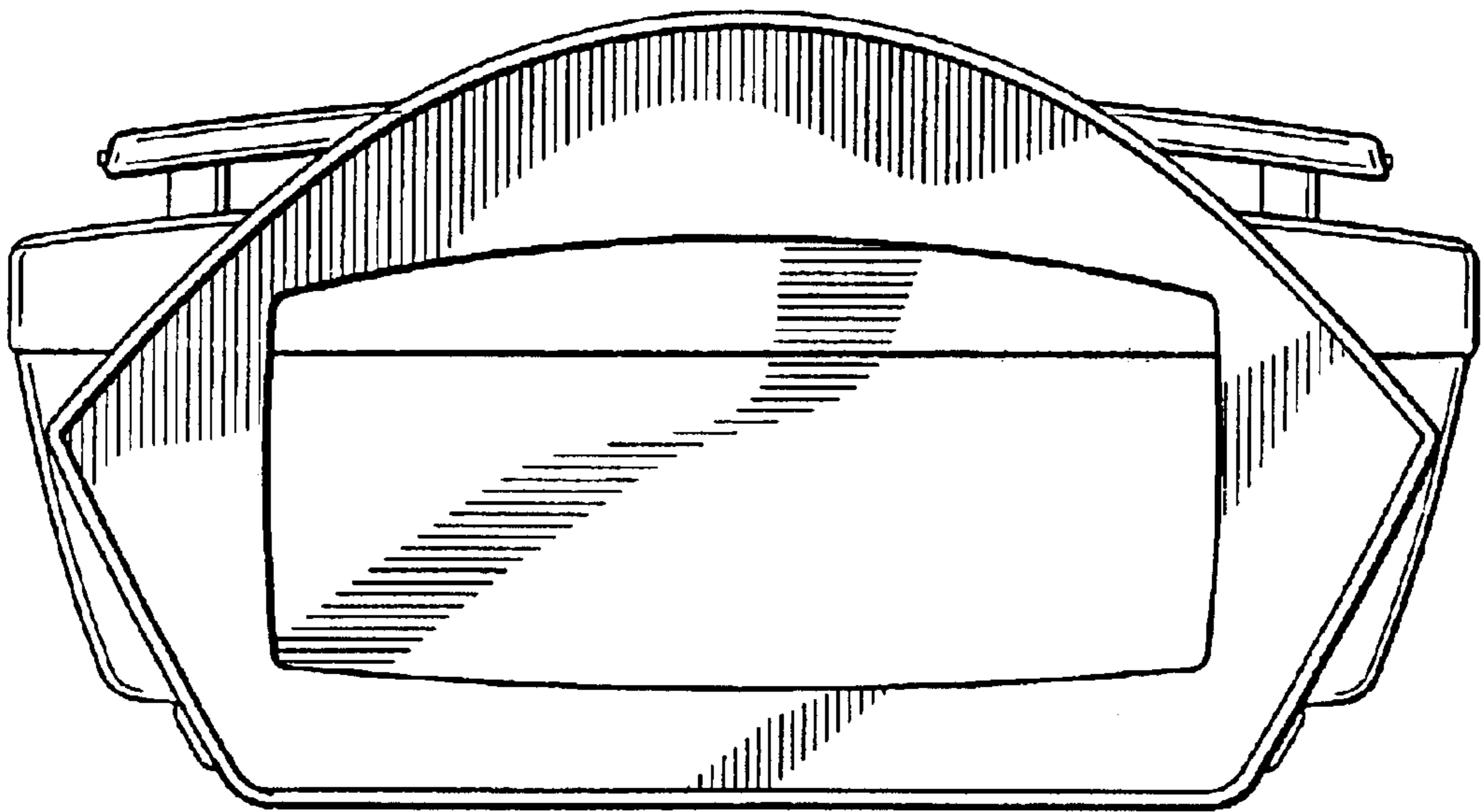


Fig.4

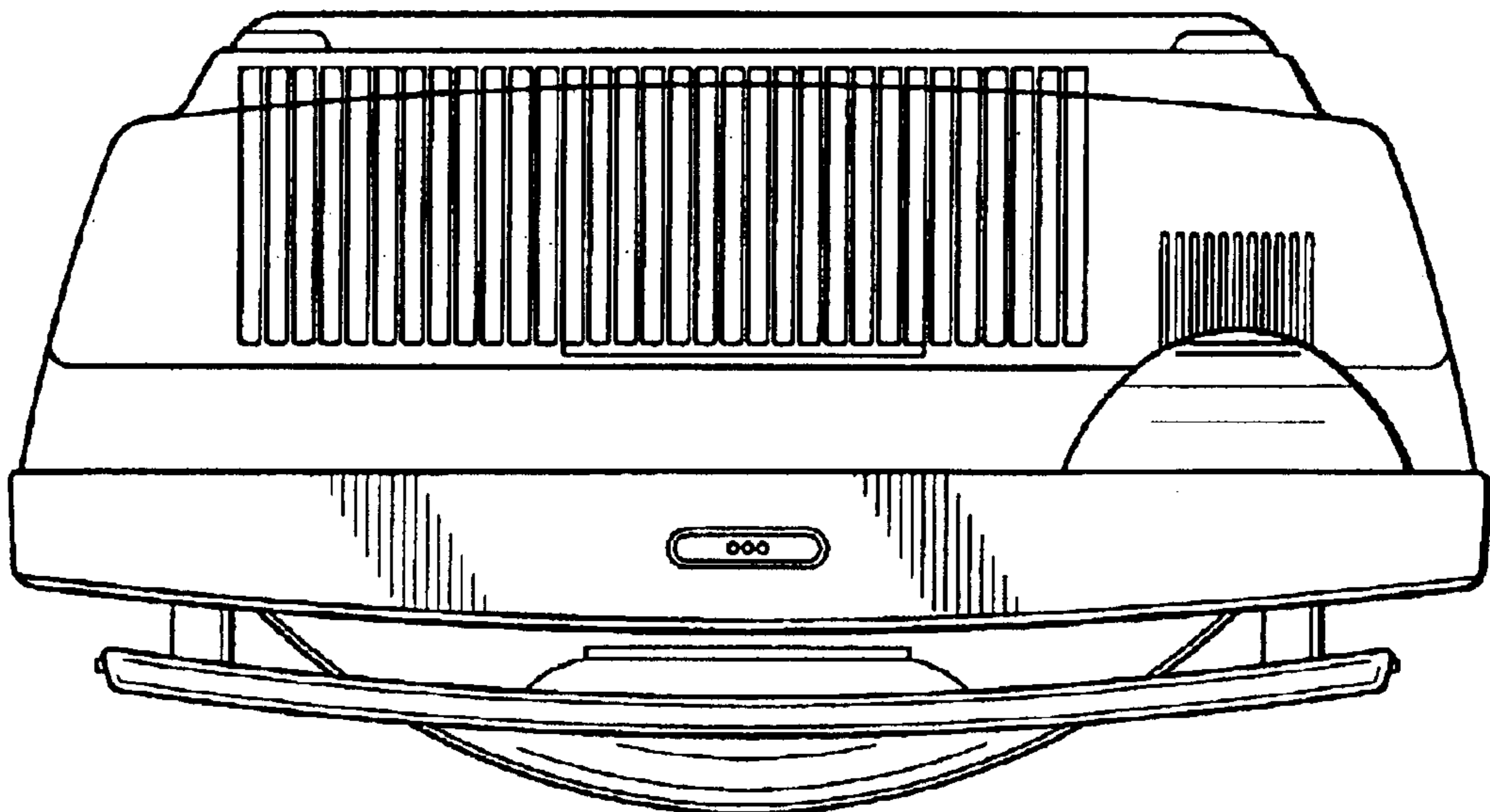


Fig.5

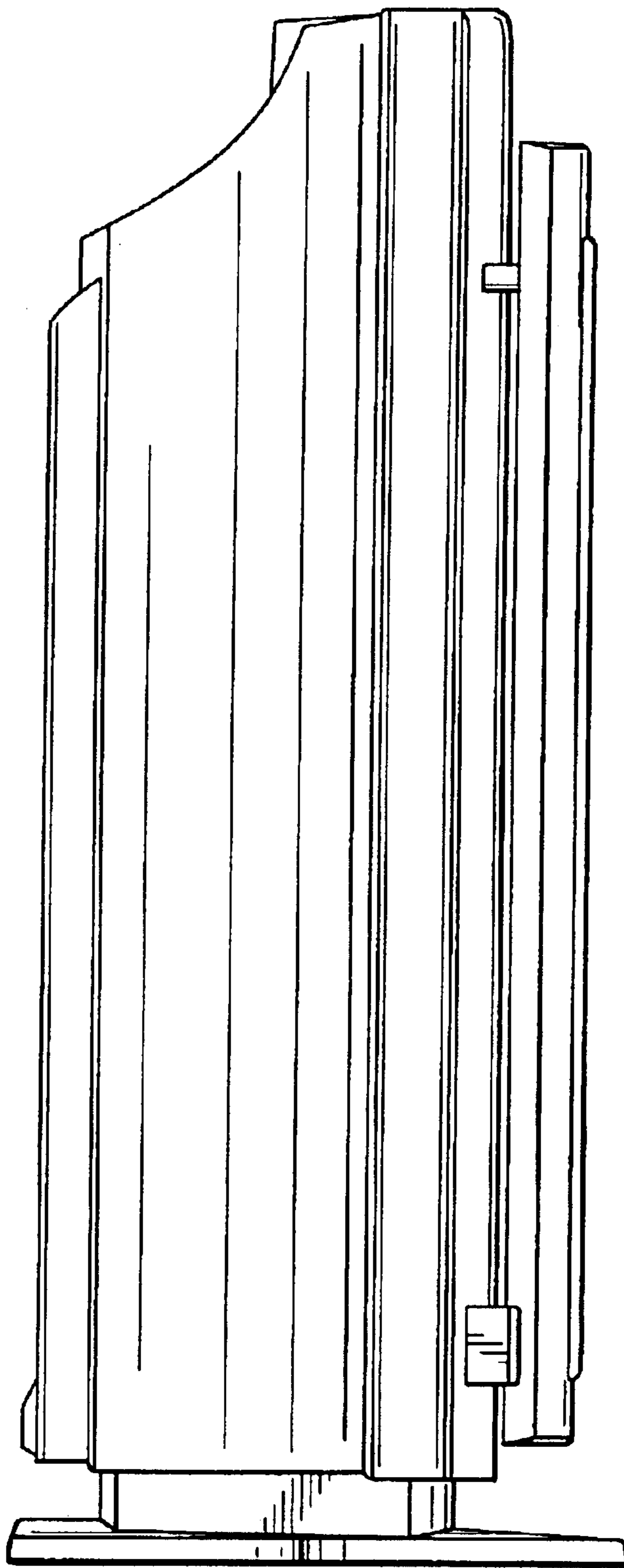


Fig.6