



US00D489798S

(12) **United States Design Patent**
Hunt

(10) **Patent No.:** **US D489,798 S**

(45) **Date of Patent:** **** May 11, 2004**

(54) **SHOWER HOLDER ATTACHMENT**

(75) Inventor: **Jill M. Hunt**, Harvard, IL (US)

(73) Assignee: **Moen Incorporated**, North Olmsted, OH (US)

(**) Term: **14 Years**

(21) Appl. No.: **29/172,328**

(22) Filed: **Dec. 10, 2002**

(51) **LOC (7) Cl.** **23-02**

(52) **U.S. Cl.** **D23/304**

(58) **Field of Search** D23/273, 280.2,
D23/303, 304, 305; D24/204, 205; 4/538,
546, 555, 559, 571.1-580, 661

(56) **References Cited**

U.S. PATENT DOCUMENTS

D251,908 S	*	5/1979	Fujita	D8/373 X
D340,376 S		10/1993	Klose		
D341,191 S		11/1993	Klose		
D374,393 S	*	10/1996	Beasley	D8/373
5,632,049 A		5/1997	Chen		
D391,350 S		2/1998	Gottwald		
D403,754 S		1/1999	Gottwald		
D412,563 S		8/1999	Milrud		
D419,227 S		1/2000	Ben-Tsur		

6,024,331 A	2/2000	Bischoff et al.	
D426,290 S	6/2000	Haug et al.	
D428,124 S	*	7/2000	Starck D23/304
D448,069 S	9/2001	Wales	

* cited by examiner

Primary Examiner—Louis S. Zarfus
Assistant Examiner—Robert A Delehanty
(74) *Attorney, Agent, or Firm*—Cook, Alex, McFarron,
Manzo, Cummings & Mehler, Ltd.

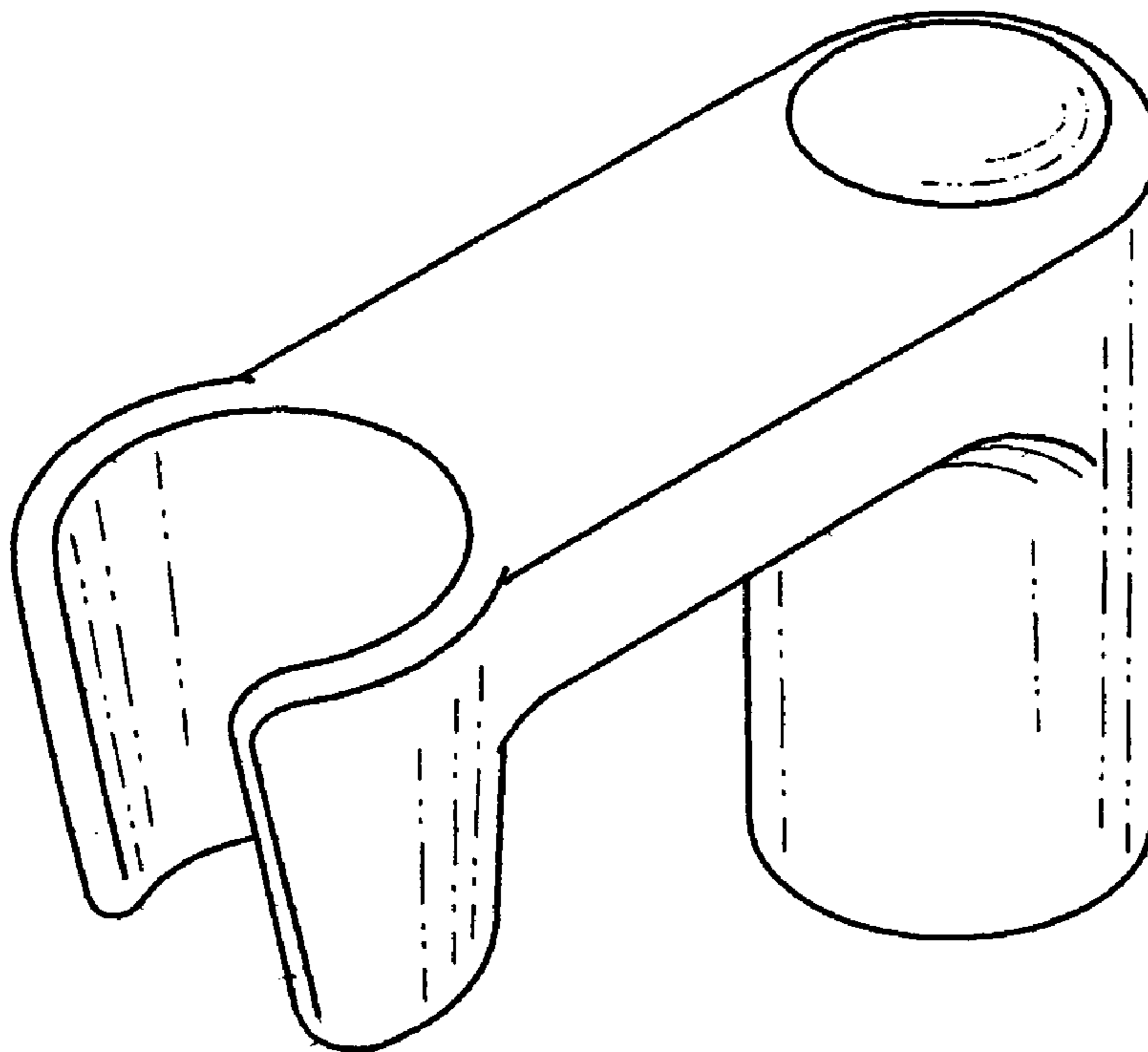
(57) **CLAIM**

The ornamental design for a shower holder attachment, as shown and described.

DESCRIPTION

FIG. 1 is a perspective view of my new design for a shower holder attachment.
FIG. 2 is a top plan view.
FIG. 3 is a bottom plan view.
FIG. 4 is a right side elevation view.
FIG. 5 is a rear elevation view.
FIG. 6 is a left side elevation view; and,
FIG. 7 is a front elevation view.
The broken line showing of portions of the attachment is for illustrative purposes only and forms no part of the claimed design.

1 Claim, 2 Drawing Sheets



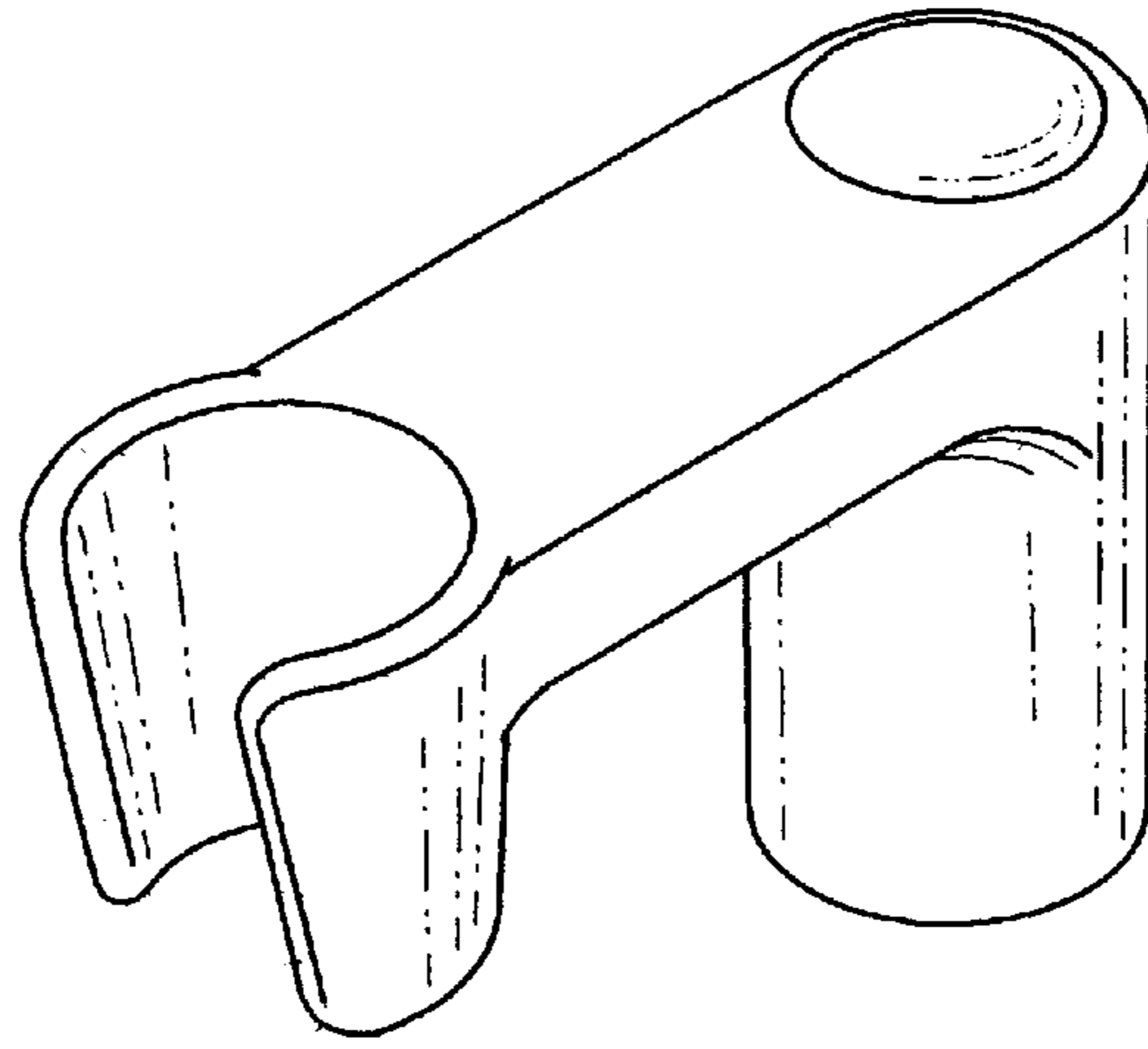


FIG. 1

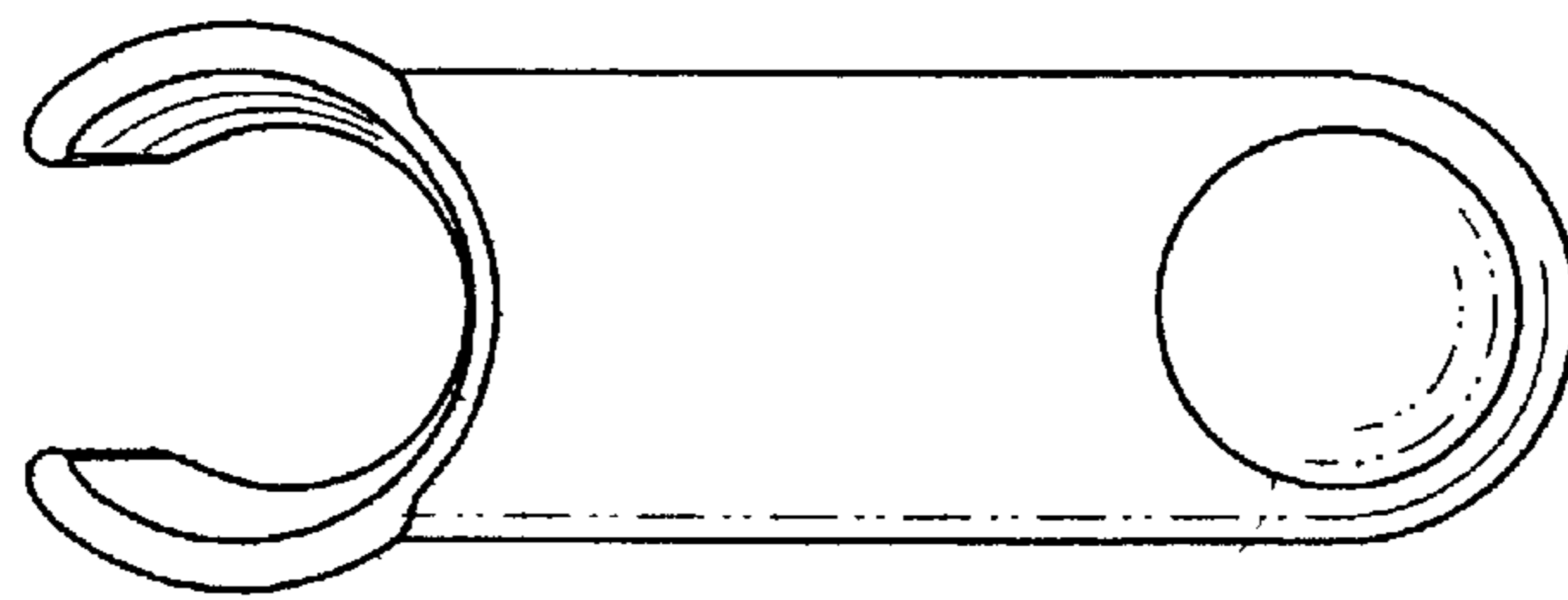


FIG. 2

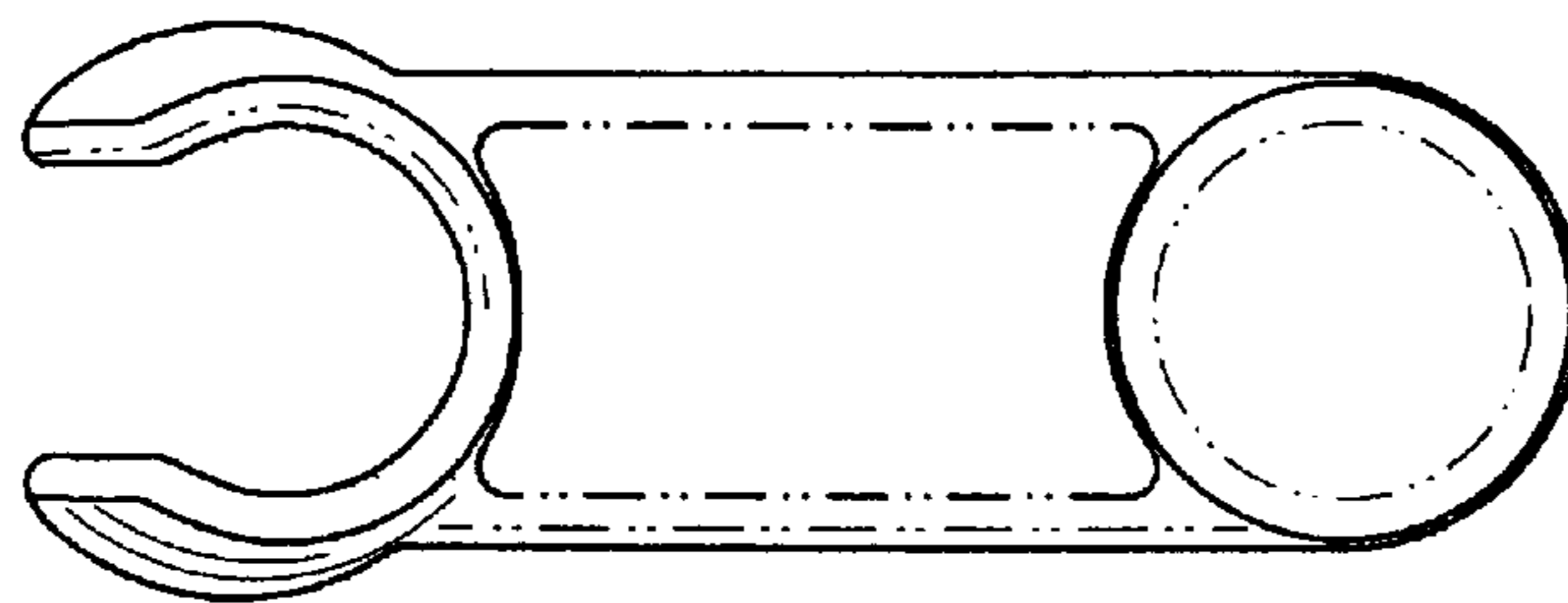


FIG. 3

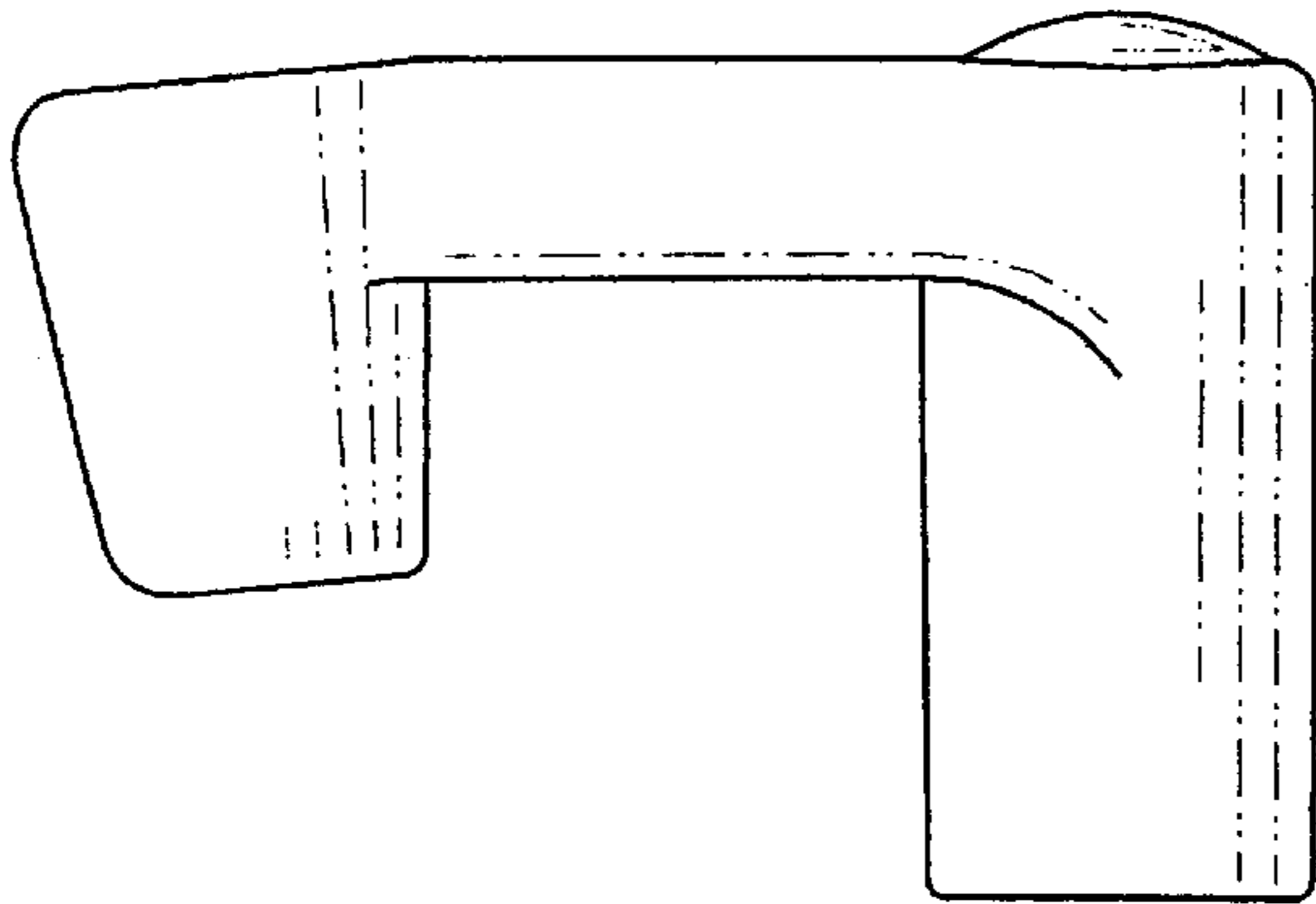


FIG. 4

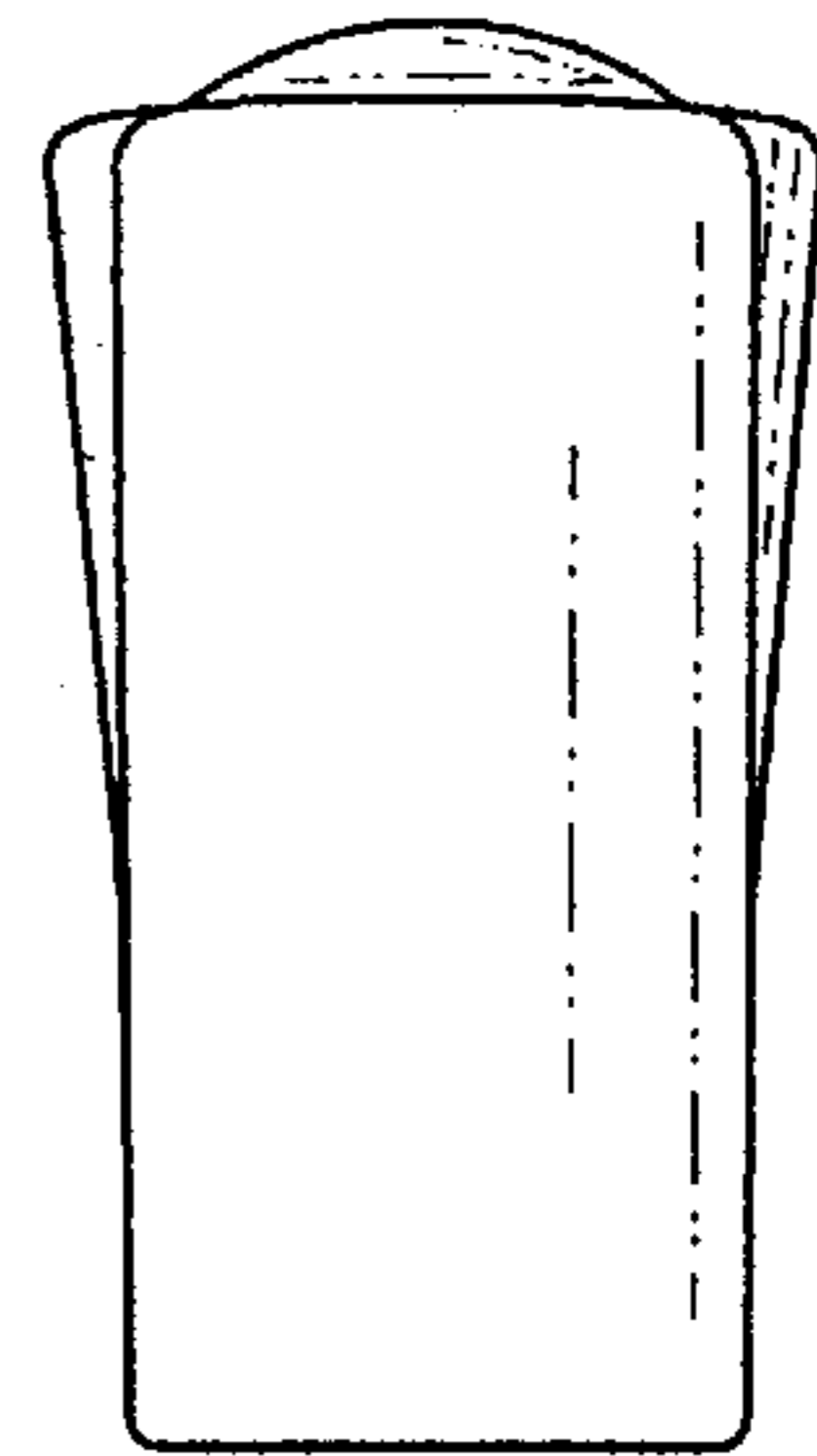


FIG. 5

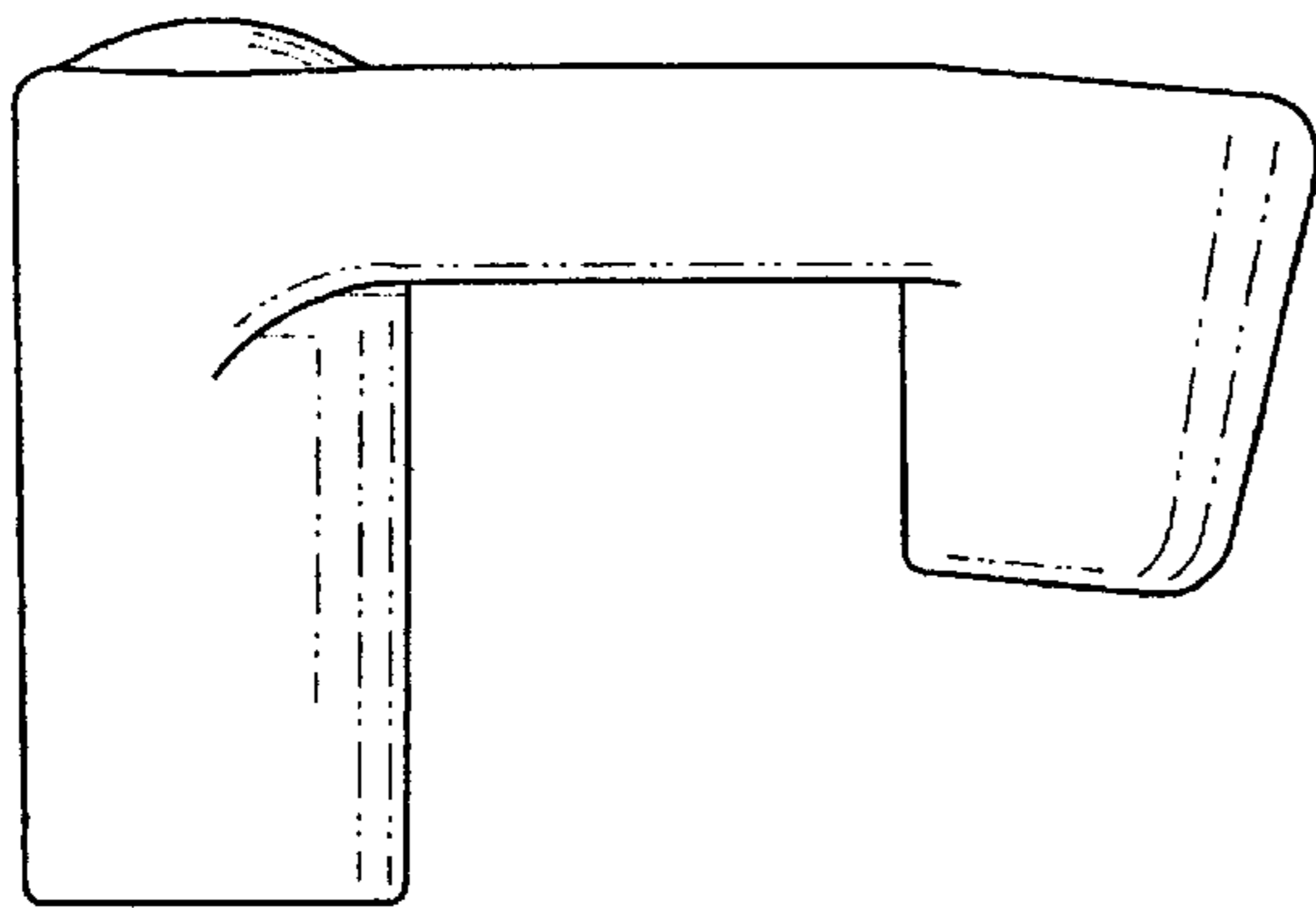


FIG. 6

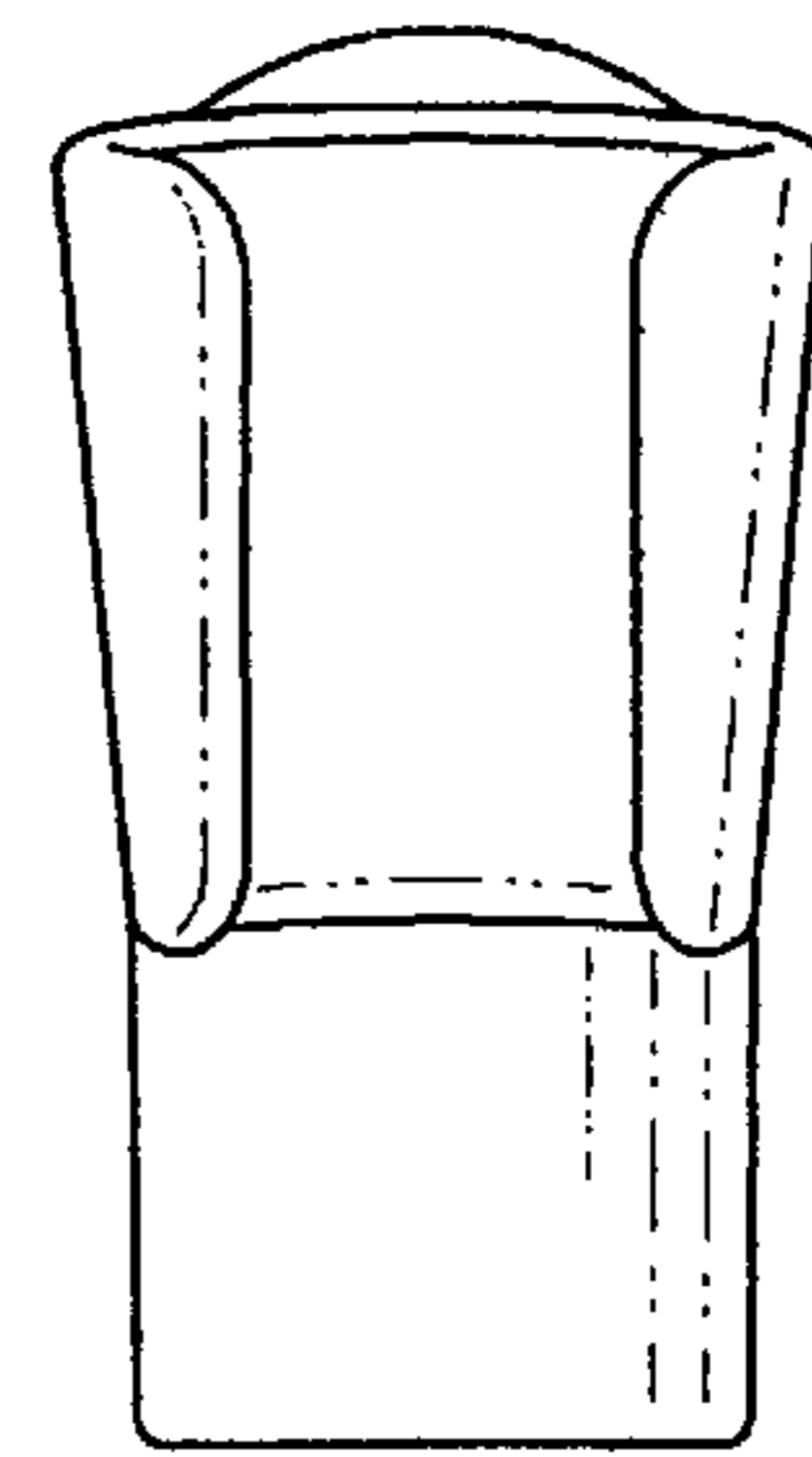


FIG. 7