



US00D489792S

(12) **United States Design Patent**
Chen

(10) **Patent No.:** **US D489,792 S**

(45) **Date of Patent:** **** May 11, 2004**

(54) **WATER PISTOL**

(76) Inventor: **Chin-Yuan Chen**, P.O. Box 453,
Taichung (TW)

(**) Term: **14 Years**

(21) Appl. No.: **29/183,182**

(22) Filed: **Jun. 9, 2003**

(51) **LOC (7) Cl.** **23-01**

(52) **U.S. Cl.** **D23/223; D23/226**

(58) **Field of Search** **D23/213, 223,**
D23/226; 239/525, 526, 527

(56) **References Cited**

U.S. PATENT DOCUMENTS

4,541,568	A	*	9/1985	Lichfield	239/441
4,651,929	A	*	3/1987	Kranzle	239/288
5,176,327	A	*	1/1993	Petersen et al.	239/526
5,525,046	A	*	6/1996	Hartmann	417/300

D383,522 S * 9/1997 Guo D23/226

D422,055 S * 3/2000 Stasny et al. D23/226

D474,529 S * 5/2003 Sodemann et al. D23/226

* cited by examiner

Primary Examiner—Robin V. Taylor

(57) **CLAIM**

I claim the ornamental design for a water pistol, as shown and described.

DESCRIPTION

FIG. 1 is an upper perspective view of the water pistol showing my design;

FIG. 2 is a front view thereof;

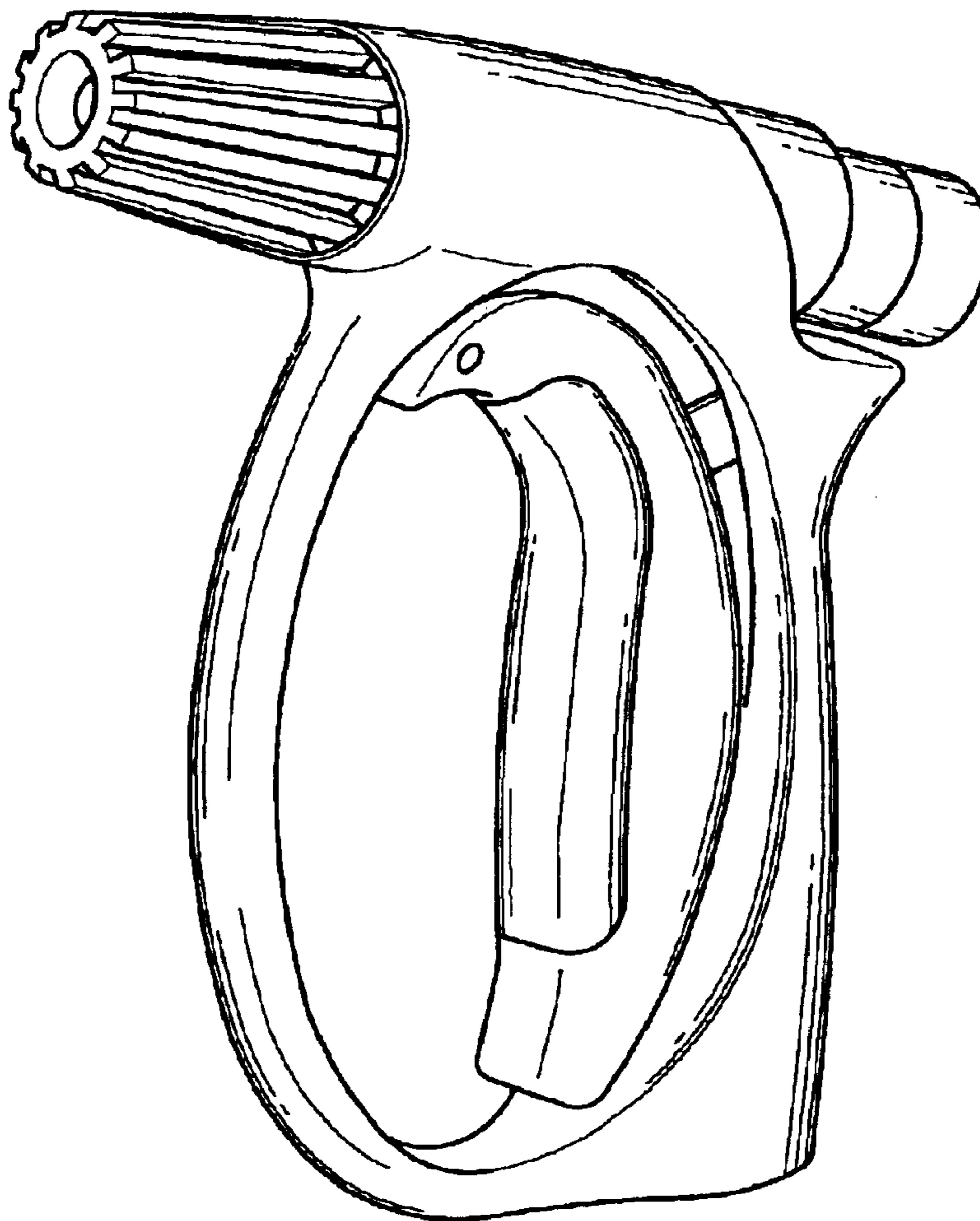
FIG. 3 is a back view thereof;

FIG. 4 is a side view thereof;

FIG. 5 is an opposite side view thereof; and,

FIG. 6 is a top view thereof.

1 Claim, 4 Drawing Sheets



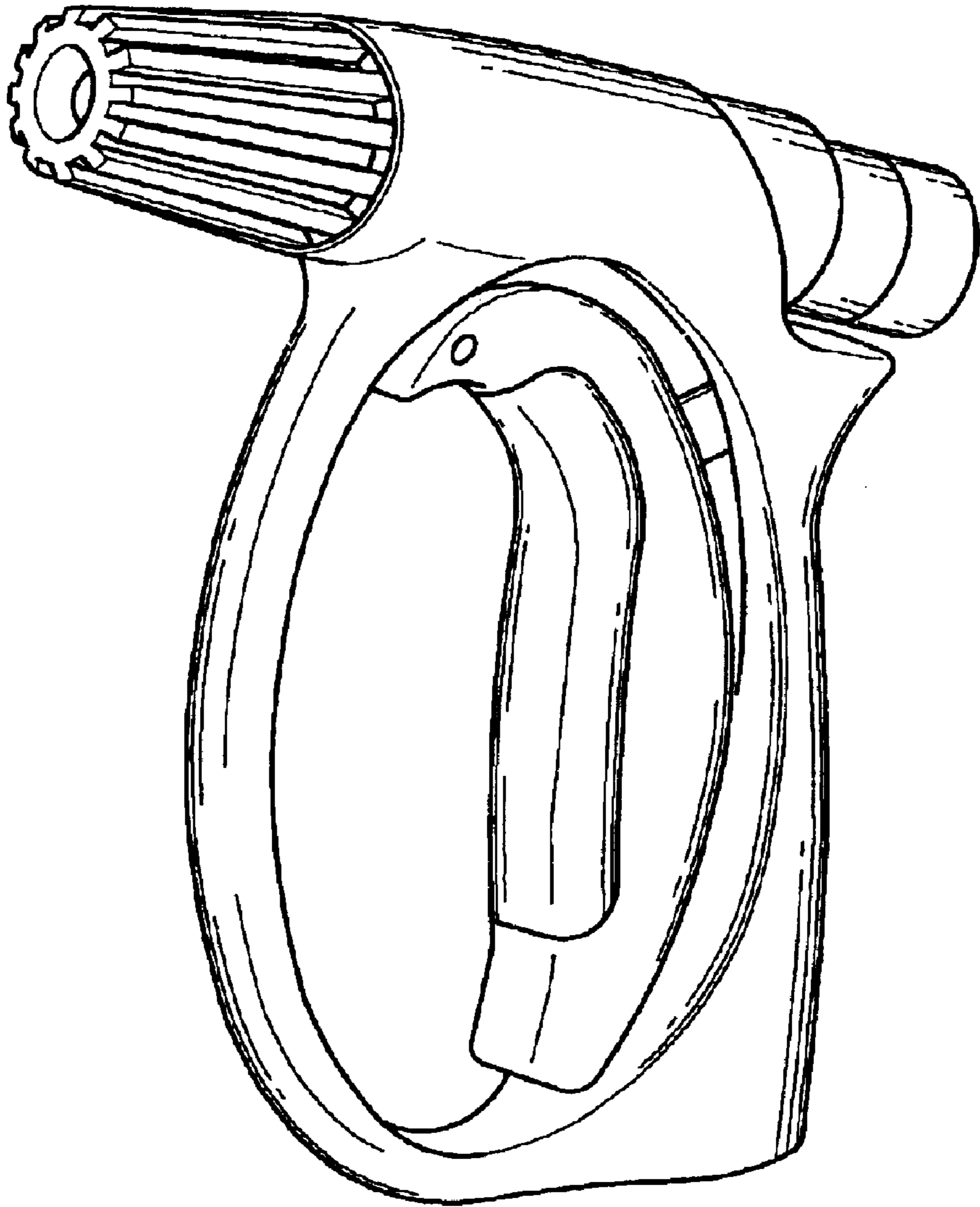


FIG.1



FIG. 2

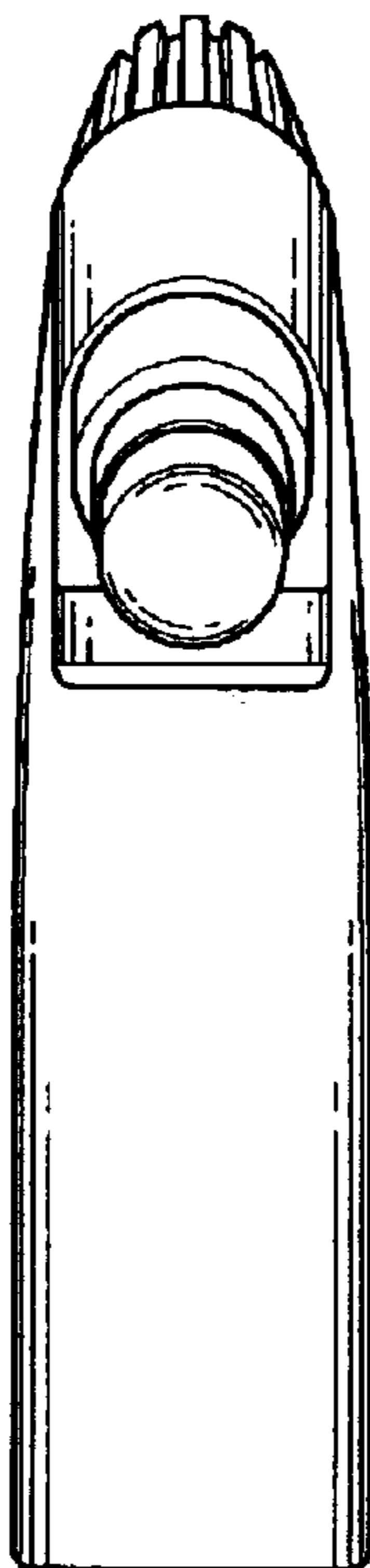


FIG. 3

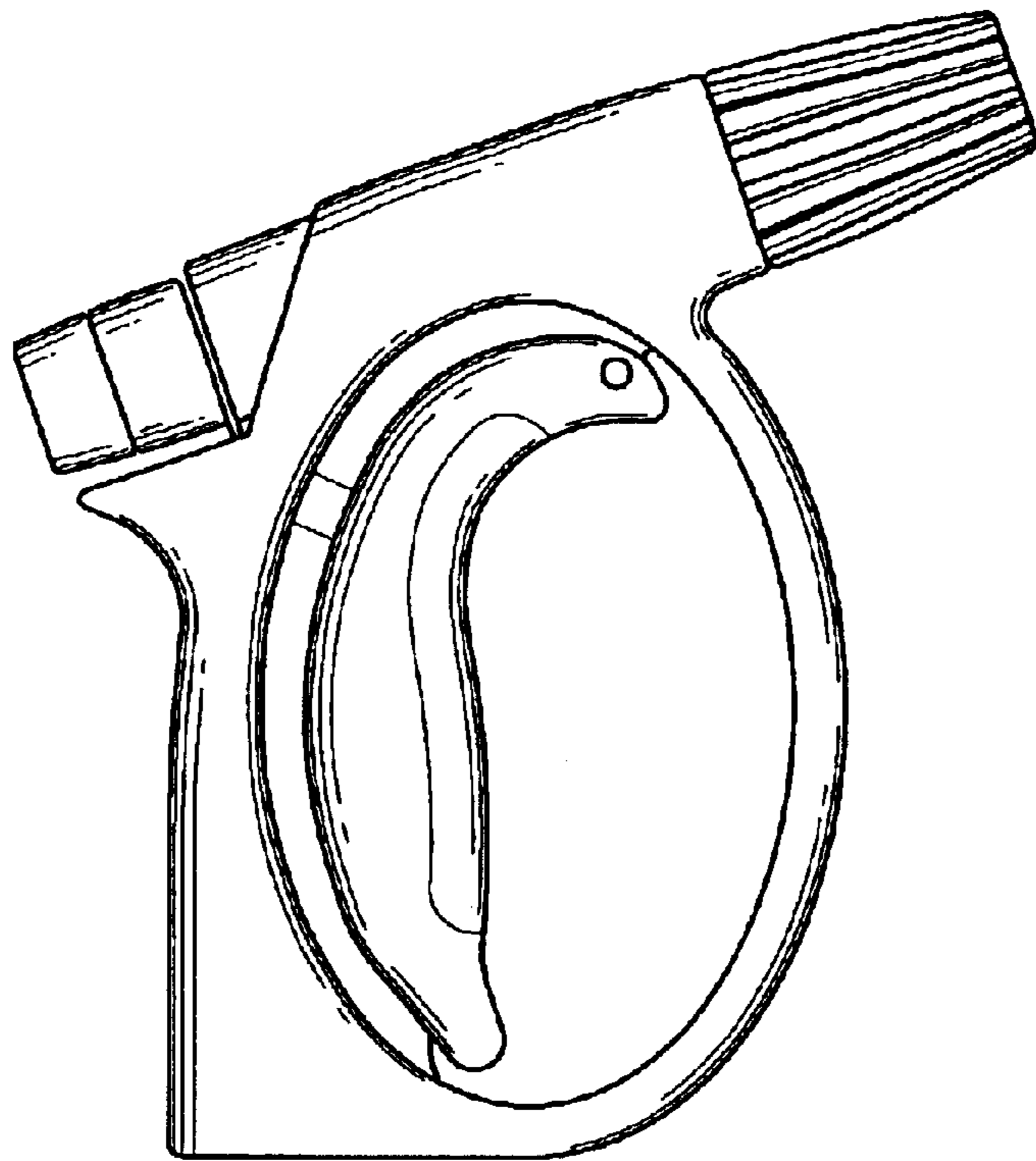


FIG. 4

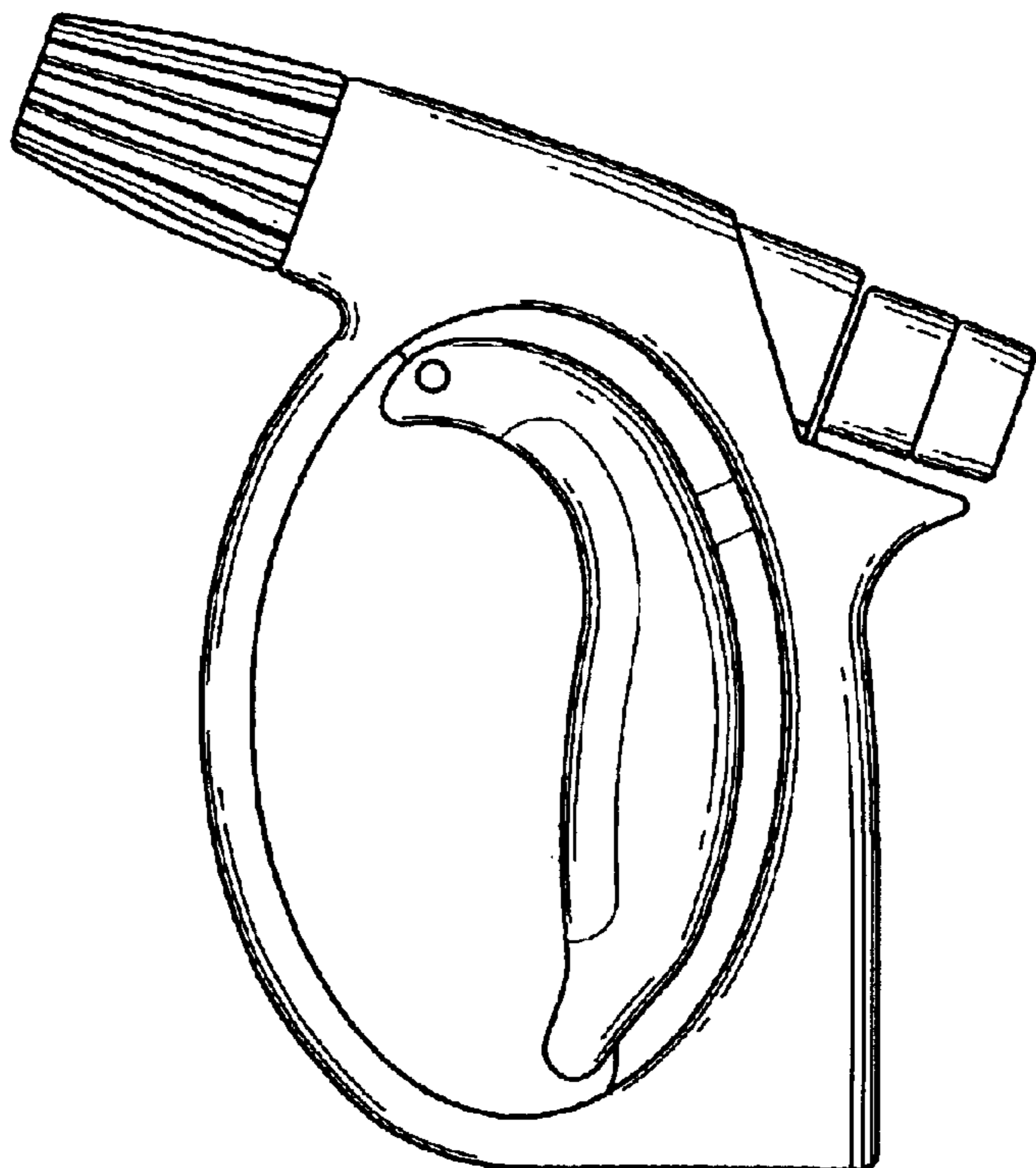


FIG. 5

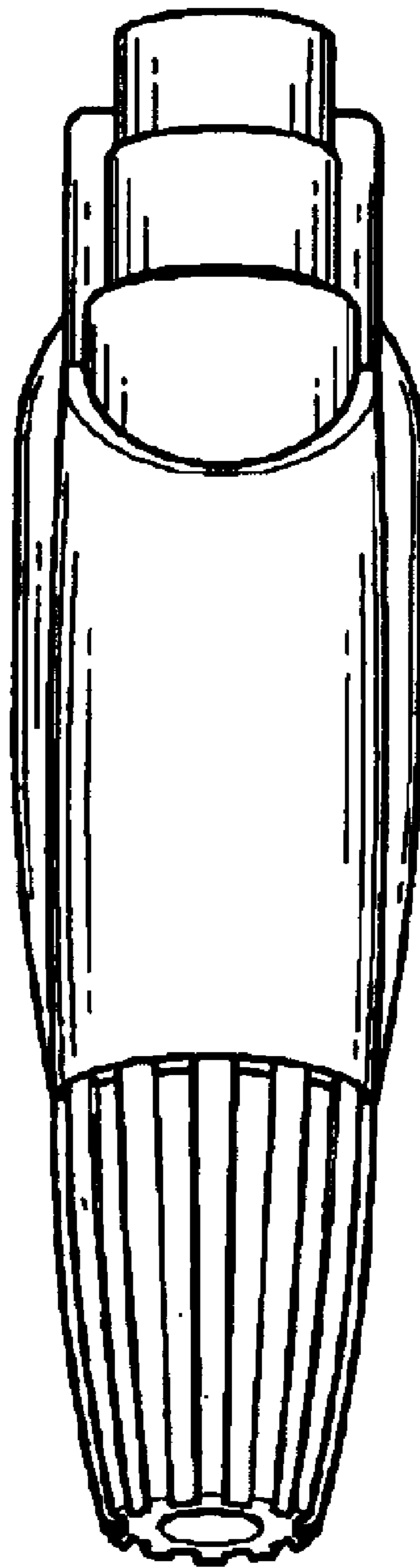


FIG. 6