



US00D489789S

(12) **United States Design Patent**
Helms

(10) **Patent No.:** **US D489,789 S**

(45) **Date of Patent:** **** May 11, 2004**

(54) **FLOATING BAIT NET**

(76) **Inventor:** **Anthony Louis Helms**, 118 Vernon Dr.,
Warner Robins, GA (US) 31093

(**) **Term:** **14 Years**

(21) **Appl. No.:** **29/019,964**

(22) **Filed:** **Mar. 15, 1994**

(51) **LOC (7) Cl.** **22-05**

(52) **U.S. Cl.** **D22/135; 43/7; 43/10**

(58) **Field of Search** **D22/135; 43/7,**
43/10, 11, 12

(56) **References Cited**

U.S. PATENT DOCUMENTS

| | | | | | | |
|-----------|---|---|---------|---------------|-------|-------|
| 803,160 | A | * | 10/1905 | Franklin | | 43/11 |
| 2,706,664 | A | * | 4/1955 | Conrad | | 43/12 |
| 2,791,676 | A | * | 5/1957 | Cote | | 43/11 |
| 3,082,561 | A | * | 3/1963 | Convey et al. | | 43/11 |

| | | | | | | |
|-----------|---|---|---------|---------------|-------|---------|
| 4,050,177 | A | * | 9/1977 | Gerritsen | | 43/12 |
| 4,138,790 | A | * | 2/1979 | Schmucker | | 43/12 |
| 4,139,961 | A | * | 2/1979 | Markos | | 43/12 |
| 4,619,065 | A | * | 10/1986 | Jones | | 43/12 |
| 4,774,783 | A | * | 10/1988 | Willard | | 43/12 |
| 4,815,227 | A | * | 3/1989 | Flanders, Sr. | | 43/11 |
| D319,681 | S | * | 9/1991 | Mengo | | D22/135 |

* cited by examiner

Primary Examiner—Catherine R. Oliver

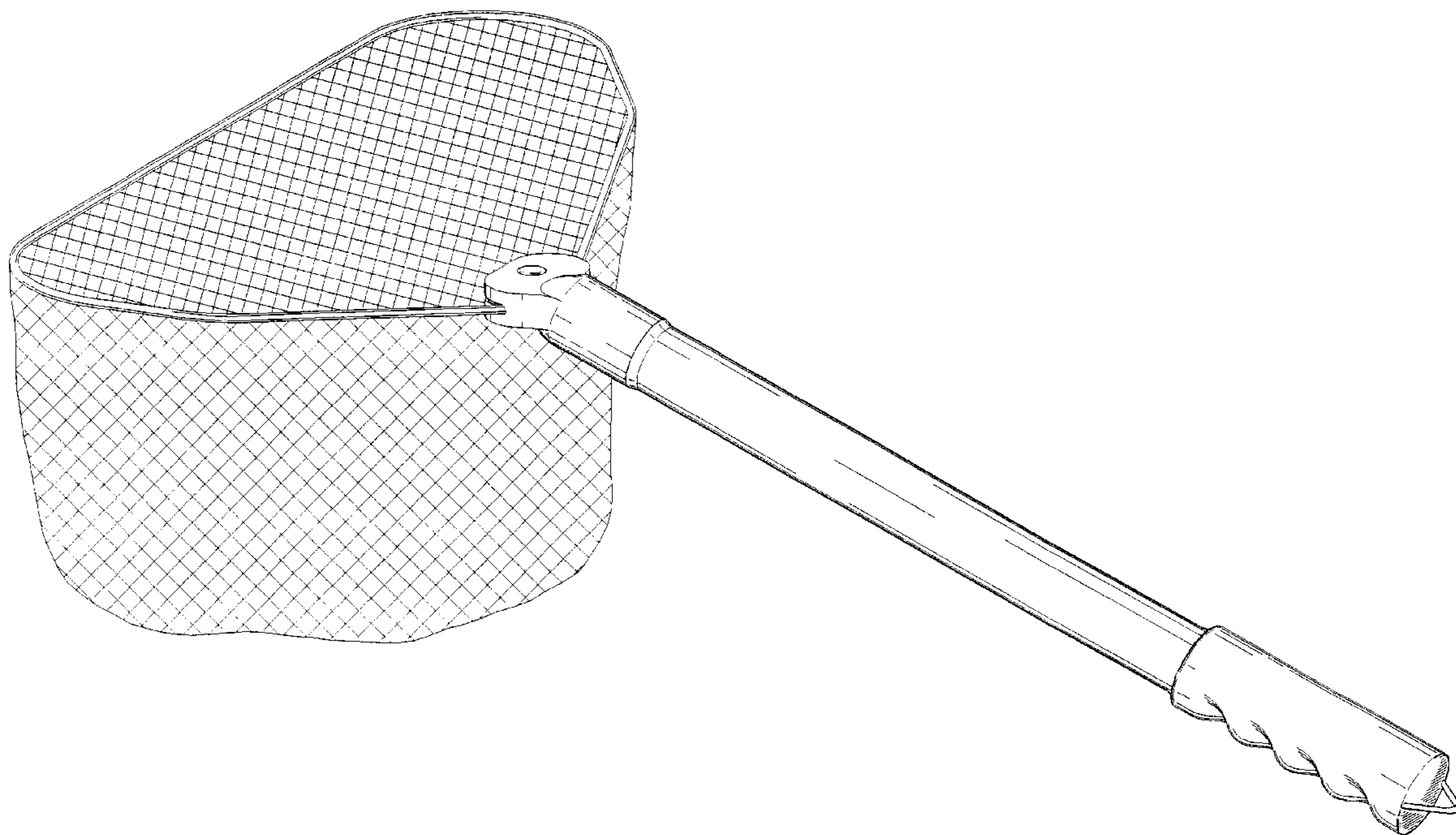
(57) **CLAIM**

The ornamental design for a floating bait net, as shown.

DESCRIPTION

FIG. 1 is an isometric view of a floating bait net showing my new design;
FIG. 2 is a top plan view thereof;
FIG. 3 is a side elevation view thereof; and,
FIG. 4 is a bottom plan view thereof.

1 Claim, 4 Drawing Sheets



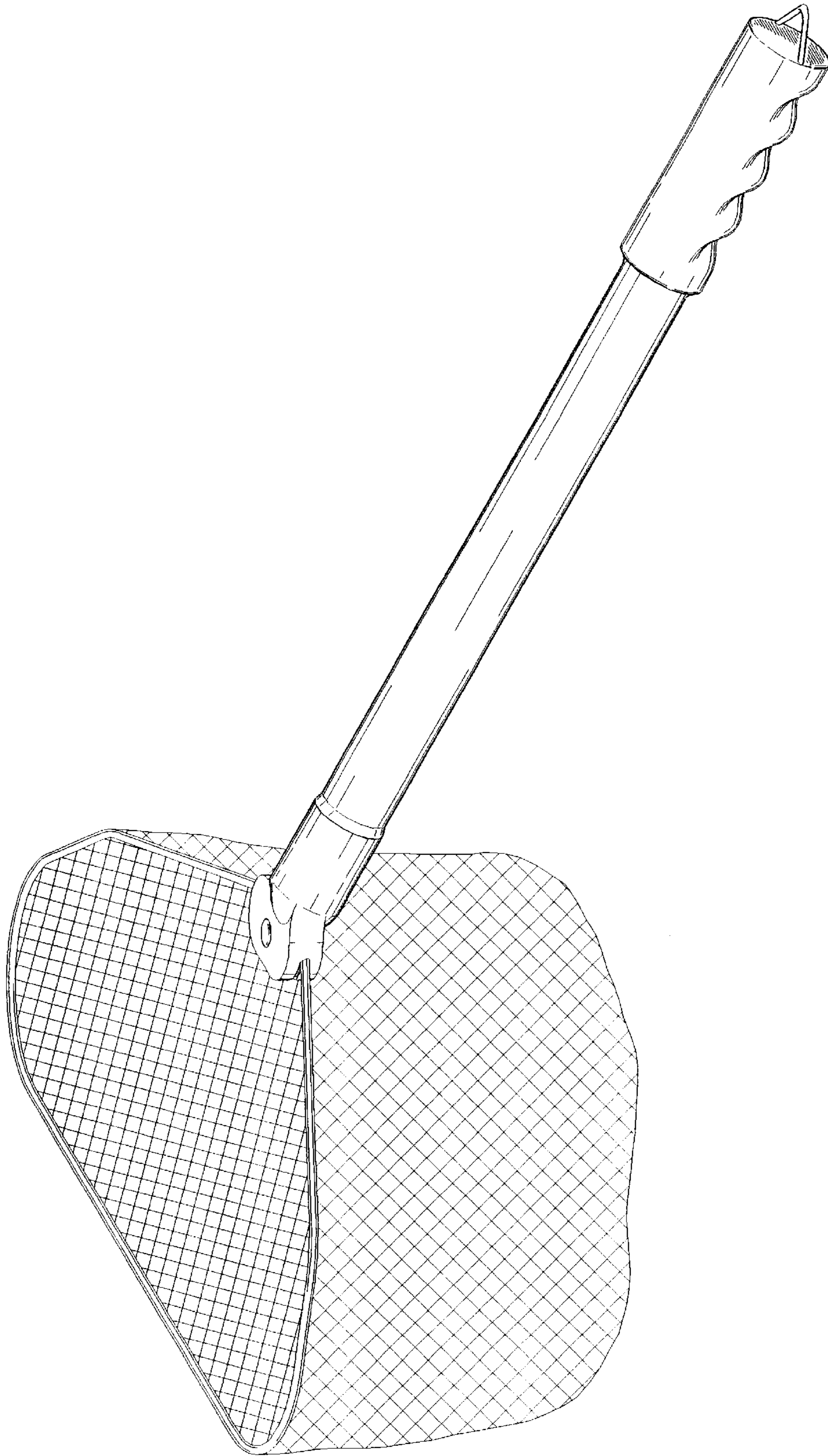


FIGURE 1

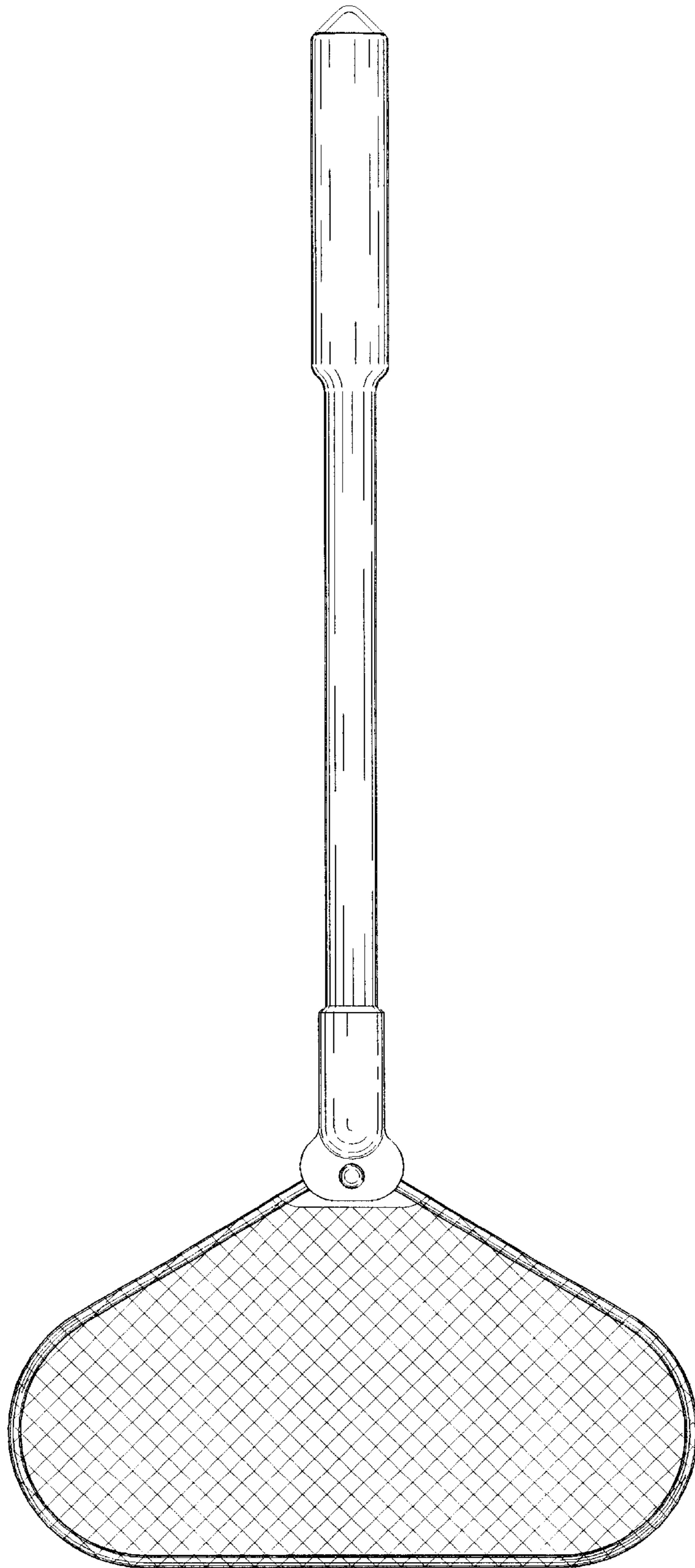


FIGURE 2

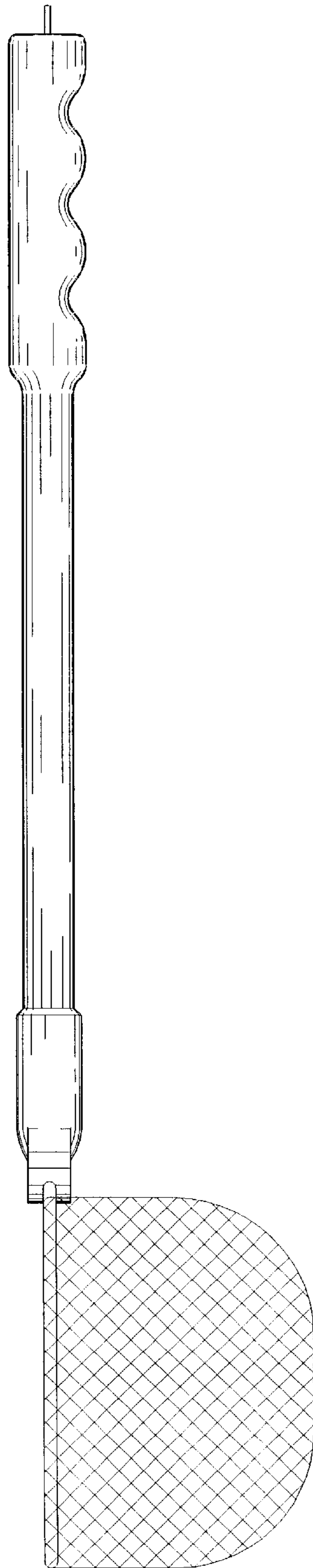


FIGURE 3

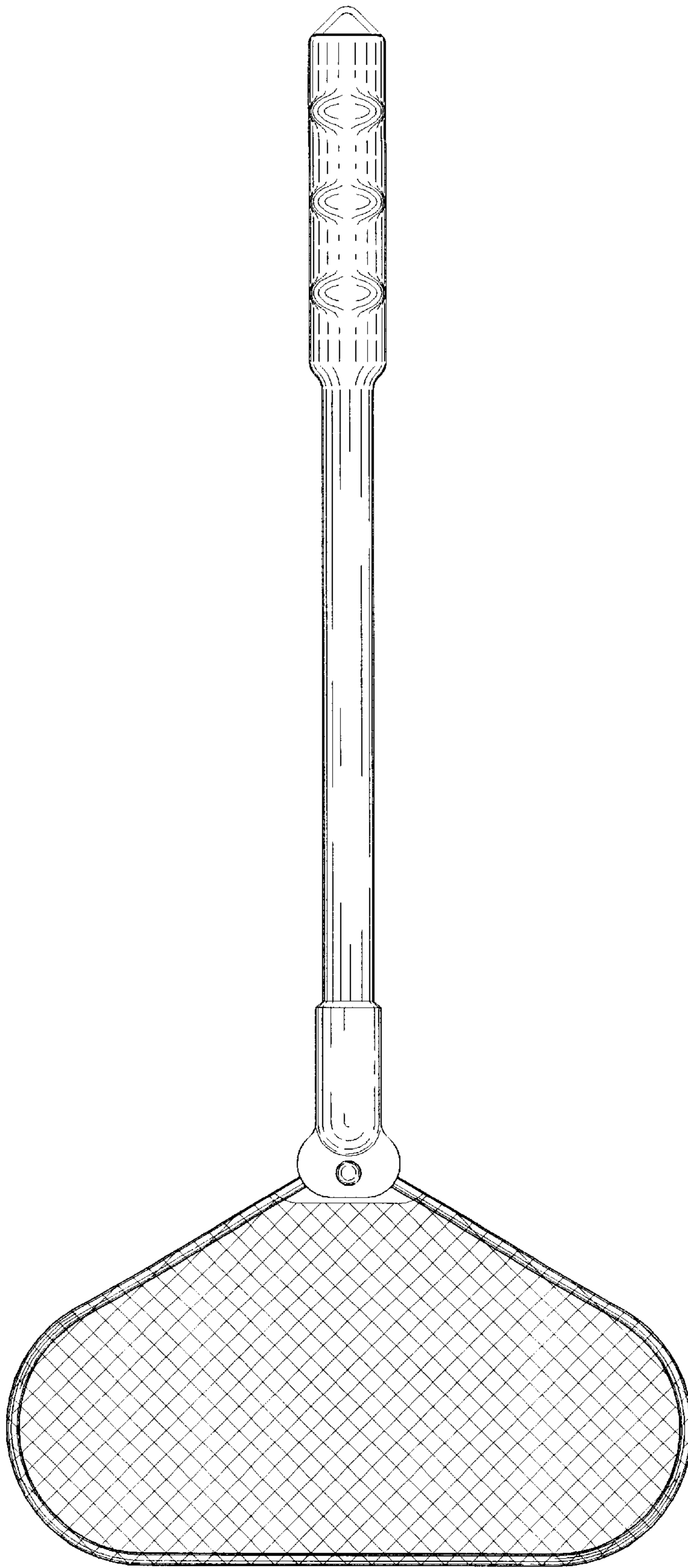


FIGURE 4