



US00D489784S

(12) **United States Design Patent**
Foley

(10) **Patent No.:** **US D489,784 S**

(45) **Date of Patent:** **** May 11, 2004**

(54) **BILLIARD TABLE**

(75) **Inventor:** **Dennis J. Foley**, Holland, MI (US)

(73) **Assignee:** **Brunswick Bowling & Billiards Corporation**, Muskegon, MI (US)

(**) **Term:** **14 Years**

(21) **Appl. No.:** **29/179,592**

(22) **Filed:** **Apr. 11, 2003**

(51) **LOC (7) Cl.** **06-03**

(52) **U.S. Cl.** **D21/784**

(58) **Field of Search** **D21/782, 783, D21/784**

(56) **References Cited**

U.S. PATENT DOCUMENTS

187,878 A	2/1877	Marsden
D43,465 S	1/1913	Maher
1,369,992 A *	3/1921	Turner
D122,580 S	9/1940	Wendt
D148,119 S	12/1947	Anderson et al.
D204,276 S	4/1966	Braun
D205,670 S *	9/1966	Reinman
D208,257 S	8/1967	Kotler
D219,390 S	12/1970	Johnson
D230,491 S	2/1974	Heiss
3,881,727 A *	5/1975	Olson
D259,651 S	6/1981	Kaye
D319,279 S	8/1991	Kaye

D319,484 S	*	8/1991	Hull et al.
5,161,797 A		11/1992	Frasca
D348,916 S		7/1994	Powers
5,341,749 A	*	8/1994	Noakes
D450,103 S	*	11/2001	Chevillotte

OTHER PUBLICATIONS

Monarch Billiards–Silverwood Table, Date Unknown.*
Monarch Billiards, “Silverwood Contemporary Design”,
www.monarchbilliards.com, Publication Date Unknown, 1
page, Monarch Billiards, Crumlyne, PA.

* cited by examiner

Primary Examiner—Prabhakar Deshmukh

(74) *Attorney, Agent, or Firm*—Dykema Gossett PLLC

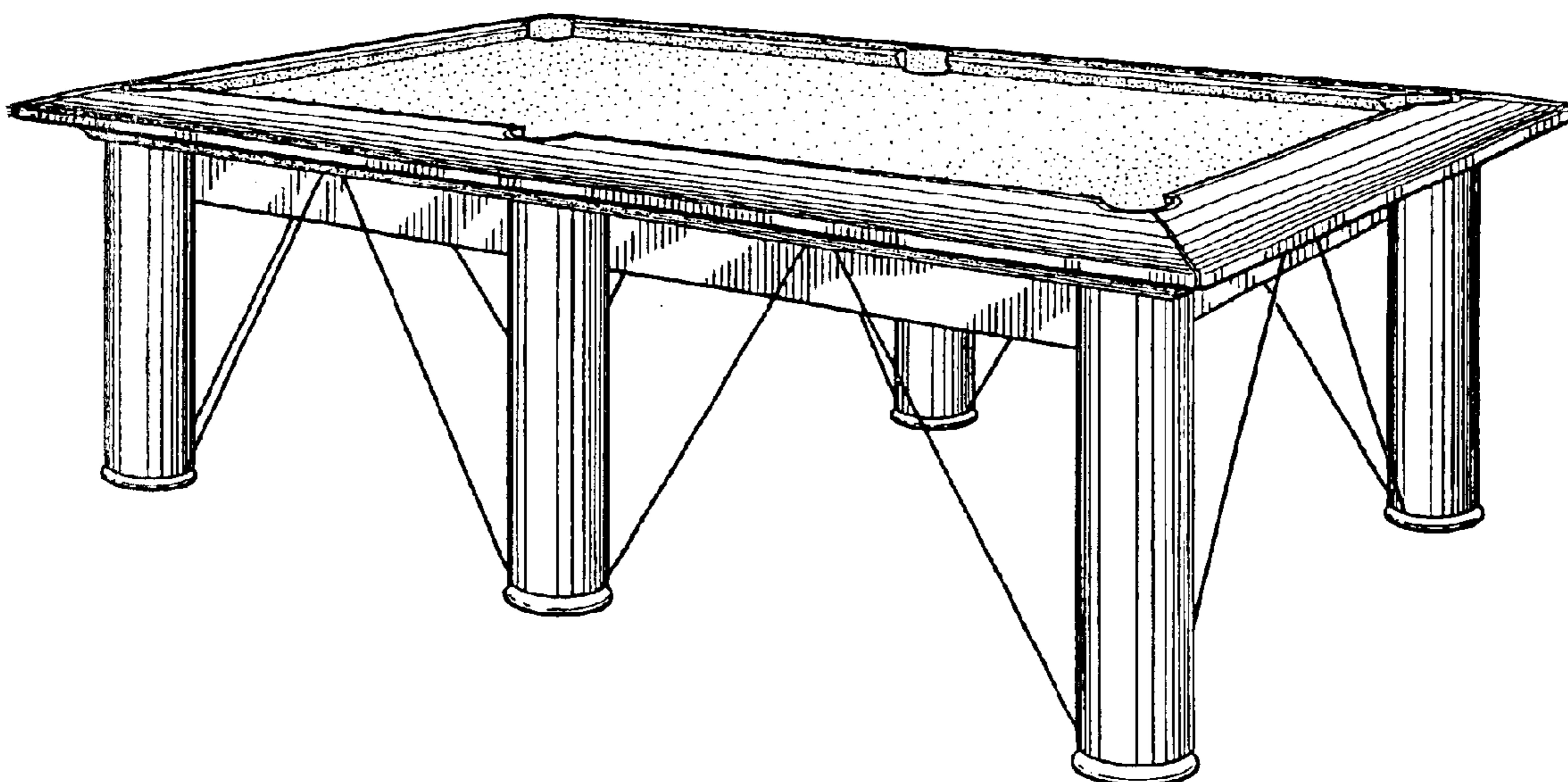
(57) **CLAIM**

The ornamental design for a billiard table, as shown and described.

DESCRIPTION

FIG. 1 is a perspective view of a billiard table, showing my new design;
FIG. 2 is a right-hand side elevational view, wherein the left-hand side elevational view is substantially identical;
FIG. 3 is an end elevational view, wherein the opposite end elevational view is substantially identical;
FIG. 4 is a top plan view; and,
FIG. 5 is a bottom plan view thereof.

1 Claim, 4 Drawing Sheets



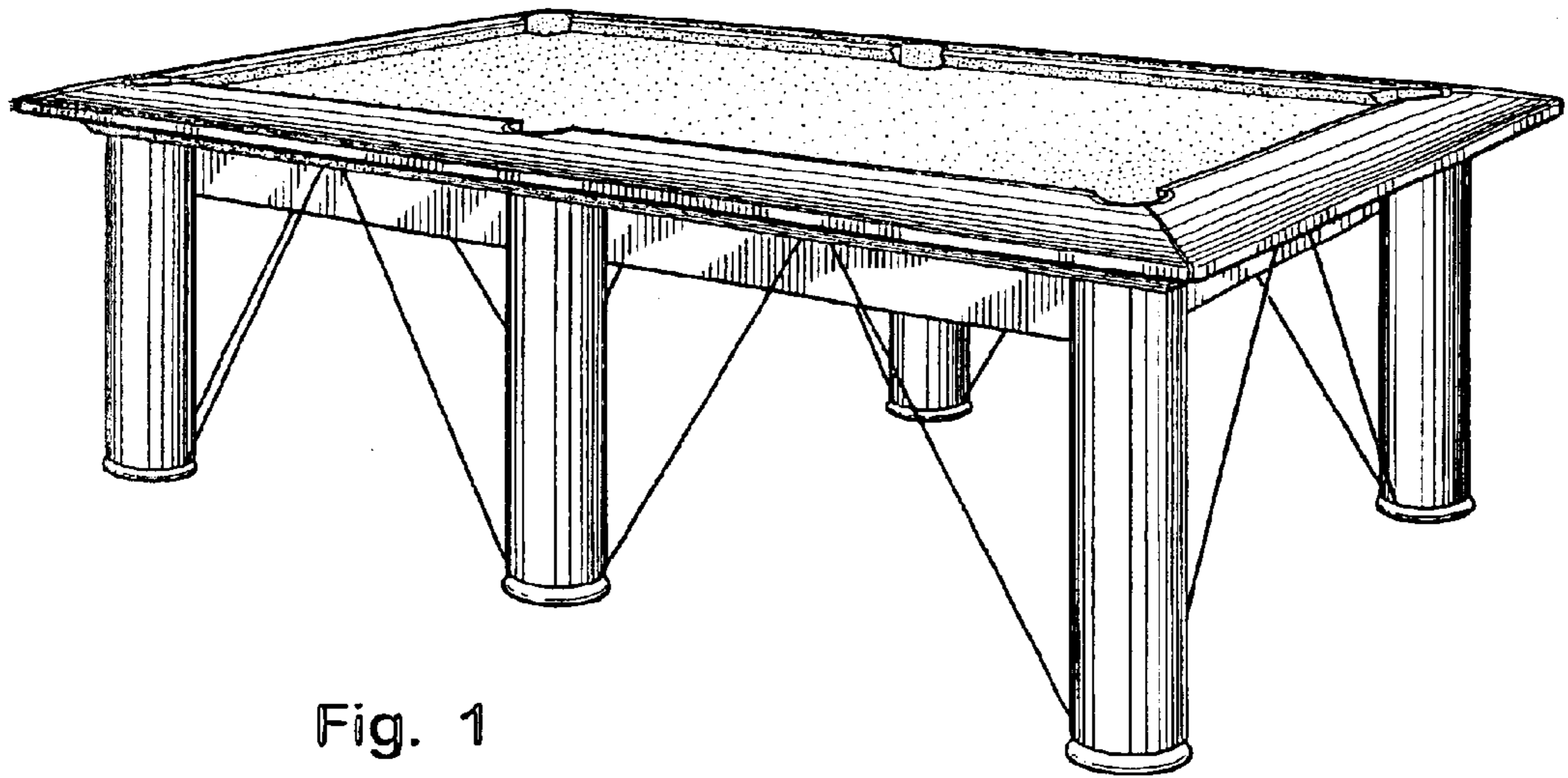


Fig. 1

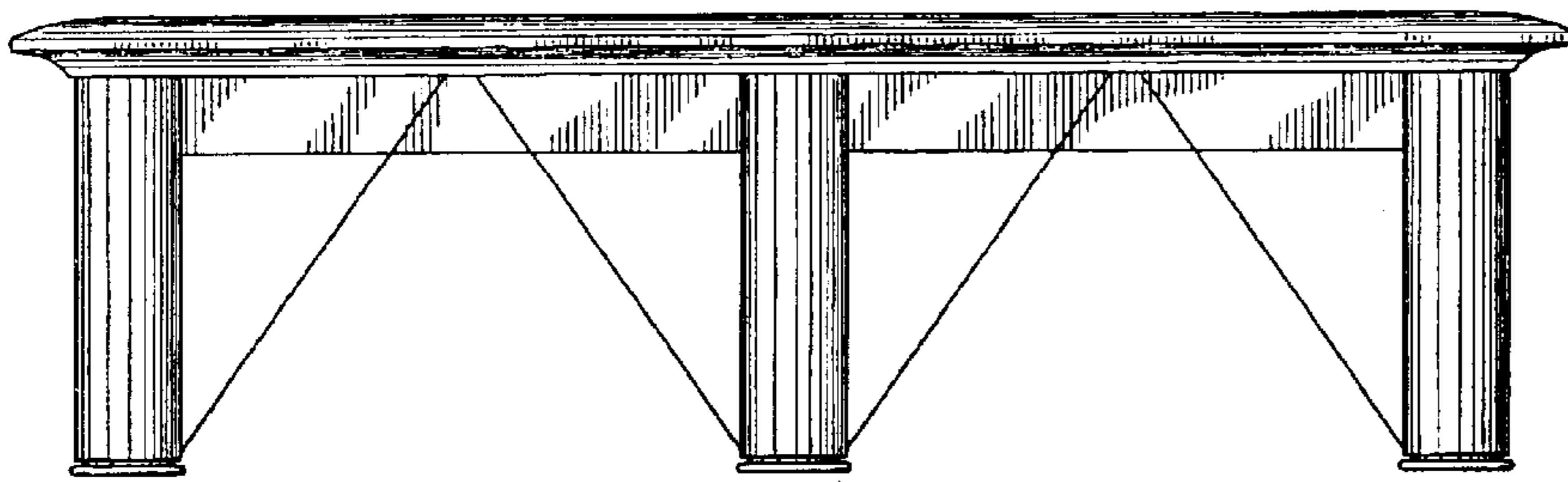


Fig. 2

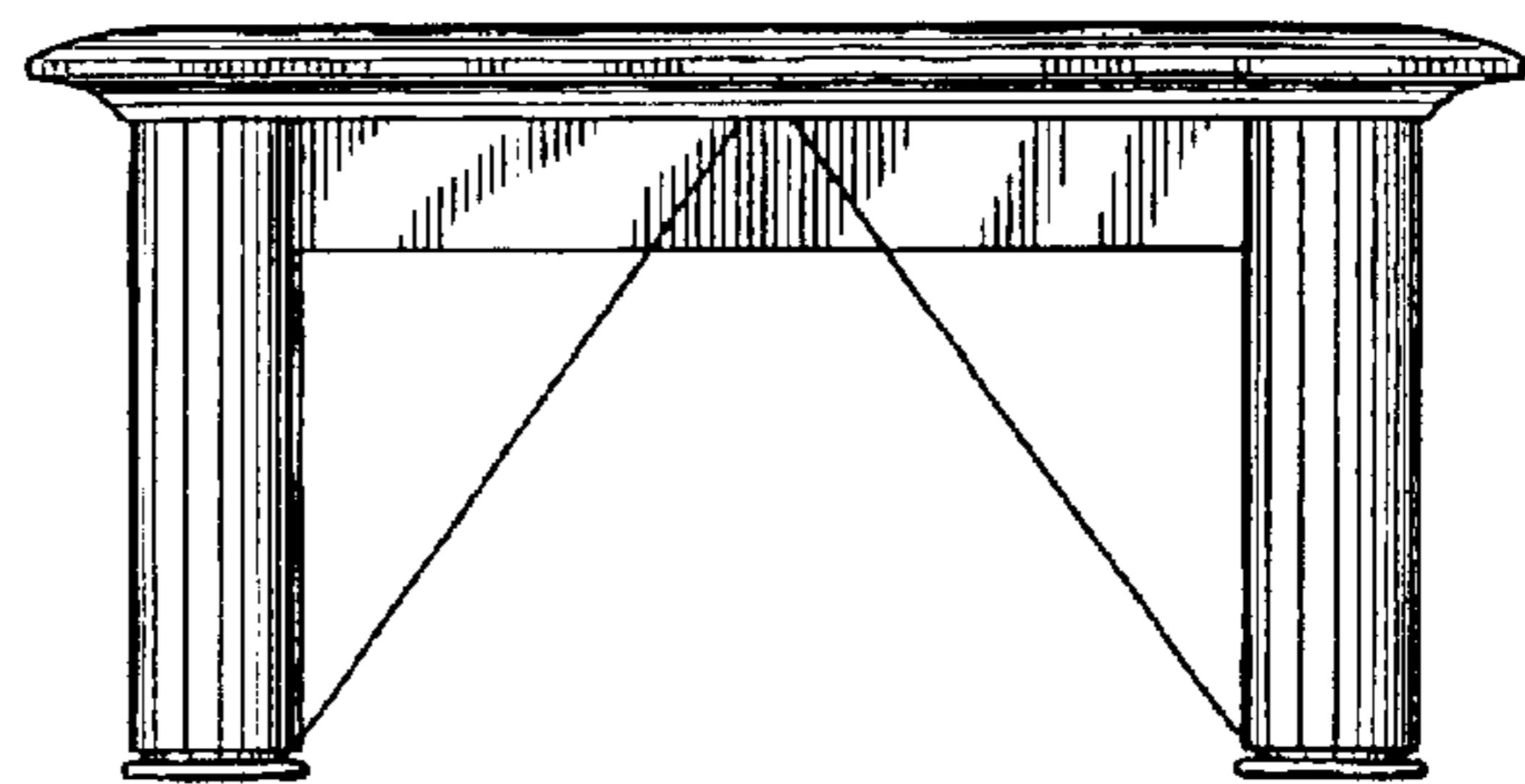


Fig. 3

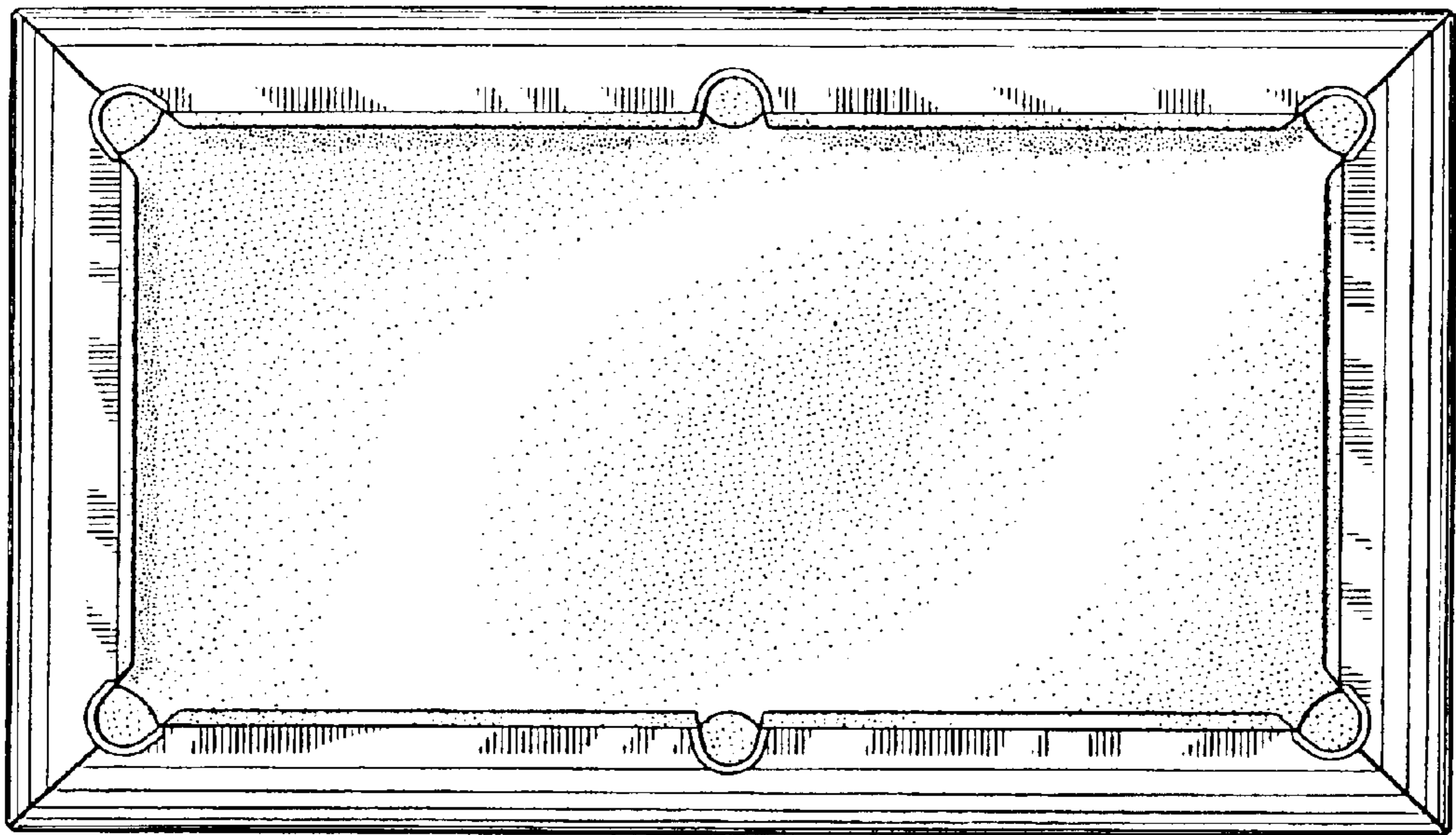


Fig. 4

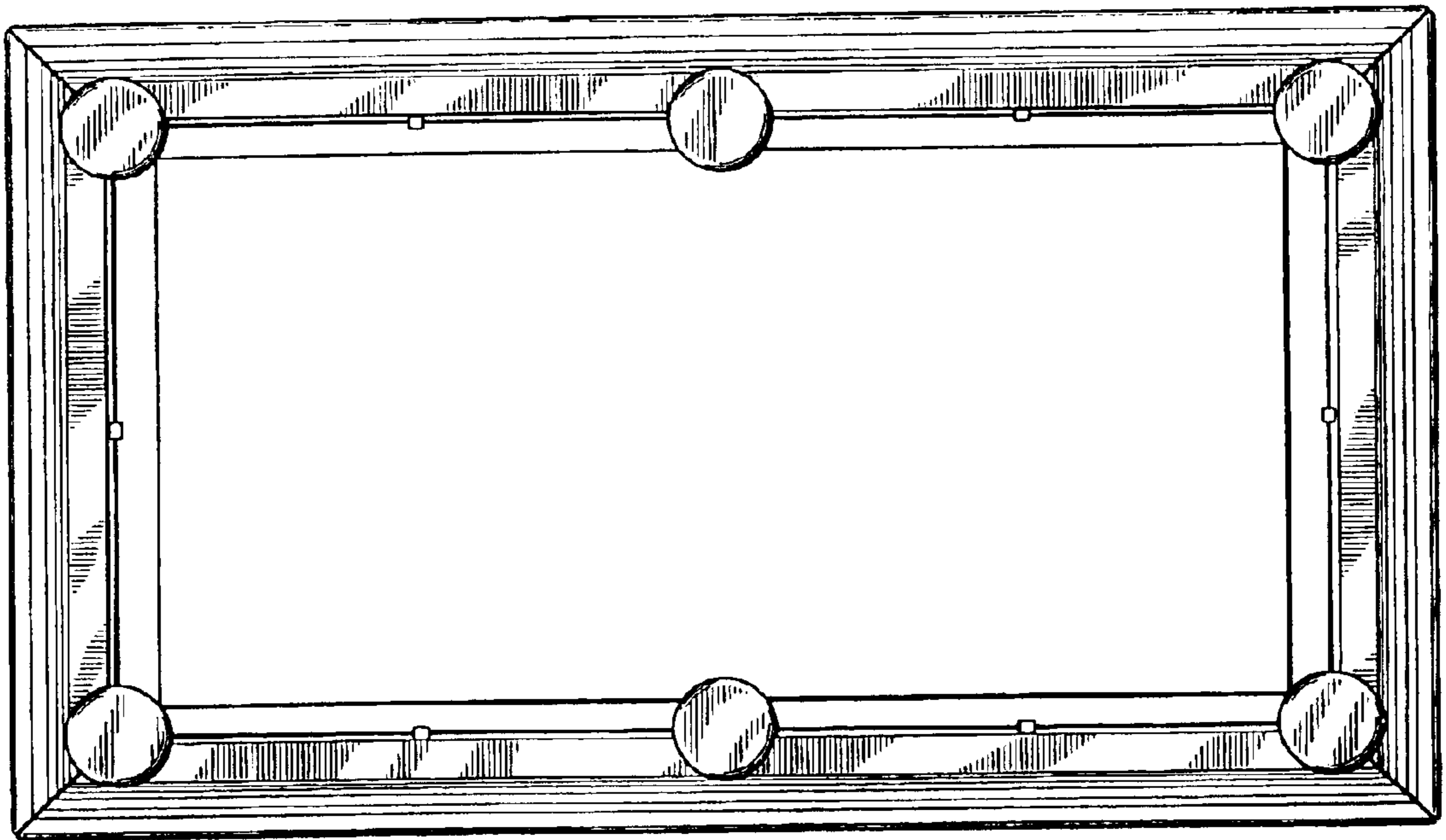


Fig. 5.