



US00D489781S

(12) **United States Design Patent** (10) **Patent No.:** **US D489,781 S**  
**Lane** (45) **Date of Patent:** **\*\* May 11, 2004**

(54) **GOLF PUTTER**

(76) Inventor: **Daniel P. Lane**, 1018 Folsom, Bloomington, IL (US) 61701

(\*\*) Term: **14 Years**

(21) Appl. No.: **29/168,323**

(22) Filed: **Sep. 30, 2002**

(51) **LOC (7) Cl.** ..... **21-02**

(52) **U.S. Cl.** ..... **D21/743; D21/756**

(58) **Field of Search** ..... **D21/736-746, D21/756, 757; 473/324, 327-331, 340, 341, 251-256, 300-303**

(56) **References Cited**

**U.S. PATENT DOCUMENTS**

D239,401	S	*	3/1976	Kindred	.....	D21/741
5,209,474	A		5/1993	Voyer		
5,377,987	A		1/1995	Irvin, Jr.		
D374,470	S	*	10/1996	Steele	.....	D21/745
D430,632	S	*	9/2000	Guerin et al.	.....	D21/744
D449,865	S	*	10/2001	Fife et al.	.....	D21/736
6,371,864	B1		4/2002	Norwood		
D472,949	S	*	4/2003	Serrano	.....	D21/736

**OTHER PUBLICATIONS**

U.S. patent application entitled "Golf Putter and Method for Using the Same"; Filing Date: Sep. 30, 2002; Inventor: Daniel P. Lane; Application No. Unknown.

\* cited by examiner

*Primary Examiner*—Mitchell Siegel

(74) *Attorney, Agent, or Firm*—Husch & Eppenberger, LLC; Robert E. Muir; David A. Chambers

(57) **CLAIM**

The ornamental design for a golf putter, substantially as shown and described.

**DESCRIPTION**

FIG. 1 is a front view of a golf putter showing my new design;

FIG. 2 is a top view on a larger scale than FIG. 1 with the putter head being at the bottom of the figure;

FIG. 3 is a bottom view thereof;

FIG. 4 is a perspective view showing the top and rear sides thereof; and,

FIG. 5 is a rear view of the putter head showing only a portion of the shaft.

**1 Claim, 5 Drawing Sheets**

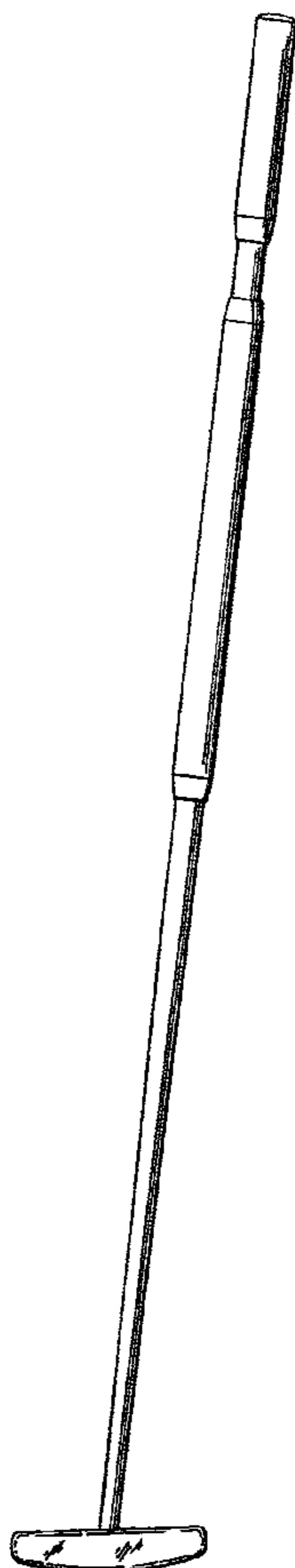
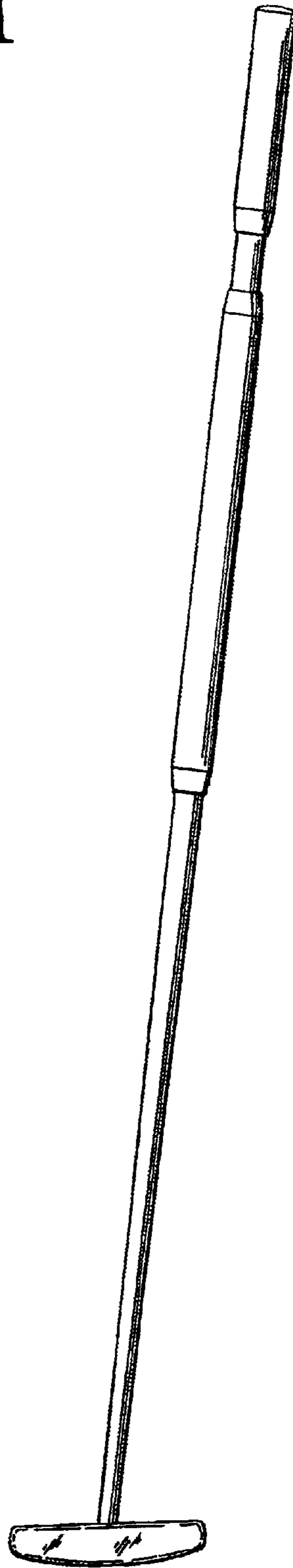
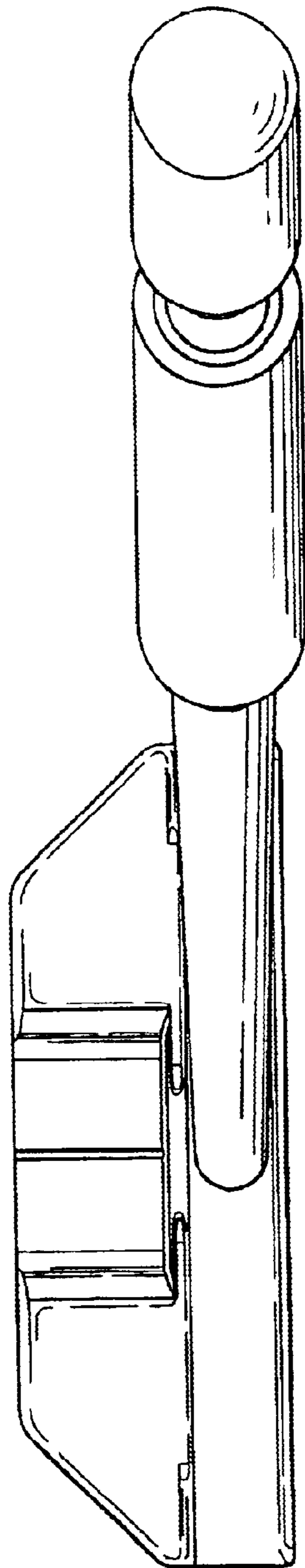


Fig. 1



# Fig. 2



# Fig.3

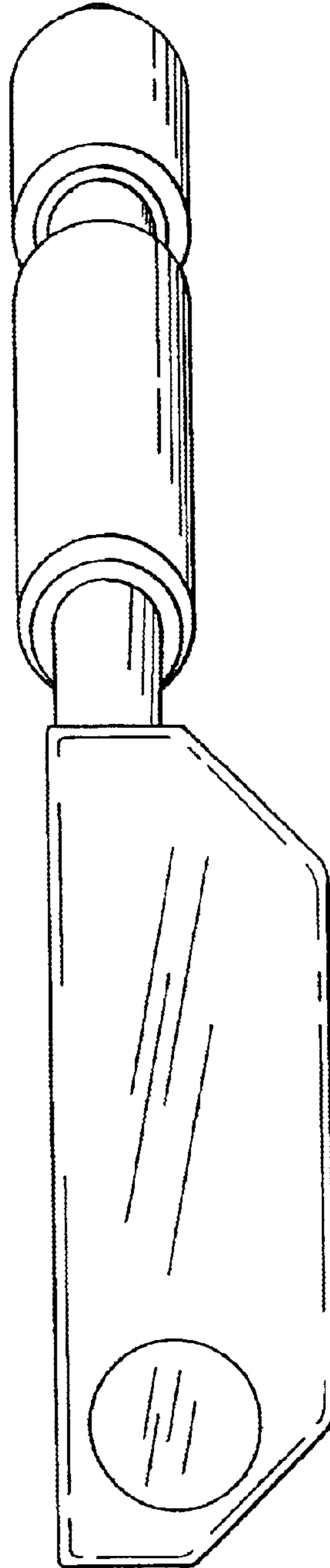


Fig. 4

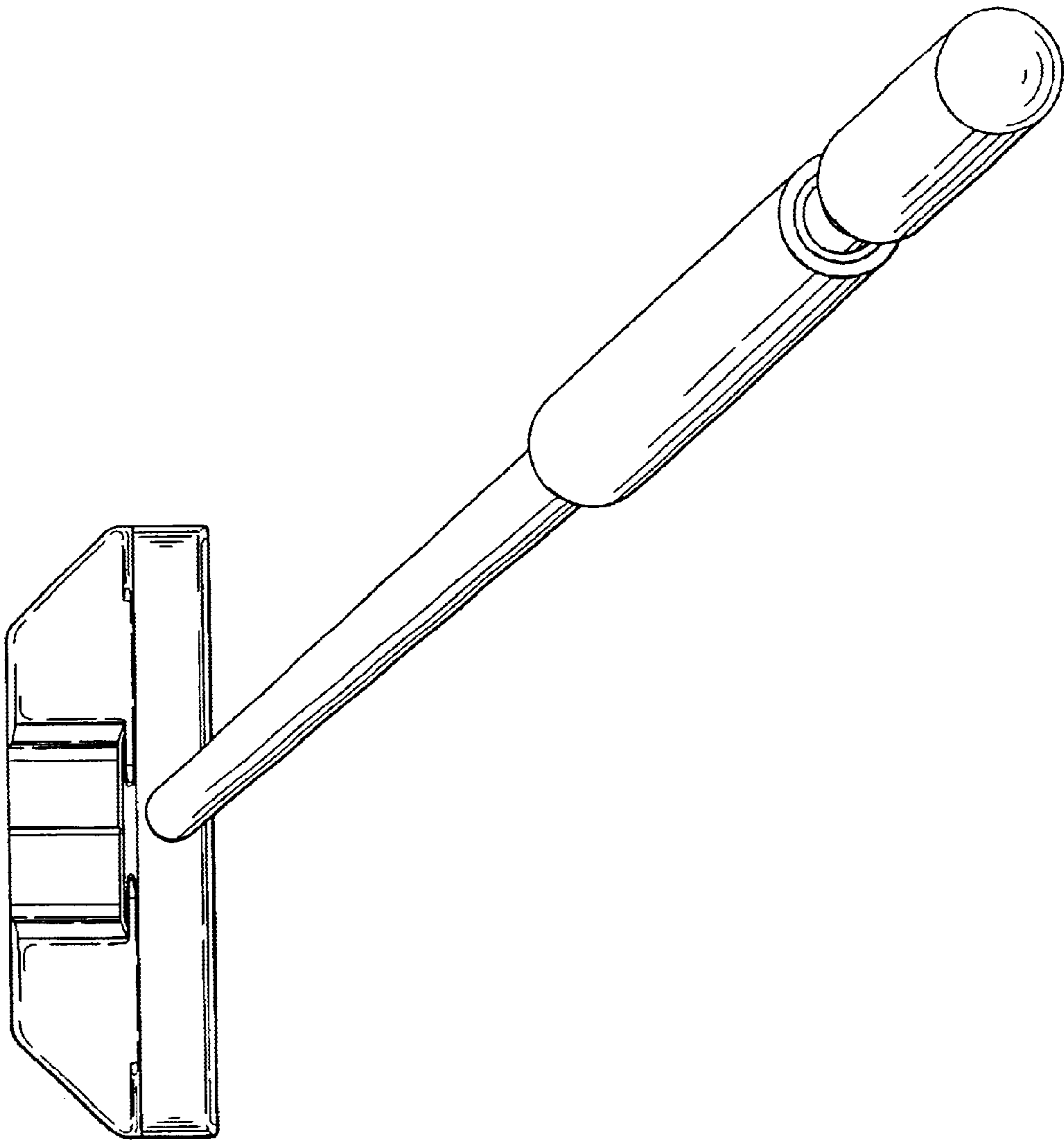


Fig. 5

