



US00D489780S

(12) **United States Design Patent**
Sloboda

(10) **Patent No.:** **US D489,780 S**

(45) **Date of Patent:** **** May 11, 2004**

(54) **GOLF PUTTER HEAD**

(76) **Inventor:** **Stephen M. Sloboda**, 23579 Emmons Rd., Columbia Station, OH (US) 44028

(**) **Term:** **14 Years**

(21) **Appl. No.:** **29/181,341**

(22) **Filed:** **May 9, 2003**

(51) **LOC (7) Cl.** **21-02**

(52) **U.S. Cl.** **D21/738**

(58) **Field of Search** D21/736-746;
473/324-330, 340, 341, 251-256, 248

(56) **References Cited**

U.S. PATENT DOCUMENTS

D187,658 S	*	4/1960	Holdstein	D21/728
4,881,737 A	*	11/1989	Mullins	473/248
5,433,441 A	*	7/1995	Olsen et al.	473/328
D368,292 S	*	3/1996	Willoughby	D21/738
D391,329 S	*	2/1998	English	D21/742

D444,524 S * 7/2001 Reeves, Jr. D21/738

* cited by examiner

Primary Examiner—Mitchell Siegel

(74) *Attorney, Agent, or Firm*—James A. Hudak

(57) **CLAIM**

I claim the ornamental design for a golf putter head, as shown and described.

DESCRIPTION

FIG. 1 is a perspective view of a golf putter head, showing my new design;

FIG. 2 is a top plan view thereof;

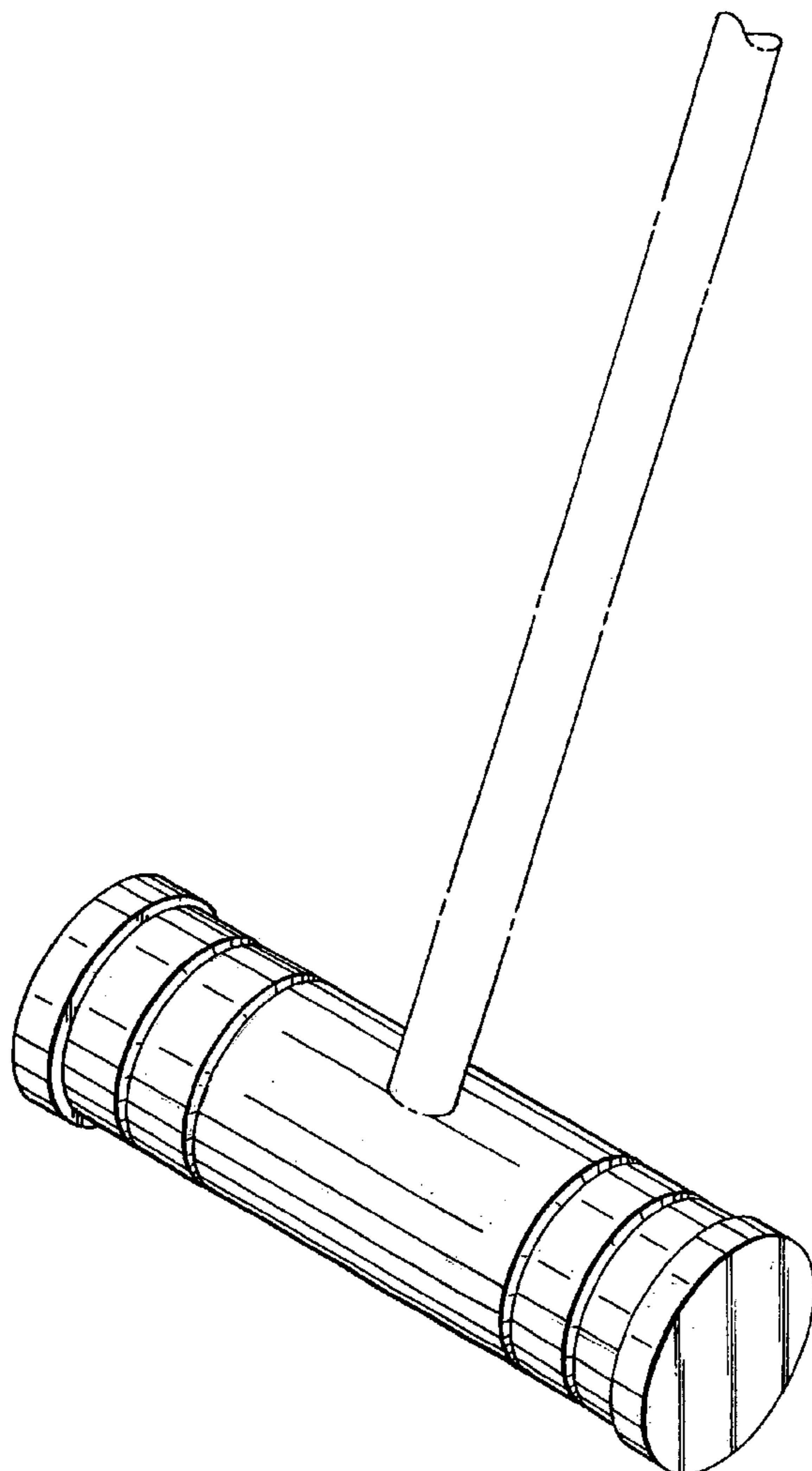
FIG. 3 is a front elevational view thereof, the rear elevational view being identical to the Figure;

FIG. 4 is a bottom plan elevational view thereof; and,

FIG. 5 is a right side elevational view thereof, the left end elevational view being identical to this Figure.

The broken line illustration in FIG. 1 represents the golf putter shaft and is not part of the design sought to be patented.

1 Claim, 2 Drawing Sheets



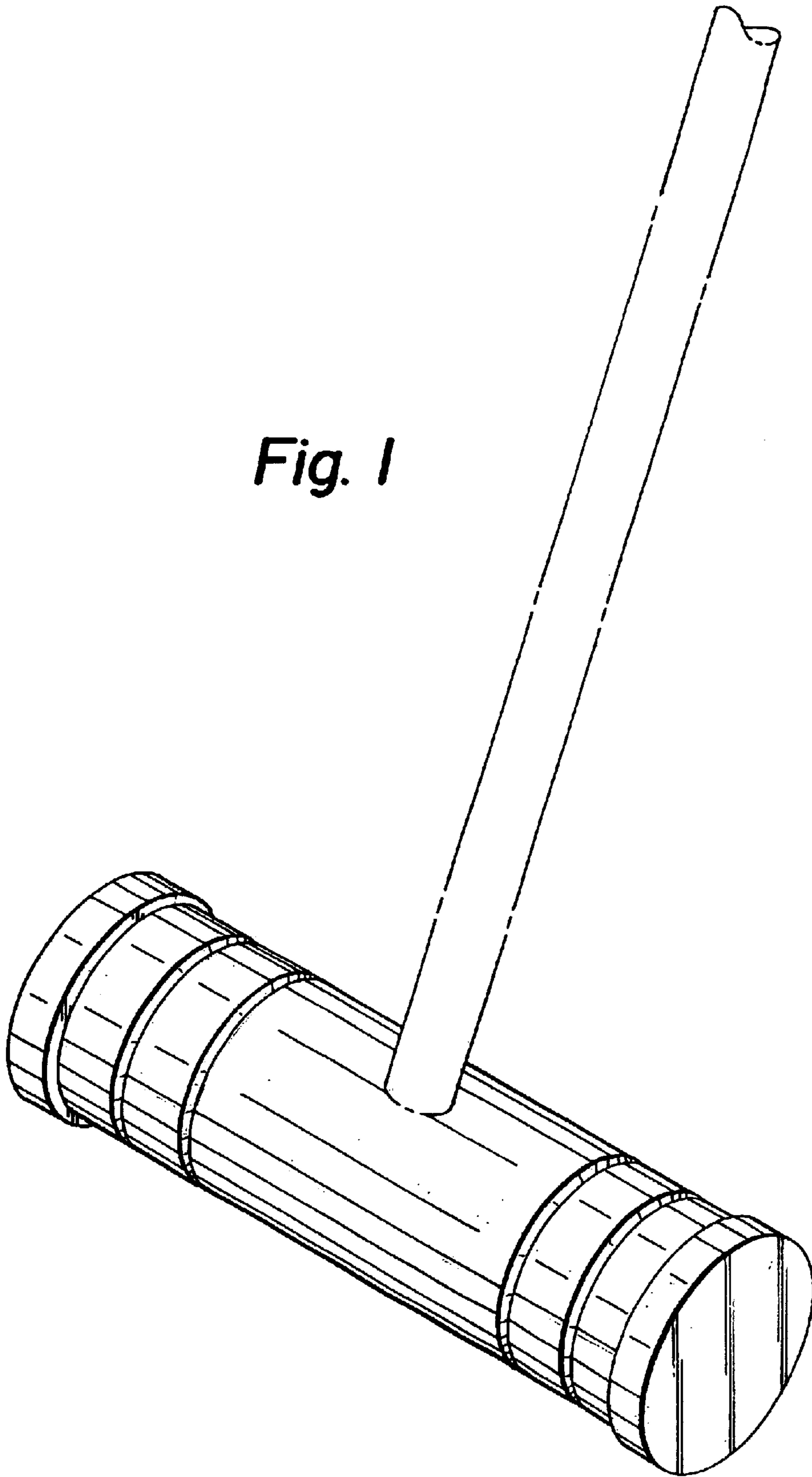


Fig. 1

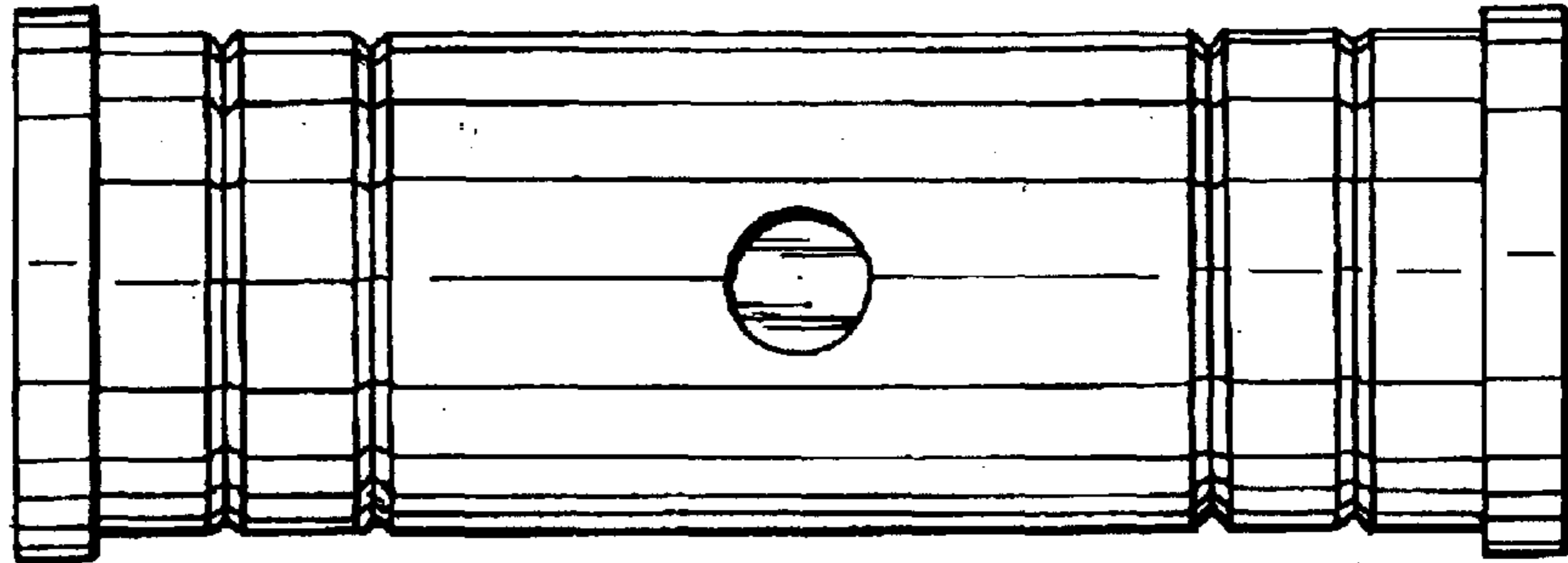


Fig. 2

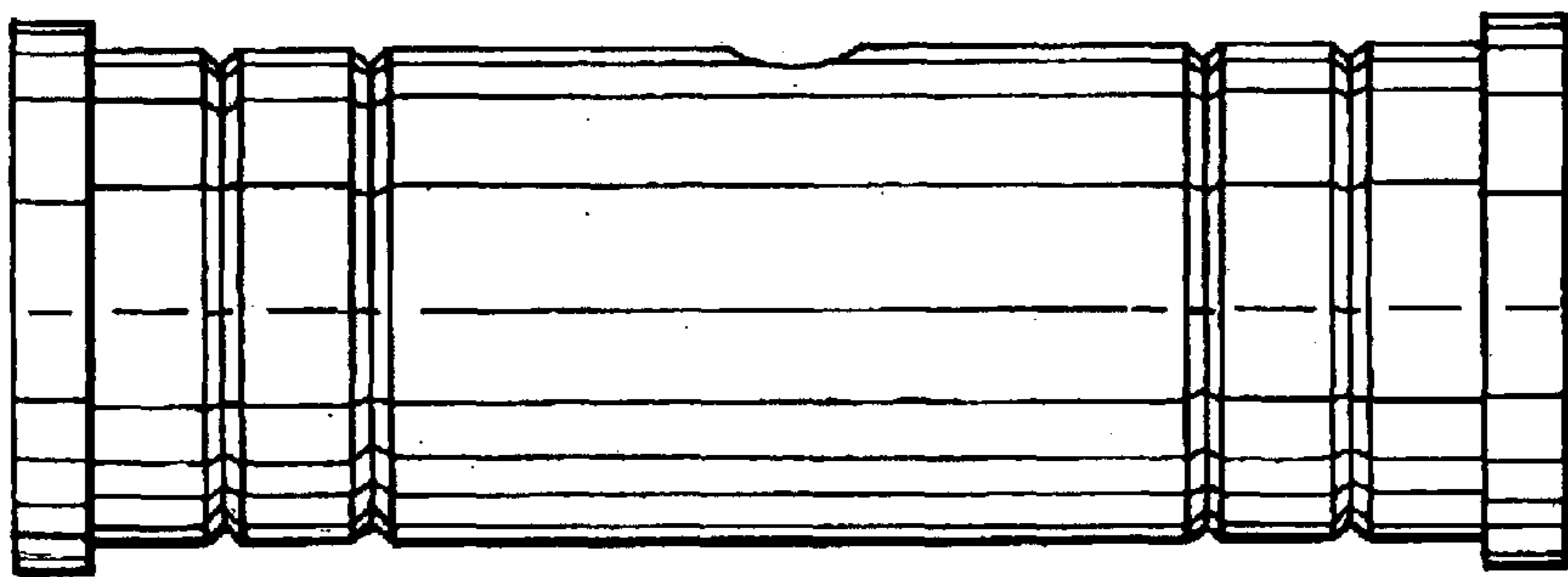


Fig. 3

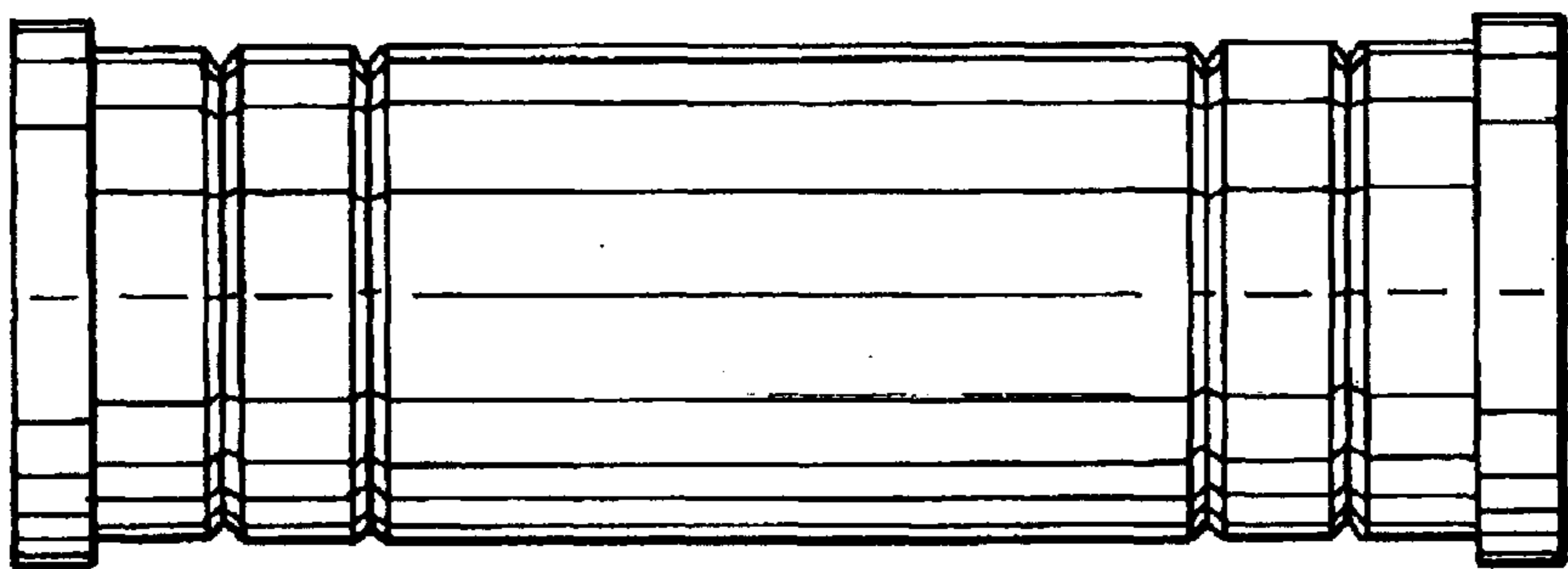


Fig. 4

Fig. 5

