



US00D489778S

(12) **United States Design Patent**
Fan et al.

(10) **Patent No.:** **US D489,778 S**

(45) **Date of Patent:** **** May 11, 2004**

(54) **PORTION OF AN EXERCISE DEVICE**

(75) Inventors: **Wen-Ta Fan**, Taichung (TW);
Christopher M. Hancock, London
(GB); **Mark G. Hecox**, Hingham, MA
(US)

(73) Assignee: **Reebok International Ltd.**, Canton,
MA (US)

(**) Term: **14 Years**

(21) Appl. No.: **29/179,926**

(22) Filed: **Apr. 17, 2003**

Related U.S. Application Data

(62) Division of application No. 10/272,989, filed on Oct. 18,
2002.

(51) **LOC (7) Cl.** **21-02**

(52) **U.S. Cl.** **D21/688; D21/689; D21/694**

(58) **Field of Search** D21/662, 686,
D21/687, 688, 689, 694; 482/79, 80, 51,
145, 146, 147

(56) **References Cited**

U.S. PATENT DOCUMENTS

1,585,748 A	5/1926	Wendelken
1,755,205 A	4/1930	Christensen
2,077,233 A	4/1937	Greenhill
2,455,274 A	11/1948	Scriver
2,521,530 A	9/1950	McGuffage
2,707,465 A	5/1955	Nemeth
2,714,007 A	7/1955	Jordan
2,829,891 A	4/1958	Ludwig
2,829,892 A	4/1958	Ludwig

(List continued on next page.)

FOREIGN PATENT DOCUMENTS

DE	20 32 544	1/1972
DE	31 50 189 A1	7/1983
DE	36 20 706 A1	12/1987
EP	0 134 047	3/1985

OTHER PUBLICATIONS

Duradisk Wobble Board, etc. www.paulchekseminars.com,
available on information and belief at least as early as Feb.
2000; and on http://www.checkinstitute.com/products spe-
cifics.cfm?product=77. printed Oct. 28, 2003.

Exercise Balls and Ball Base; Gymnic Line, etc. www.ball-
dynamics.com, available on information and belief at least
as early as Feb. 2000; abd on http://www.balldynamics.
com/, printed Oct. 28, 2003.

Dyna-Disc Pillow, etc., Perform Better, available on infor-
mation and belief at least as early as Feb. 2000.

Disc'O'Sit Air Cushion, etc. Perform Better, available on
information and belief at least as early as Feb. 2000; and on
http://performbetter.com/catalog/product.asp., printed on
Oct. 28, 2003.

Duradisk, etc. www.paulcheckseminars.com, available on
information and belief at least as early as Feb. 2000.

Sit Fit, www.rpsportsinc.com/balance.htm, available on
information and belief at least as early as Feb. 2000.

K.A.T. 2000 www.oemmedical.com (printed Jan. 10, 2000),
2 pages.

K.A.T. 500 products sheet, available on information and
belief at least as early as Feb. 2000.

(List continued on next page.)

Primary Examiner—Philip S. Hyder

(74) *Attorney, Agent, or Firm*—Sterne, Kessler, Goldstein
& Fox P.L.L.C.

(57) **CLAIM**

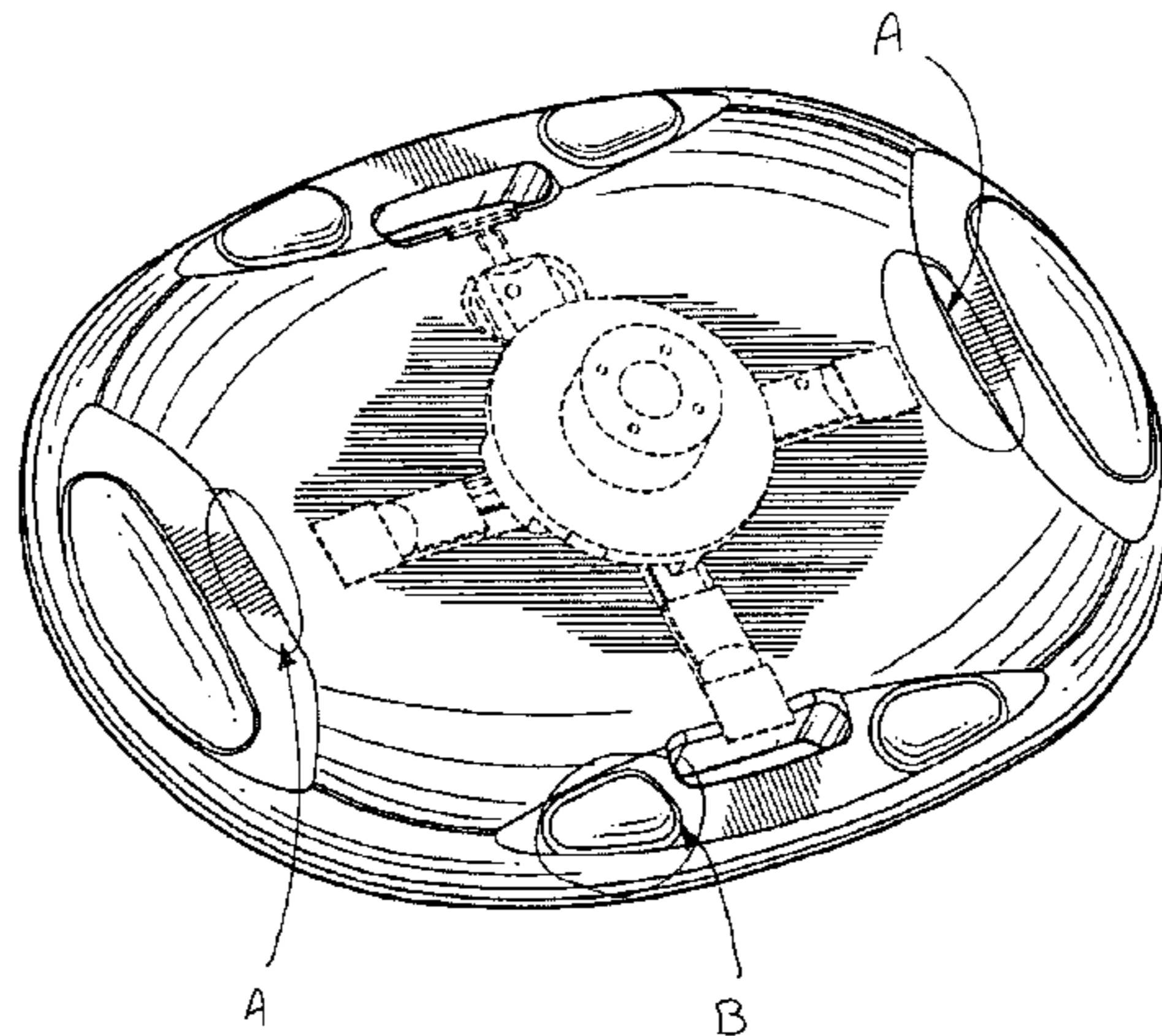
The ornamental design for a portion of an exercise device,
as shown and described.

DESCRIPTION

FIG. 1 is a perspective view of a portion of an exercise
device showing a new design; and,
FIG. 2 is side elevational view thereof. The opposite side
being identical thereto.

The even broken line showing the portions of an exercise
device is environmental only and forms no part of the
claimed design.

1 Claim, 2 Drawing Sheets



U.S. PATENT DOCUMENTS

2,941,801 A	6/1960	Pedersen	5,310,395 A	5/1994	Ko
2,978,243 A	4/1961	Gabrielson	5,333,336 A	8/1994	Langsam
2,991,589 A	7/1961	Ayala	5,399,140 A	3/1995	Klippel
3,024,021 A	3/1962	Coplin et al.	5,423,136 A	6/1995	Gulli
3,310,320 A	3/1967	Hanna et al.	D361,604 S	8/1995	Stroppiana
3,356,367 A	12/1967	Tewksbury	5,522,783 A	6/1996	Gordon
3,416,792 A	12/1968	Morgan et al.	5,536,226 A	7/1996	Gordon
3,419,267 A	12/1968	Stolle	5,549,536 A	8/1996	Clark
3,421,163 A	1/1969	Stoughton	D375,985 S	11/1996	Dailey et al.
3,427,019 A	2/1969	Brown	5,577,981 A	11/1996	Jarvik
3,451,672 A	6/1969	Kazdan	5,584,787 A	12/1996	Guidry
3,488,049 A	1/1970	Sasser, Jr.	5,603,334 A	2/1997	Sharp
3,511,500 A	5/1970	Dunn	5,611,524 A	3/1997	Gordon
3,586,321 A	6/1971	Gehrke	5,643,154 A	7/1997	Awbrey et al.
3,604,726 A	9/1971	Tracy	5,643,161 A	7/1997	Gordon
3,627,314 A	12/1971	Brown	5,643,165 A	7/1997	Klekamp
3,641,601 A	2/1972	Sieg	D382,609 S	8/1997	Szabo et al.
3,716,229 A	2/1973	van der Cleyen et al.	5,667,462 A	9/1997	Gordon
D227,584 S	7/1973	Perez	5,674,166 A	10/1997	Gordon
3,862,768 A	1/1975	England	5,683,337 A	11/1997	Zetocha et al.
3,929,329 A	12/1975	Rivera	5,730,690 A	3/1998	Guidry
3,961,787 A	6/1976	Studebaker et al.	5,749,816 A	5/1998	Froelich, Sr. et al.
3,964,100 A	6/1976	Bennett et al.	5,755,651 A	5/1998	Homyonfer et al.
3,967,820 A	7/1976	Harper	5,766,119 A	6/1998	Clark
4,065,124 A	12/1977	Egan	5,810,703 A	9/1998	Stack
4,067,078 A	1/1978	Winston	5,820,096 A	10/1998	Lynch et al.
4,159,826 A	7/1979	Hancock	5,851,166 A	12/1998	Bernardson
4,191,371 A	3/1980	Armer, Jr.	D405,135 S	2/1999	Scott
4,263,682 A	4/1981	Bejarano	5,881,407 A	3/1999	Chu Pt
4,285,516 A	8/1981	Heatwole	5,897,474 A	4/1999	Romero
4,386,915 A	6/1983	Gilliam	6,012,188 A	1/2000	Daniels et al.
4,491,318 A	1/1985	Francke	D428,948 S	8/2000	Gebhard
4,505,477 A	3/1985	Wilkinson	6,168,551 B1	1/2001	McGuinness
4,516,767 A	5/1985	Eskijian	6,413,194 B1	7/2002	Gant
4,516,768 A	5/1985	Gallaro	6,413,197 B2	7/2002	McKechnie et al.
4,530,498 A	7/1985	Heatwole	6,419,611 B1	7/2002	Levine et al.
4,601,469 A	7/1986	Sasser, Jr.	6,422,983 B1	7/2002	Weck
4,700,947 A	10/1987	Heatwole	6,547,703 B1	4/2003	Swezey et al.
4,759,542 A	7/1988	Hudec	6,554,753 B1	4/2003	Weck et al.
4,801,140 A	1/1989	Bergeron	6,575,885 B1	6/2003	Weck et al.
4,817,950 A	4/1989	Goo	6,595,586 B2	7/2003	Brightbill et al.
4,826,159 A	5/1989	Hersey	2002/0077231 A1	6/2002	Dalebout et al.
4,850,588 A	7/1989	Desjardins et al.	2003/0032533 A1	2/2003	Hecox et al.
4,880,226 A	11/1989	Krantz	2003/0054920 A1	3/2003	Weck et al.
4,893,809 A	1/1990	Blankenzee	2003/0125173 A1	7/2003	Fan et al.
4,905,994 A	3/1990	Hartz			
4,911,430 A	3/1990	Flament			
4,946,160 A	8/1990	Bertoletti			
4,966,364 A	10/1990	Eggenberger			
5,002,272 A	3/1991	Hofmeister			
5,048,823 A	9/1991	Bean			
5,062,624 A	11/1991	Reed			
5,062,629 A	11/1991	Vaughan			
5,078,393 A	1/1992	Morasiewicz			
5,112,045 A	5/1992	Mason et al.			
5,116,045 A	5/1992	Jahoda			
5,125,880 A	6/1992	Peters			
5,169,363 A	12/1992	Campanaro et al.			
5,190,506 A	3/1993	Zubik et al.			
5,256,127 A	* 10/1993	Yeh 482/146			
5,292,296 A	3/1994	Davignon			

OTHER PUBLICATIONS

Lower Extremity, Exercise Equipment (K.A.T. Products), available on information and belief at least as early as Feb. 2000.

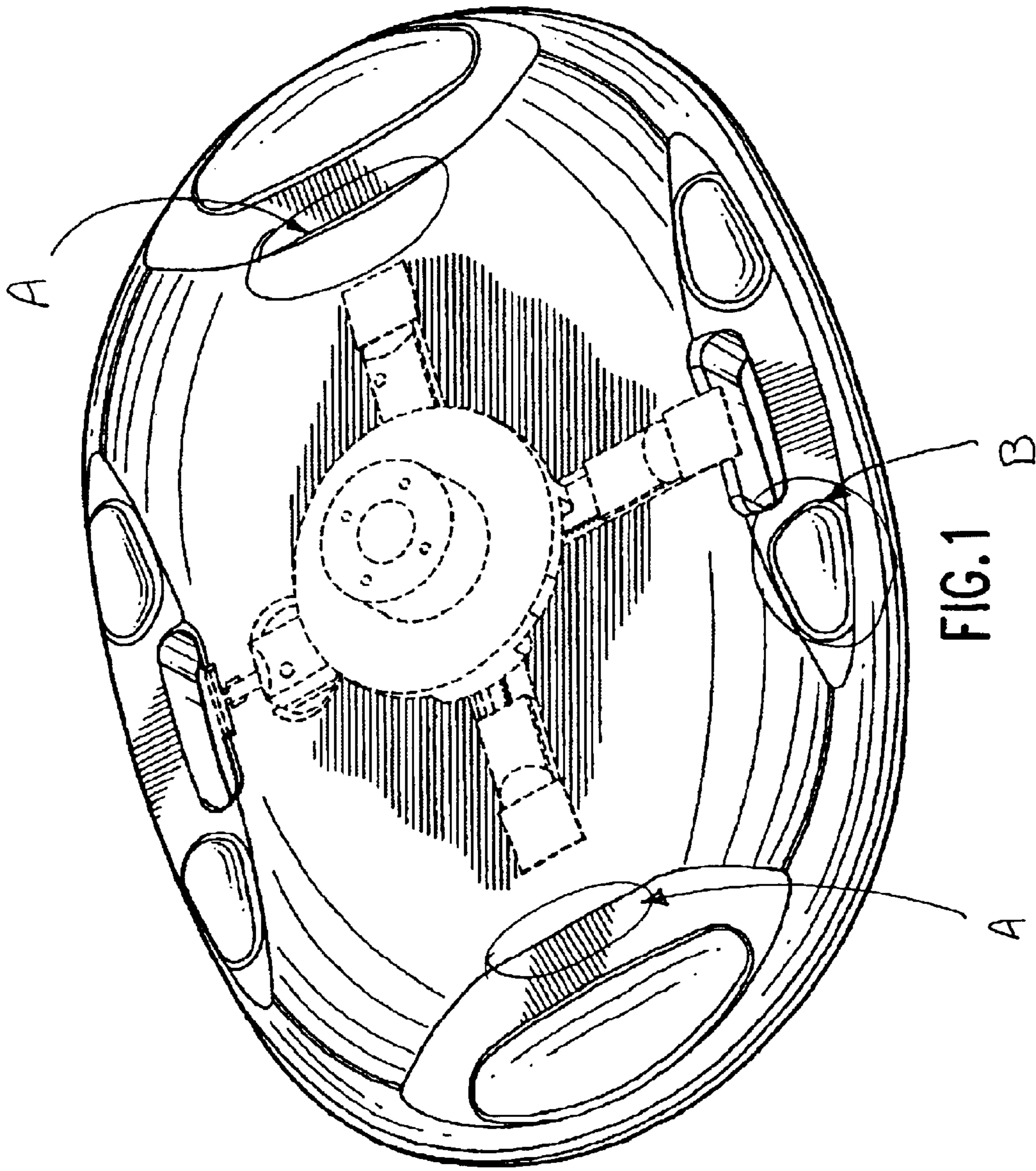
K.A.T. 550 product description, available on information and belief at least as early as Feb. 2000.

Pogo Ball Drawing, available on information and belief at least as early as Feb. 2000.

www.myfitnesstrainer.net, 4 selected screen shots, printed Feb. 26, 2001.

Jump Board: Digital photographs showing a toy called "jump board" made by Hedstrom Corporation, available on information and belief at least as early as August 2000.

* cited by examiner



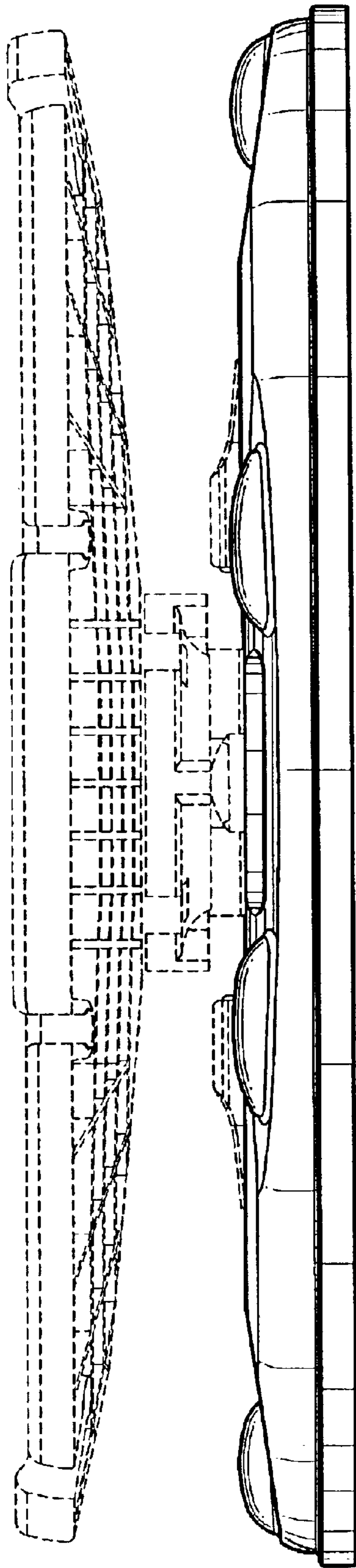


FIG.2

UNITED STATES PATENT AND TRADEMARK OFFICE
CERTIFICATE OF CORRECTION

PATENT NO. : Des. 489,778 S
APPLICATION NO. : 29/179926
DATED : May 11, 2004
INVENTOR(S) : Wen-Ta Fan, Christopher M. Hancock and Mark G. Hecox

Page 1 of 3

It is certified that error appears in the above-identified patent and that said Letters Patent is hereby corrected as shown below:

The title page should be deleted to appear as per attached title page.

The sheet of drawing consisting of figure 1 should be deleted as per attached figure 1.

Signed and Sealed this

Fourth Day of September, 2007

A handwritten signature in black ink on a light gray dotted background. The signature reads "Jon W. Dudas" in a cursive style.

JON W. DUDAS

Director of the United States Patent and Trademark Office

(12) **United States Design Patent** (10) Patent No.: **US D489,778 S**
 Fan et al. (45) Date of Patent: **May 11, 2004**

(54) **PORTION OF AN EXERCISE DEVICE**

(75) Inventors: Wen-Ta Fan, Taichung (TW);
 Christopher M. Huncolt, London
 (GB); Mark G. Hecox, Hingham, MA
 (US)

(73) Assignee: Reebok International Ltd., Canton,
 MA (US)

(***) Term: 14 Years

(21) Appl. No.: 29/179,926

(22) Filed: Apr. 17, 2003

Related U.S. Application Data

(62) Division of application No. 10/272,989, filed on Oct. 18,
 2002.

(51) LOC (7) Cl. 21-02

(52) U.S. Cl. D21/688; D21/689; D21/694

(58) Field of Search D21/662, 686,
 D21/687, 688, 689, 694; 482/79, 80, 51,
 145, 146, 147

(56) **References Cited**

U.S. PATENT DOCUMENTS

1,585,748 A	5/1926	Wendelken
1,735,205 A	4/1930	Christensen
2,077,233 A	4/1937	Greenhill
2,455,274 A	11/1948	Scriver
2,523,530 A	9/1950	McGuffage
2,707,465 A	5/1955	Nemeth
2,714,007 A	7/1955	Jordan
2,829,891 A	4/1958	Ludwig
2,829,892 A	4/1958	Ludwig

(List continued on next page.)

FOREIGN PATENT DOCUMENTS

DE	20 32 544	1/1972
DE	31 50 189 A1	7/1983
DE	36 20 706 A1	12/1987
EP	0 134 047	3/1985

OTHER PUBLICATIONS

Duradisk Wobble Board, etc. www.paulcheckseminars.com, available on information and belief at least as early as Feb. 2000; and on http://www.checkinstitute.com/products specifics.cfm?product=77, printed Oct. 28, 2003.
 Exercise Balls and Ball Base; Gymnic Line, etc. www.ball-dynamics.com, available on information and belief at least as early as Feb. 2000; and on http://www.ball-dynamics.com/, printed Oct. 28, 2003.
 Dyna-Disc Pillow, etc., Perform Better, available on information and belief at least as early as Feb. 2000.
 Disc'O'Sit Air Cushion, etc. Perform Better, available on information and belief at least as early as Feb. 2000; and on http://performbetter.com/catalog/product.asp., printed on Oct. 28, 2003.
 Duradisk, etc. www.paulcheckseminars.com, available on information and belief at least as early as Feb. 2000.
 Sit Fit, www.rpsportsinc.com/balance.htm, available on information and belief at least as early as Feb. 2000.
 K.A.T. 2000 www.oemmedical.com (printed Jan. 10, 2000), 2 pages.
 K.A.T. 500 products sheet, available on information and belief at least as early as Feb. 2000.

(List continued on next page.)

Primary Examiner—Philip S. Hyder
 (74) Attorney, Agent, or Firm—Sterne, Kessler, Goldstein & Fox P.L.L.C.

(57) **CLAIM**

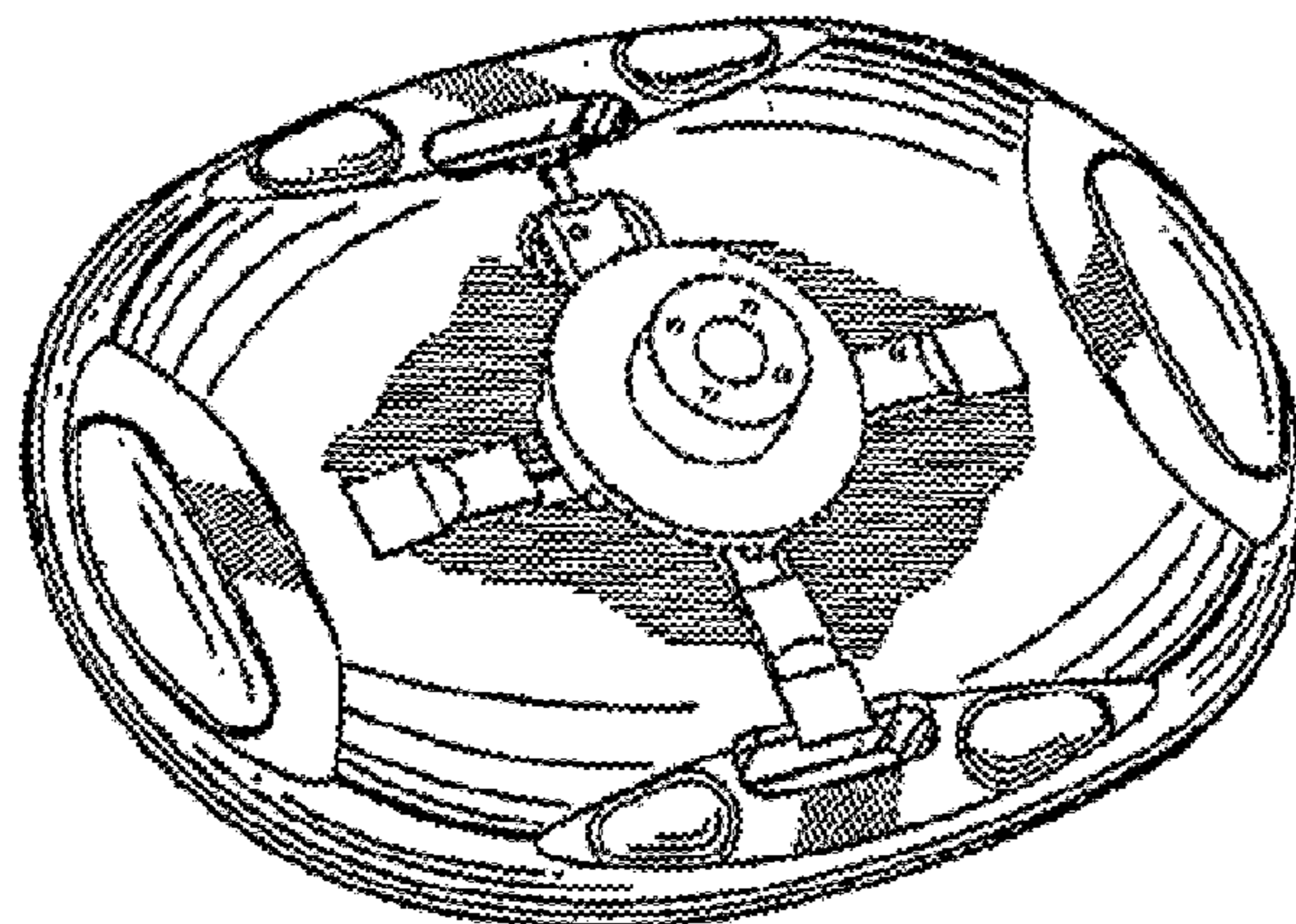
The ornamental design for a portion of an exercise device, as shown and described.

DESCRIPTION

FIG. 1 is a perspective view of a portion of an exercise device showing a new design; and, FIG. 2 is side elevational view thereof. The opposite side being identical thereto.

The even broken line showing the portions of an exercise device is environmental only and forms no part of the claimed design.

1 Claim, 2 Drawing Sheets



U.S. Patent

May. 11, 2004

Sheet 1 of 2

D489,778 S

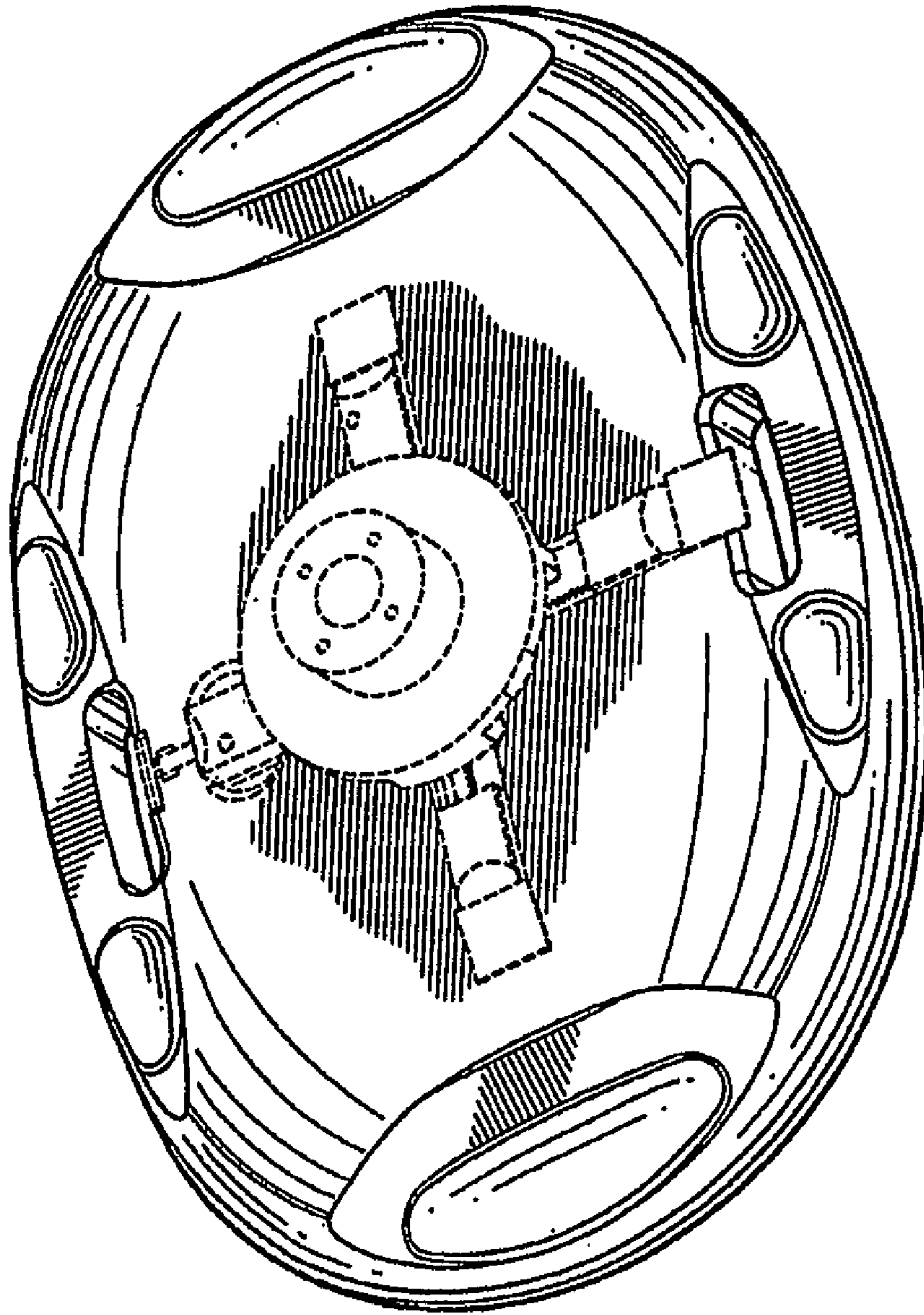


FIG.1