



US00D489763S

(12) **United States Design Patent**
Chen

(10) **Patent No.:** **US D489,763 S**

(45) **Date of Patent:** **** May 11, 2004**

(54) **PAPER PUNCH**

(75) **Inventor:** **Peter Chen**, West Windsor, NJ (US)

(73) **Assignee:** **Officemate International Corp.**,
Edison, NJ (US)

(**) **Term:** **14 Years**

(21) **Appl. No.:** **29/185,433**

(22) **Filed:** **Jun. 27, 2003**

(51) **LOC (7) Cl.** **19-02**

(52) **U.S. Cl.** **D19/72**

(58) **Field of Search** D8/98; D19/65,
D19/72, 99, 100; 83/166, 167, 145, 468.9,
571, 588, 618, 620, 633

(56) **References Cited**

U.S. PATENT DOCUMENTS

1,541,188 A * 6/1925 Salt 83/468.9
2,335,552 A * 11/1943 Unger 83/145

2,405,150 A * 9/1946 Kern 83/618
2,494,836 A * 1/1950 Segal 83/167
3,176,570 A * 4/1965 Gaya 83/571
D361,786 S * 8/1995 Yang D19/72

* cited by examiner

Primary Examiner—Martie K. Holtje

(74) *Attorney, Agent, or Firm*—Daniel Kirchner

(57) **CLAIM**

The ornamental design for a paper punch, as shown.

DESCRIPTION

FIG. 1 is a front prospective view of the paper punch showing the design;

FIG. 2 is a front elevational view thereof;

FIG. 2 is a back elevational view thereof;

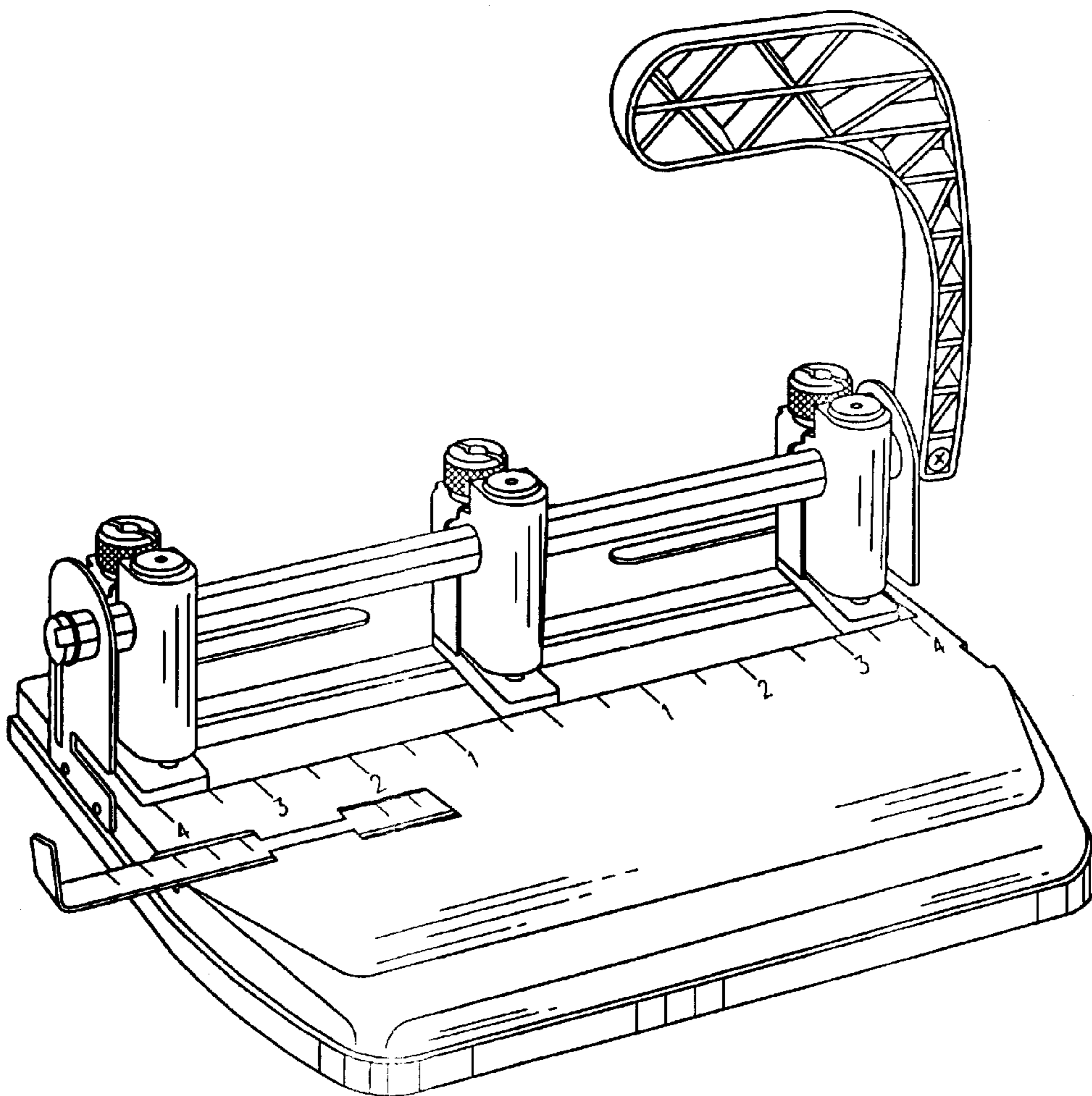
FIG. 4 is a left side elevational view thereof;

FIG. 5 is a right side elevational view thereof;

FIG. 6 is a top plan view thereof; and,

FIG. 7 is a bottom plan view thereof.

1 Claim, 7 Drawing Sheets



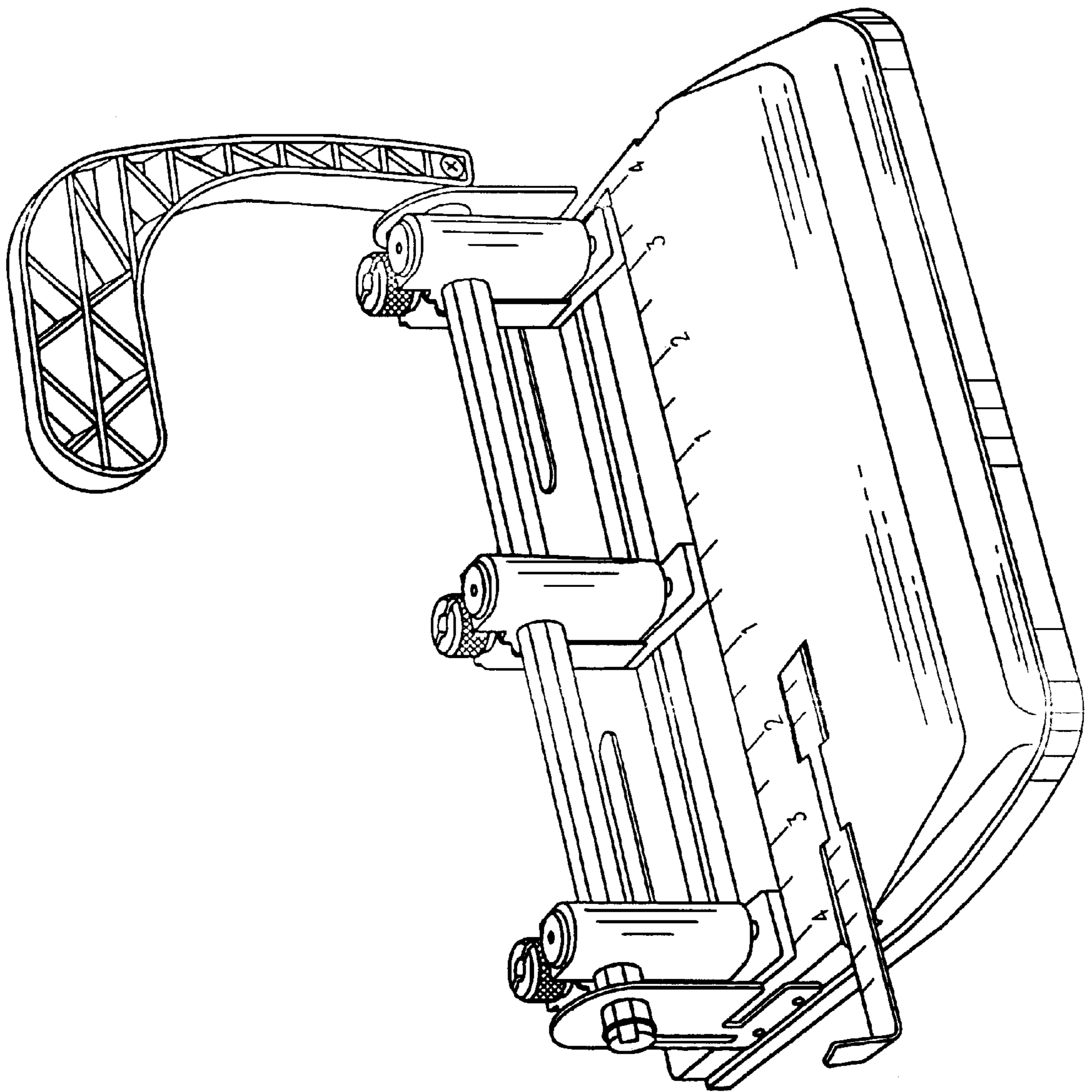


FIG. 1

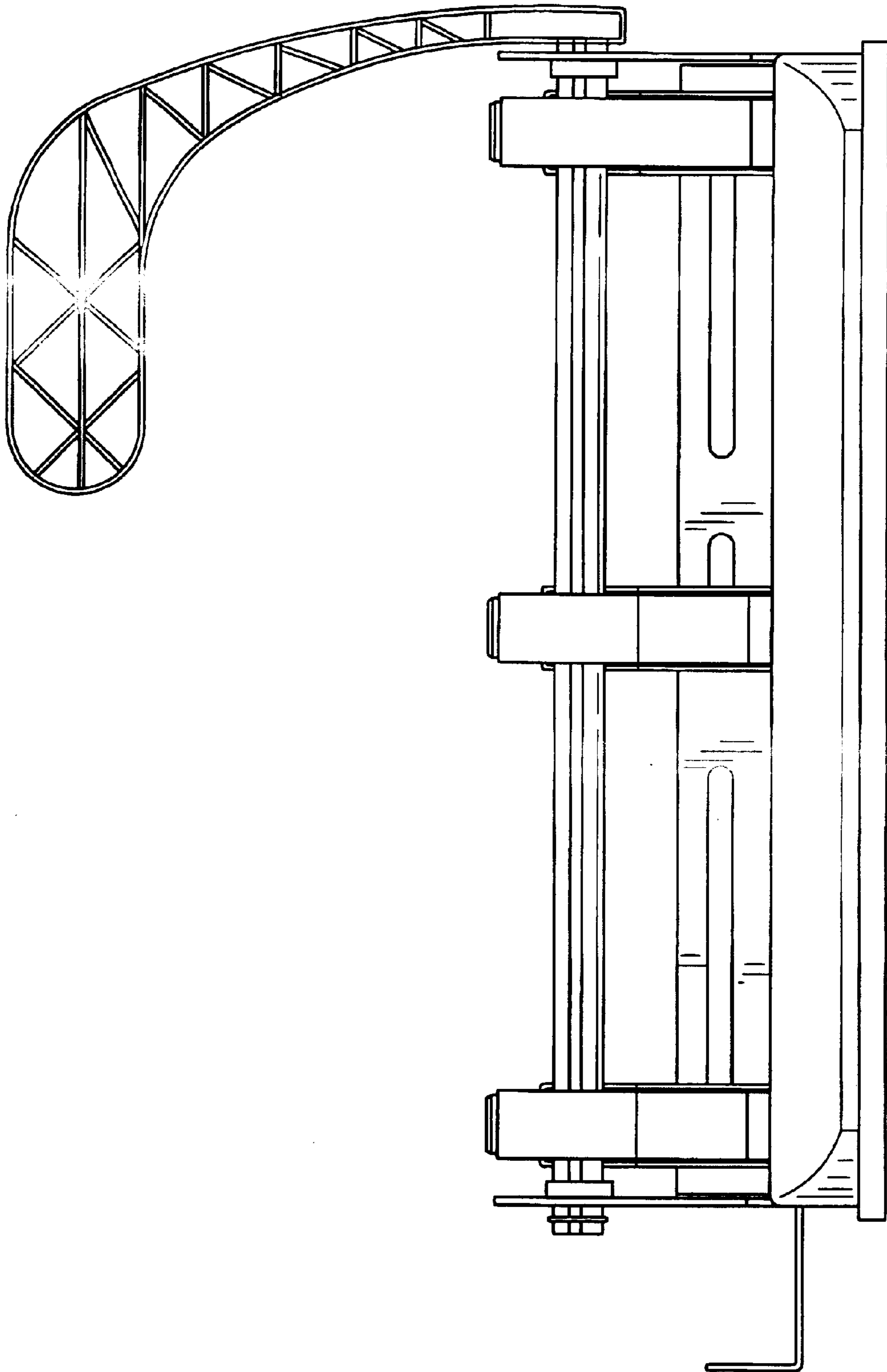


FIG. 2

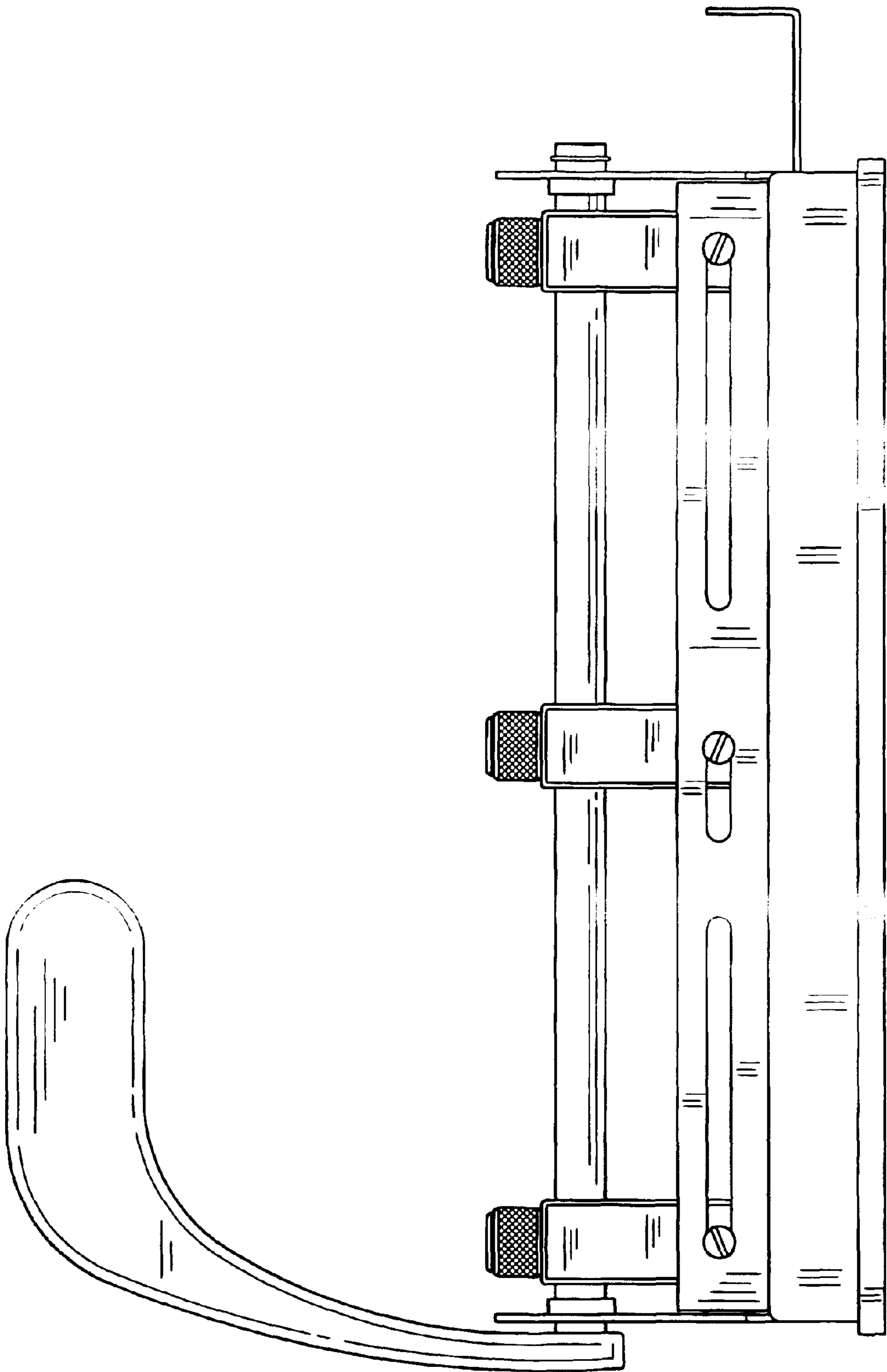
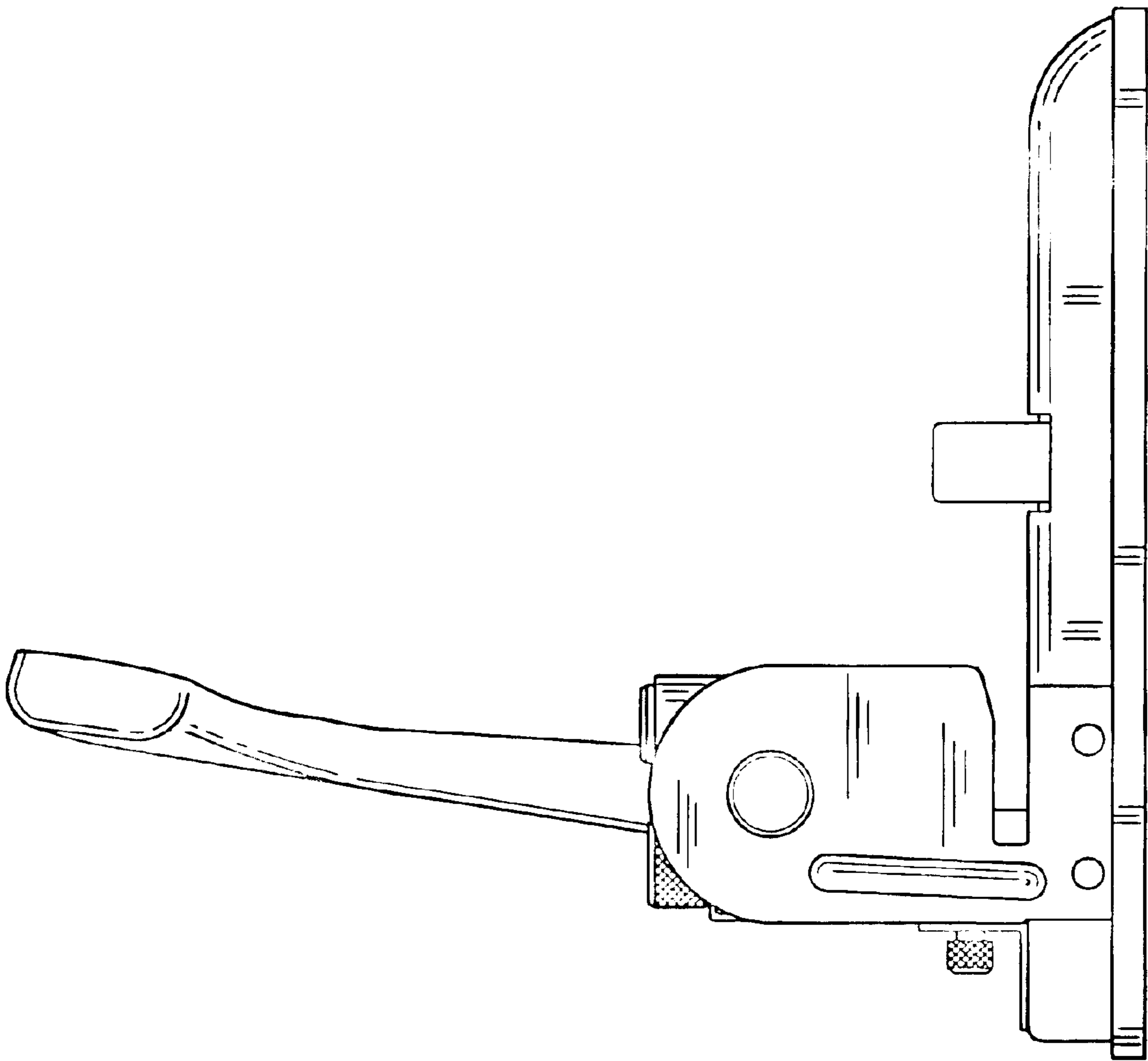


FIG. 3

FIG. 4



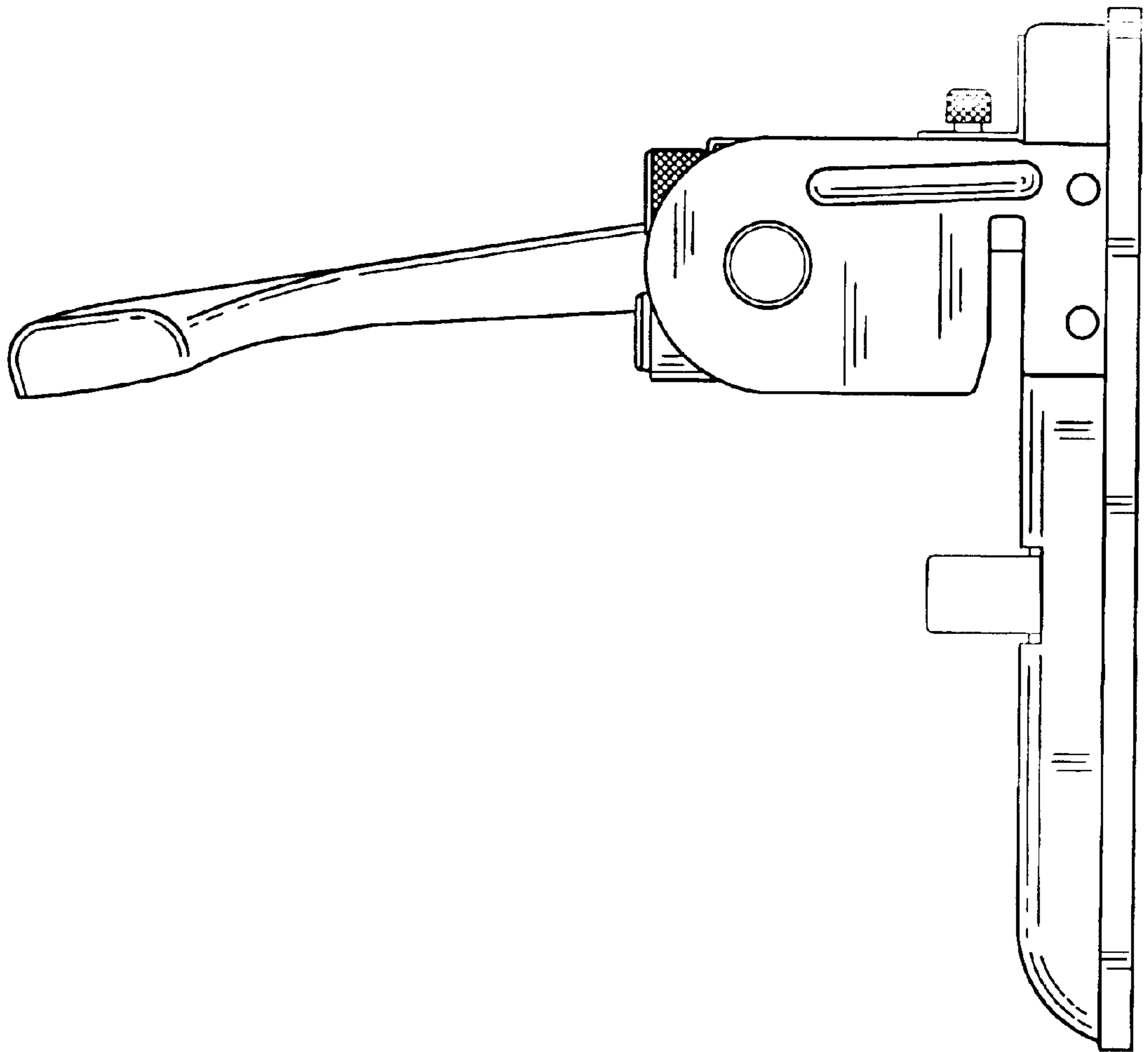


FIG. 5

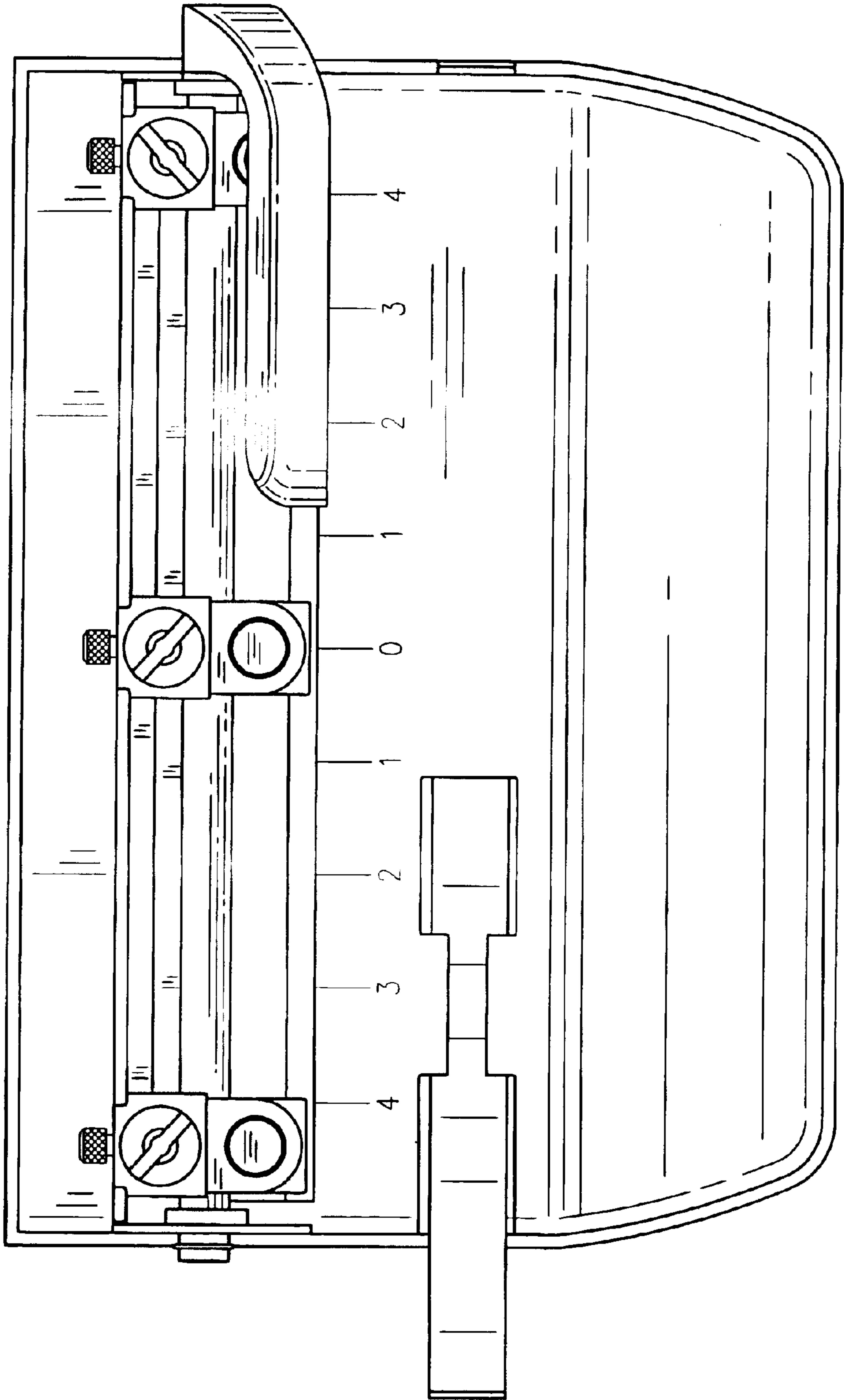


FIG. 6

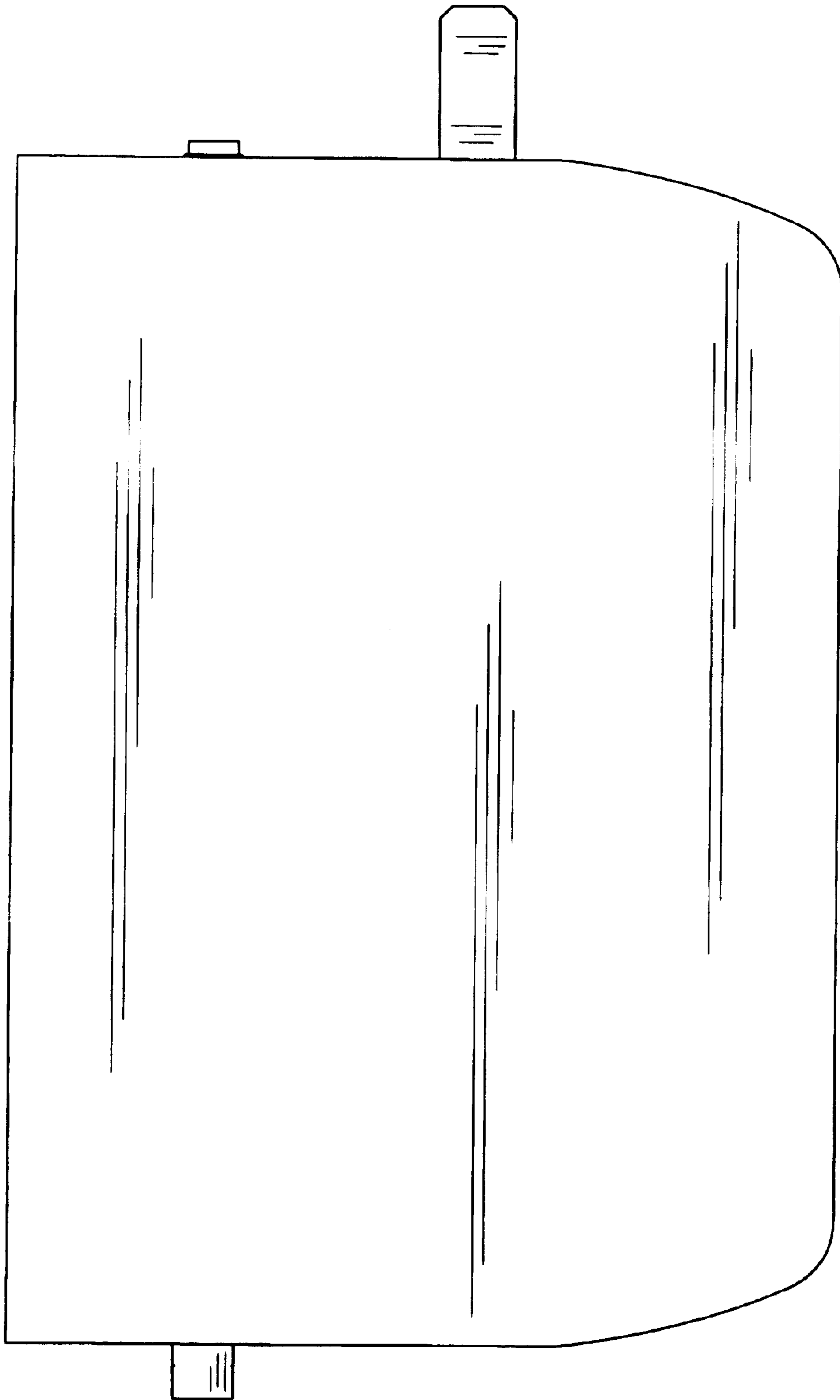


FIG. 7