



US00D489761S

(12) **United States Design Patent**  
**Cetera**

(10) **Patent No.:** **US D489,761 S**

(45) **Date of Patent:** **\*\* May 11, 2004**

(54) **PEN**

(75) **Inventor:** **Carl Cetera**, Tenafly, NJ (US)

(73) **Assignee:** **Cotapaxi, Inc.**, Englewood, NJ (US)

(\*\*) **Term:** **14 Years**

(21) **Appl. No.:** **29/175,083**

(22) **Filed:** **Jan. 29, 2003**

(51) **LOC (7) Cl.** ..... **19-06**

(52) **U.S. Cl.** ..... **D19/51; D19/55; D19/56**

(58) **Field of Search** ..... **D19/35, 36, 41-51,**  
**D19/53-58, 81-85; 401/6, 7, 88, 99-101,**  
**103-106, 107-110, 111-117, 209; 24/10 R,**  
**11 R, 11 PP**

(56) **References Cited**

**U.S. PATENT DOCUMENTS**

276,512 A	4/1883	Webster	24/11 P
1,808,045 A	6/1931	Krause	24/11 P
D100,845 S	* 8/1936	Bloser	D19/53 X
5,000,599 A	* 3/1991	McCall et al.	401/6
D338,915 S	* 8/1993	Willat	D19/51
D363,310 S	* 10/1995	Oka	D19/55
D400,581 S	* 11/1998	Hasegawa	D19/51
5,845,985 A	12/1998	Xiong	362/118
D413,145 S	* 8/1999	Brescia et al.	D19/51
D424,110 S	* 5/2000	Hu	D19/51
D439,277 S	* 3/2001	Rosenbaum	D19/55
D470,530 S	* 2/2003	Moon	D19/55
D475,406 S	* 6/2003	Cetera	D19/48
D475,741 S	* 6/2003	Cetera	D19/51

\* cited by examiner

*Primary Examiner*—Martie K. Holtje

(74) *Attorney, Agent, or Firm*—Mark D. Nielsen; The Soni Law Firm

(57) **CLAIM**

The ornamental design for a pen, as shown and described.

**DESCRIPTION**

FIG. 1 is a perspective view of the first embodiment of a pen; FIG. 2 is a right side elevational view of the first embodiment of the pen of FIG. 1;

FIG. 3 is a back side elevational view of the first embodiment of the pen of FIG. 1;

FIG. 4 is a front side elevational view of the first embodiment of the pen of FIG. 1;

FIG. 5 is a bottom plan view of the first embodiment of the pen of FIG. 1; and,

FIG. 6 is a top plan view of the first embodiment of the pen of FIG. 1.

FIG. 7 is a perspective view of a further embodiment of a pen;

FIG. 8 is a right side elevational view of a further embodiment of the pen of FIG. 7;

FIG. 9 is a back side elevational view of a further embodiment of the pen of FIG. 7;

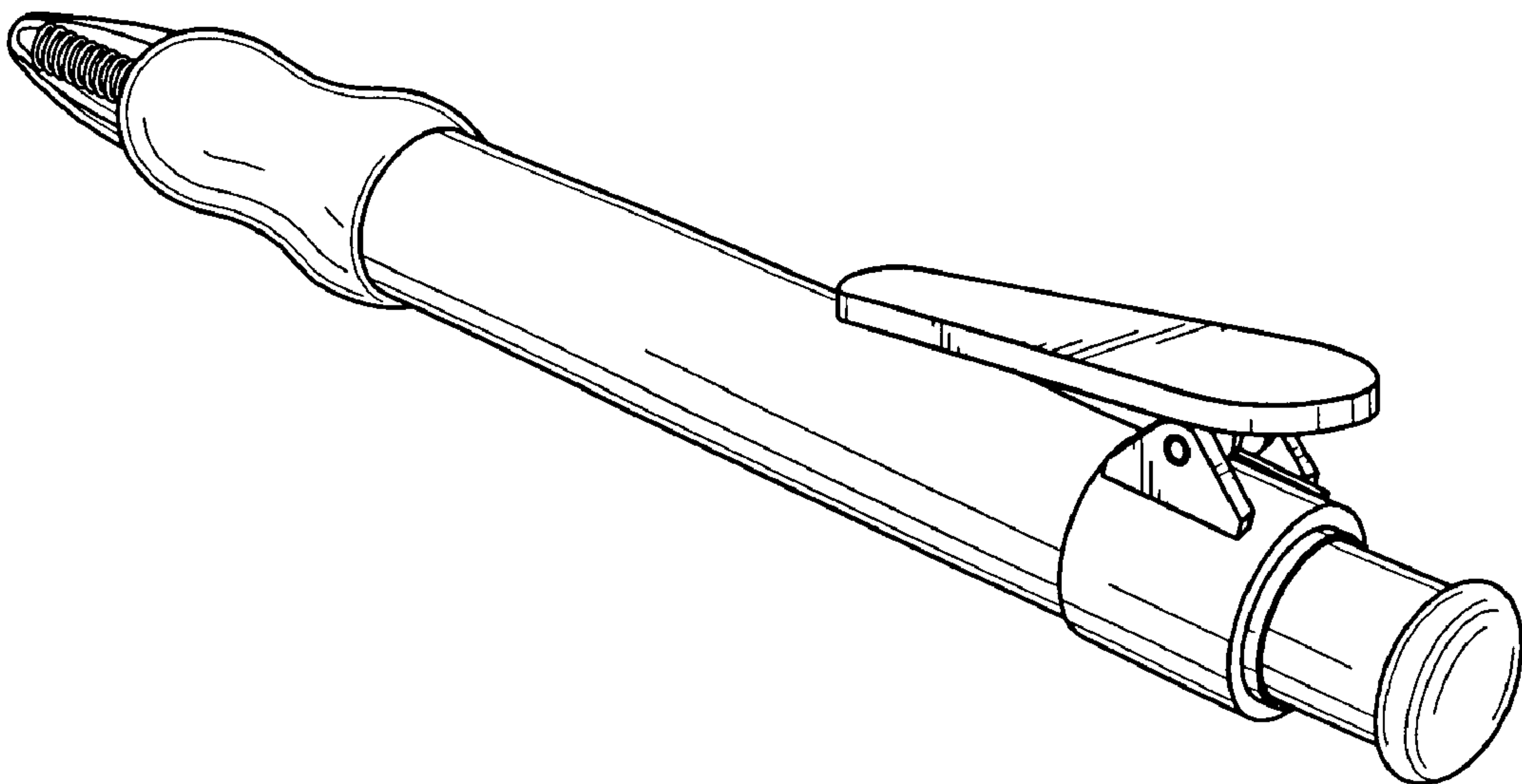
FIG. 10 is a front side elevational view of a further embodiment of the pen of FIG. 7;

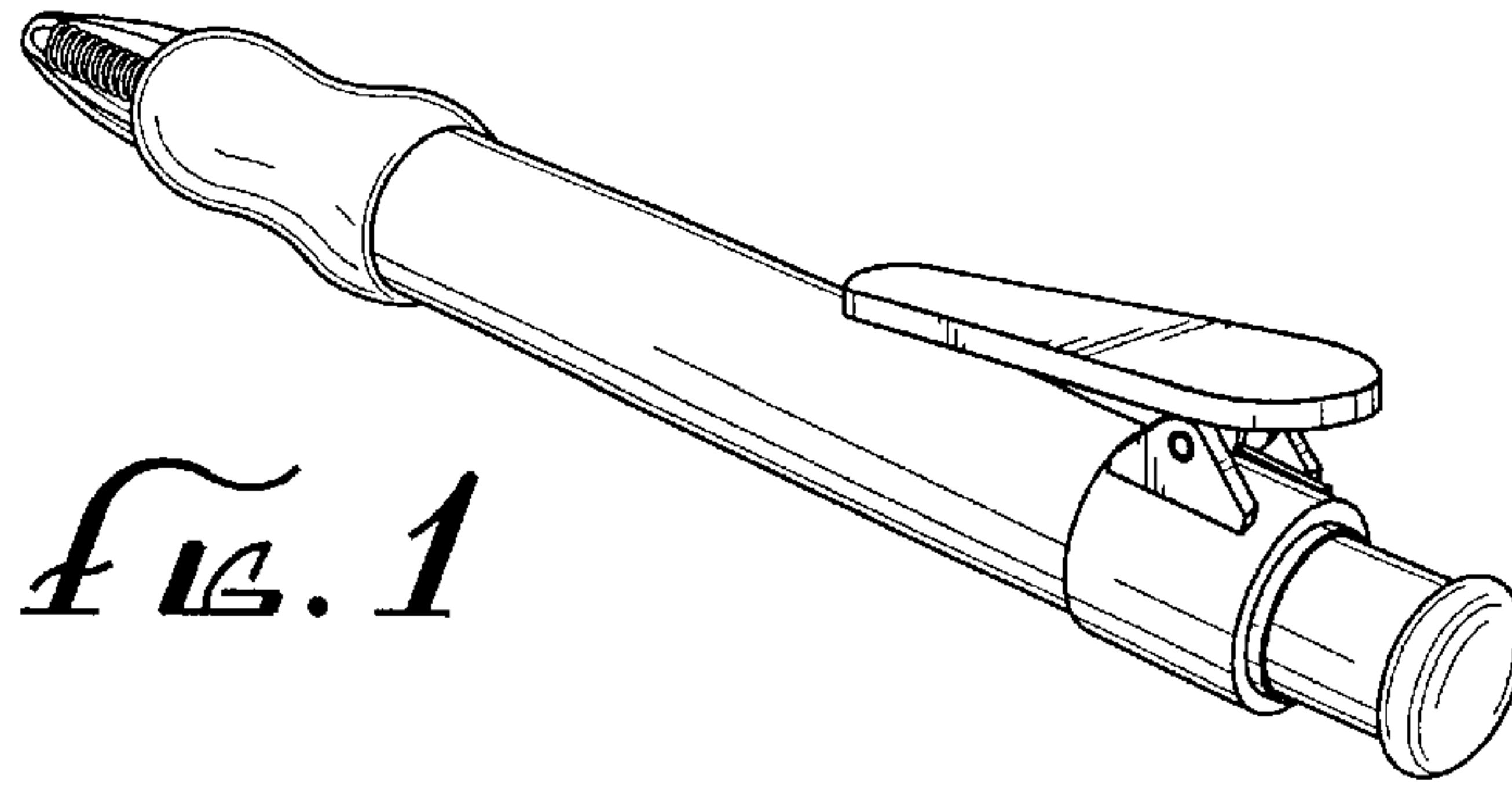
FIG. 11 is a bottom plan view of a further embodiment of the pen of FIG. 7; and,

FIG. 12 is a top plan view of a further embodiment of the pen of FIG. 7.

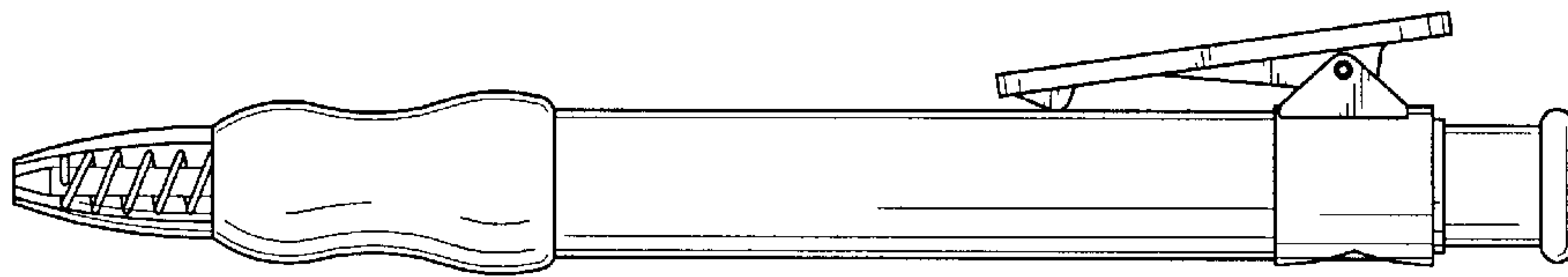
The broken lines representing the clip of the pen in FIGS. 7 through 12 are for illustrative purposes and form no part of the claimed design.

**1 Claim, 2 Drawing Sheets**

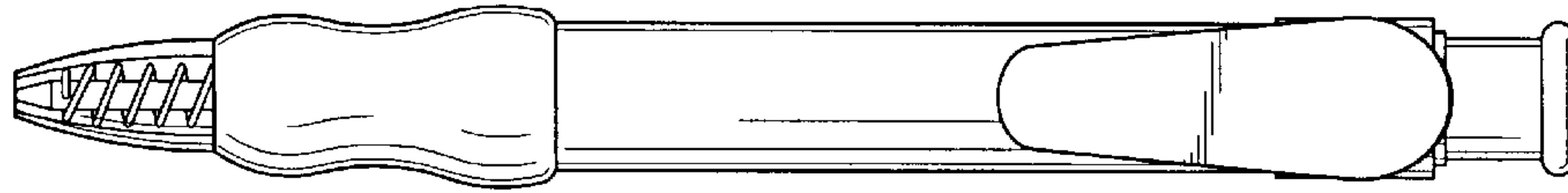




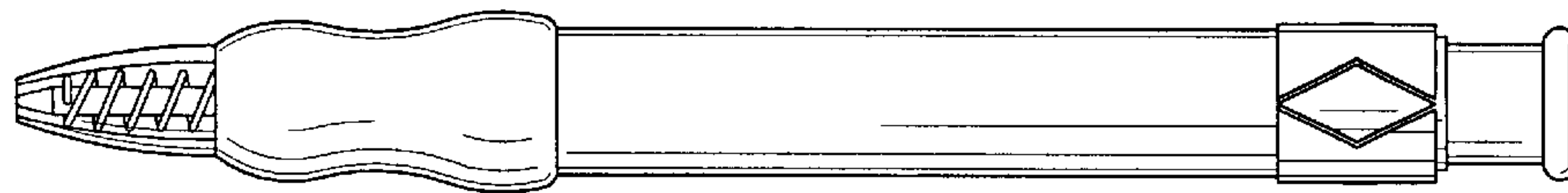
*FIG. 1*



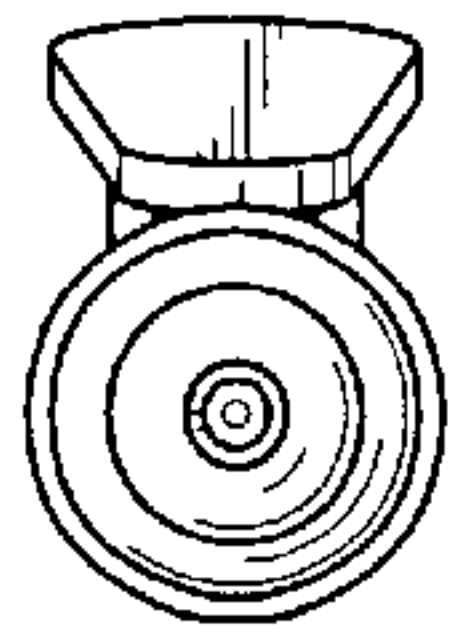
*FIG. 2*



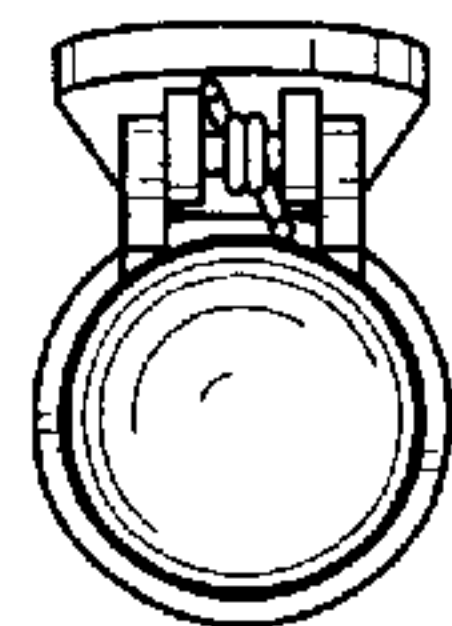
*FIG. 3*



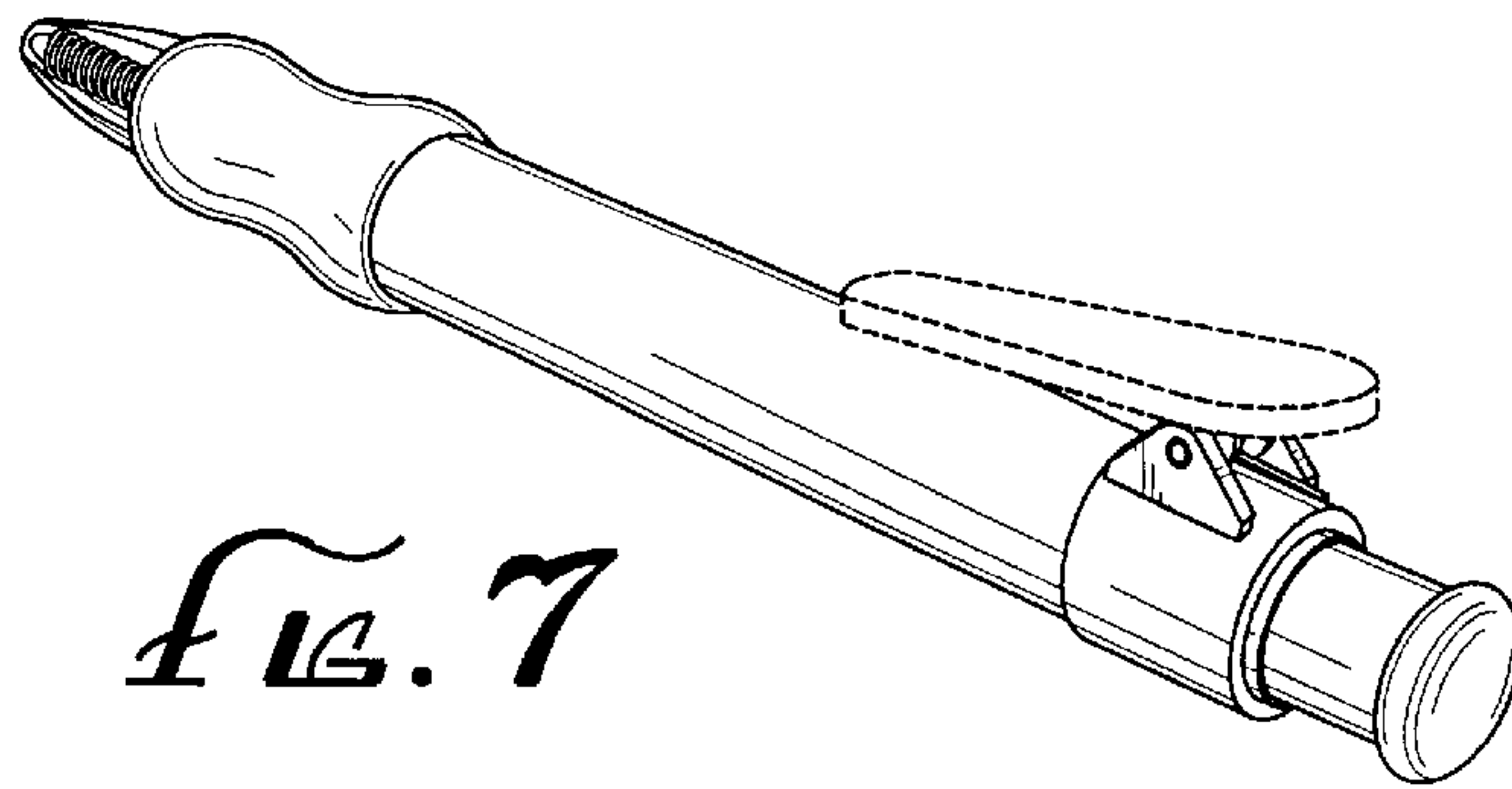
*FIG. 4*



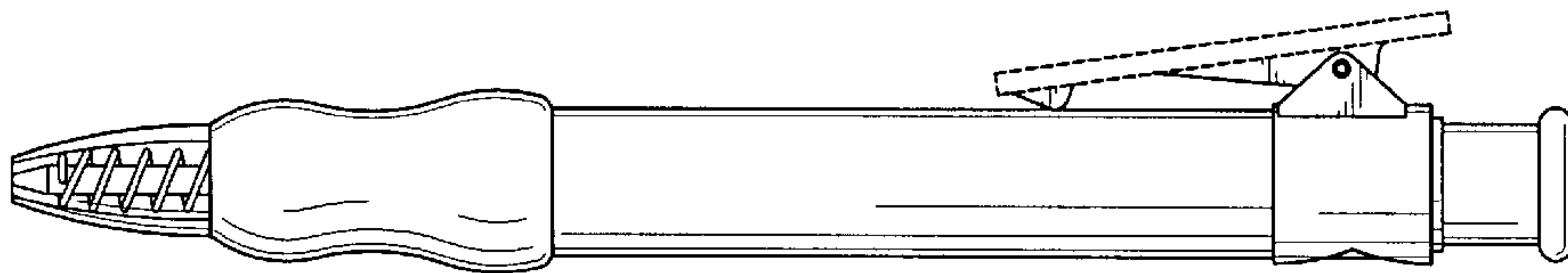
*FIG. 5*



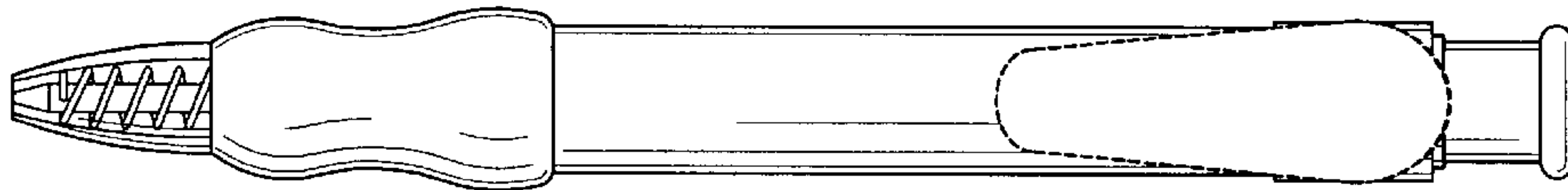
*FIG. 6*



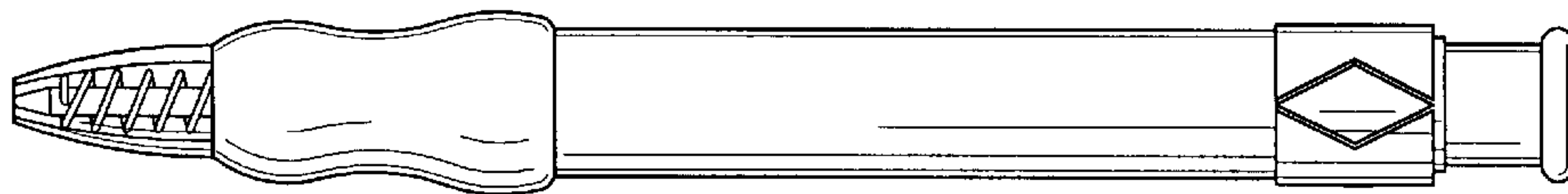
*FIG. 7*



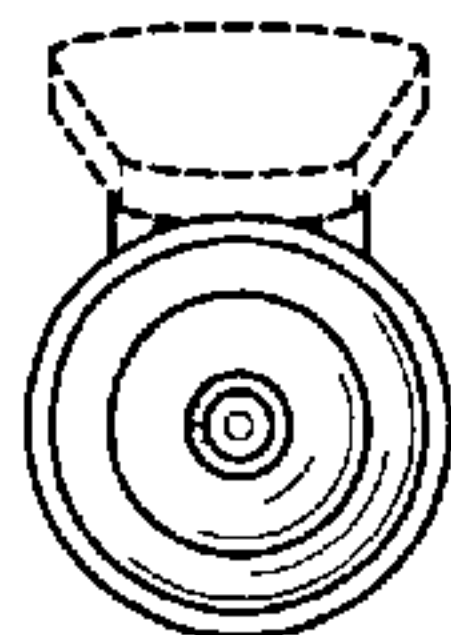
*FIG. 8*



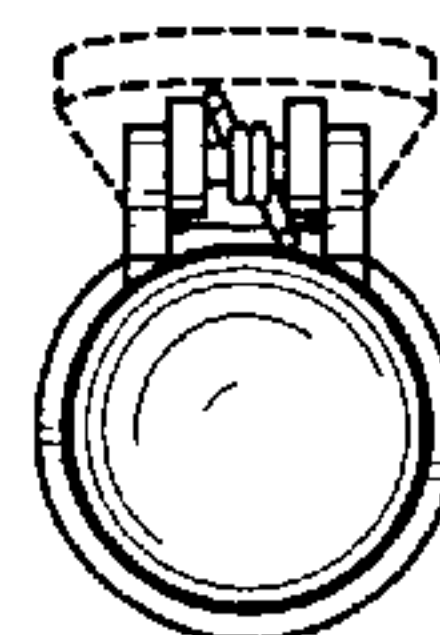
*FIG. 9*



*FIG. 10*



*FIG. 11*



*FIG. 12*