



US00D489757S

(12) **United States Design Patent**  
**Matsumoto**

(10) **Patent No.:** **US D489,757 S**

(45) **Date of Patent:** **\*\* May 11, 2004**

(54) **INK CARTRIDGE FOR PRINTER**

(75) **Inventor:** **Hitoshi Matsumoto, Suwa (JP)**

(73) **Assignee:** **Seiko Epson Corporation, Tokyo (JP)**

(\*\*) **Term:** **14 Years**

(21) **Appl. No.:** **29/180,776**

(22) **Filed:** **Apr. 29, 2003**

(30) **Foreign Application Priority Data**

Oct. 29, 2002 (JP) ..... 2002-029499

(51) **LOC (7) Cl.** ..... **18-02**

(52) **U.S. Cl.** ..... **D18/56**

(58) **Field of Search** ..... D18/40, 43, 56,  
D18/12; 347/49, 86, 87, 101, 214; 399/110,  
111, 114, 119, 120, 259, 262

(56) **References Cited**

**U.S. PATENT DOCUMENTS**

4,551,734 A	11/1985	Causley et al.	
4,695,824 A	9/1987	Tazaki	
4,855,762 A	8/1989	Suzuki	
4,935,751 A	6/1990	Hamlin	
4,959,667 A	9/1990	Kaplinsky	
D313,812 S	1/1991	Yomo	
D321,900 S	11/1991	Kumagai	
5,113,206 A	5/1992	Fukazawa	
D330,387 S	10/1992	Kawakami	
5,153,612 A	10/1992	Dunn et al.	
D331,939 S	12/1992	Ujita	
D334,403 S	3/1993	Kawakami	
5,216,452 A	6/1993	Suzuki	
D341,157 S	11/1993	Kitahara et al.	
D349,723 S	8/1994	Ujita	
5,381,172 A	1/1995	Ujita et al.	
D357,274 S	4/1995	Sato	
D361,591 S	8/1995	Tokuda et al.	
5,509,140 A	4/1996	Koitabashi et al.	
5,541,631 A	7/1996	Hashimoto	
5,587,731 A	12/1996	Yasunaga et al.	
D379,638 S	* 6/1997	Cruden et al. ....	D18/56
5,666,146 A	9/1997	Mochizuki et al.	
5,805,187 A	9/1998	Sasaki	

5,821,964 A	10/1998	Bidwell	
5,889,543 A	3/1999	Miyazawa et al.	
D423,043 S	4/2000	Ishigami et al.	
6,053,606 A	4/2000	Yamaguchi et al.	
6,106,111 A	8/2000	Taneya et al.	
6,106,112 A	8/2000	Okubo et al.	
D447,169 S	8/2001	Okubo et al.	
D447,513 S	* 9/2001	Miyazawa et al. ....	D18/56
D451,542 S	12/2001	Ishizawa et al.	
D464,672 S	* 10/2002	Shinano et al. ....	D18/56
D466,925 S	12/2002	Ishizawa et al.	
D467,964 S	* 12/2002	Shinano et al. ....	D18/56
D477,020 S	* 7/2003	Seino .....	D18/56

**FOREIGN PATENT DOCUMENTS**

JP	D828575	11/1991
JP	D828707	11/1991
JP	D887571	10/1993
JP	D406015835 A	1/1994

**OTHER PUBLICATIONS**

U.S. patent application Ser. No. 29/161,422, filed May 29, 2002, allowed, D477,020.

\* cited by examiner

*Primary Examiner*—Caron D. Veynar  
(74) *Attorney, Agent, or Firm*—Stroock & Stroock & Lavan LLP

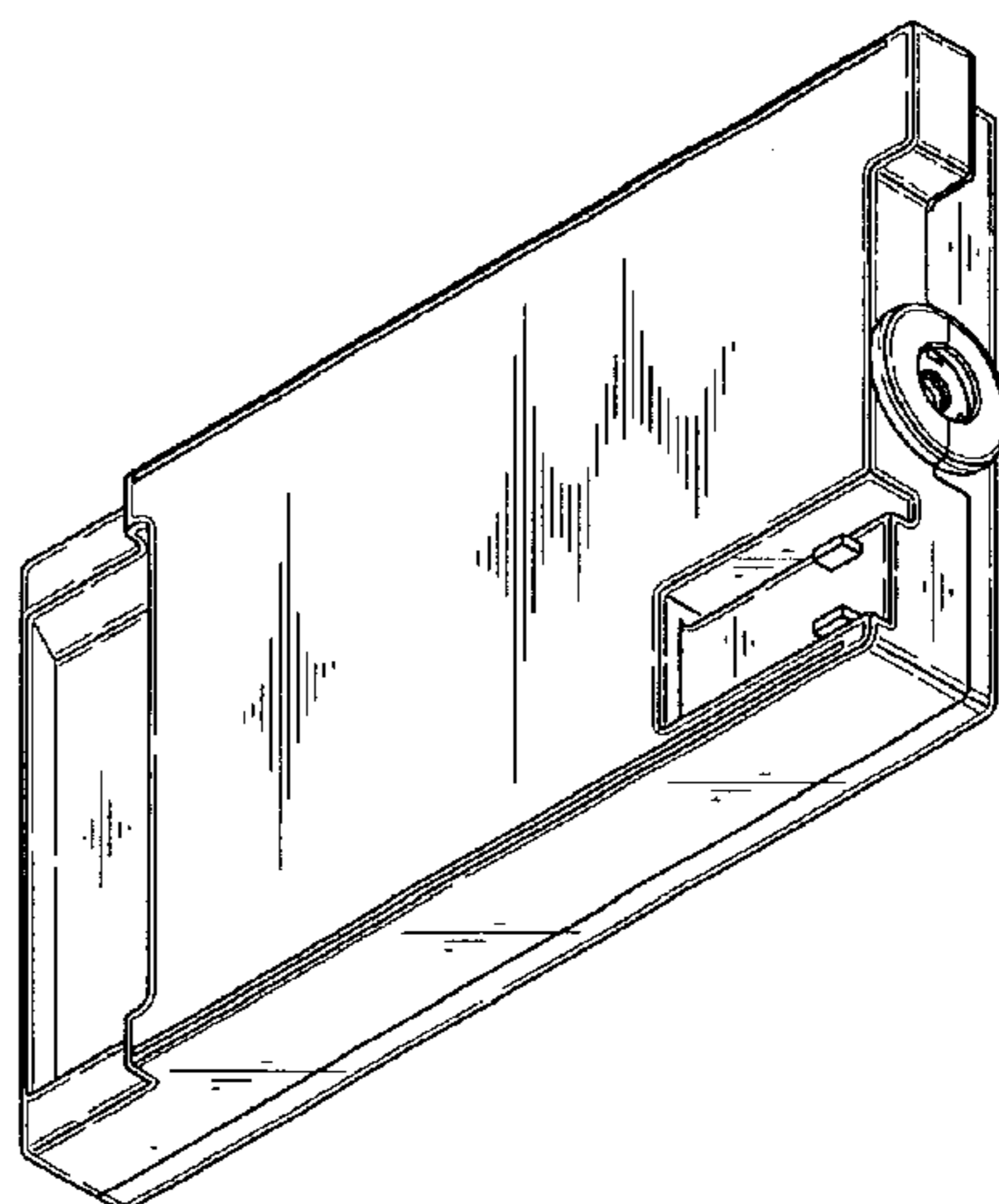
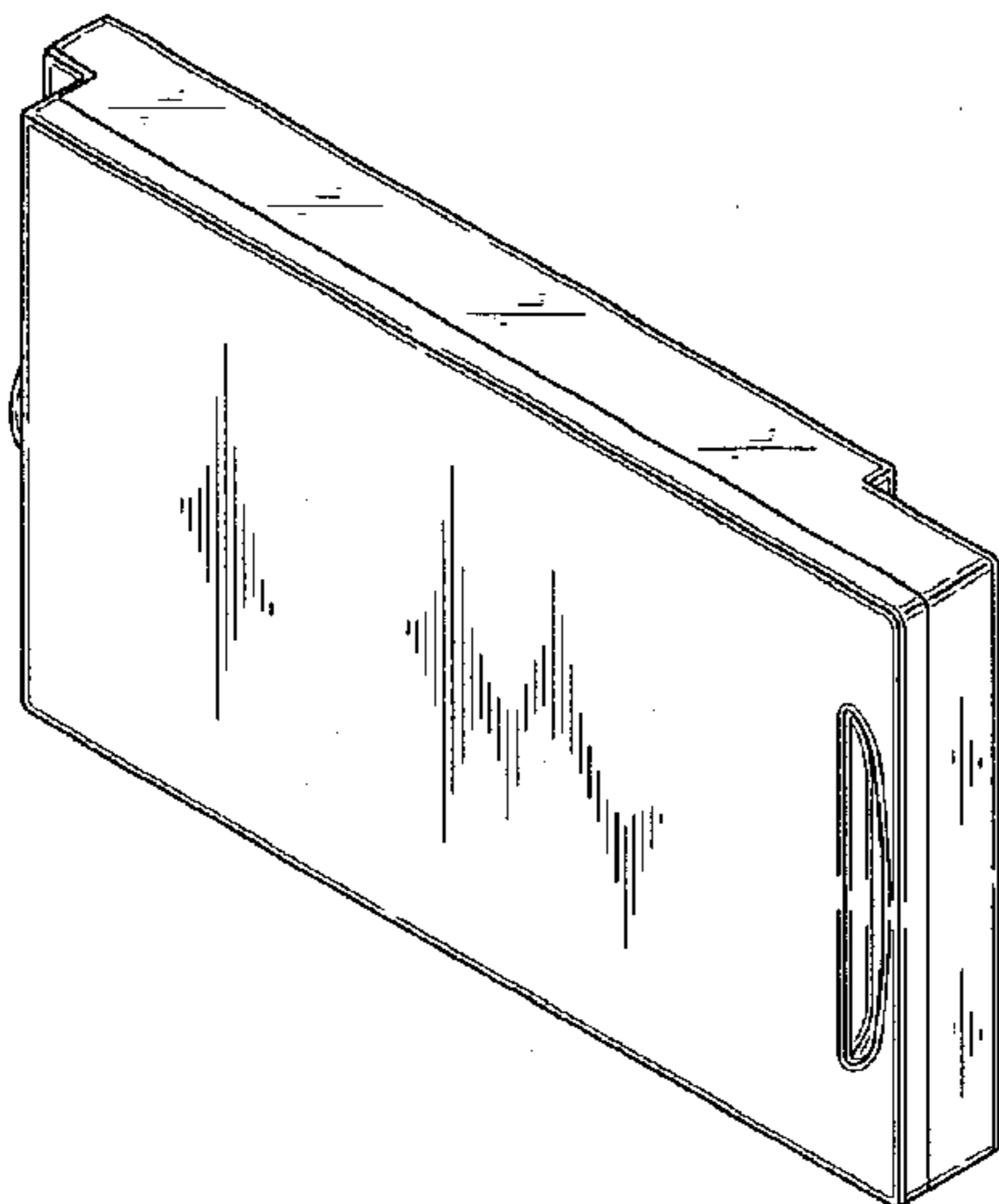
(57) **CLAIM**

The ornamental design for an ink cartridge for printer, as shown and described.

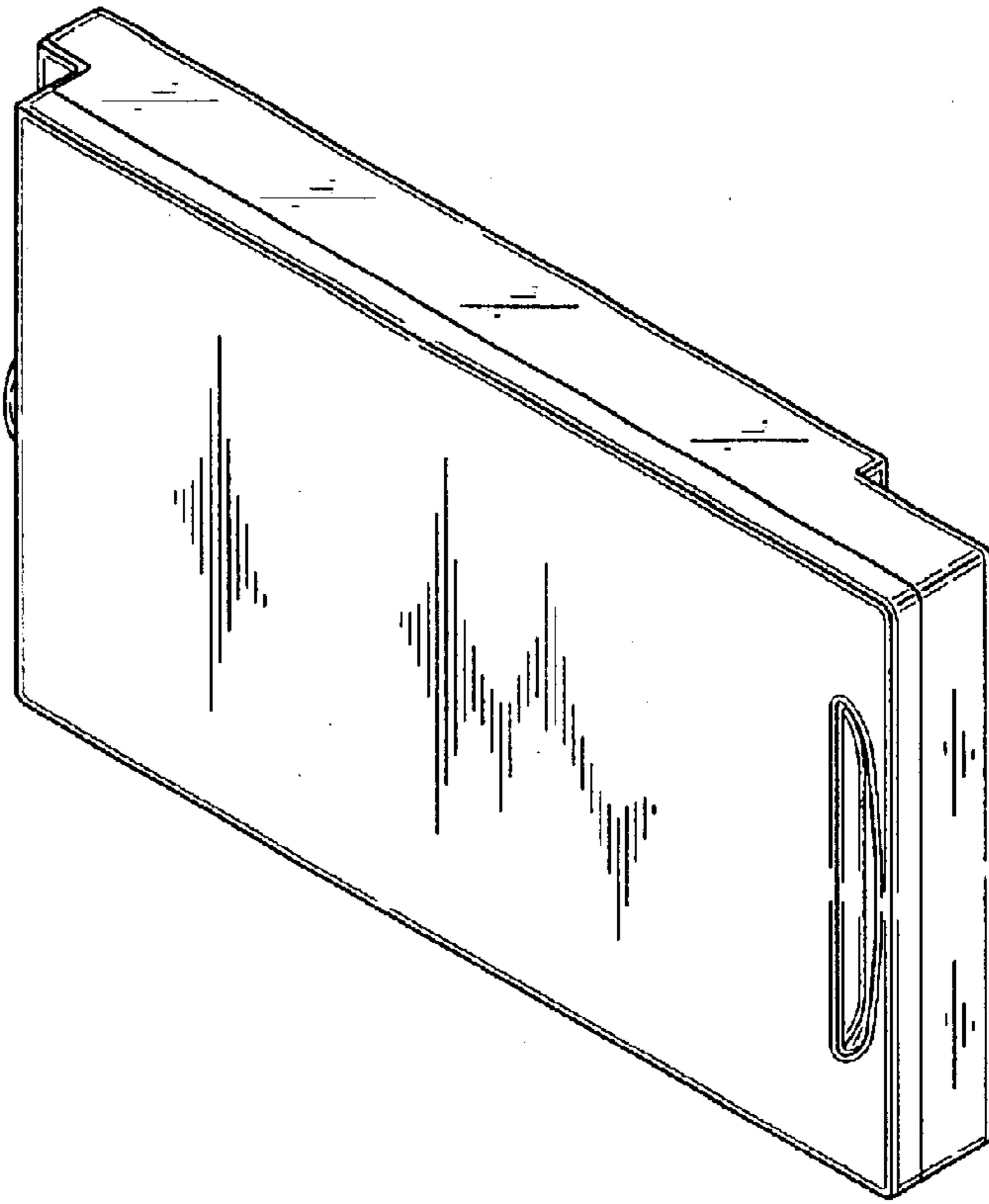
**DESCRIPTION**

FIG. 1 is a top, front and right side perspective view of an ink cartridge for printer showing my new design;  
FIG. 2 is a rear, bottom and left side perspective view thereof;  
FIG. 3 is a front view thereof;  
FIG. 4 is a rear view thereof;  
FIG. 5 is a top plan view thereof;  
FIG. 6 is a bottom plan view thereof;  
FIG. 7 is a right side view thereof; and,  
FIG. 8 is a left side view thereof.

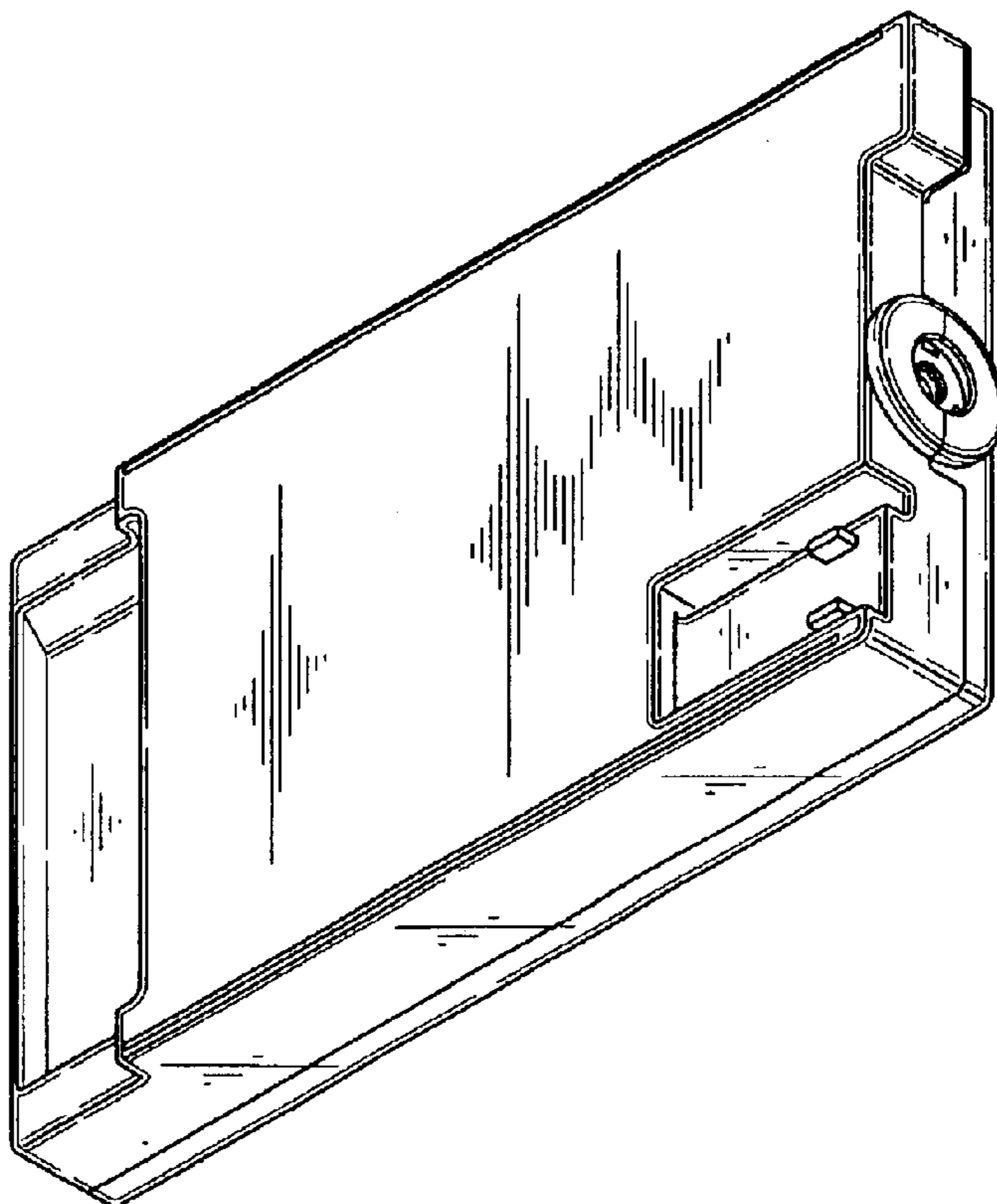
**1 Claim, 3 Drawing Sheets**



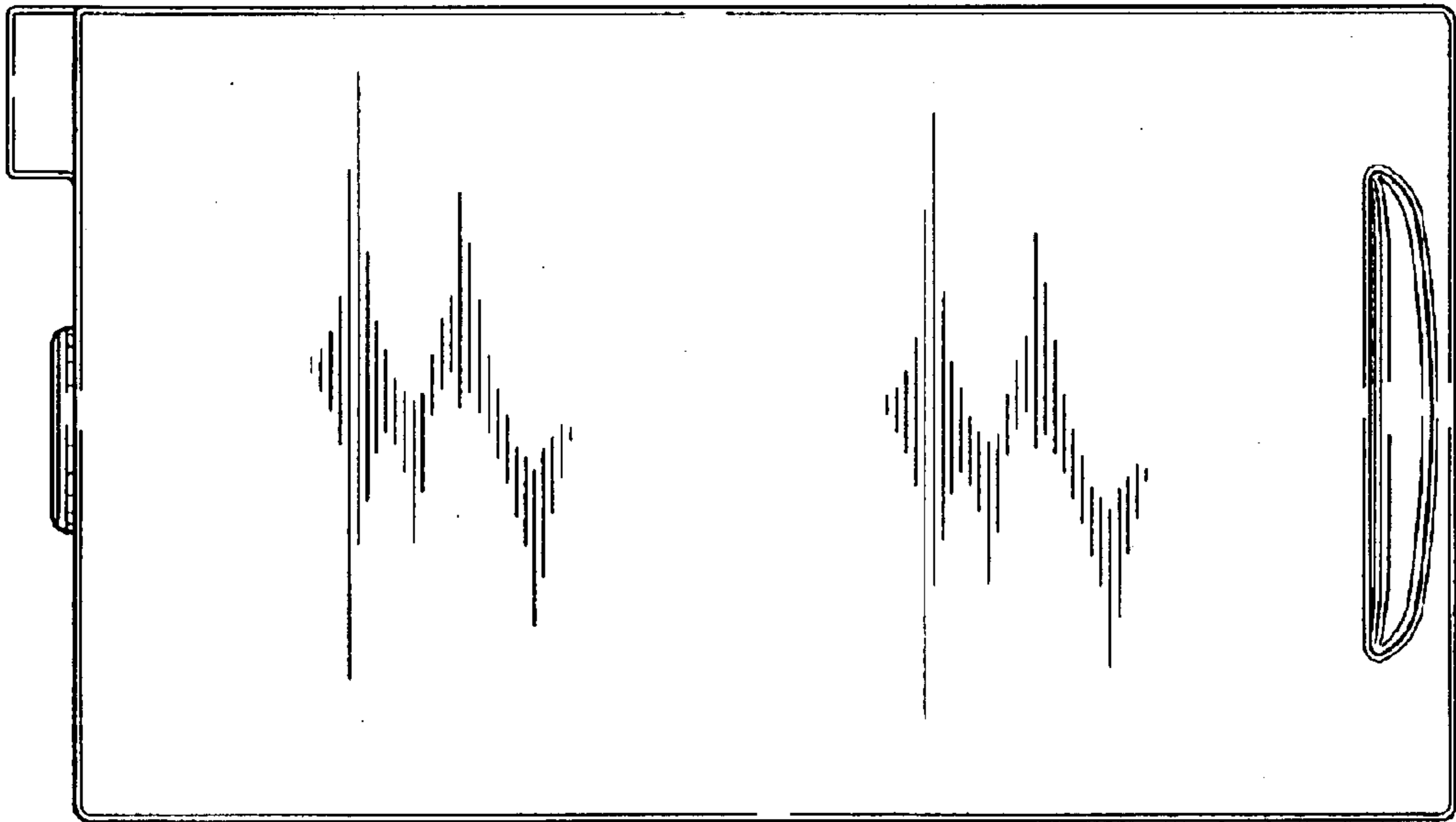
*FIG. 1*



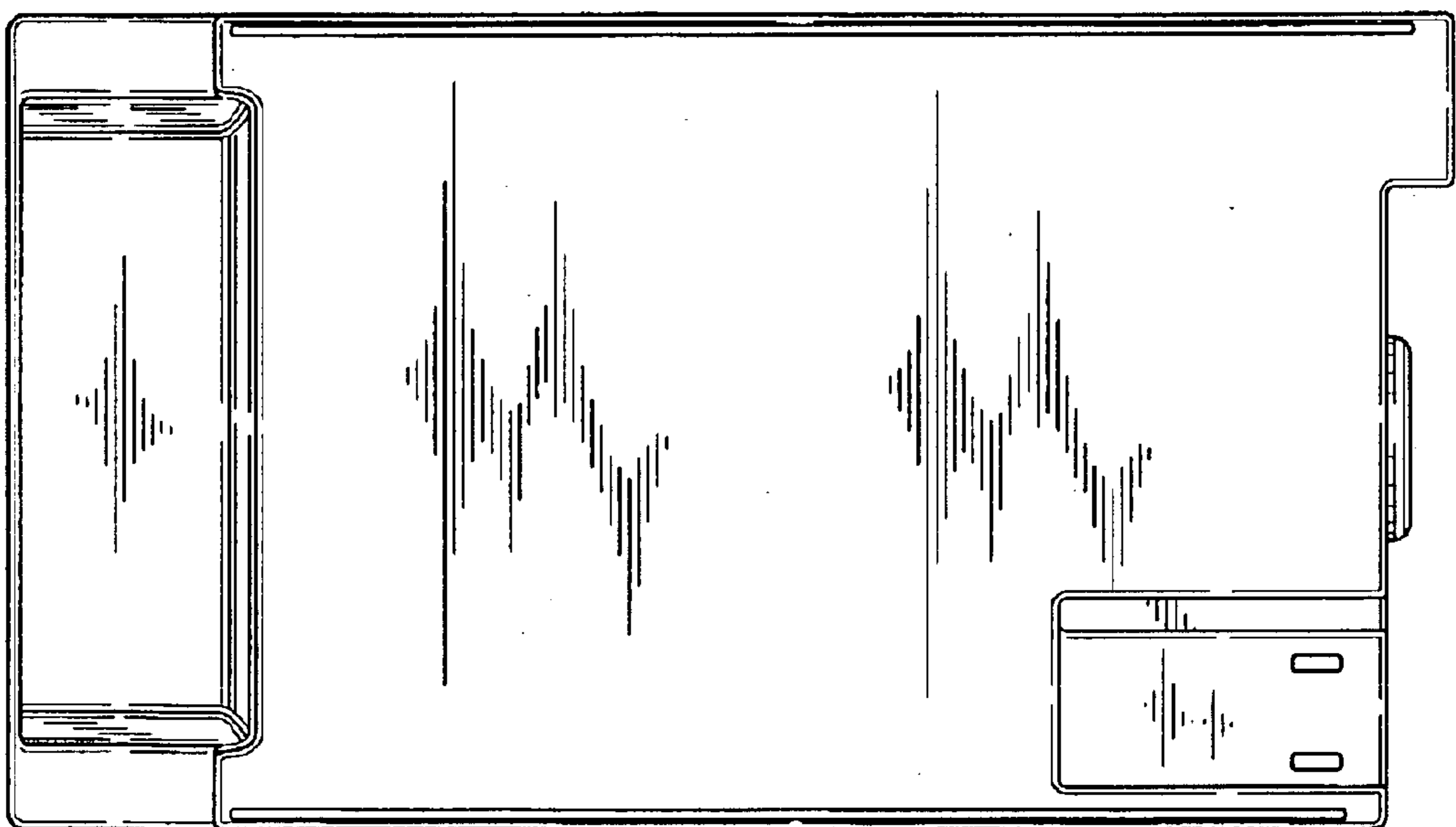
*FIG. 2*



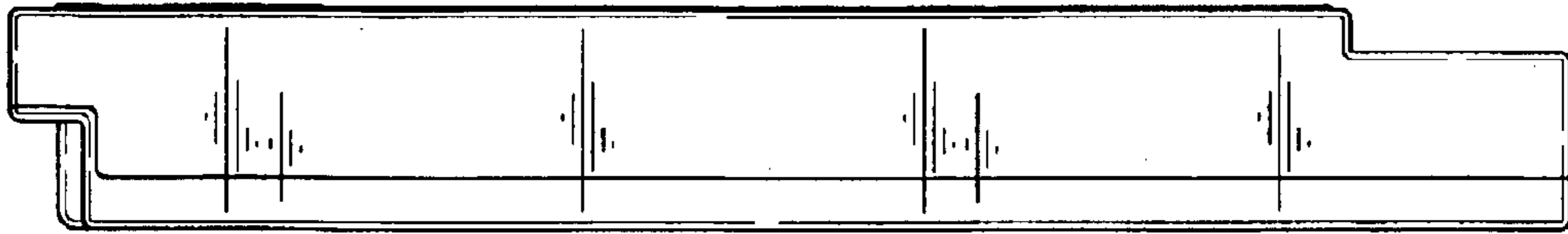
*FIG. 3*



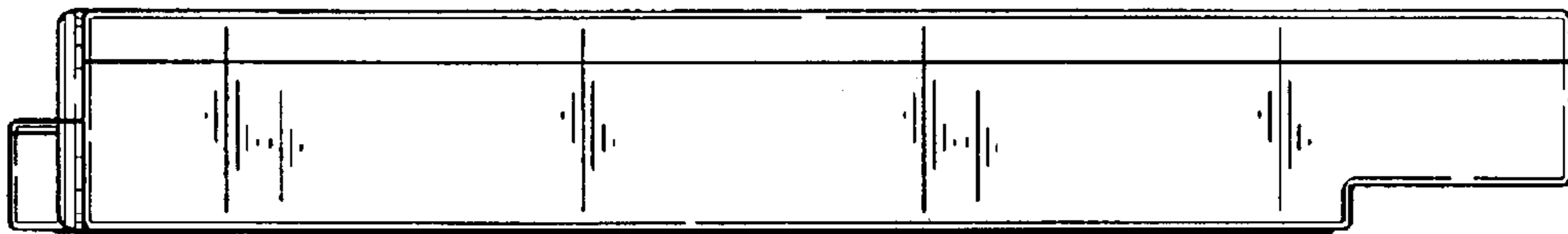
*FIG. 4*



*FIG. 5*



*FIG. 6*



*FIG. 7*



*FIG. 8*

