



US00D489756S

(12) **United States Design Patent**  
**Matsumoto et al.**

(10) **Patent No.:** **US D489,756 S**

(45) **Date of Patent:** **\*\* May 11, 2004**

(54) **INK CARTRIDGE FOR PRINTER**

D477,020 S \* 7/2003 Seino ..... D18/56

(75) Inventors: **Hitoshi Matsumoto**, Suwa (JP); **Ikuo Masujima**, Suwa (JP)

\* cited by examiner

(73) Assignee: **Seiko Epson Corporation**, Tokyo (JP)

*Primary Examiner*—Caron D. Veynar  
(74) *Attorney, Agent, or Firm*—Stroock & Stroock & Lavan LLP

(\*\*) Term: **14 Years**

(57) **CLAIM**

(21) Appl. No.: **29/180,767**

The ornamental design for an ink cartridge for printer, as shown and described.

(22) Filed: **Apr. 29, 2003**

**DESCRIPTION**

(51) **LOC (7) Cl.** ..... **18-02**

(52) **U.S. Cl.** ..... **D18/56**

(58) **Field of Search** ..... D18/40, 43, 56,  
D18/12; 347/49, 86, 87, 101, 214; 399/110,  
111, 114, 119, 120, 259, 262

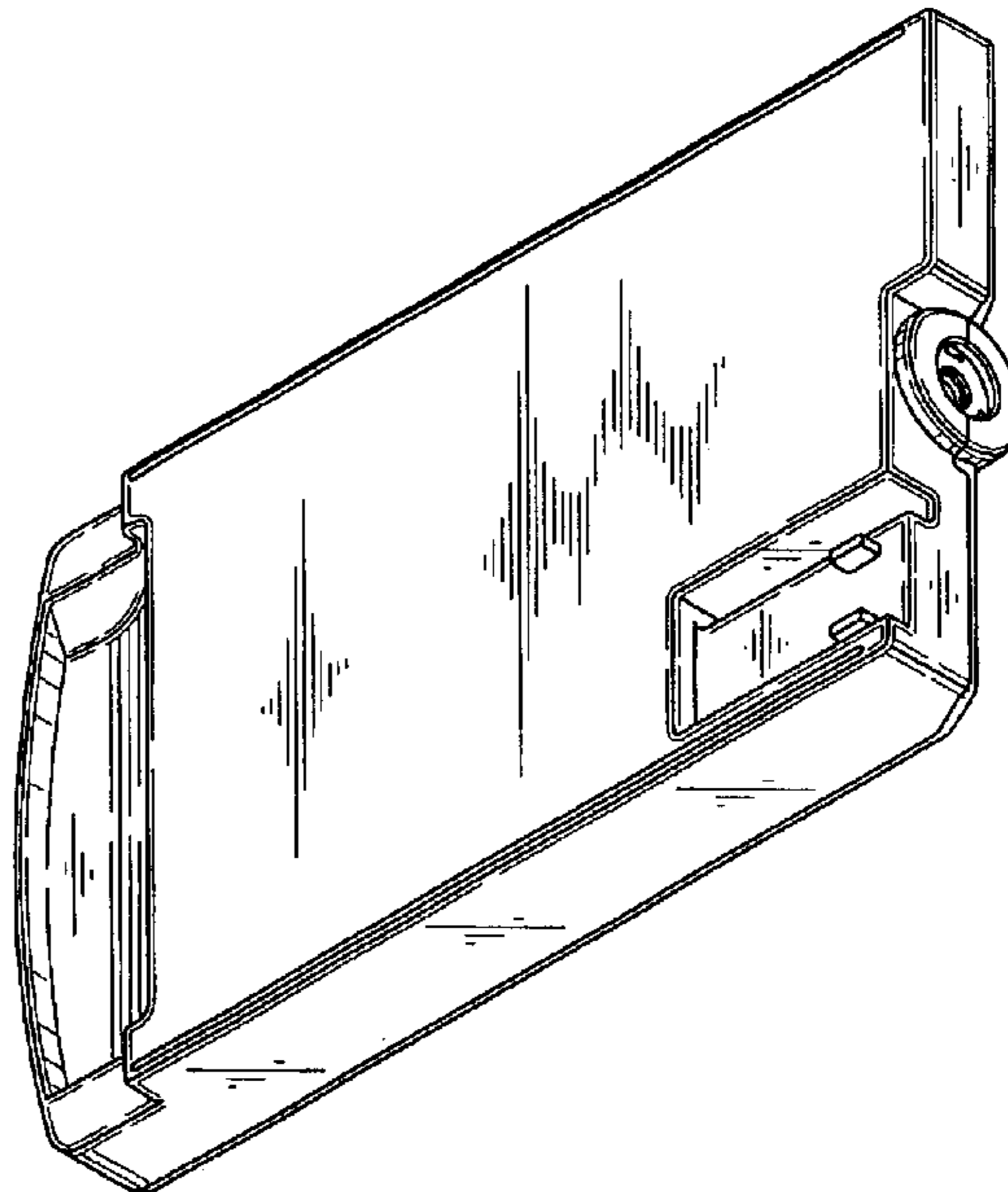
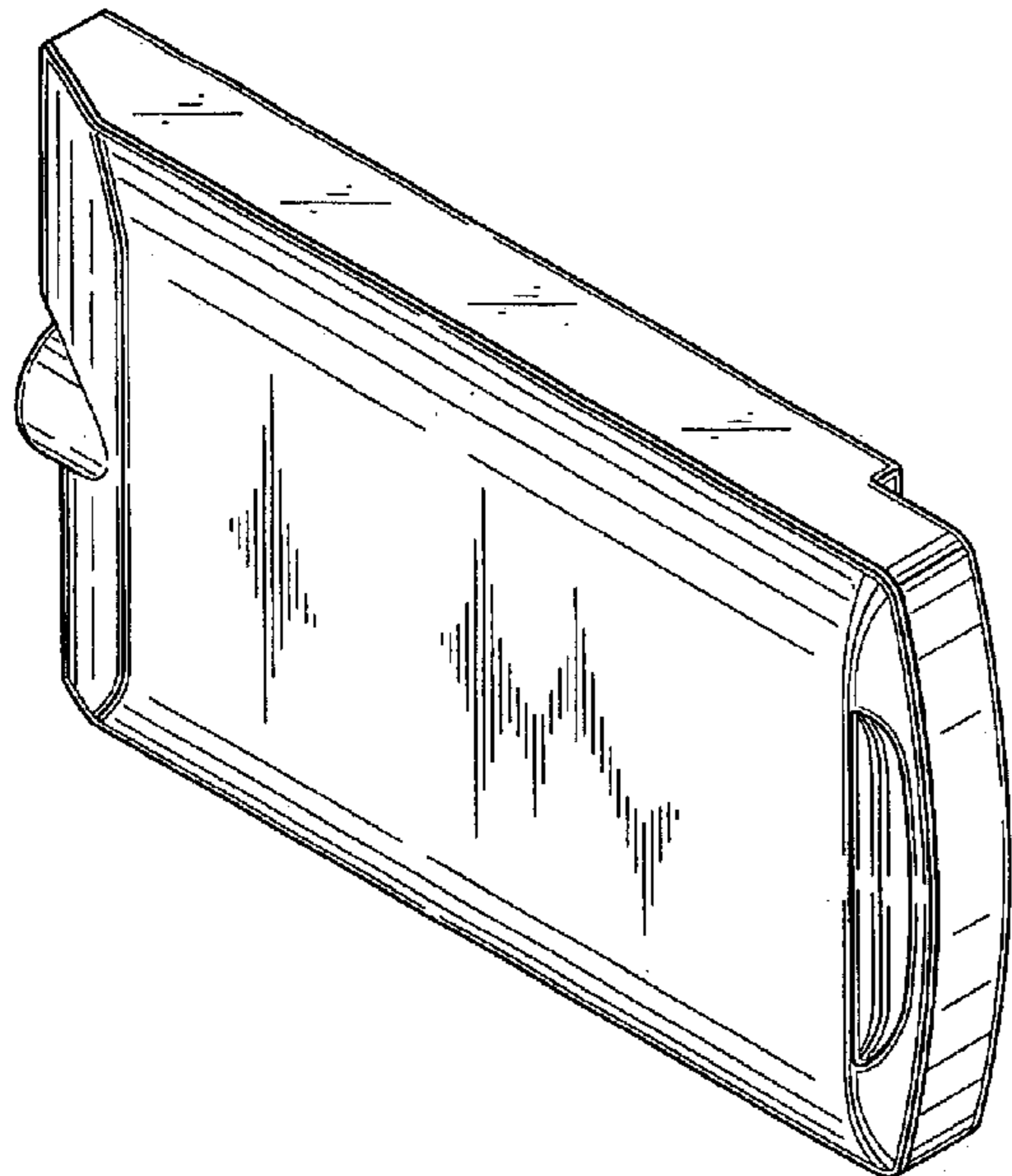
FIG. 1 is a top, front and right side perspective view of an ink cartridge for printer showing our new design;  
FIG. 2 is a rear, bottom and left side perspective view thereof;  
FIG. 3 is a front view thereof;  
FIG. 4 is a rear view thereof;  
FIG. 5 is a top plan view thereof;  
FIG. 6 is a bottom plan view thereof;  
FIG. 7 is a right side view thereof; and,  
FIG. 8 is a left side view thereof.

(56) **References Cited**

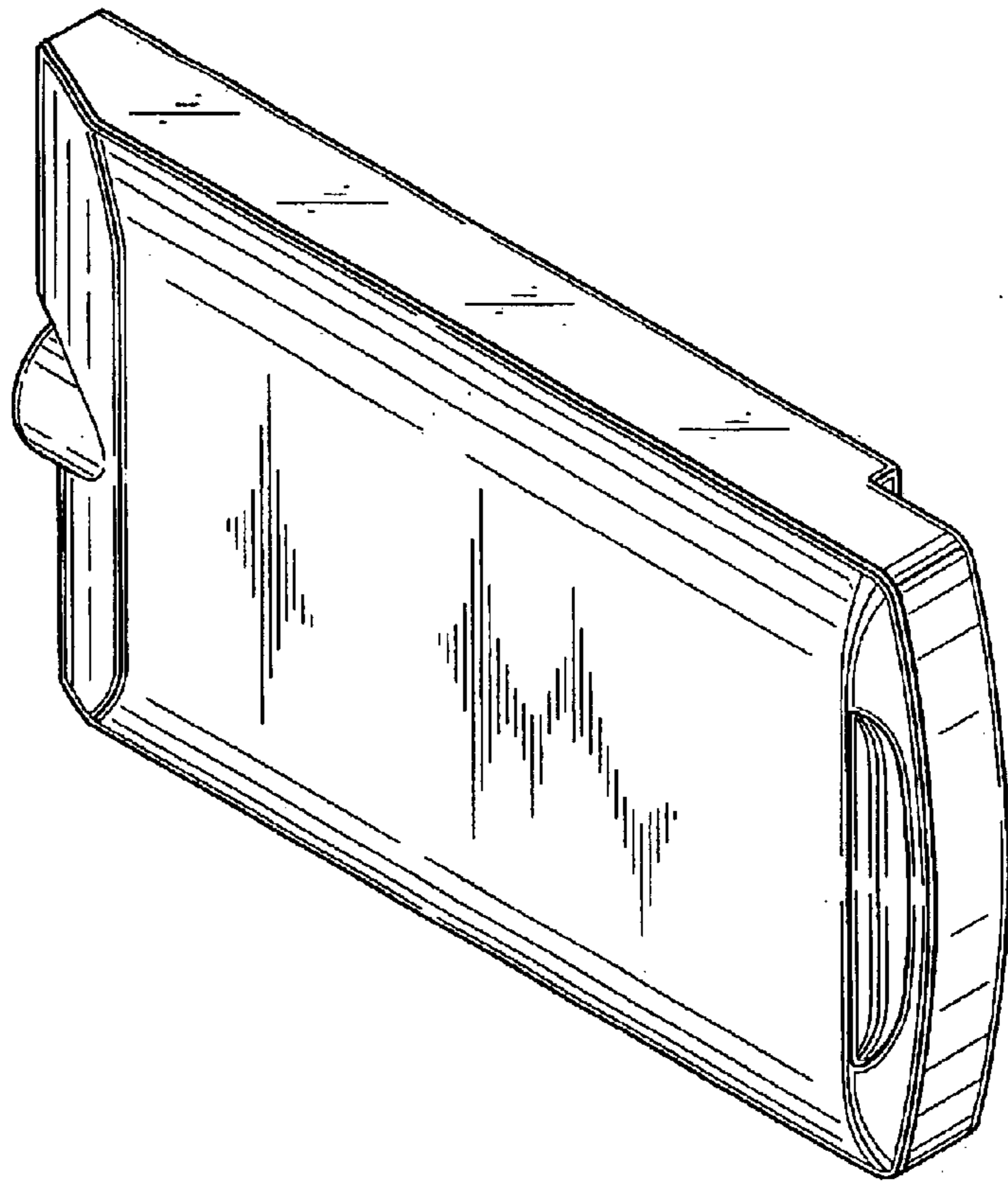
**U.S. PATENT DOCUMENTS**

- D379,638 S \* 6/1997 Cruden et al. .... D18/56
- D447,513 S \* 9/2001 Miyazawa et al. .... D18/56
- D464,672 S \* 10/2002 Shinano et al. .... D18/56
- D467,964 S \* 12/2002 Shinano et al. .... D18/56

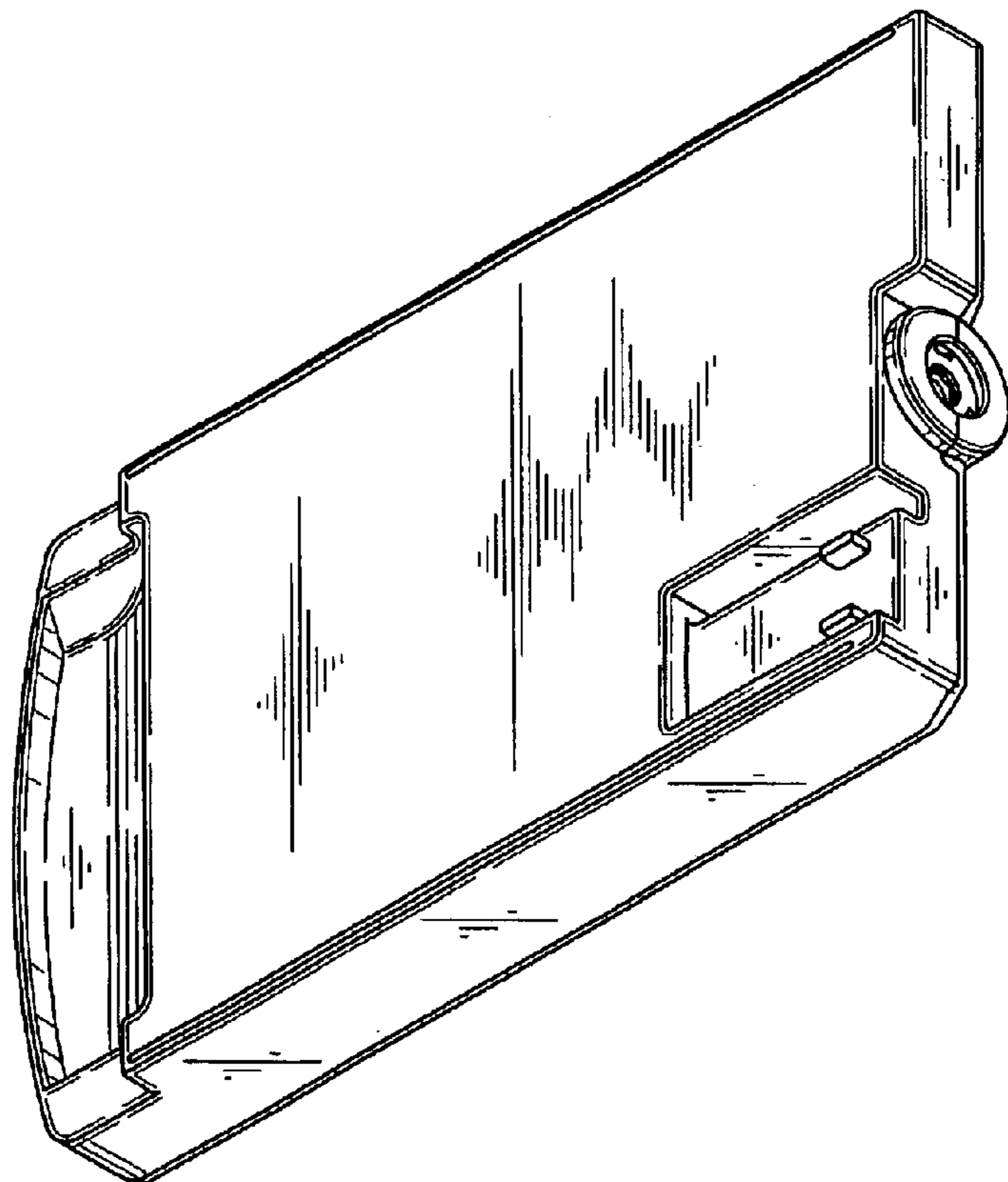
**1 Claim, 3 Drawing Sheets**



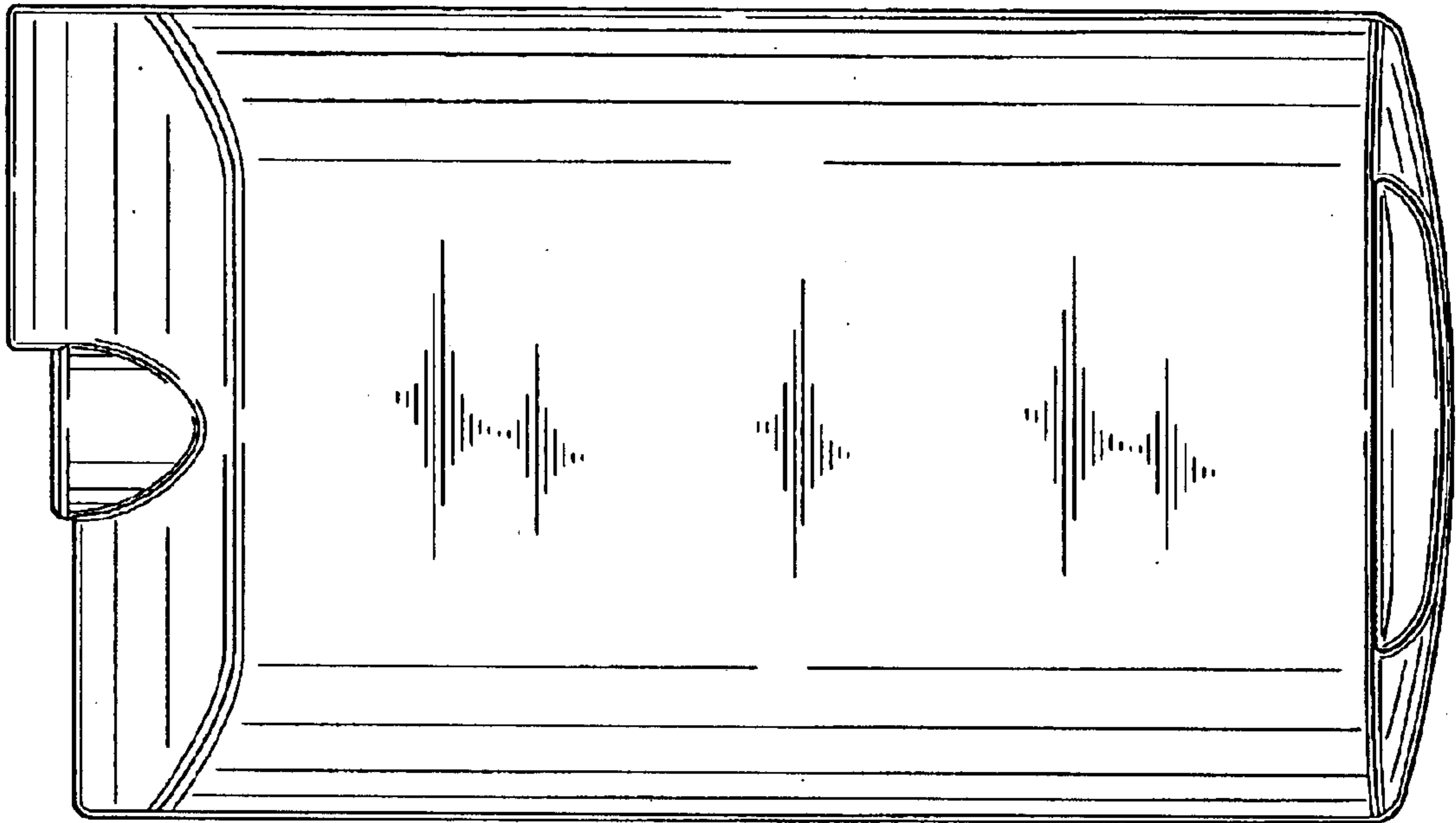
*FIG. 1*



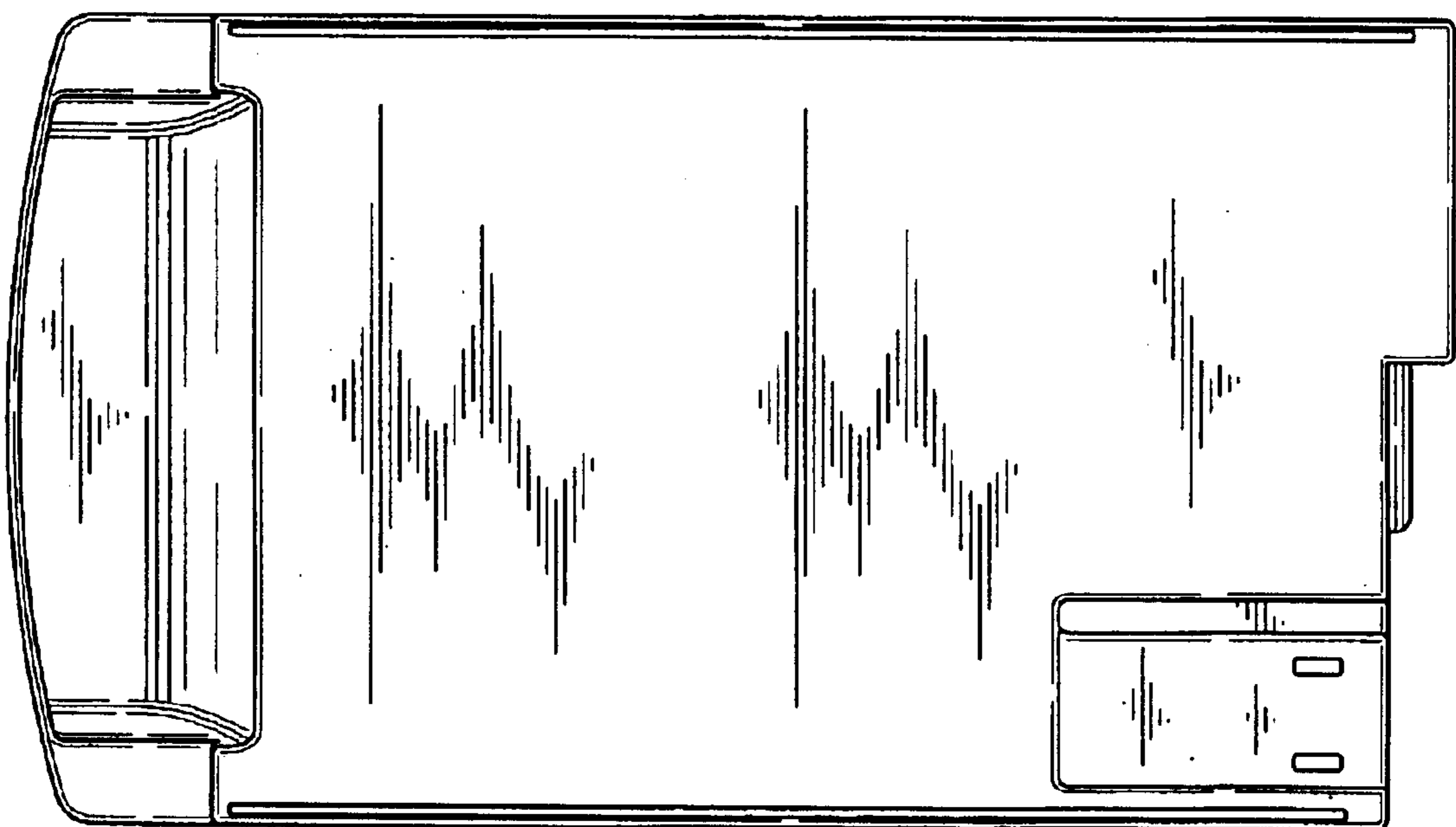
*FIG. 2*



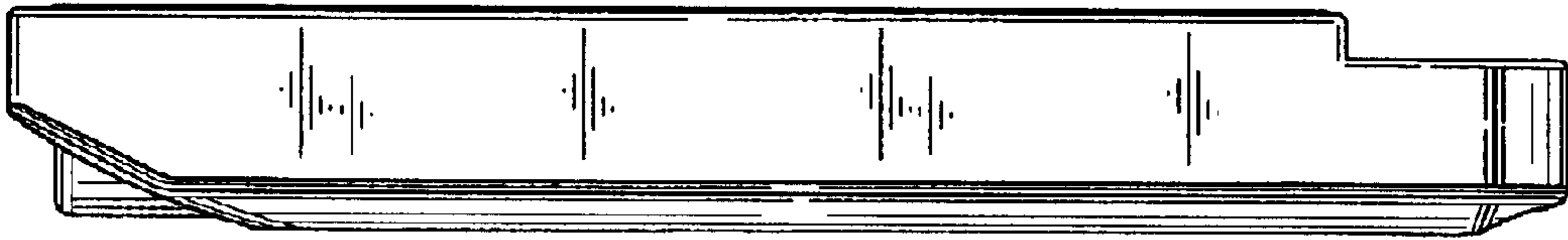
**FIG. 3**



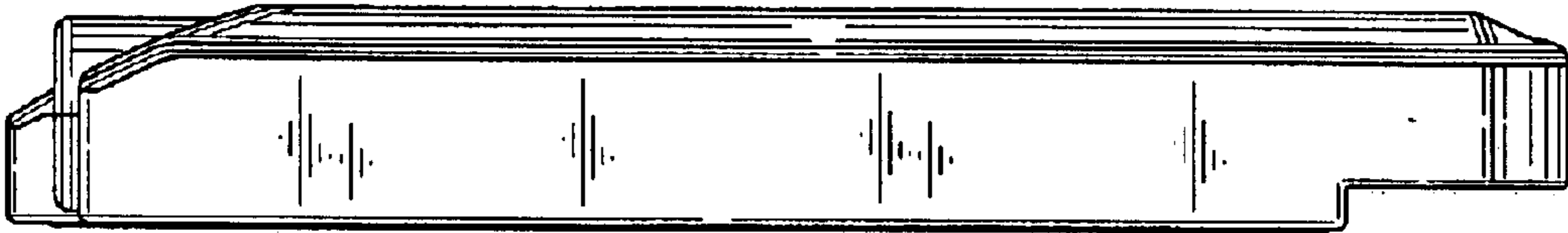
**FIG. 4**



**FIG. 5**



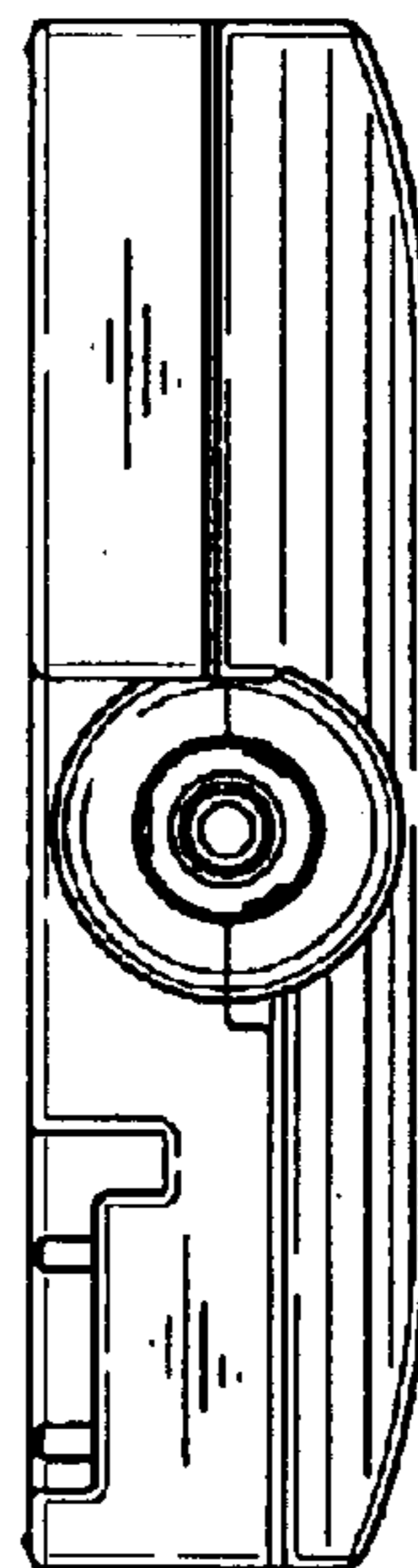
**FIG. 6**



**FIG. 7**



**FIG. 8**



UNITED STATES PATENT AND TRADEMARK OFFICE  
**CERTIFICATE OF CORRECTION**

PATENT NO. : Des. 489,756 S  
DATED : May 11, 2004  
INVENTOR(S) : Hitoshi Matsumoto and Ikuo Masujima

Page 1 of 1

It is certified that error appears in the above-identified patent and that said Letters Patent is hereby corrected as shown below:

Title page,

Insert Item:

-- [30] **Foreign Application Priority Data**  
October 29, 2002 [JP] 2002-029497 --.

Signed and Sealed this

Twenty-first Day of December, 2004

A handwritten signature in black ink that reads "Jon W. Dudas". The signature is written in a cursive style with a large, looped initial "J".

JON W. DUDAS  
*Director of the United States Patent and Trademark Office*