



US00D489755S

(12) **United States Design Patent**  
**Wong et al.**

(10) **Patent No.:** **US D489,755 S**  
(45) **Date of Patent:** **\*\* May 11, 2004**

(54) **INKJET PRINTER**

(75) Inventors: **Howard G. Wong**, Portland, OR (US);  
**Michael K. Bowen**, Vancouver, WA  
(US); **Jeffrey G. Bingham**, Vancouver,  
WA (US); **Daniel R. Dwyer**, Battle  
Ground, WA (US)

(73) Assignee: **Hewlett-Packard Development  
Company, LP.**, Houston, TX (US)

(\*\*) Term: **14 Years**

(21) Appl. No.: **29/168,245**

(22) Filed: **Sep. 26, 2002**

(51) **LOC (7) Cl.** ..... **14-02**

(52) **U.S. Cl.** ..... **D18/55**

(58) **Field of Search** ..... D18/50, 54-55,  
D18/36-39; D14/420-425, 462-470; 400/613,  
613.1-613.4, 691-694, 690.1-690.4

(56) **References Cited**

**U.S. PATENT DOCUMENTS**

D317,937 S	7/1991	Uchihori et al.	
D324,233 S	2/1992	Sawa et al.	
D324,539 S	3/1992	Sawa	
D349,922 S	8/1994	Tashiro	
D378,100 S	2/1997	Sekine	
D378,378 S	3/1997	Nakazawa et al.	
D378,926 S	* 4/1997	Dubson	..... D18/50
D385,296 S	10/1997	Iwai et al.	
D390,593 S	2/1998	Inoue	
D390,594 S	2/1998	Sekine	
D390,595 S	2/1998	Sekine	

D394,452 S	5/1998	Iwamoto et al.	
D400,571 S	11/1998	Shimizu	
D400,572 S	11/1998	Sekine et al.	
D424,102 S	5/2000	Igarashi	
D424,609 S	5/2000	Inoue et al.	
D425,552 S	5/2000	Kobayashi et al.	
D427,235 S	6/2000	Kaseno et al.	
D430,894 S	9/2000	Inoue	
D439,607 S	3/2001	Inoue et al.	
D440,247 S	4/2001	Takimoto et al.	
D441,394 S	5/2001	Kobayashi et al.	
D443,638 S	6/2001	Kobayashi et al.	
D459,389 S	* 6/2002	Kaseno	..... D18/50
D467,963 S	* 12/2002	Miyahara et al.	..... D18/54
D468,764 S	* 1/2003	Miyahara et al.	..... D18/54
D477,019 S	* 7/2003	Dwyer et al.	..... D18/55

\* cited by examiner

*Primary Examiner*—Cathy Anne MacCormac

(57) **CLAIM**

The ornamental design for an inkjet printer, substantially as shown.

**DESCRIPTION**

FIG. 1 is a perspective view of an inkjet printer, in accordance with the present invention;  
FIG. 2 is a front view thereof;  
FIG. 3 is a right side view thereof, the left side is a mirror image;  
FIG. 4 is a top view thereof;  
FIG. 5 is a rear view thereof; and,  
FIG. 6 is a bottom view thereof.

**1 Claim, 5 Drawing Sheets**

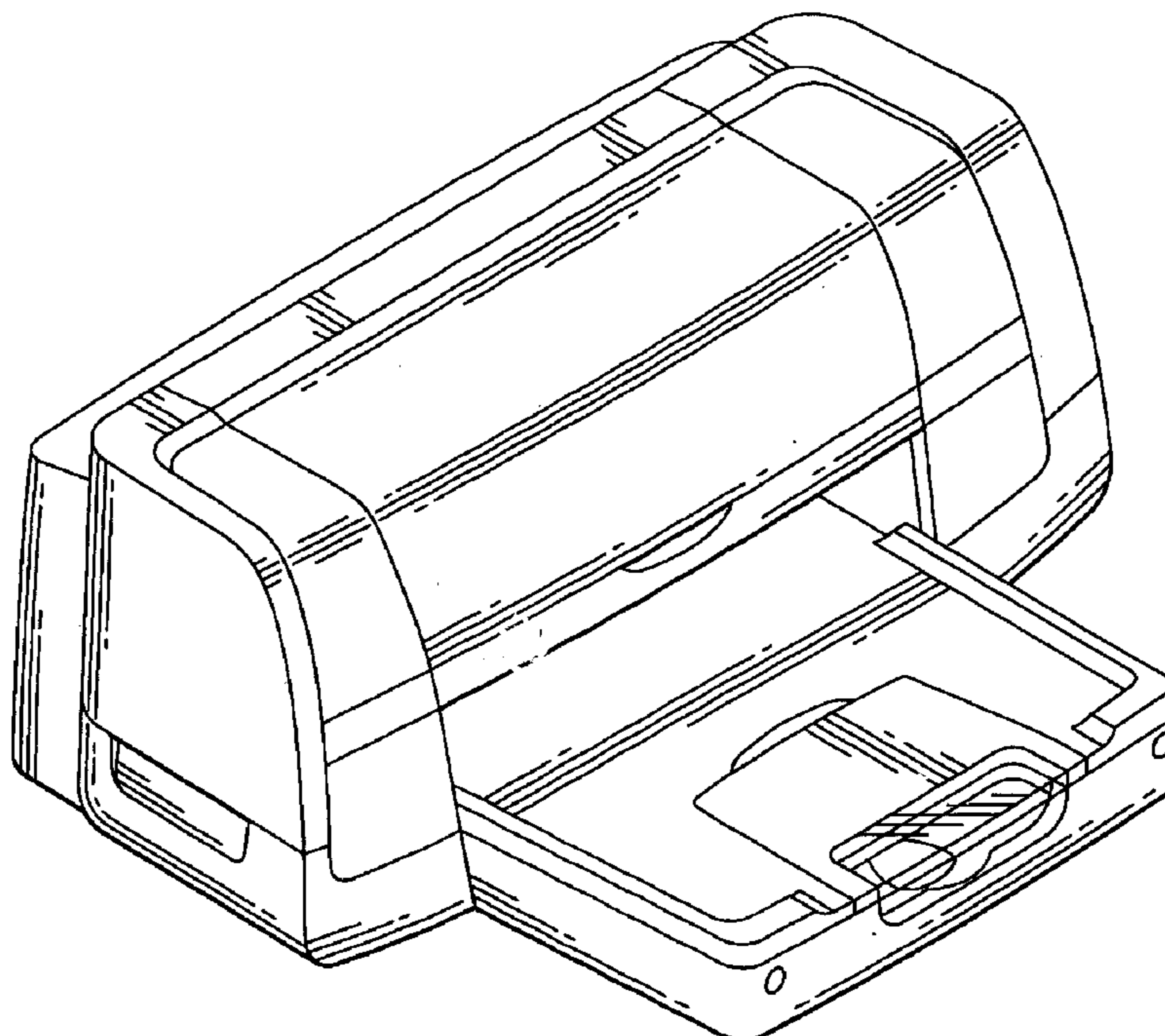
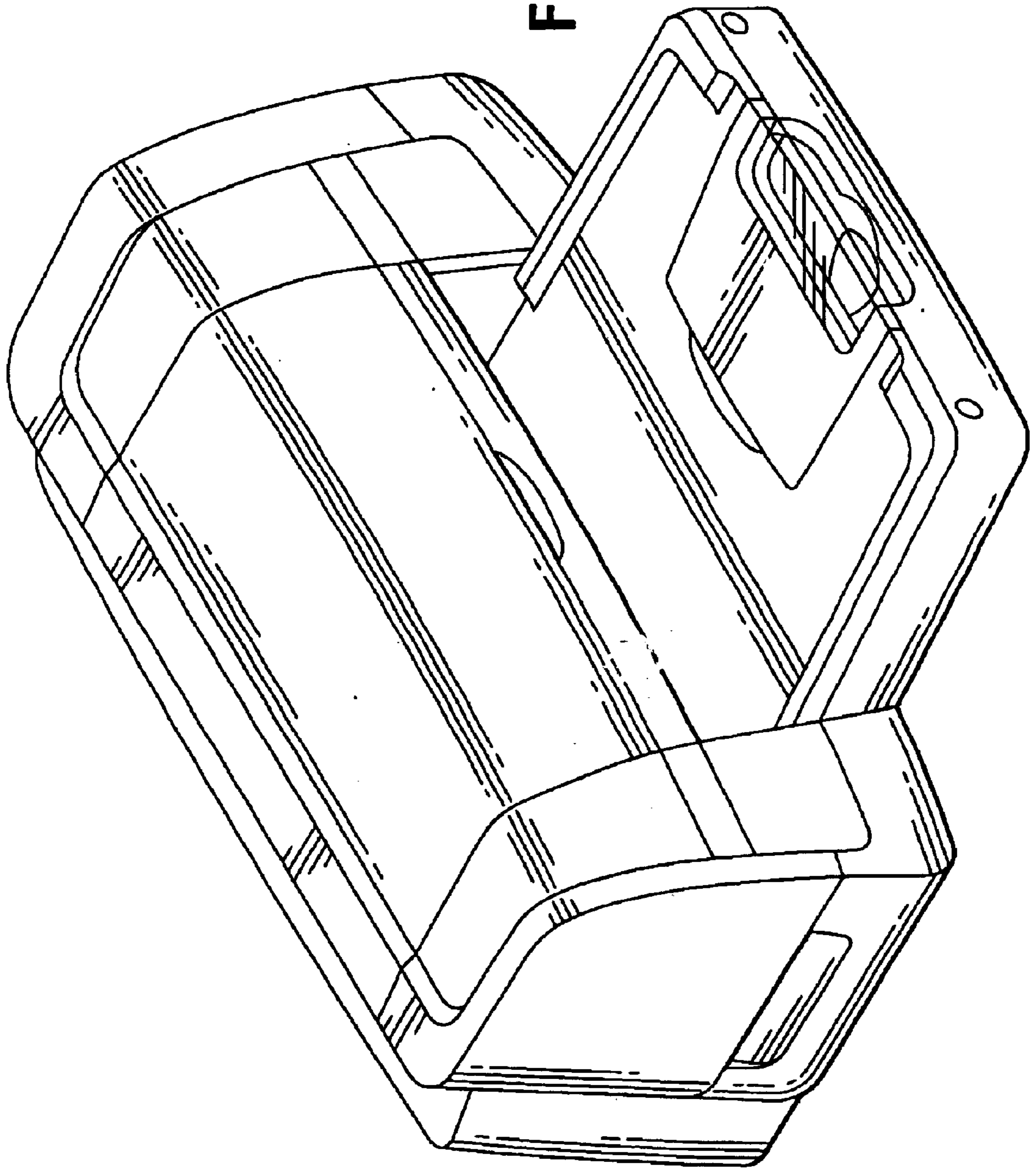


FIG.1



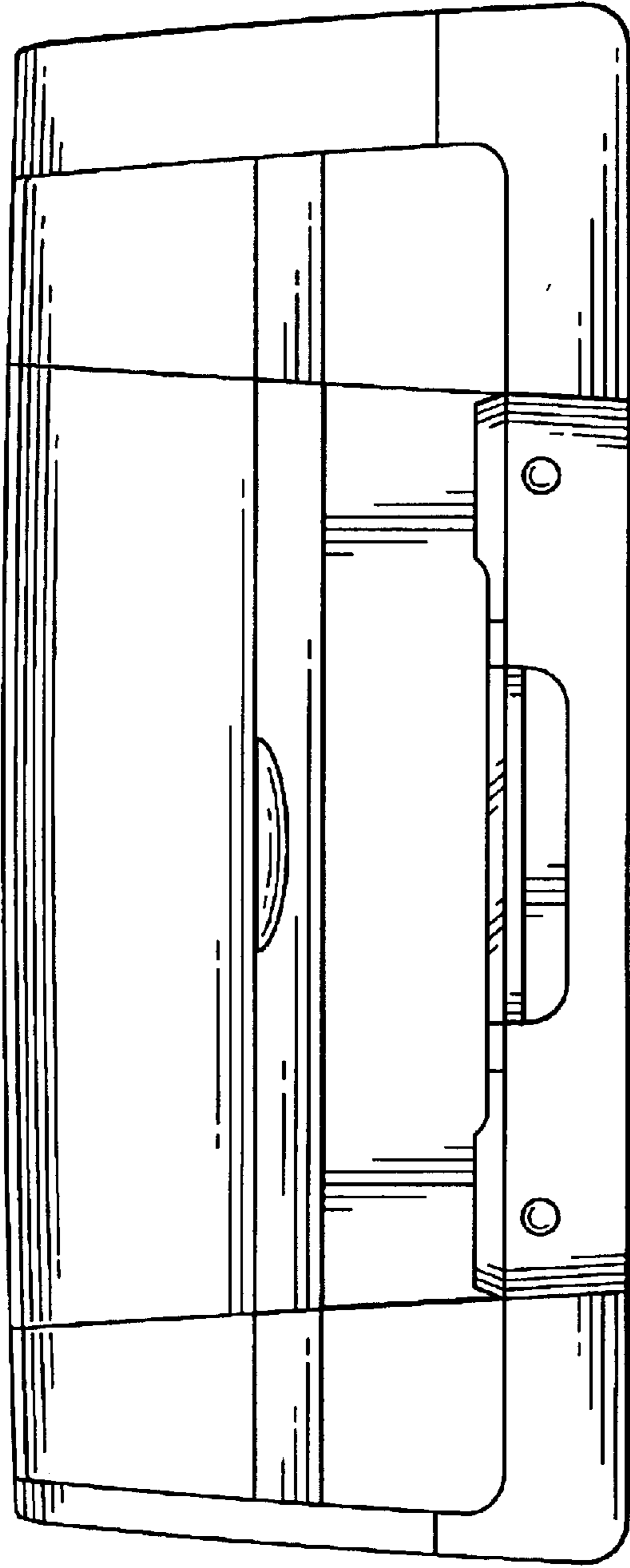


FIG. 2

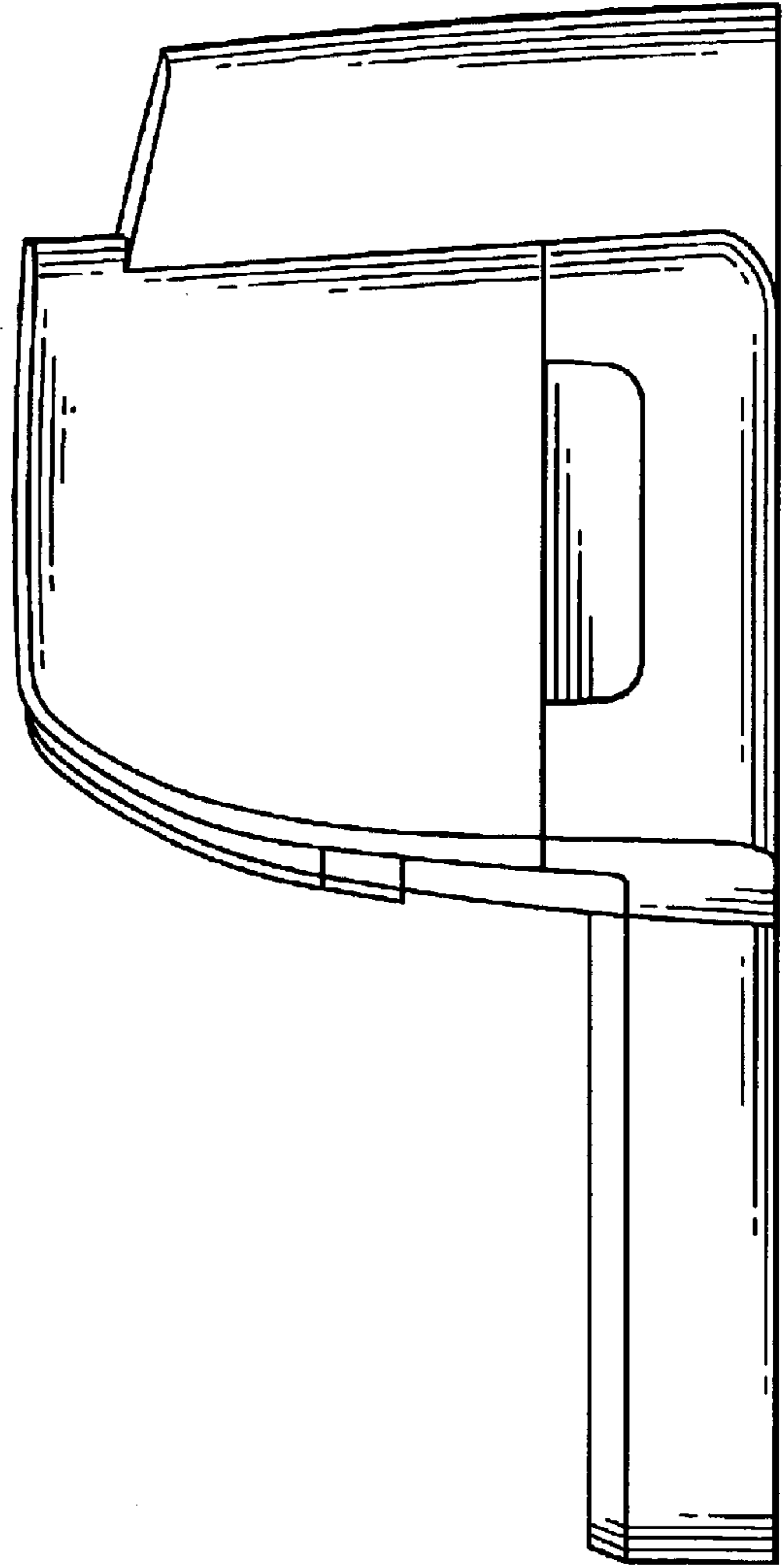


FIG. 3

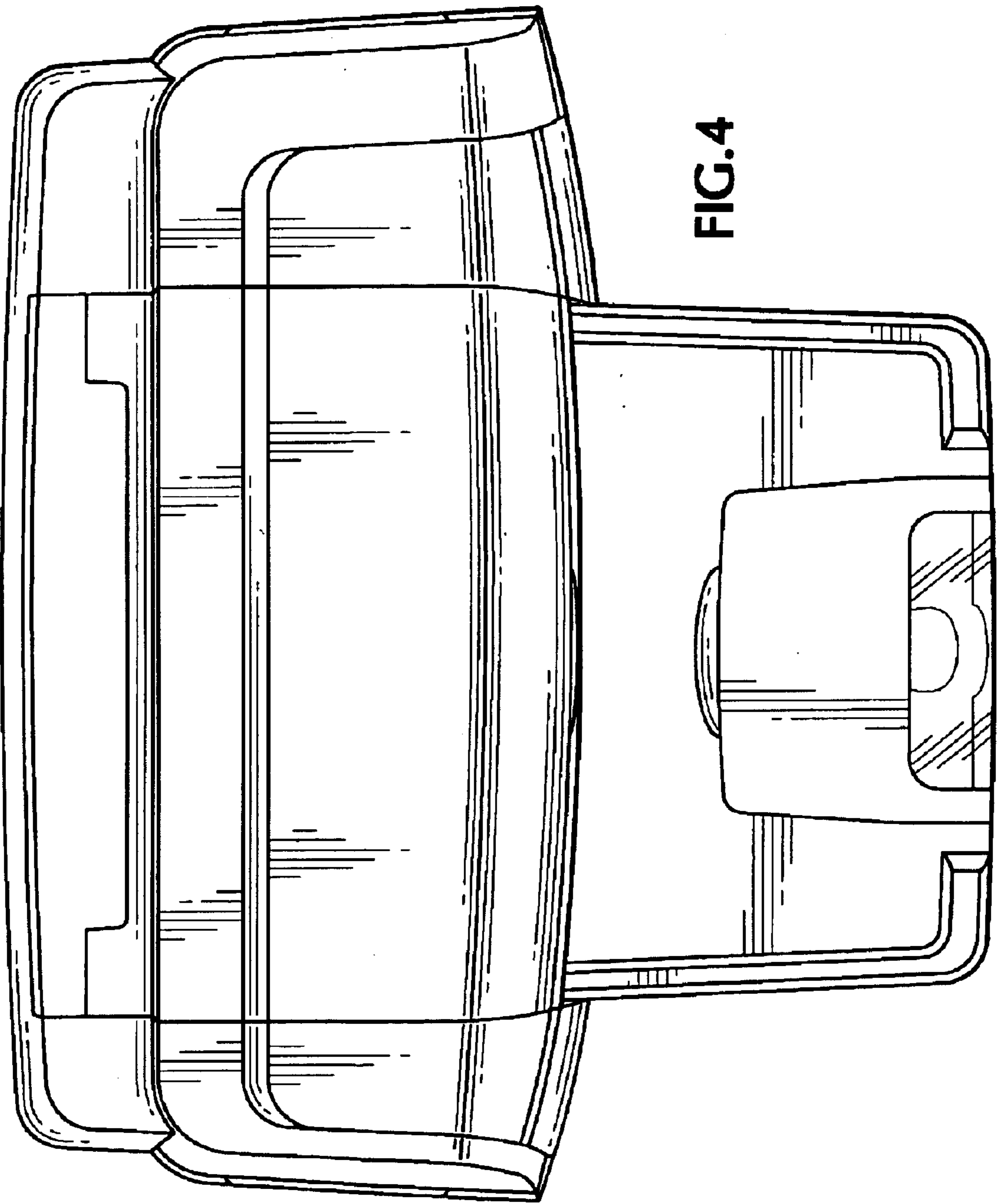


FIG.4

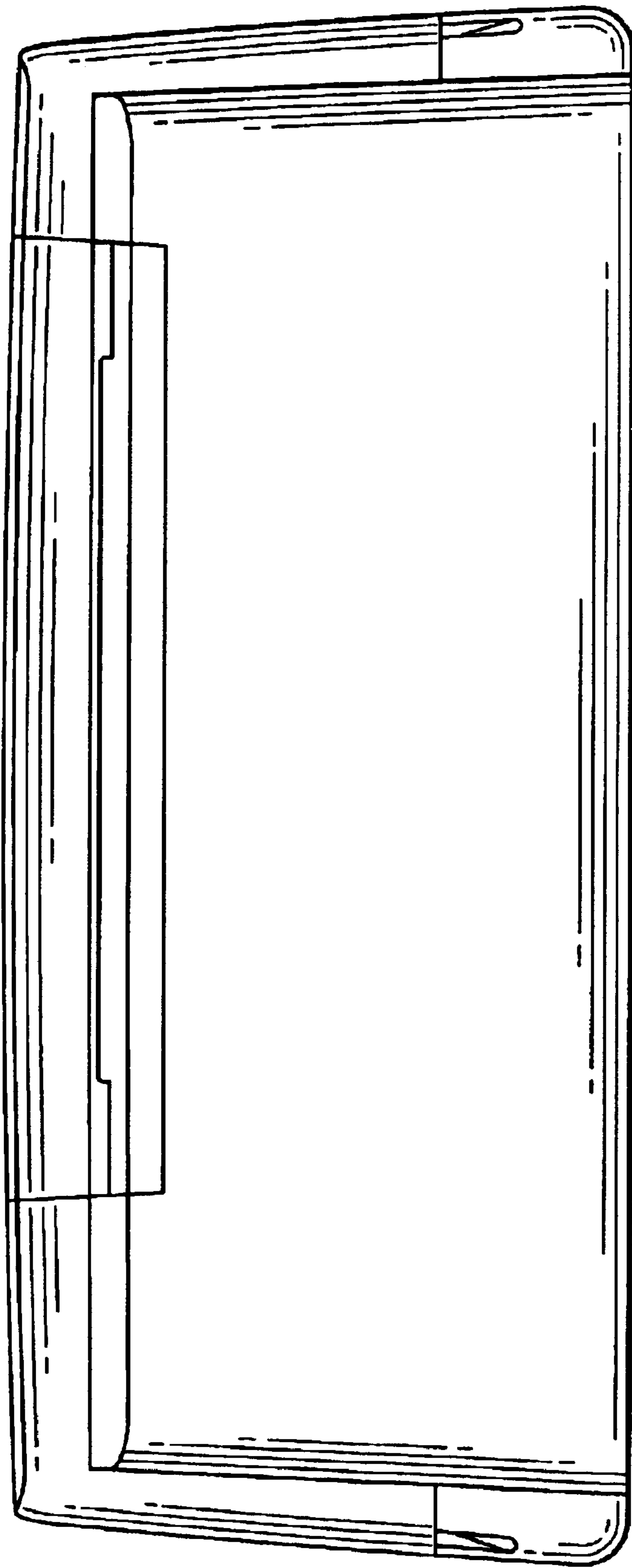


FIG.5

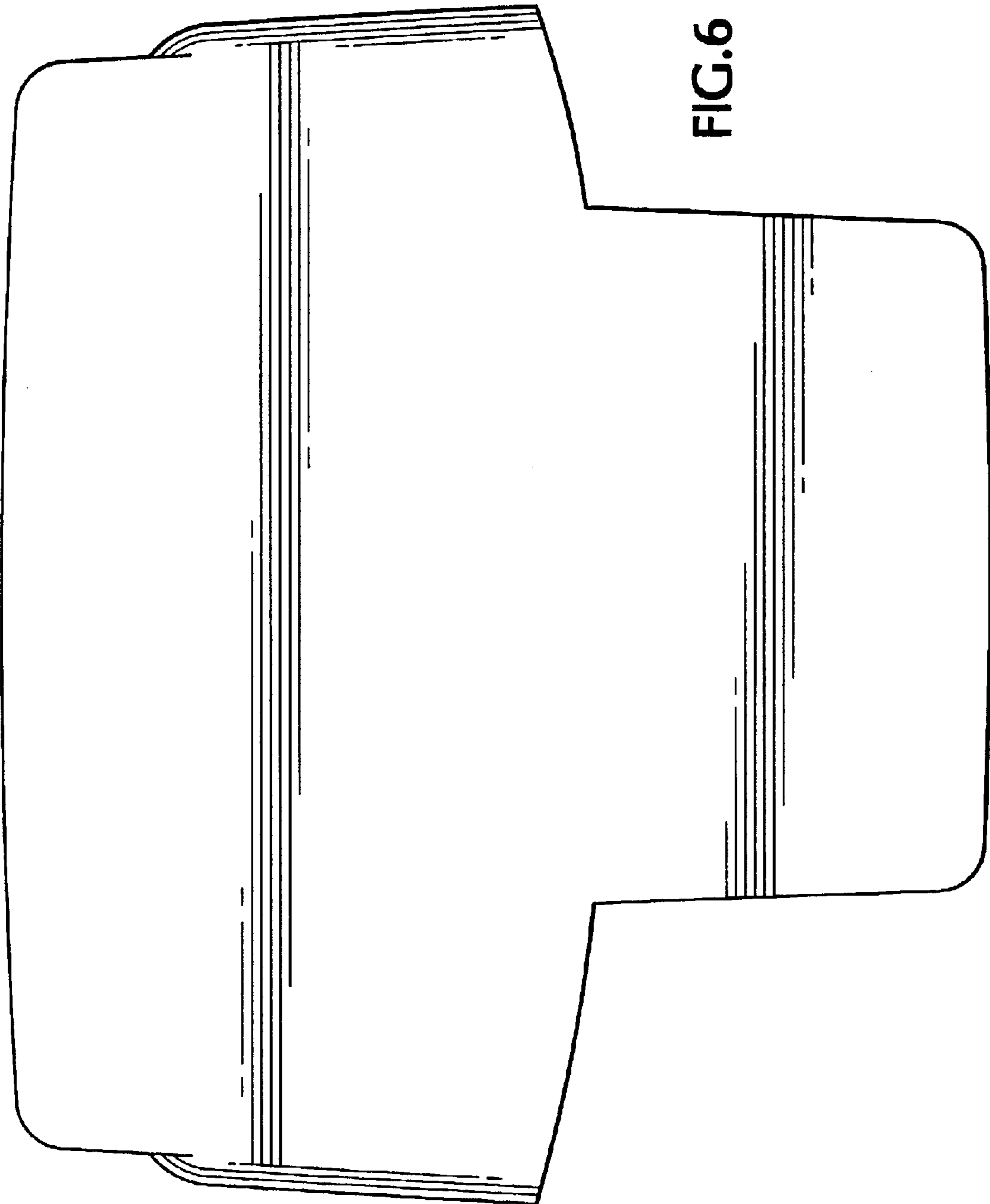


FIG. 6