



US00D489750S

(12) **United States Design Patent**
Chudnow

(10) **Patent No.:** **US D489,750 S**

(45) **Date of Patent:** **** May 11, 2004**

(54) **OBOE STAPLE**

OTHER PUBLICATIONS

(76) Inventor: **Mark D. Chudnow**, 5 Manchester Ct.,
Napa, CA (US) 94558

(**) Term: **14 Years**

(21) Appl. No.: **29/179,830**

(22) Filed: **Apr. 15, 2003**

(51) **LOC (7) Cl.** **17-02**

(52) **U.S. Cl.** **D17/13**

(58) **Field of Search** D17/10, 13, 99;
84/380 A, 386, 453, 470 R, 380 R, 380 C,
465, 398; D21/411; D6/495; 984/141, 143

(56) **References Cited**

U.S. PATENT DOCUMENTS

1,176,513 A *	3/1916	George	254/130
1,666,228 A *	4/1928	Wolfe	84/398
2,594,869 A *	4/1952	Cauffman	84/398
2,798,402 A *	7/1957	Zottola	84/398
2,830,483 A *	4/1958	Saylor et al.	84/398
2,917,964 A *	12/1959	Cassinelli	84/398
4,378,724 A *	4/1983	Lamart	84/465
4,572,257 A	2/1986	Laker	144/115
D358,161 S *	5/1995	Kubala	D17/13
6,034,312 A	3/2000	Lubell et al.	84/384
D467,608 S *	12/2002	Hilliard	D17/13

www.daviecane.com, 1 pg—top right of page = Oboe Staple—Mark Chudnow Staples. Printed from internet on Dec. 12, 2003.*

www.oboetube.com, 6 pages, “Nissen Tube”, printed from internet on Dec. 12, 2003.*

* cited by examiner

Primary Examiner—Ruth McInroy

(74) *Attorney, Agent, or Firm*—Sheppard, Mullin, Richters & Hampton LLP

(57) **CLAIM**

I claim the ornamental design for an oboe staple, as shown and described.

DESCRIPTION

FIG. 1 is a top perspective view of an oboe staple showing my new design;

FIG. 2 is a bottom perspective view thereof;

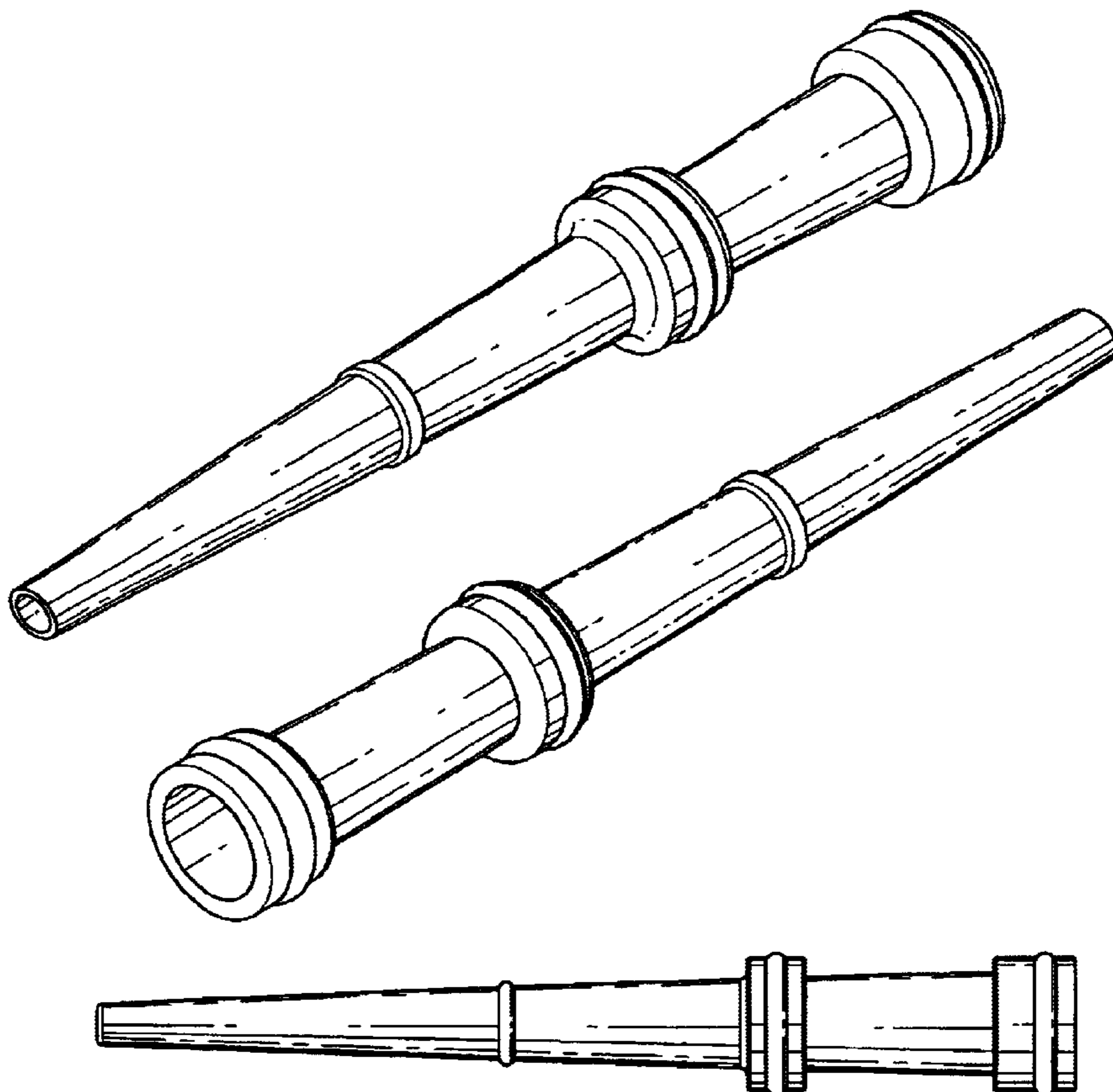
FIG. 3 is a right side elevational view thereof, the left side being identical;

FIG. 4 is a front elevational view thereof, the rear view being identical;

FIG. 5 is a top plan view thereof; and,

FIG. 6 is a bottom plan view thereof.

1 Claim, 1 Drawing Sheet



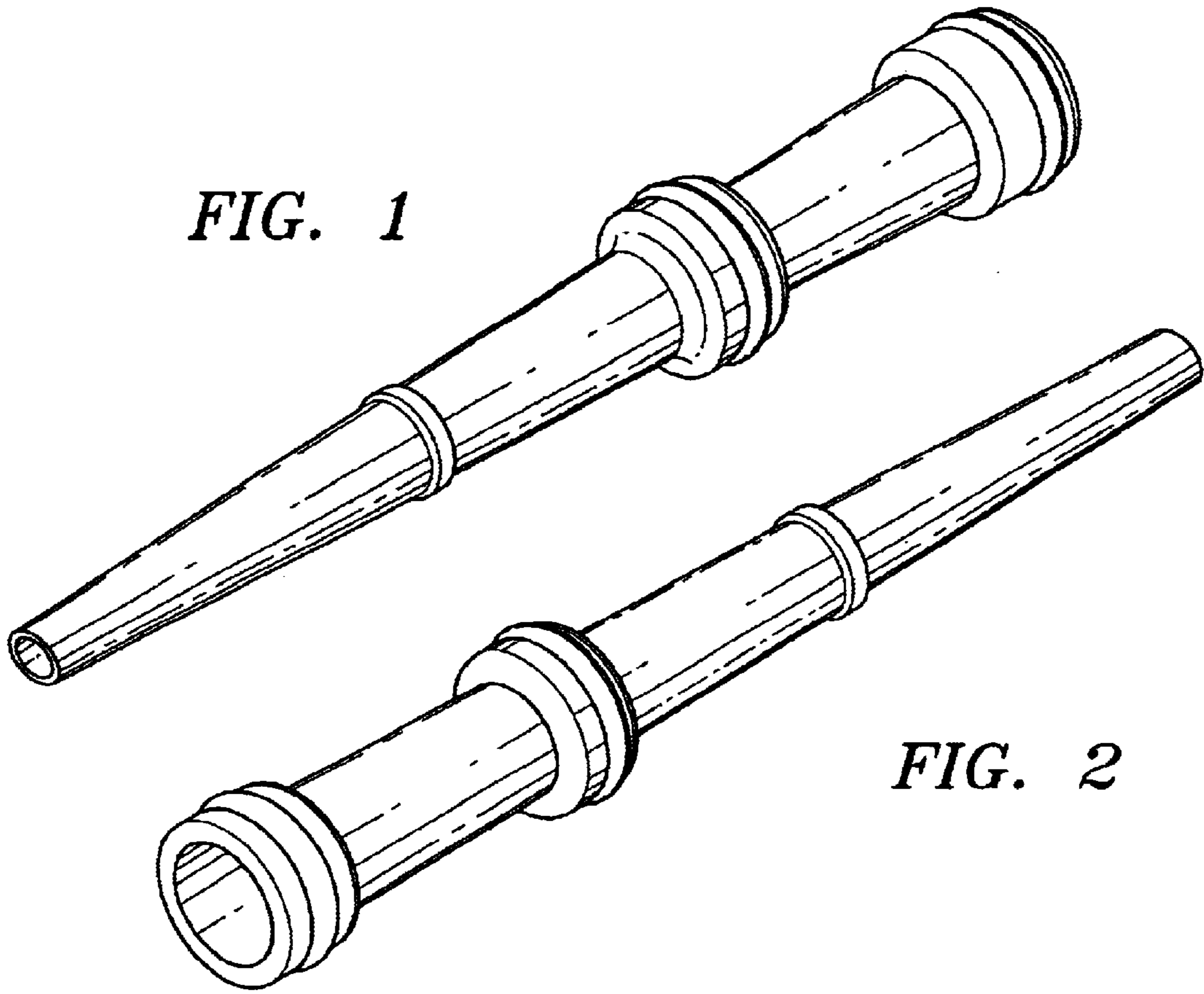


FIG. 1

FIG. 2

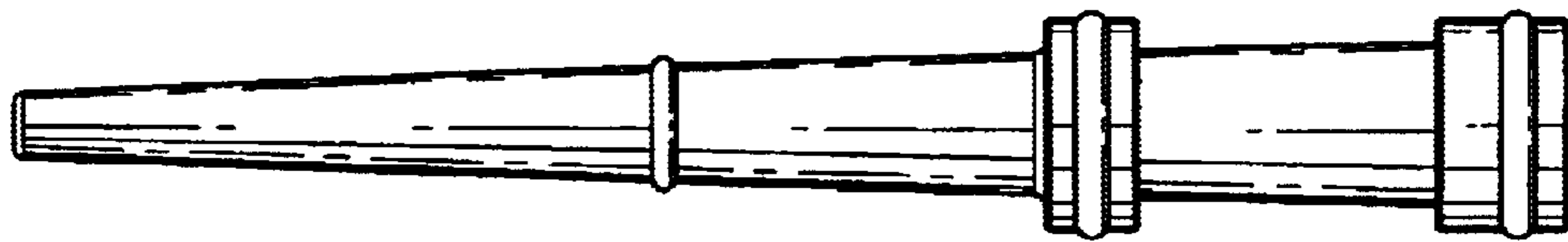


FIG. 3

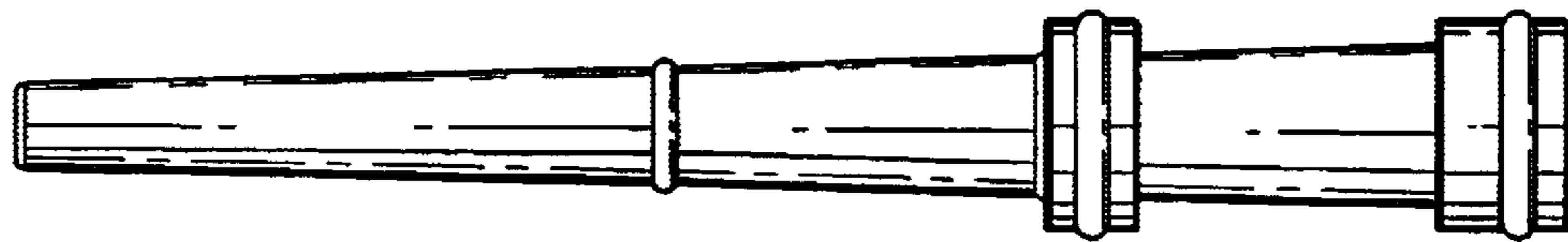


FIG. 4

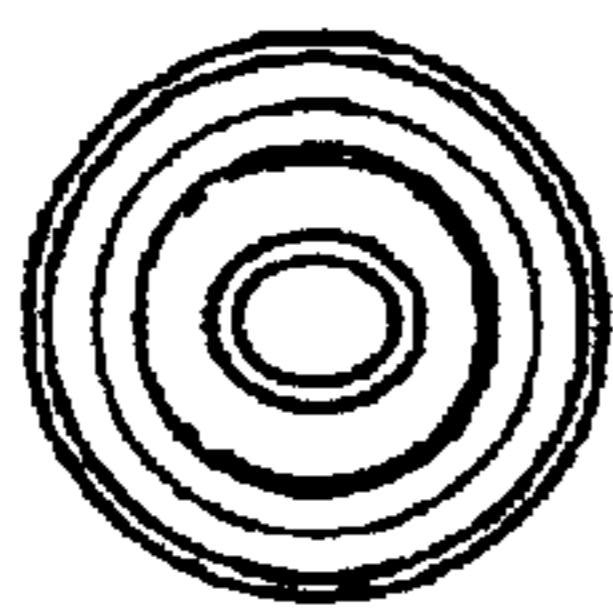


FIG. 5

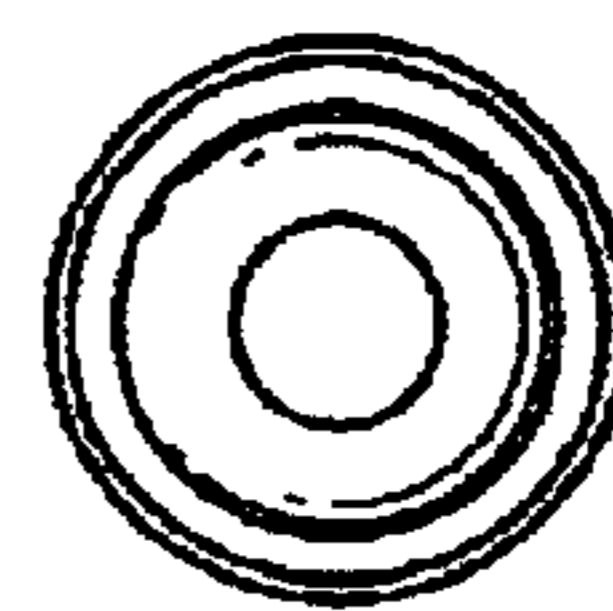


FIG. 6