



US00D489748S

(12) **United States Design Patent**  
**McKay**

(10) **Patent No.:** **US D489,748 S**

(45) **Date of Patent:** **\*\* May 11, 2004**

(54) **REMOTE CONTROL DEVICE FOR A CAMERA**

*Primary Examiner—Adir Aronovich*

(74) *Attorney, Agent, or Firm—Jacobson Holman PLLC*

(76) **Inventor:** **Thomas L. McKay**, P.O. Box 201990,  
Austin, TX (US) 78720

(57) **CLAIM**

The ornamental design for a remote control device for a camera, as shown and described.

(\*\*) **Term:** **14 Years**

**DESCRIPTION**

(21) **Appl. No.:** **29/162,358**

FIG. 1 is a top plan view of a remote control device for a camera showing a first embodiment of my new design.

(22) **Filed:** **Jun. 17, 2002**

FIG. 2 is a bottom plan view of the remote control device of FIG. 1.

(51) **LOC (7) Cl.** ..... **16-05**

(52) **U.S. Cl.** ..... **D16/237; D13/168**

(58) **Field of Search** ..... **D13/168, 164;**  
**D14/218; D16/237; 340/825.69, 825.72;**  
**396/56, 59**

FIG. 3 is a front view of the remote control device of FIG. 1.

FIG. 4 is a rear view of the remote control device of FIG. 1.

(56) **References Cited**

**U.S. PATENT DOCUMENTS**

D186,074 S	*	9/1959	Bentsen	.....	D13/168
D186,172 S	*	9/1959	Seymour	.....	D14/218
D192,468 S	*	3/1962	Sundberg et al.	.....	D13/168
D207,652 S	*	5/1967	Horowitz	.....	D14/218
D223,549 S	*	5/1972	Vinson	.....	D16/237
D358,152 S	*	5/1995	Ito et al.	.....	D14/218

FIG. 5 is a right side view of the remote control device of FIG. 1.

FIG. 6 is a left side view of the remote control device of FIG. 1; and,

FIG. 7 is a perspective view of the remote control device of FIG. 1.

The broken line showing of a connection cord and connector in FIGS. 1-3 and 5-7 is for illustrative purposes only and forms no part of the claimed design.

\* cited by examiner

**1 Claim, 4 Drawing Sheets**

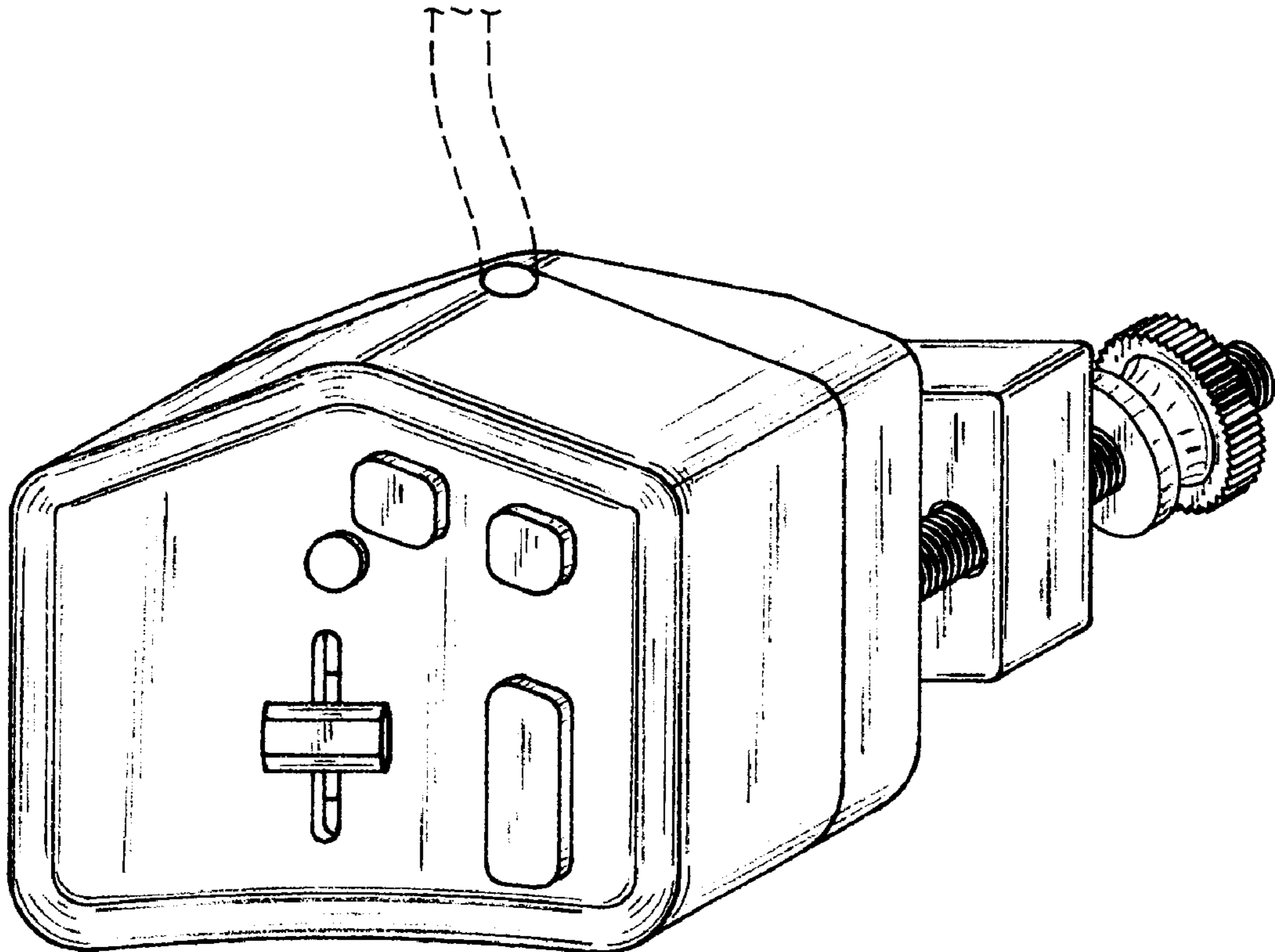


FIG. 1

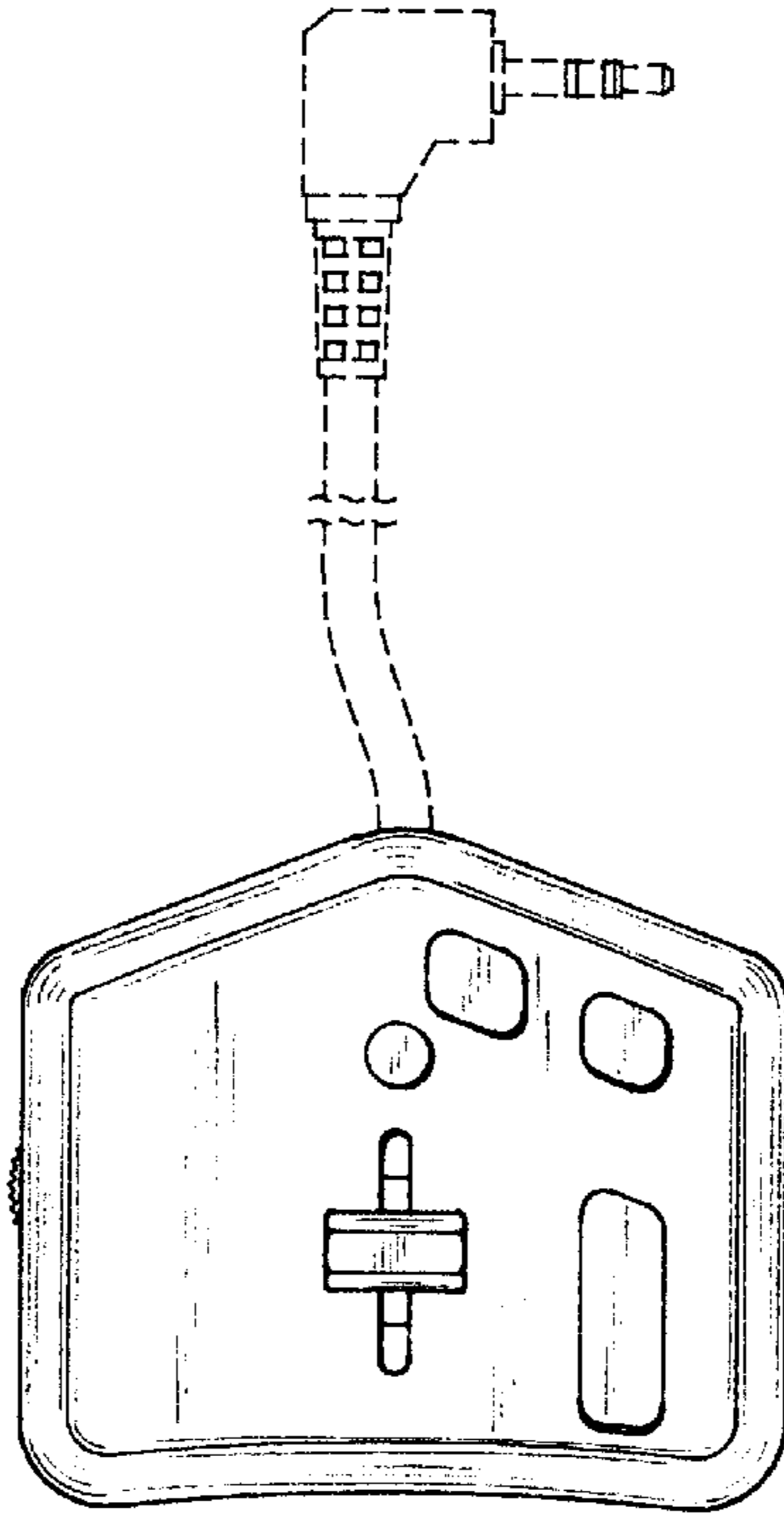


FIG. 2

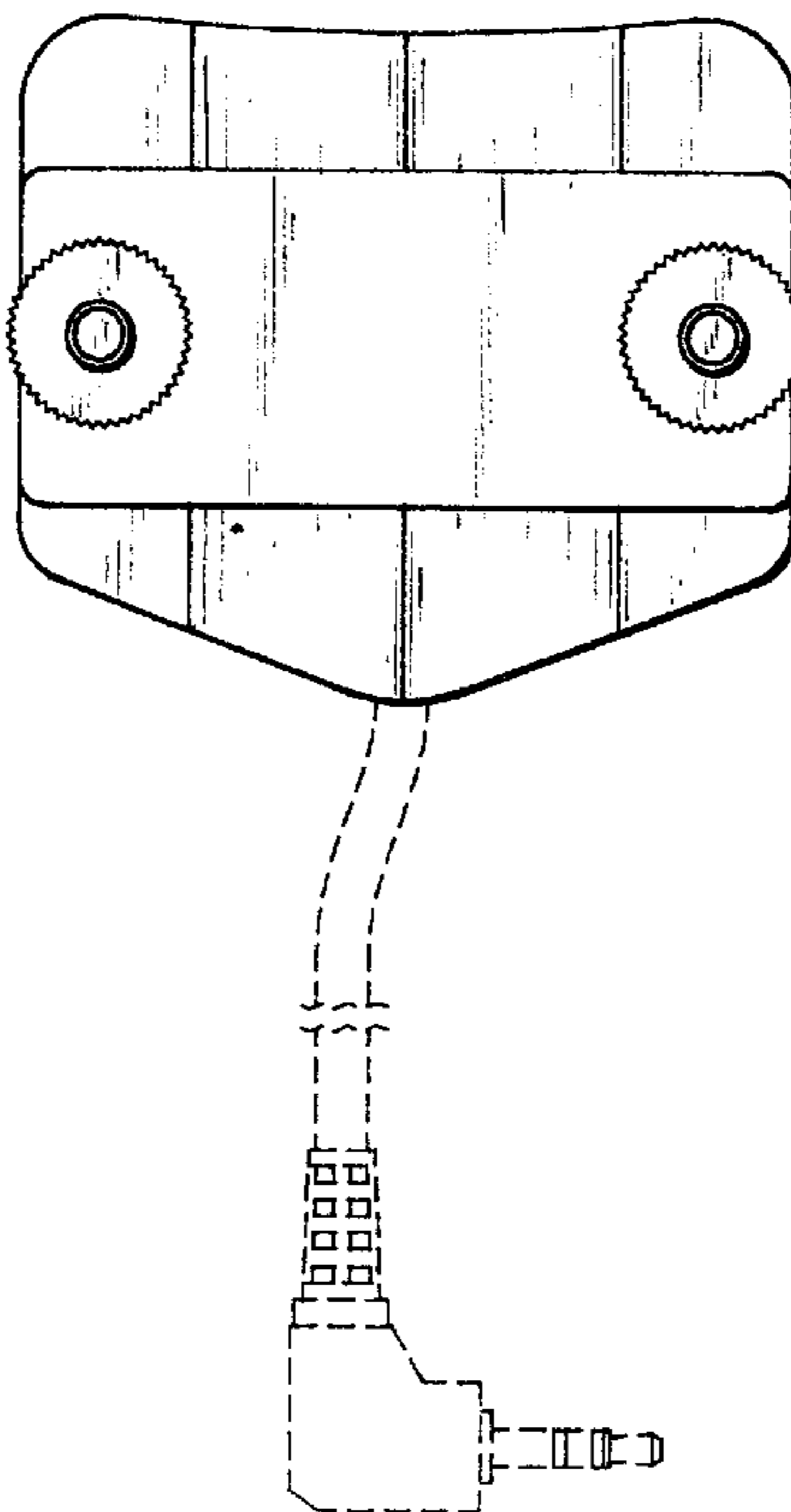


FIG. 3

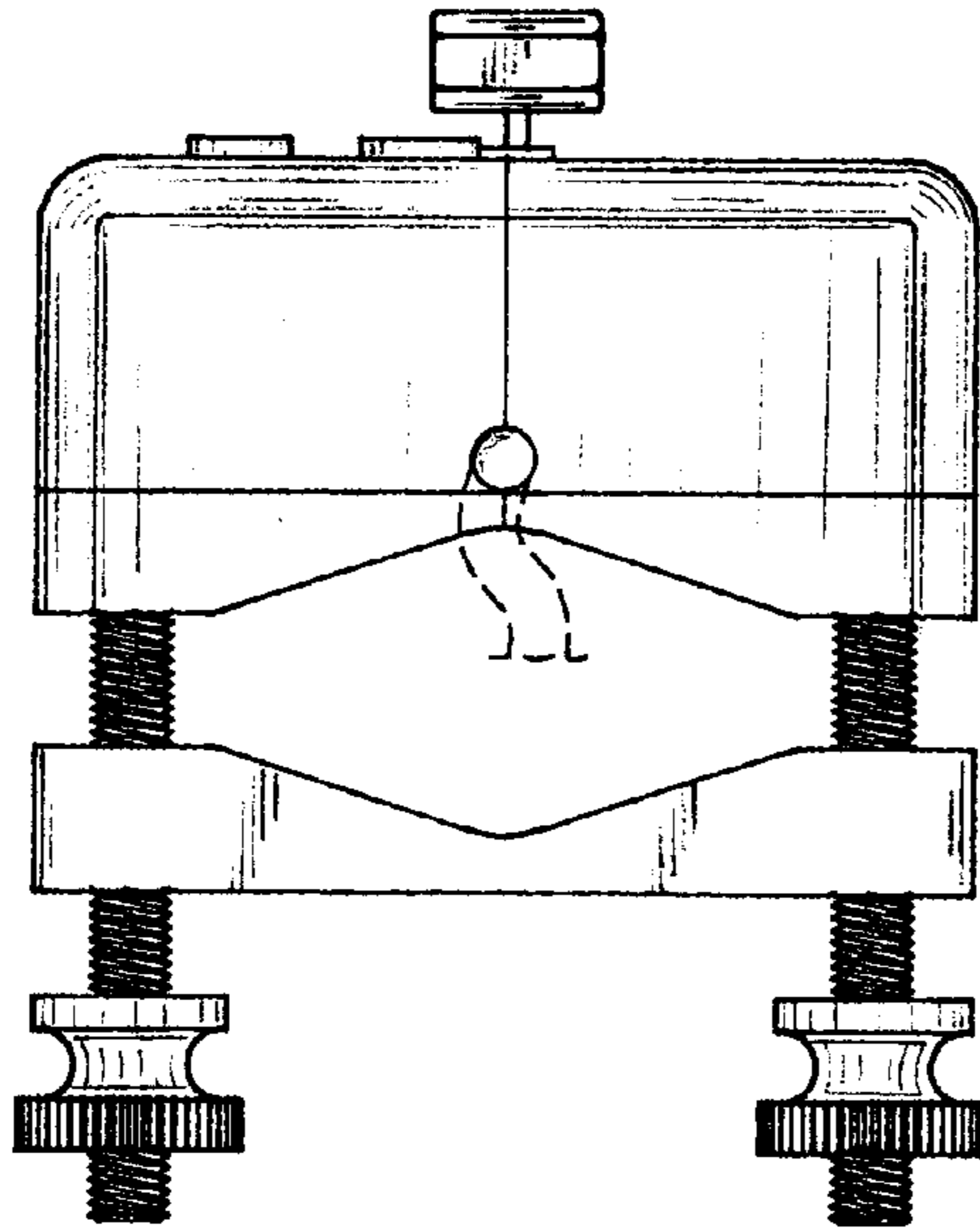


FIG. 4

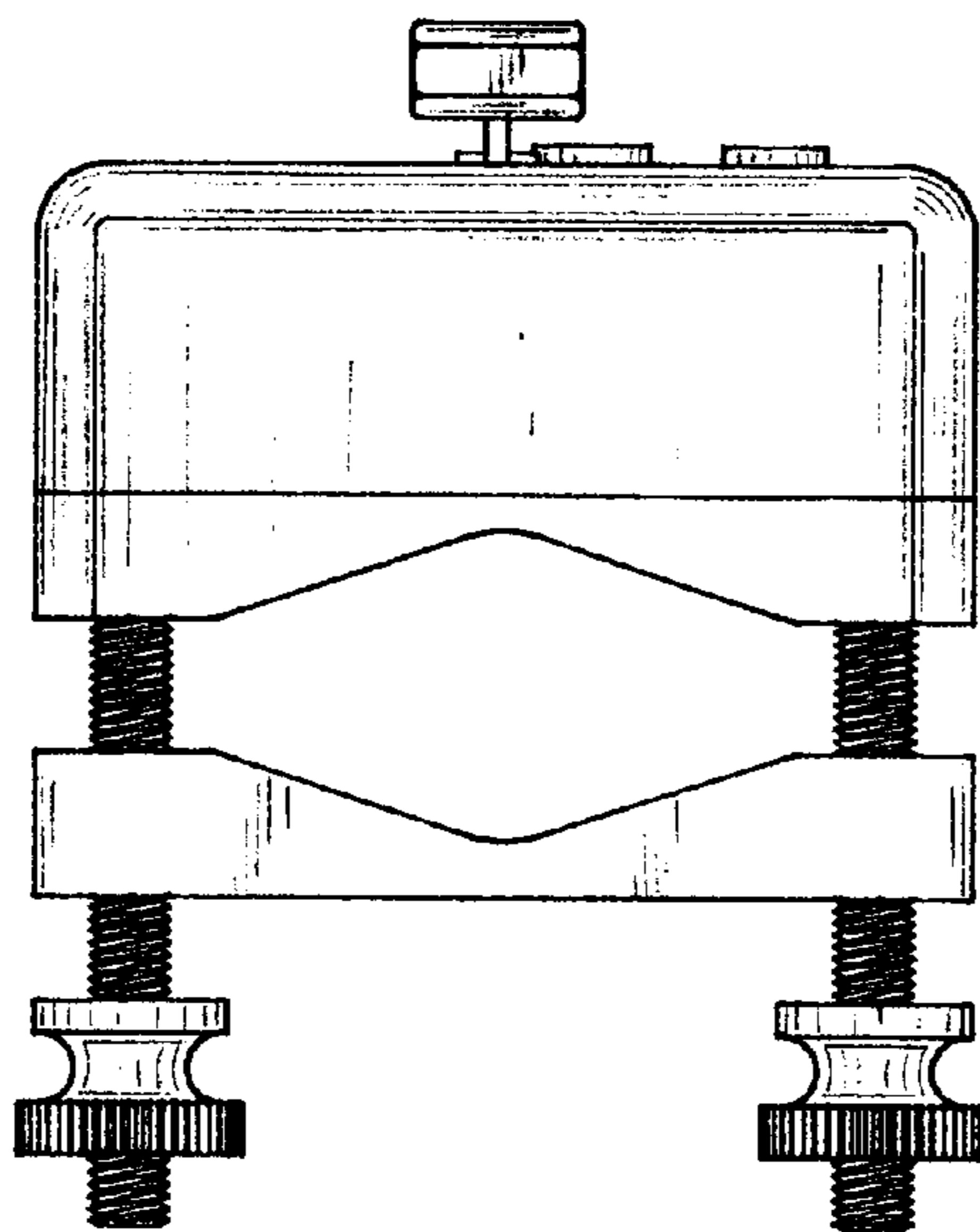


FIG. 5

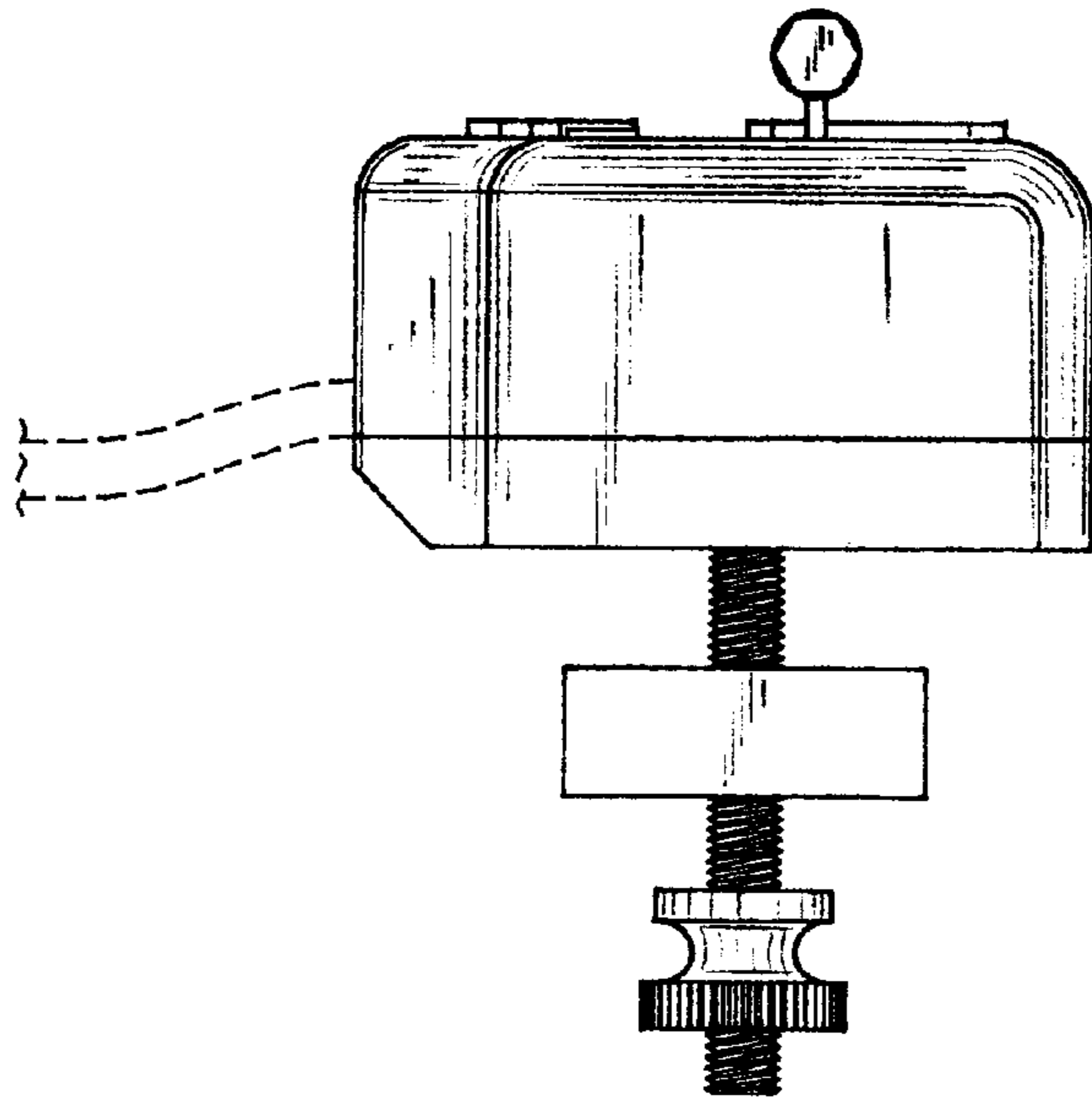


FIG. 6

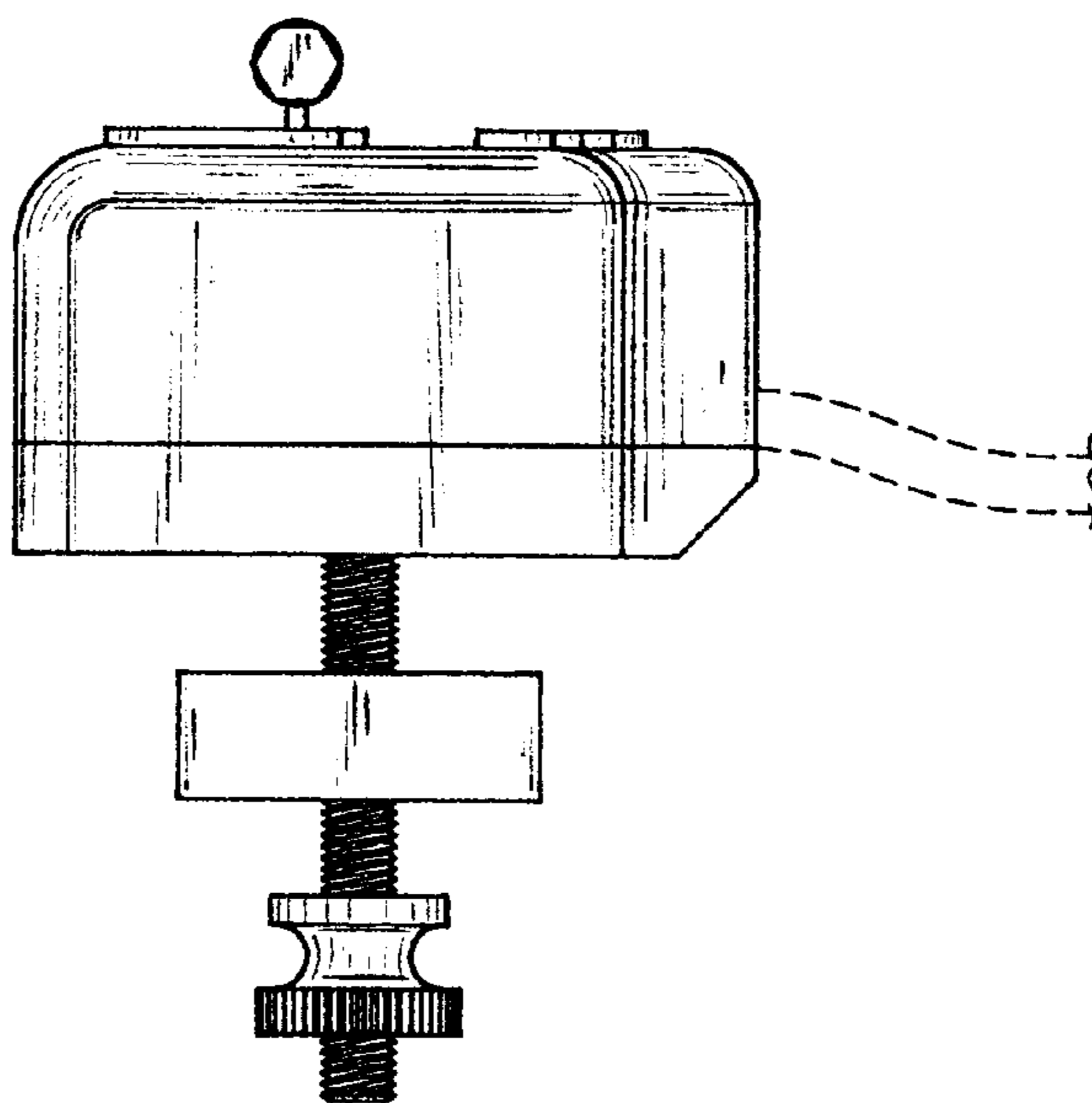


FIG. 7

