



US00D489747S

(12) **United States Design Patent**  
**Safran et al.**

(10) **Patent No.:** **US D489,747 S**

(45) **Date of Patent:** **\*\* May 11, 2004**

(54) **PROJECTOR**

6,406,151 B1 \* 6/2002 Fujimori ..... 353/119

(75) Inventors: **Allan Safran**, Dollard des Ormeaux (CA); **Warren Stelman**, Dollard des Ormeaux (CA)

**FOREIGN PATENT DOCUMENTS**

JP 1072526 \* 6/2000  
JP 1096557 \* 1/2001

(73) Assignee: **Digital Advertising Network Inc.**, Montreal (CA)

**OTHER PUBLICATIONS**

(\*\*) Term: **14 Years**

Web pages "Multimedia Projector" Mitsubishi Electric, Sep. 2000 (Projector LVP-SA51).\*

(21) Appl. No.: **29/152,366**

\* cited by examiner

(22) Filed: **Mar. 7, 2002**

*Primary Examiner*—Adir Aronovich  
(74) *Attorney, Agent, or Firm*—Gilberto M. Villacorta; Dawn C. Hayes; Katten Muchin Zavis Rosenman

(30) **Foreign Application Priority Data**

Dec. 12, 2001 (CA) ..... 2001-2998

(51) **LOC (7) Cl.** ..... **16-02**

(52) **U.S. Cl.** ..... **D16/230**

(58) **Field of Search** ..... D16/205, 208, D16/221, 225, 230, 231, 234; D21/514; 353/115, 119, 122

(57) **CLAIM**

The ornamental design for a projector, as shown and described.

(56) **References Cited**

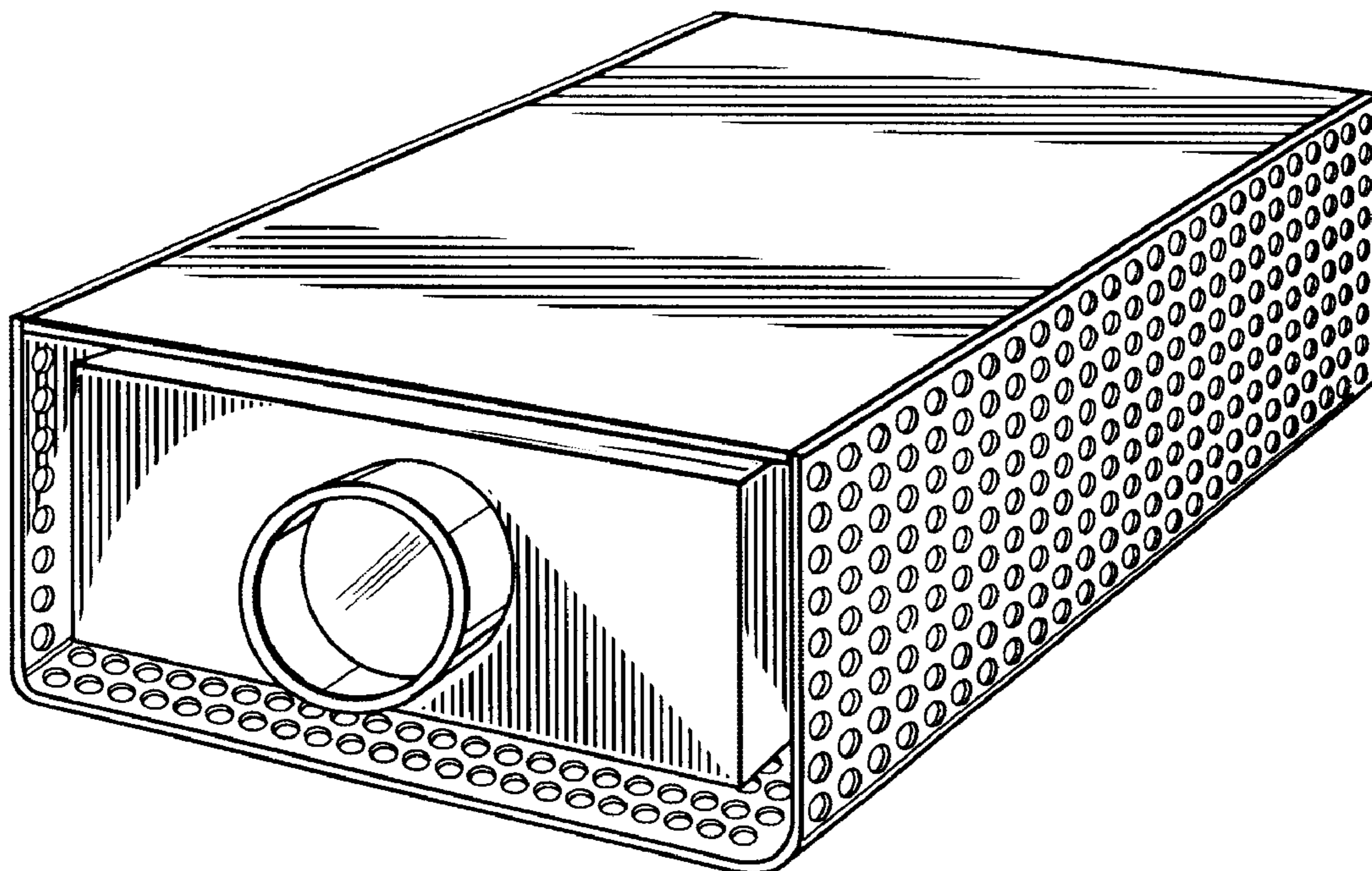
**U.S. PATENT DOCUMENTS**

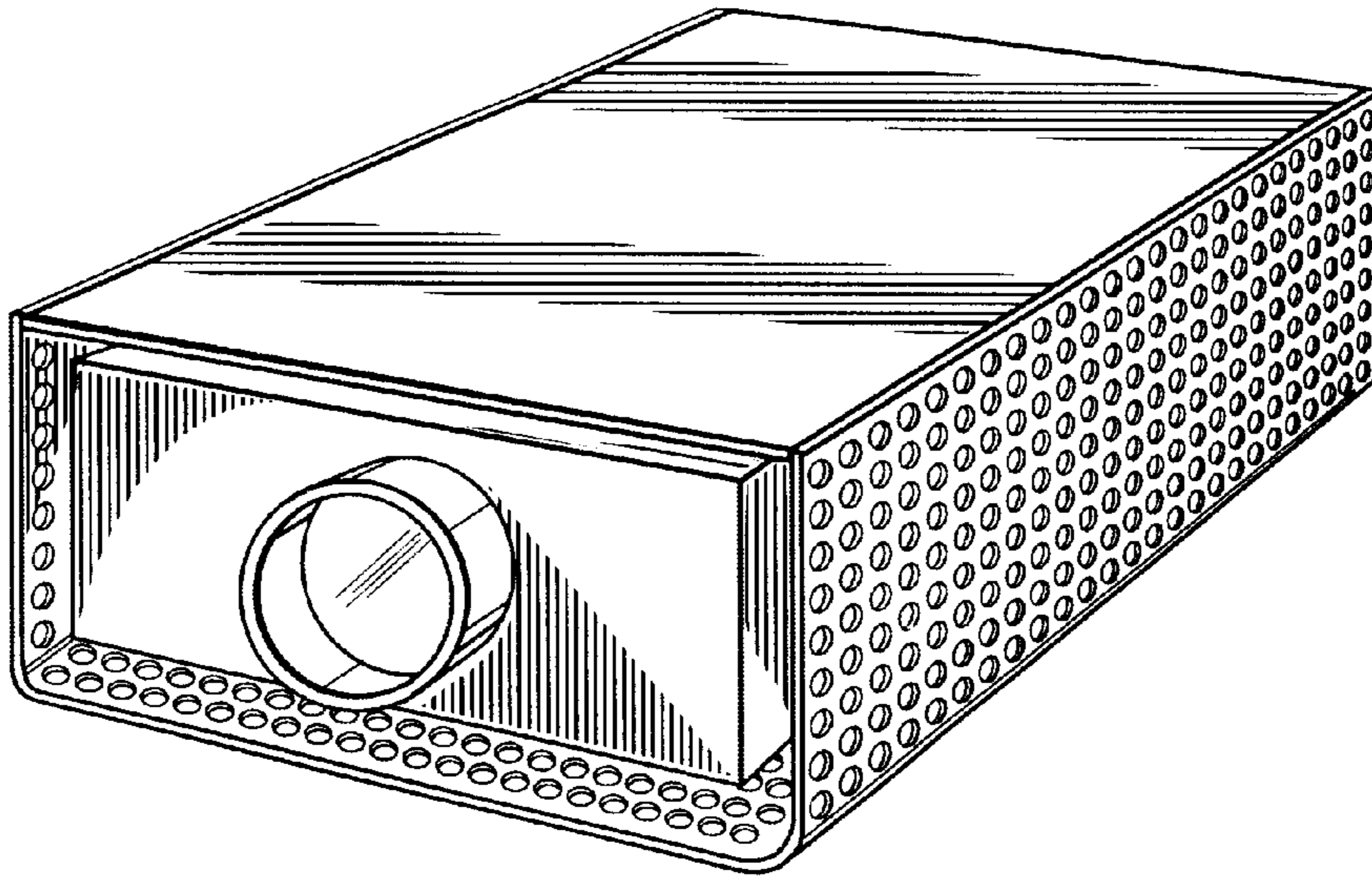
D184,949 S \* 4/1959 Mackay ..... D16/221  
D215,970 S \* 11/1969 Frey ..... D16/233  
D398,321 S \* 9/1998 Iida ..... D16/230  
D443,884 S \* 6/2001 Goto et al. .... D16/230

**DESCRIPTION**

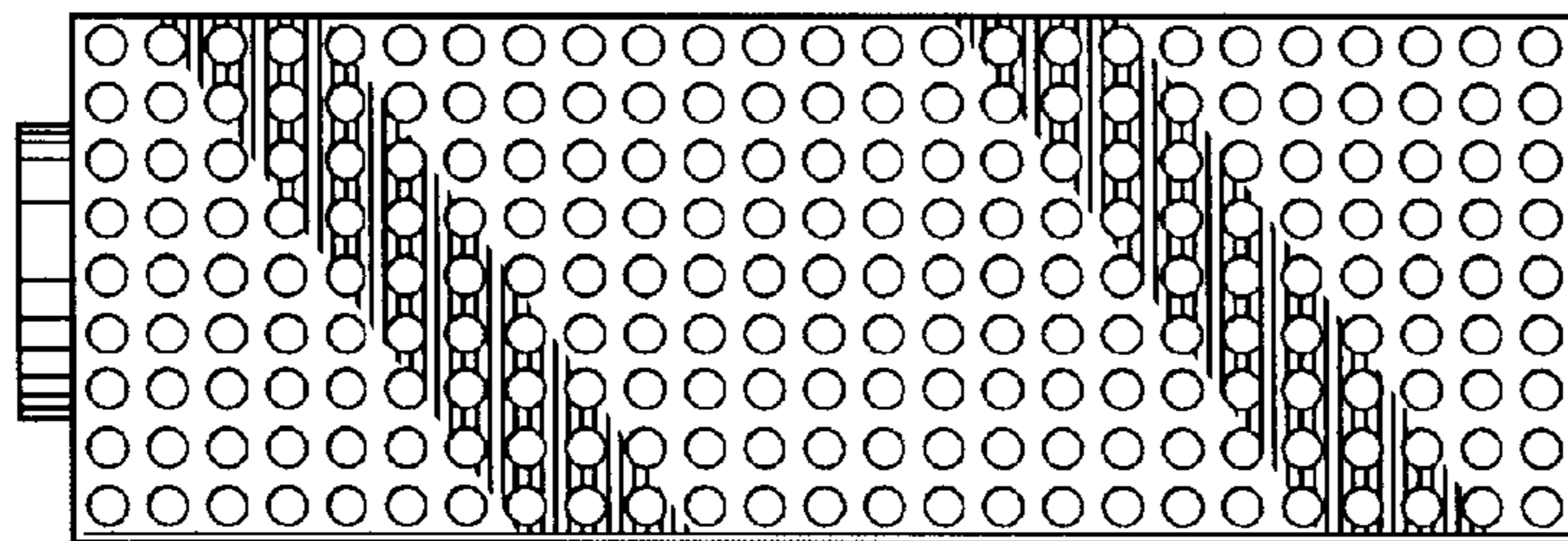
FIG. 1 is a front, top and right side perspective view of a projector showing our new design;  
FIG. 2 is a right side view of the projector, the left side being the same;  
FIG. 3 is a front view of the projector;  
FIG. 4 is a bottom plan view of the projector; and,  
FIG. 5 is a top plan view of the projector.

**1 Claim, 2 Drawing Sheets**



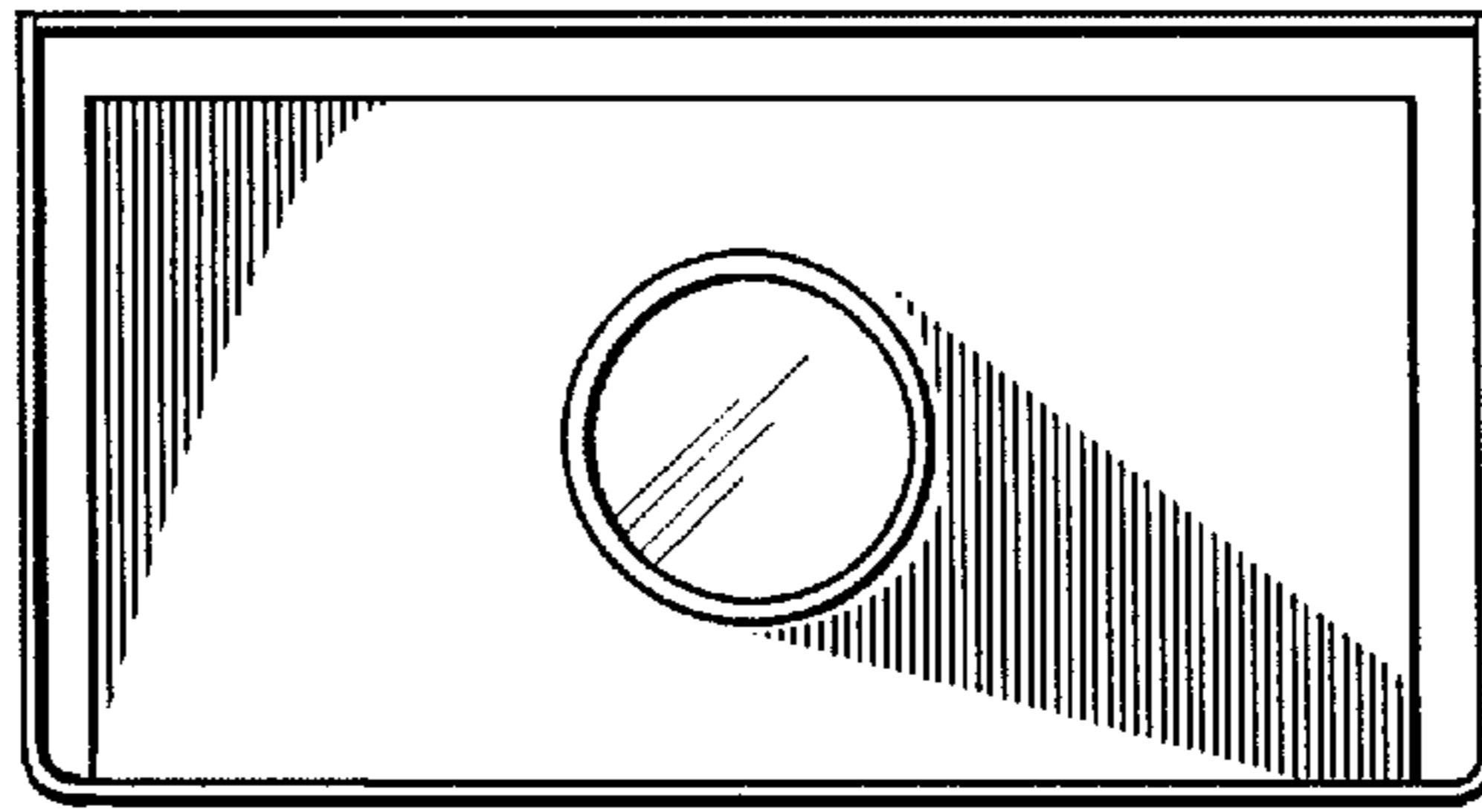


**FIG. 1**

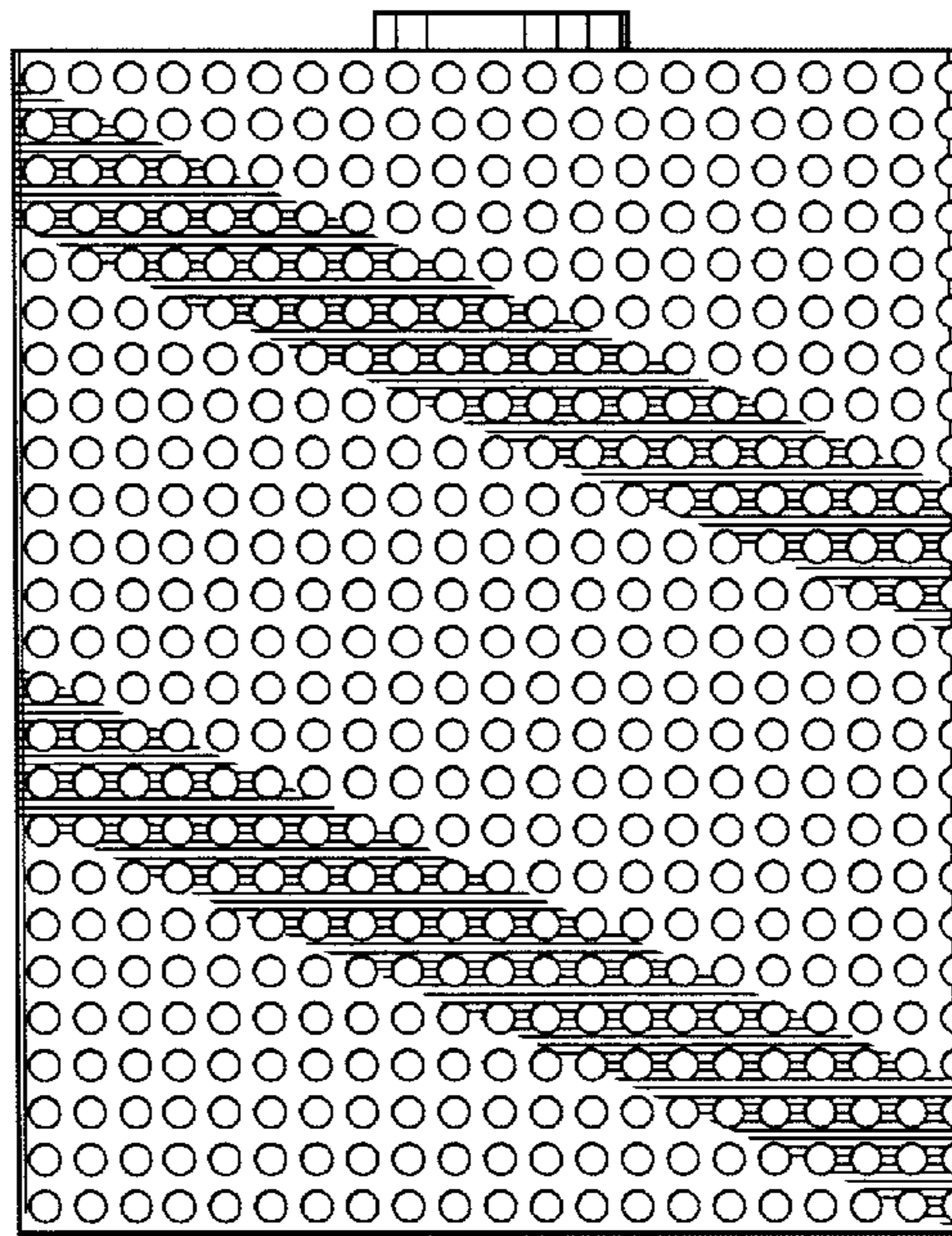


**FIG. 2**

**FIG. 3**



**FIG. 4**



**FIG. 5**

