



US00D489746S

(12) **United States Design Patent**  
**Ogura**

(10) **Patent No.:** **US D489,746 S**

(45) **Date of Patent:** **\*\* May 11, 2004**

(54) **DIGITAL CAMERA**

(75) Inventor: **Ryosuke Ogura, Tokyo (JP)**

(73) Assignee: **Fuji Photo Film Co. Ltd., Kanagawa (JP)**

(\*\*) Term: **14 Years**

(21) Appl. No.: **29/182,231**

(22) Filed: **May 23, 2003**

(30) **Foreign Application Priority Data**

Nov. 26, 2002 (JP) ..... 2002-032638

(51) **LOC (7) Cl.** ..... **16-05**

(52) **U.S. Cl.** ..... **D16/219; D16/202**

(58) **Field of Search** ..... D16/200-206,  
D16/208, 209, 218, 219; 348/373-376;  
358/906, 909.1; 396/535-541

(56) **References Cited**

**U.S. PATENT DOCUMENTS**

D182,079 S \* 2/1958 Macomber ..... D16/219  
D187,563 S \* 3/1960 Someha ..... D16/218  
D408,044 S \* 4/1999 Tanaka et al. .... D16/202

D431,827 S \* 10/2000 Yim ..... D16/202  
D466,142 S \* 11/2002 Lin et al. .... D16/202  
D473,885 S 4/2003 Horikiri et al. .... D16/202  
D484,167 S \* 12/2003 Naito ..... D16/219

\* cited by examiner

*Primary Examiner*—Adir Aronovich

(74) *Attorney, Agent, or Firm*—Young & Thompson

(57) **CLAIM**

The ornamental design for a digital camera, as shown and described.

**DESCRIPTION**

FIG. 1 is a top, side and rear perspective view of a digital camera showing my new design;  
FIG. 2 is a front elevational view thereof;  
FIG. 3 is a rear elevational view thereof;  
FIG. 4 is a top plan view thereof;  
FIG. 5 is a side elevational view thereof from the right of FIG. 2; and,  
FIG. 6 is a top, front and side perspective view thereof.  
The structure in dotted lines is shown only to indicate the environment of the present invention and its appearance is not claimed.

**1 Claim, 3 Drawing Sheets**

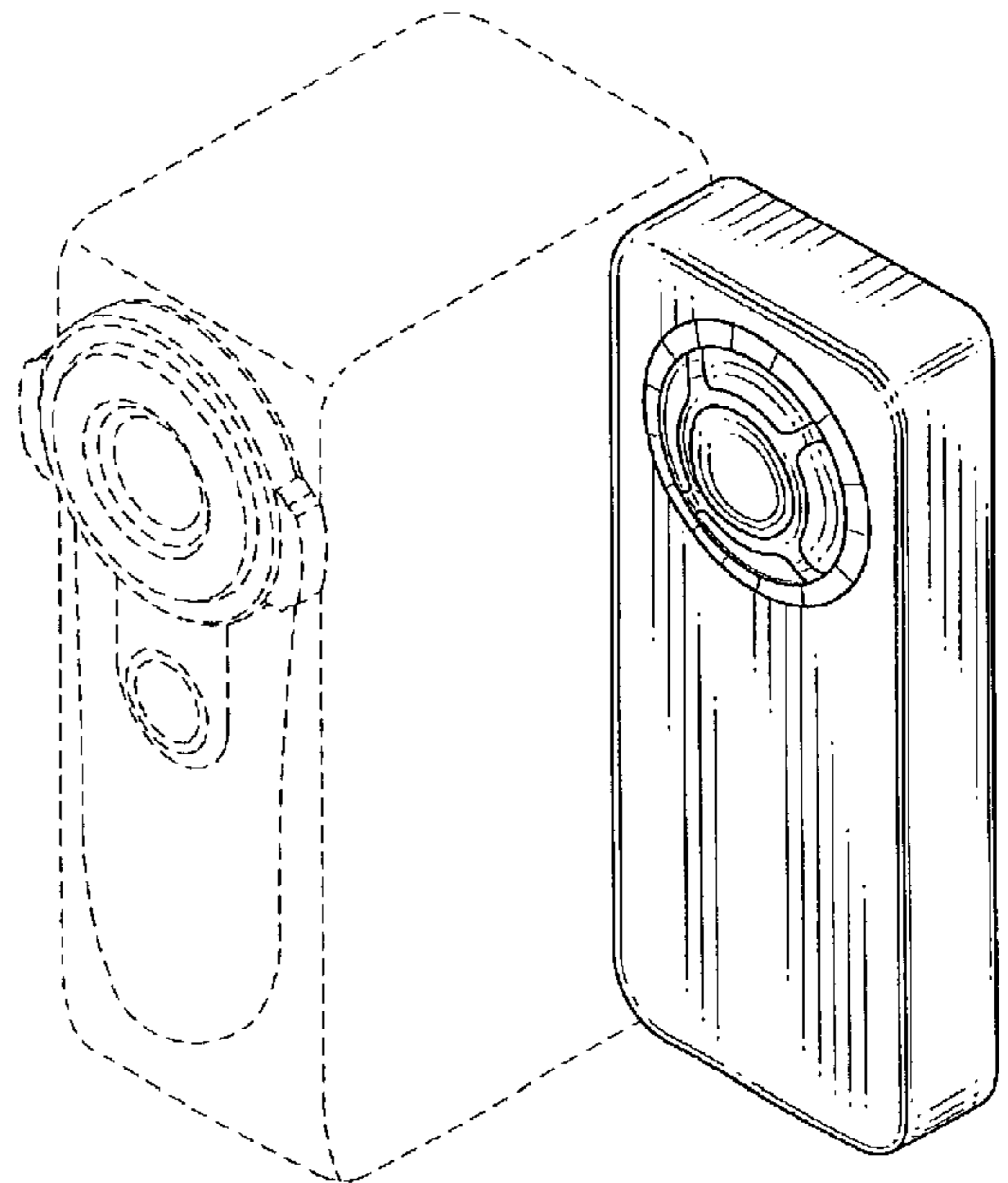
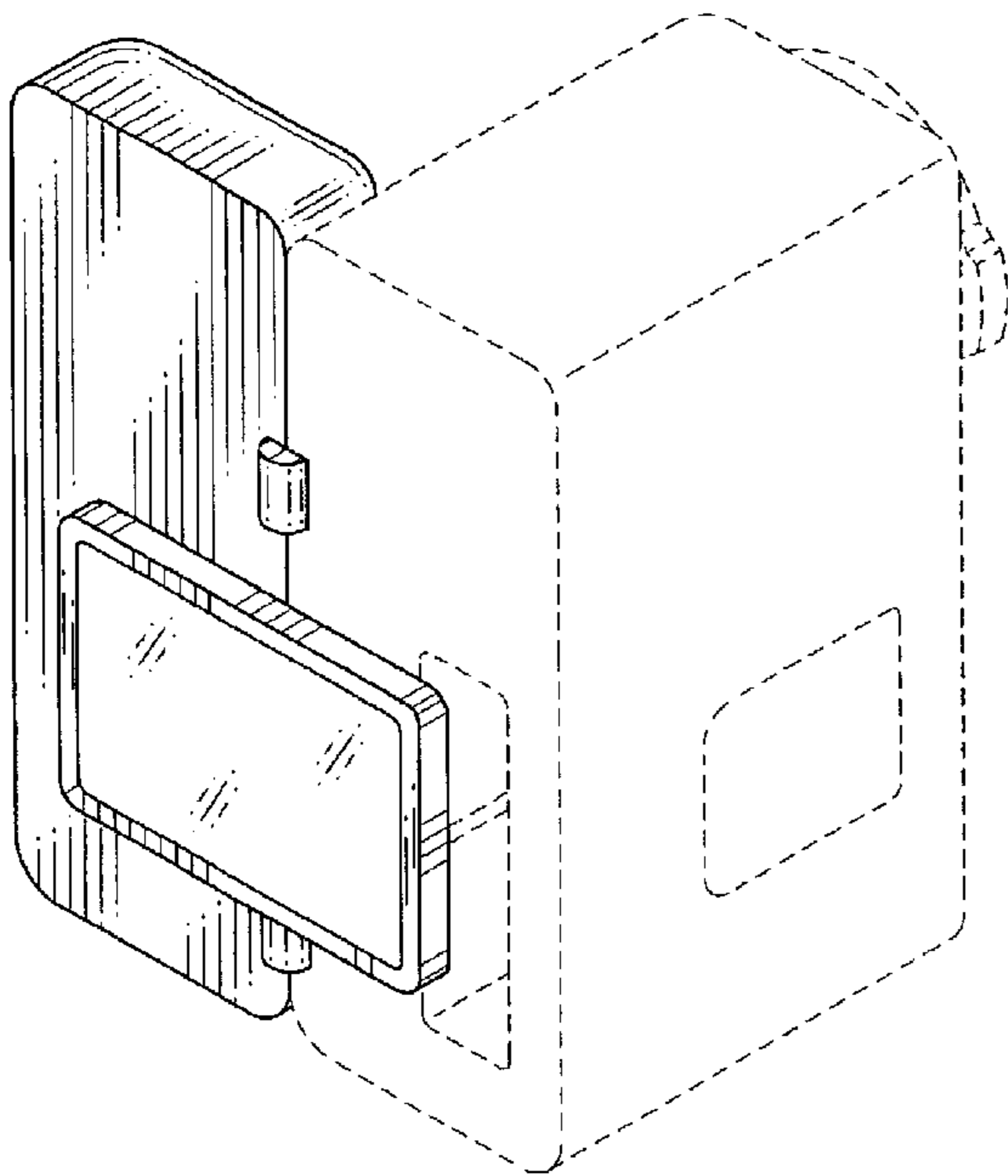


FIG. 1

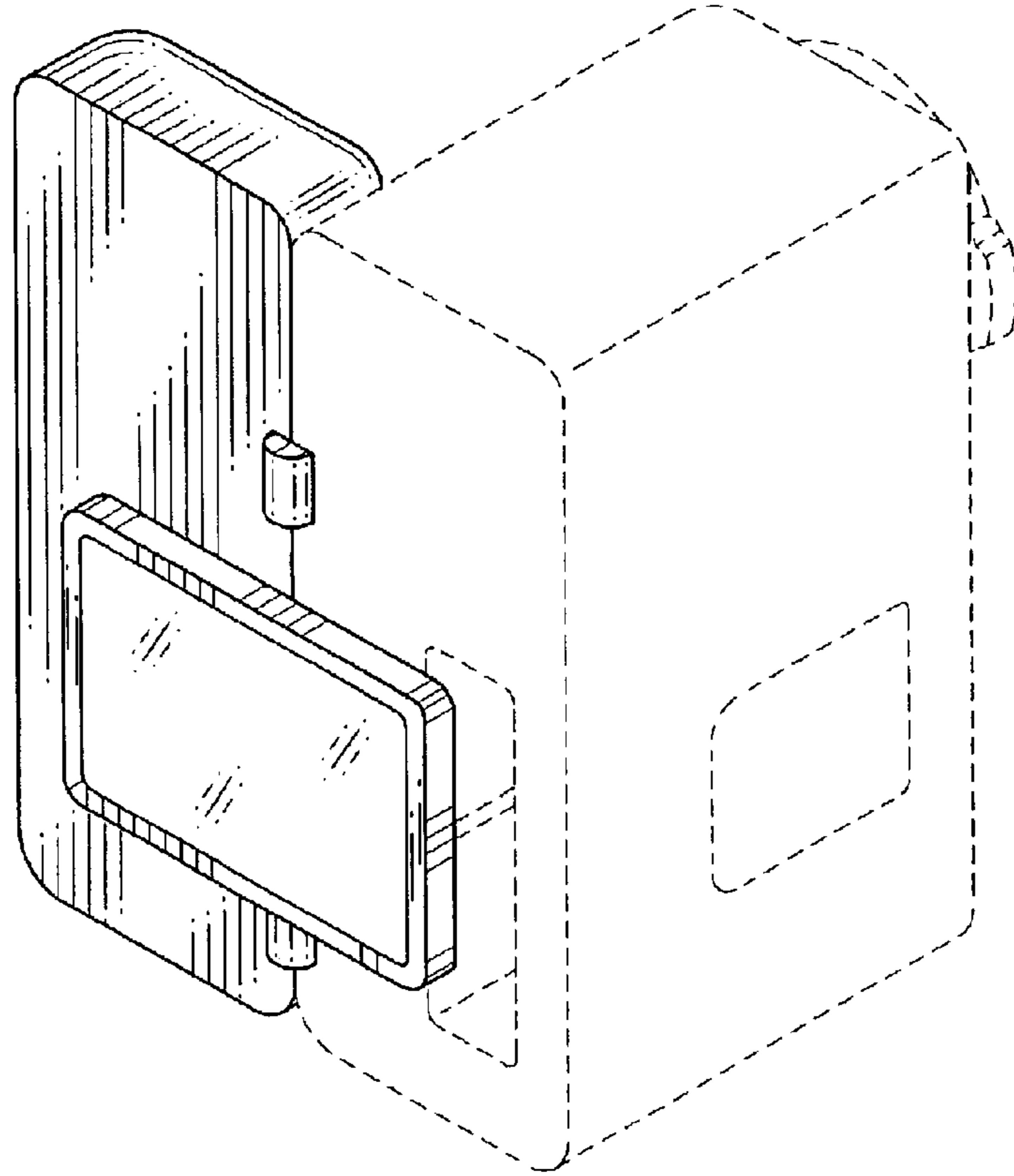


FIG. 2

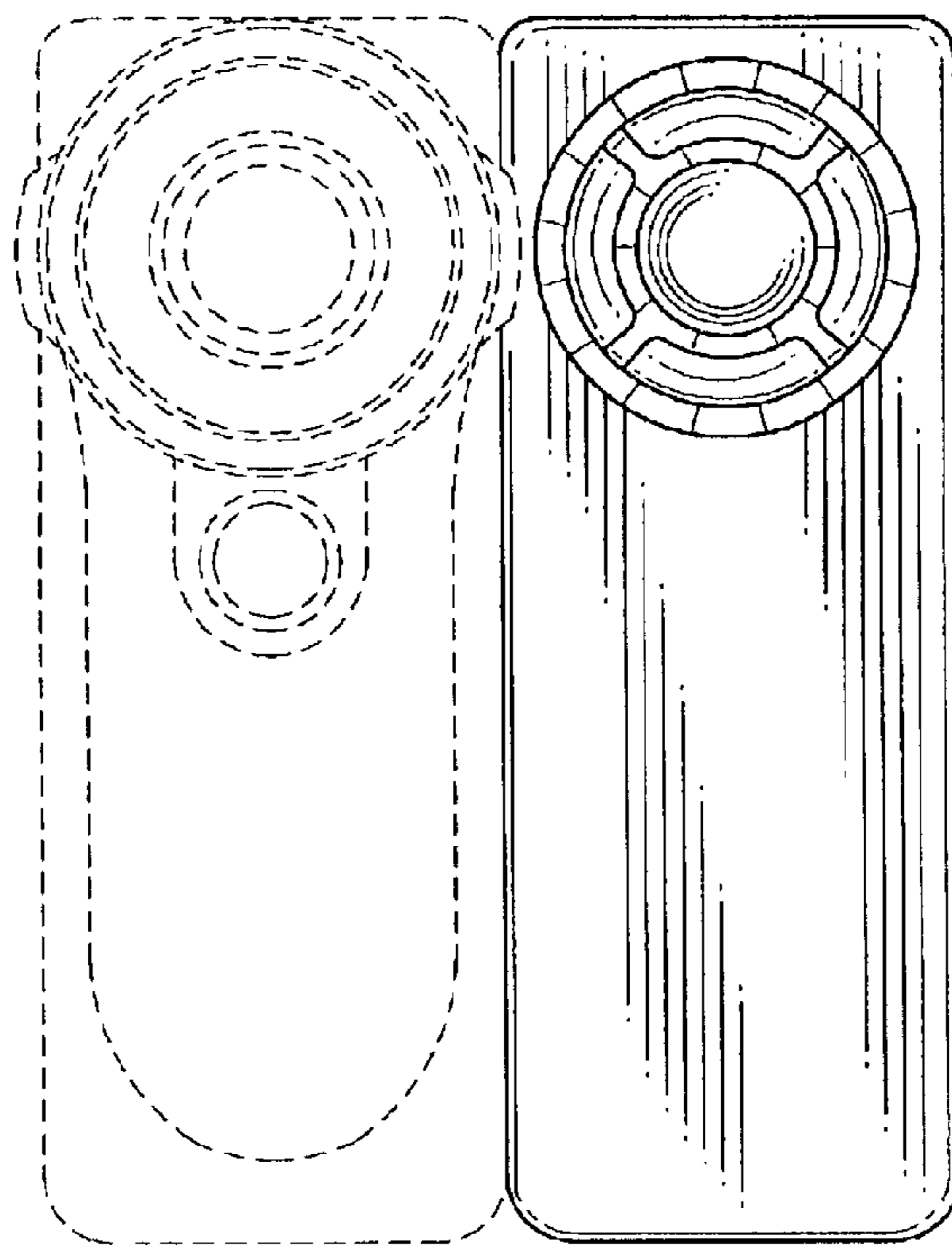


FIG. 3

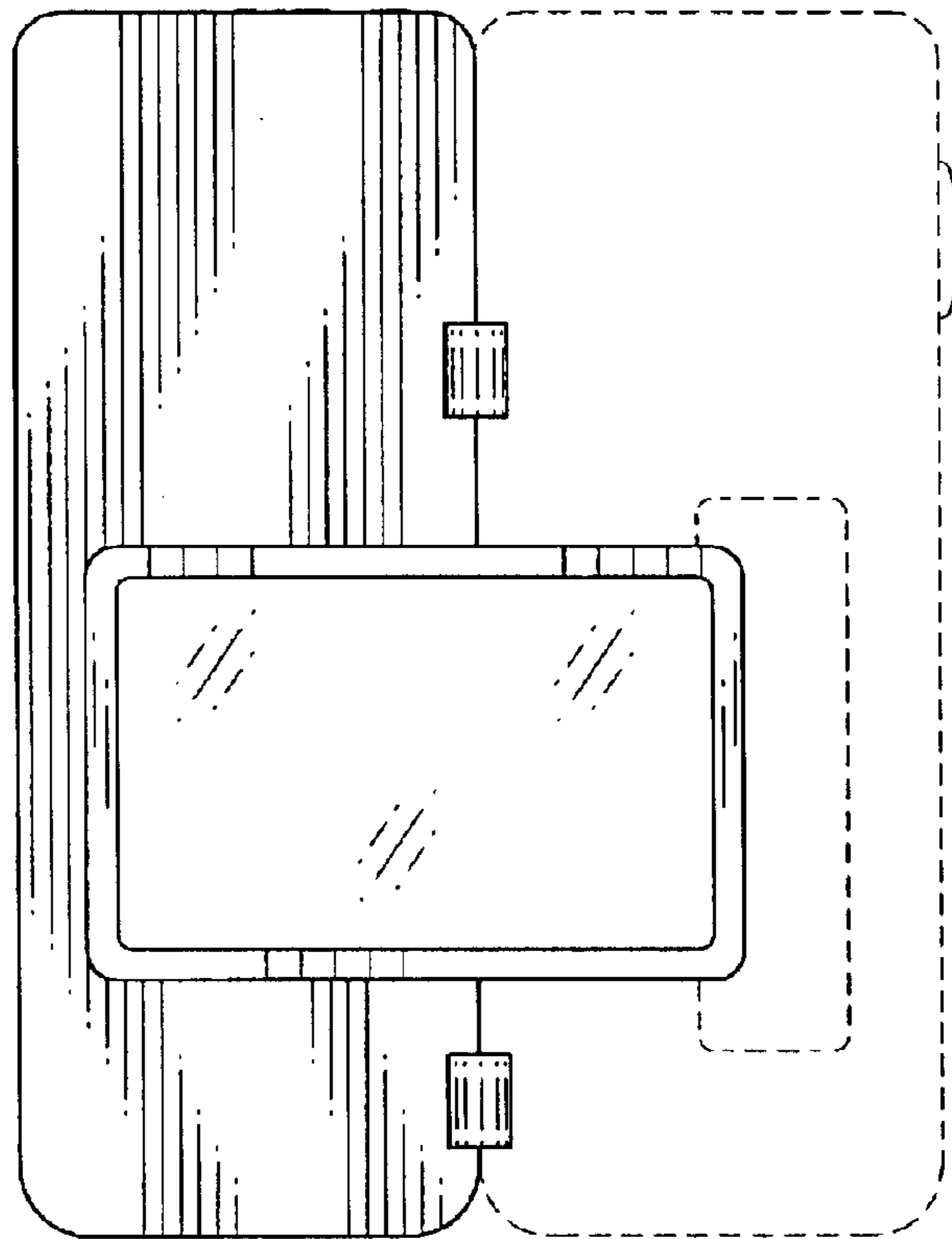


FIG. 4

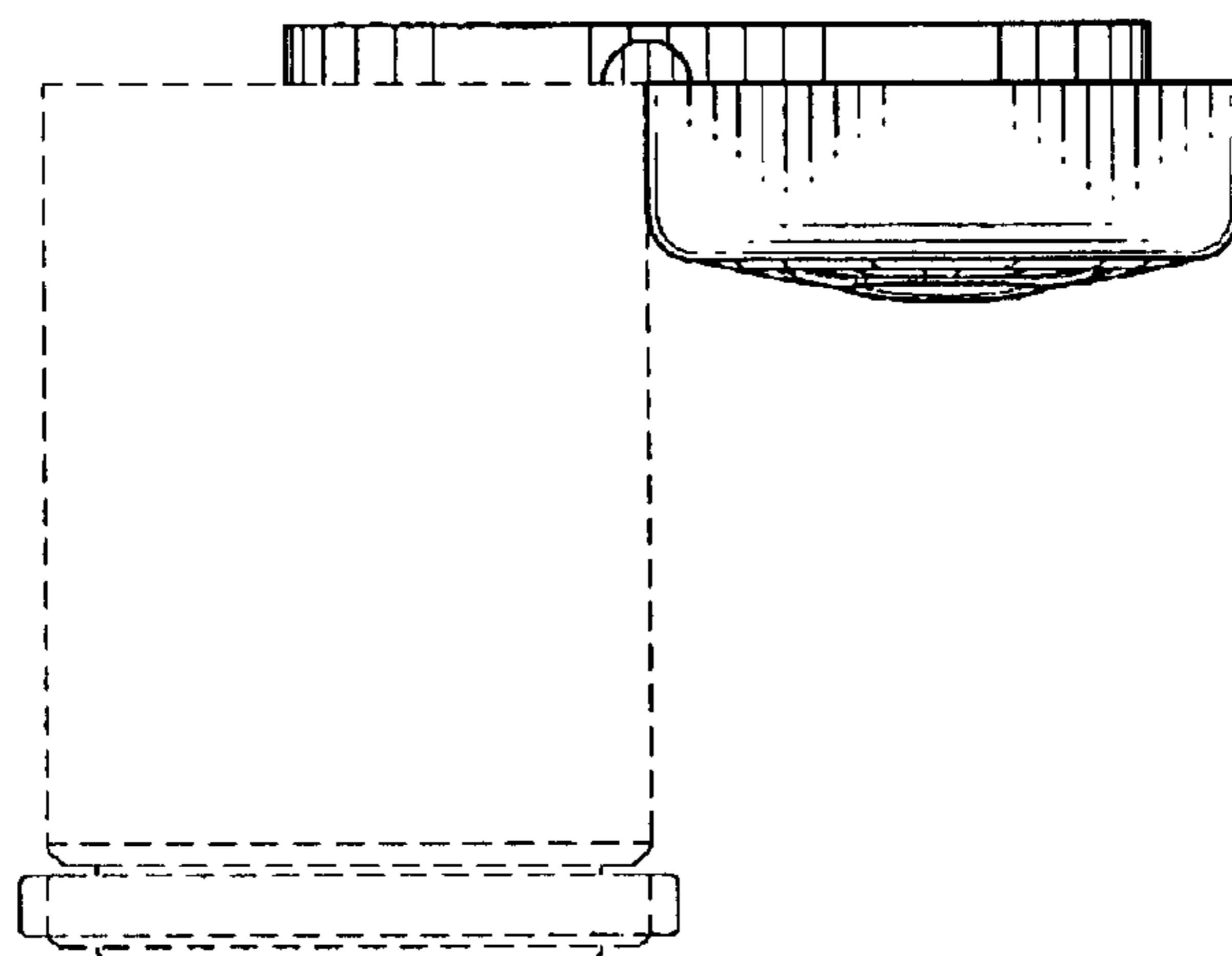


FIG.5

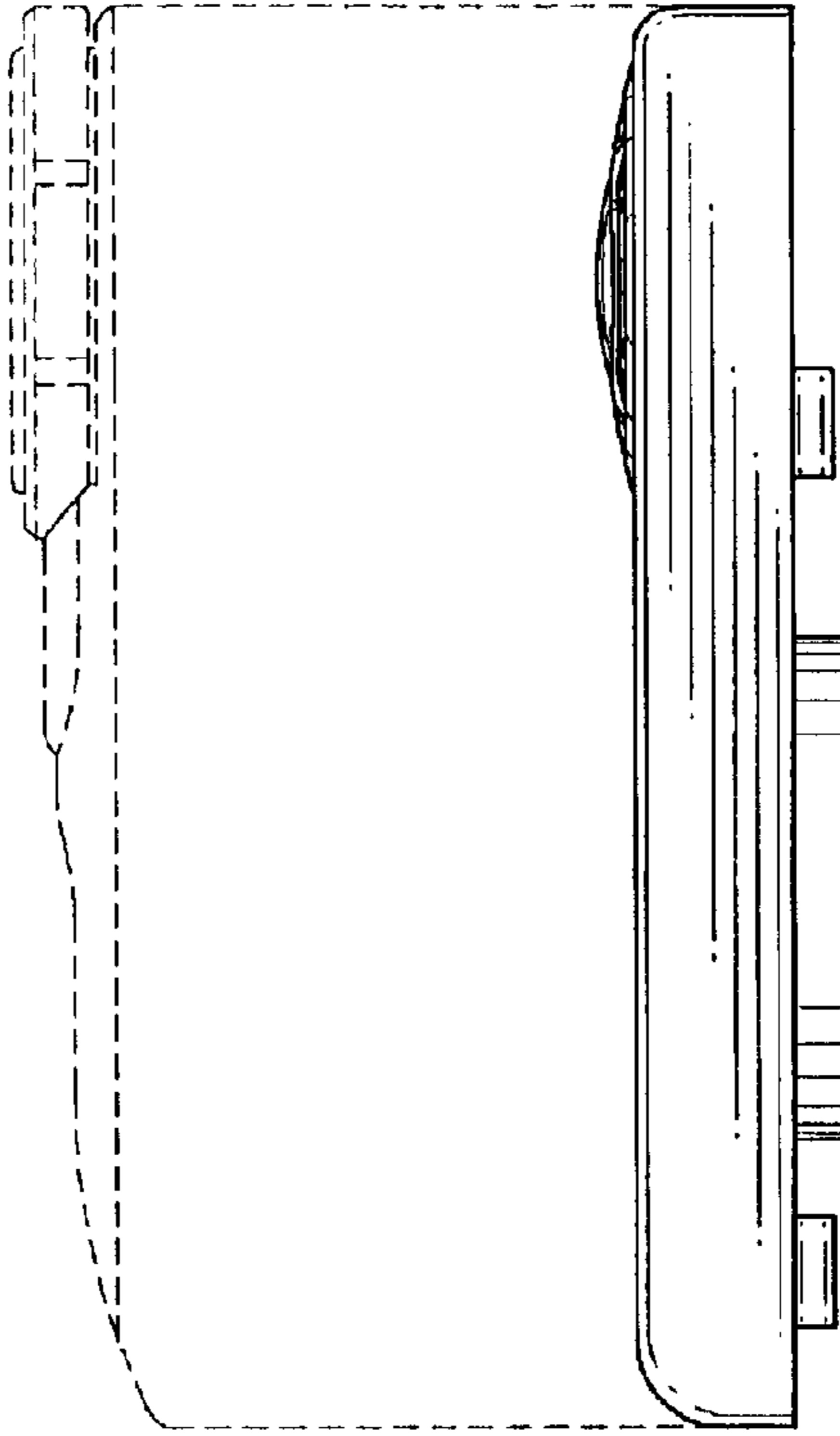


FIG.6

