



US00D489745S

(12) **United States Design Patent**
Ogura

(10) **Patent No.:** **US D489,745 S**

(45) **Date of Patent:** **** May 11, 2004**

(54) **DIGITAL CAMERA**

(75) Inventor: **Ryosuke Ogura**, Tokyo (JP)

(73) Assignee: **Fuji Photo Film Co., Ltd.**, Kanagawa (JP)

(**) Term: **14 Years**

(21) Appl. No.: **29/182,221**

(22) Filed: **May 22, 2003**

(30) **Foreign Application Priority Data**

Nov. 26, 2002 (JP) 2002-032639

(51) **LOC (7) Cl.** **16-05**

(52) **U.S. Cl.** **D16/219; D16/202**

(58) **Field of Search** D16/200-206,
D16/208, 209, 218, 219; 348/373-376;
358/906, 909.1; 396/535-541

(56) **References Cited**

U.S. PATENT DOCUMENTS

- D183,540 S * 9/1958 Palma, Jr. D16/209
- D187,563 S * 3/1960 Someha D16/218
- D408,044 S * 4/1999 Tanaka et al. D16/202
- D466,142 S * 11/2002 Lin et al. D16/202

- D473,885 S 4/2003 Horikiri et al. D16/202
- D481,747 S * 11/2003 Tanaka D16/202

* cited by examiner

Primary Examiner—Adir Aronovich

(74) *Attorney, Agent, or Firm*—Young & Thompson

(57) **CLAIM**

The ornamental design for a digital camera, as shown and described.

DESCRIPTION

FIG. 1 is a top, rear and side perspective view of a digital camera showing my new design;
 FIG. 2 is a front elevational view thereof;
 FIG. 3 is a rear elevational view thereof;
 FIG. 4 is a top plan view thereof;
 FIG. 5 is a side elevational view thereof from the right of FIG. 2;
 FIG. 6 is a top, front and side perspective view thereof; and,
 FIG. 7 is a view similar to FIG. 6, showing the parts in a different position.

The structure in dotted lines is shown only to indicate the environment of the present invention and its appearance is not claimed.

1 Claim, 4 Drawing Sheets

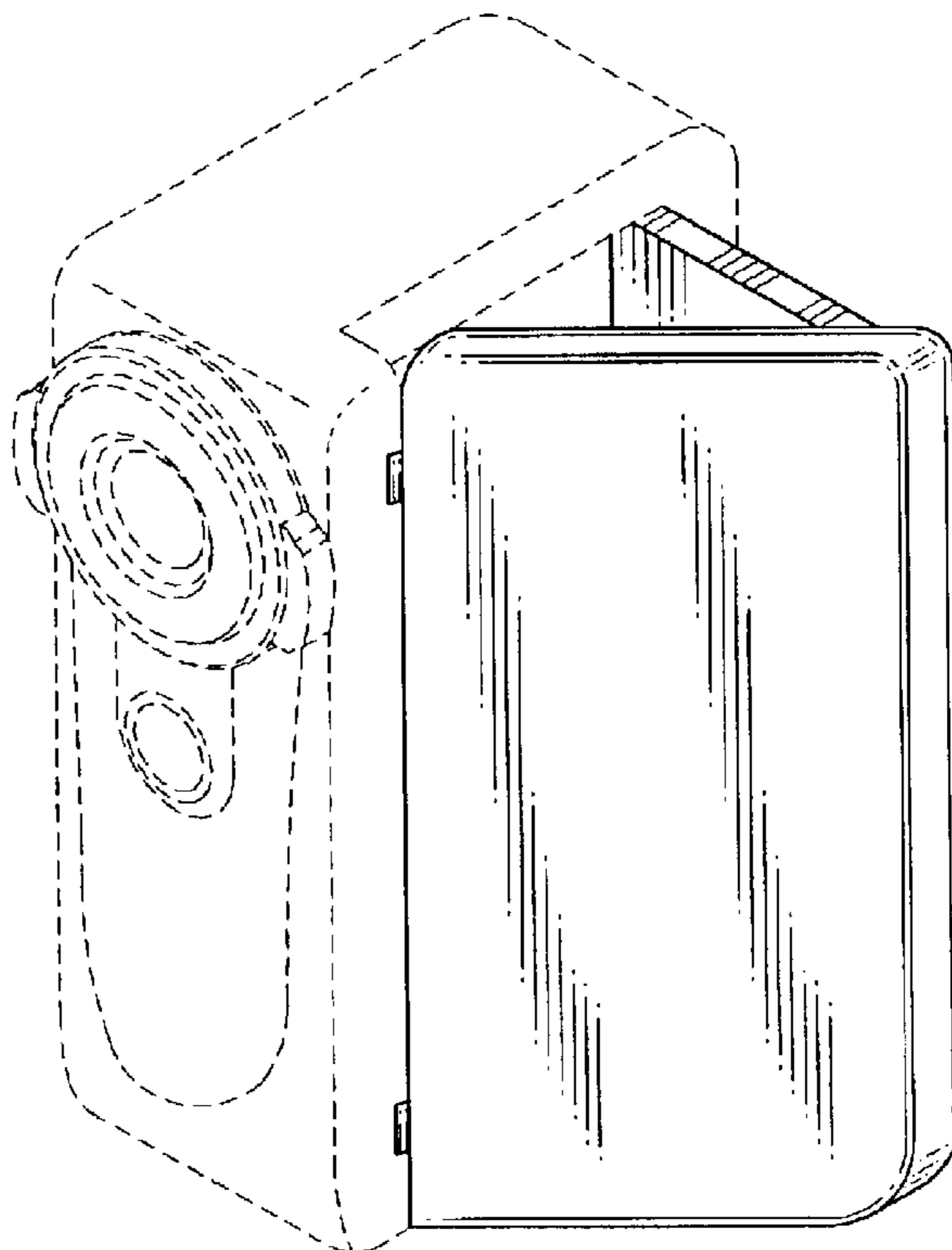
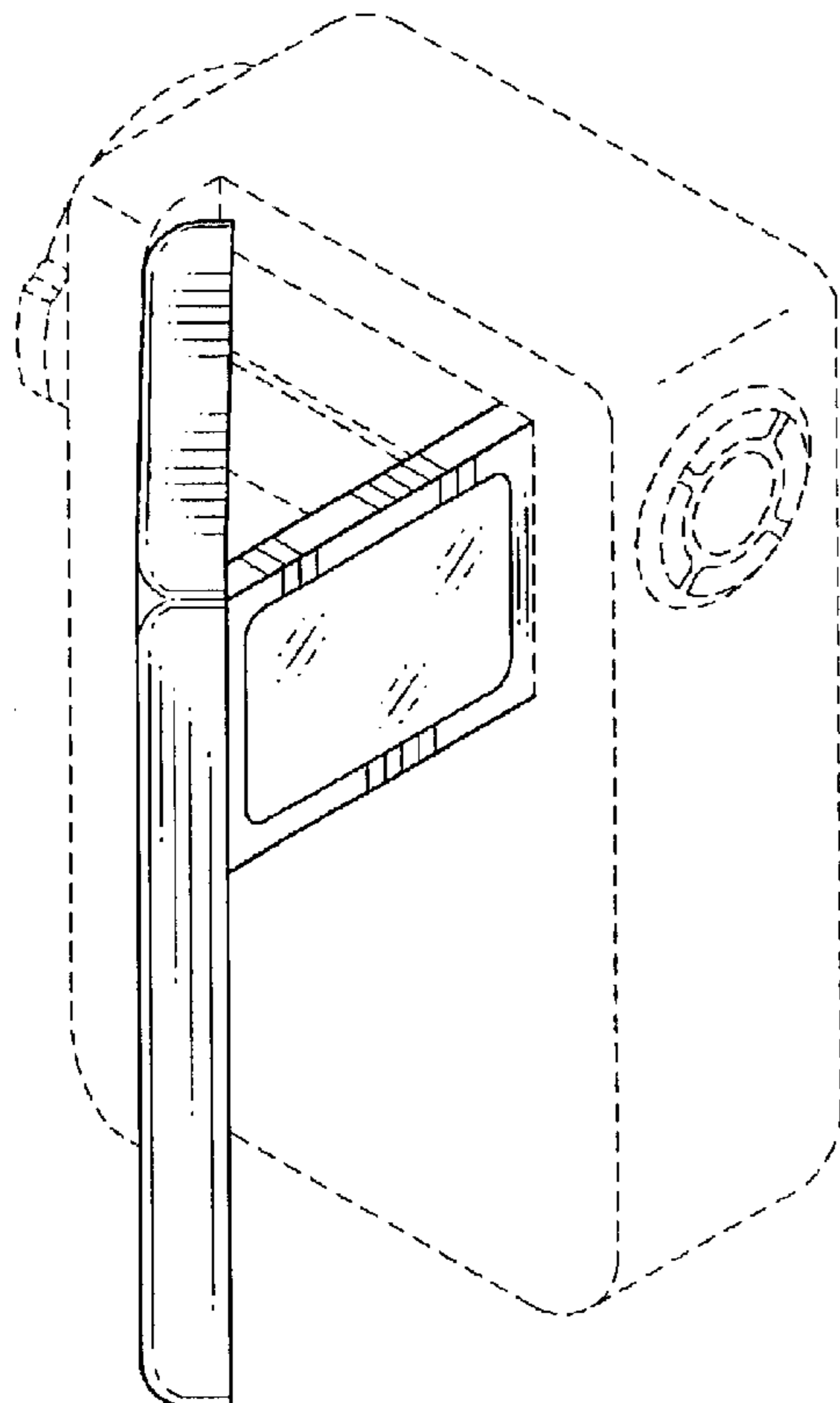


FIG. 1

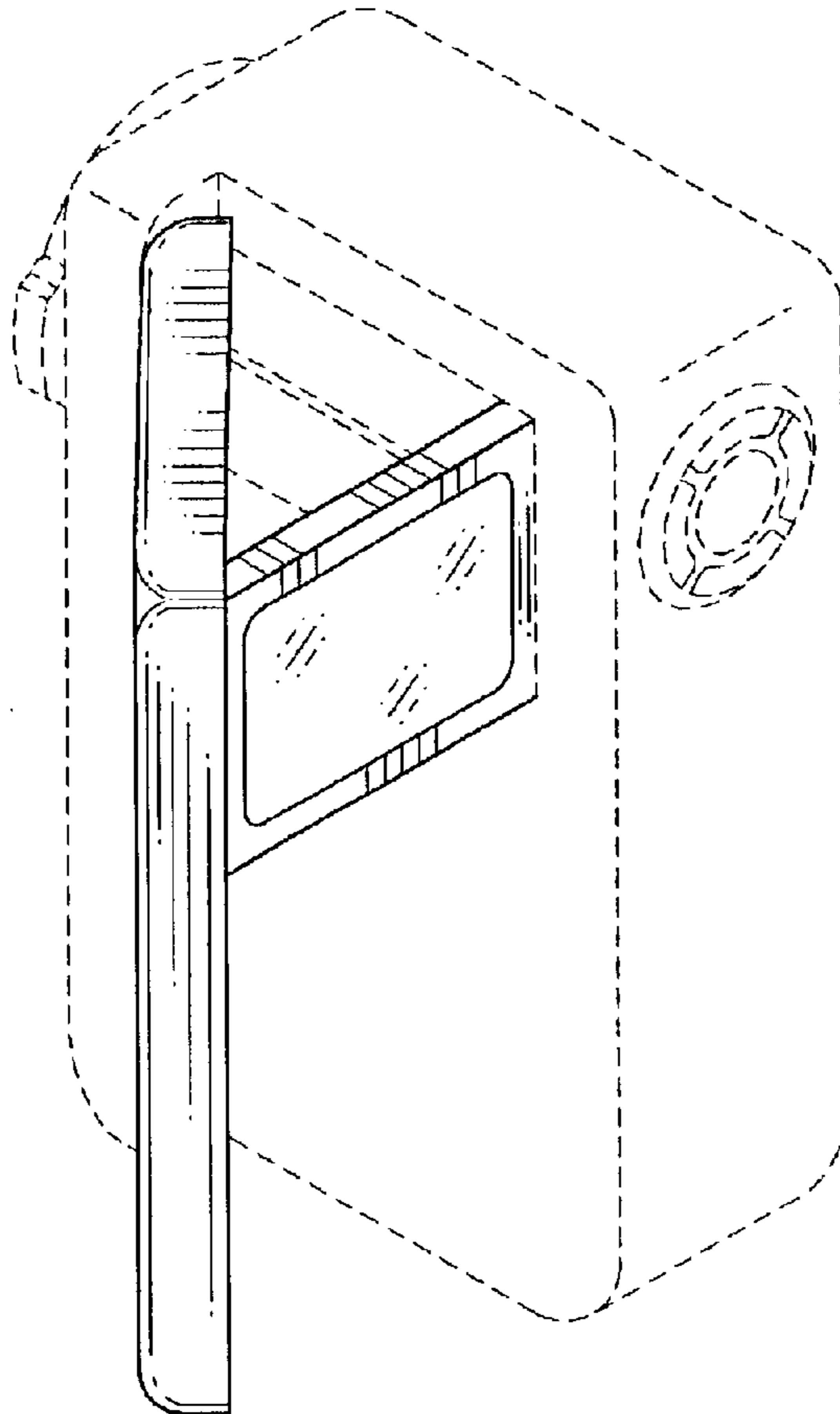


FIG. 2

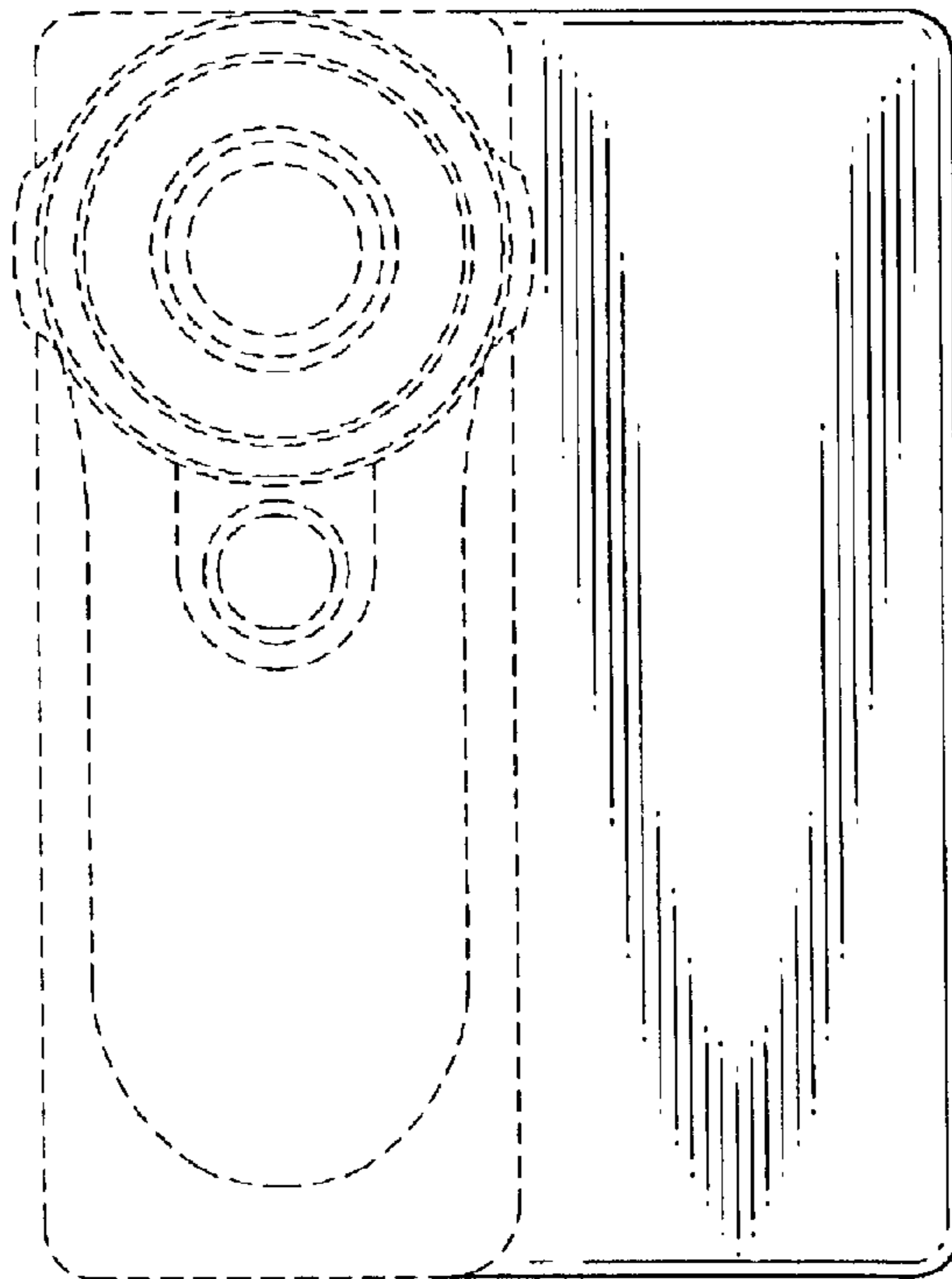


FIG.3

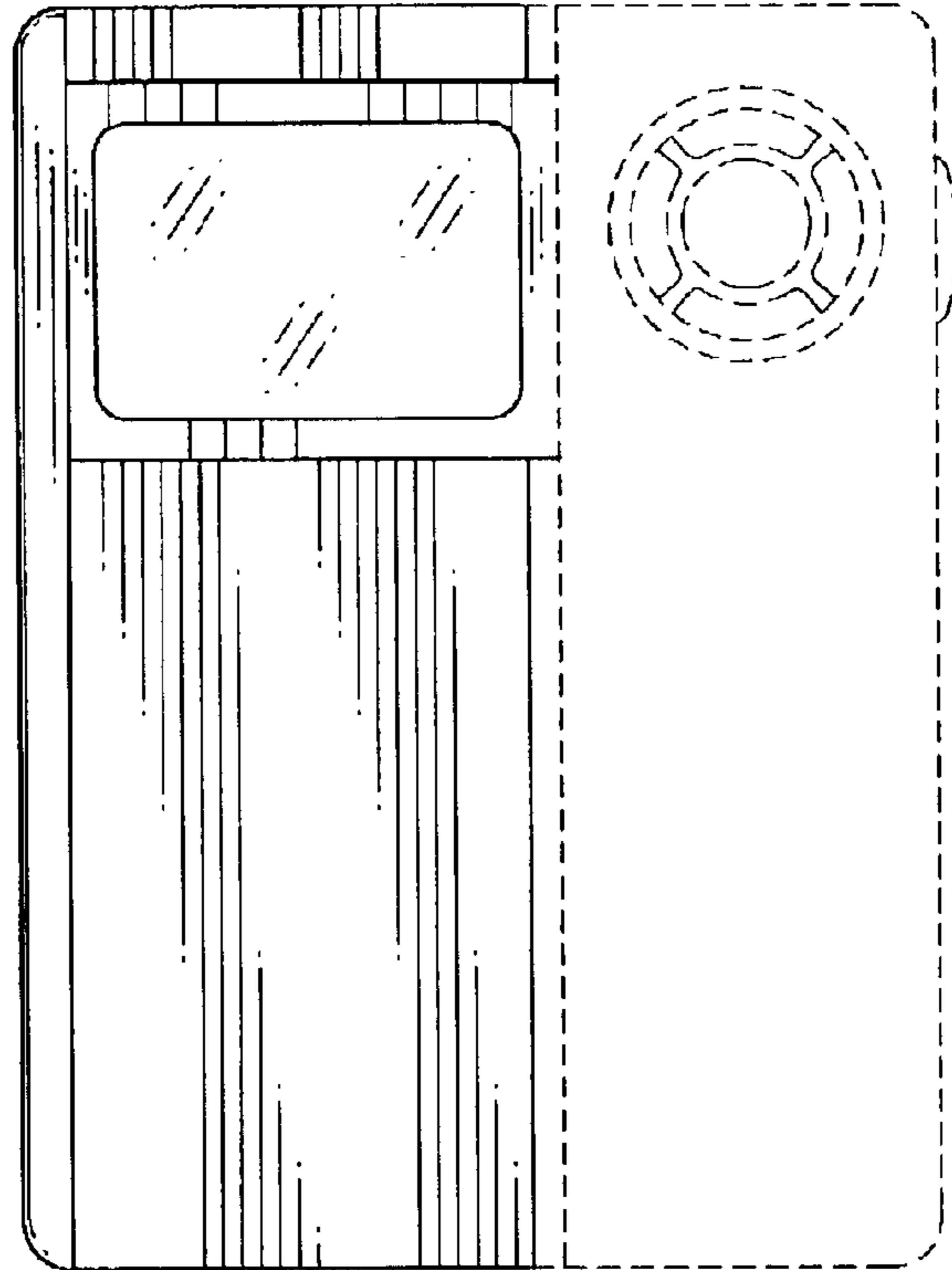


FIG.4

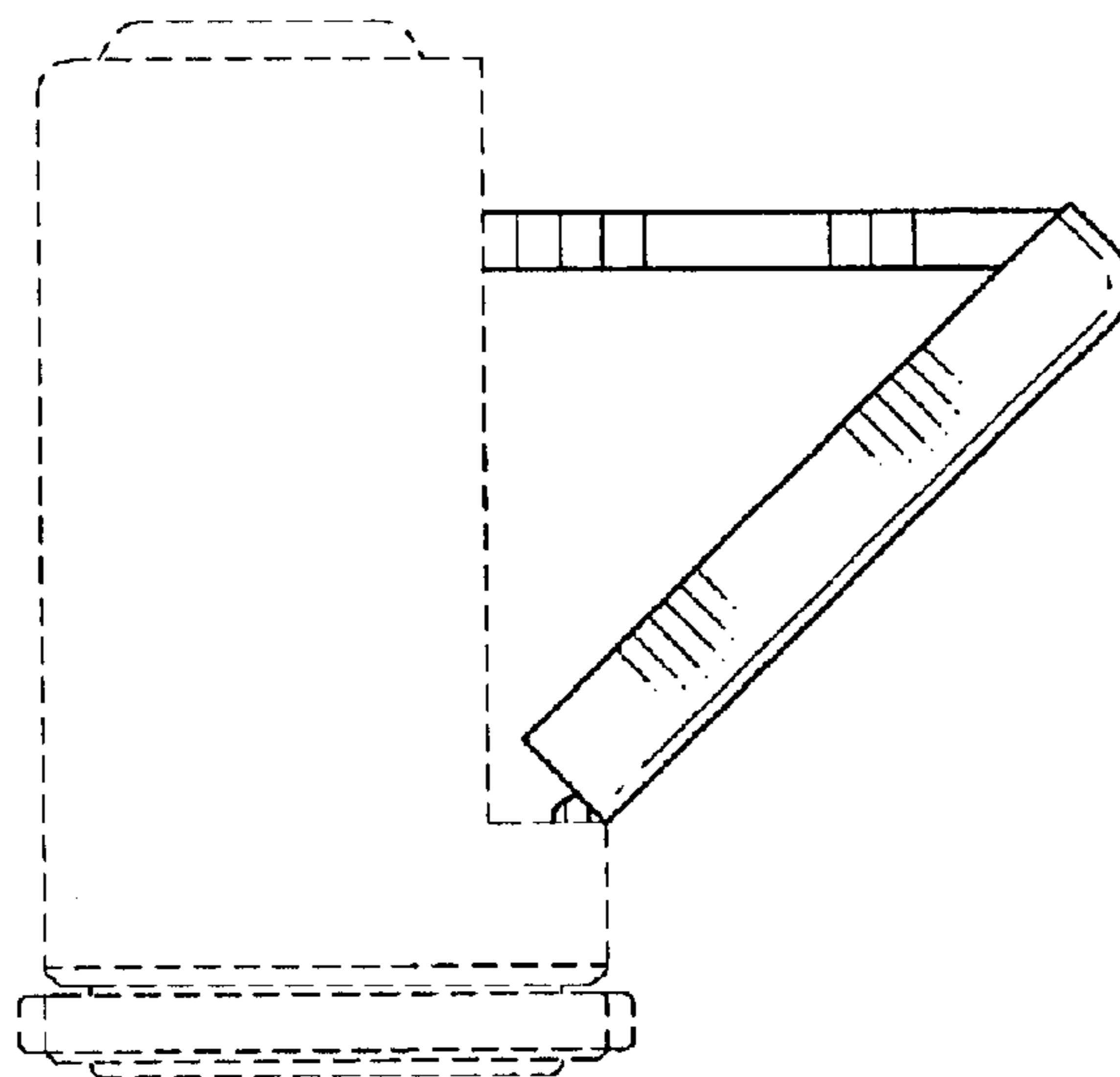


FIG.5

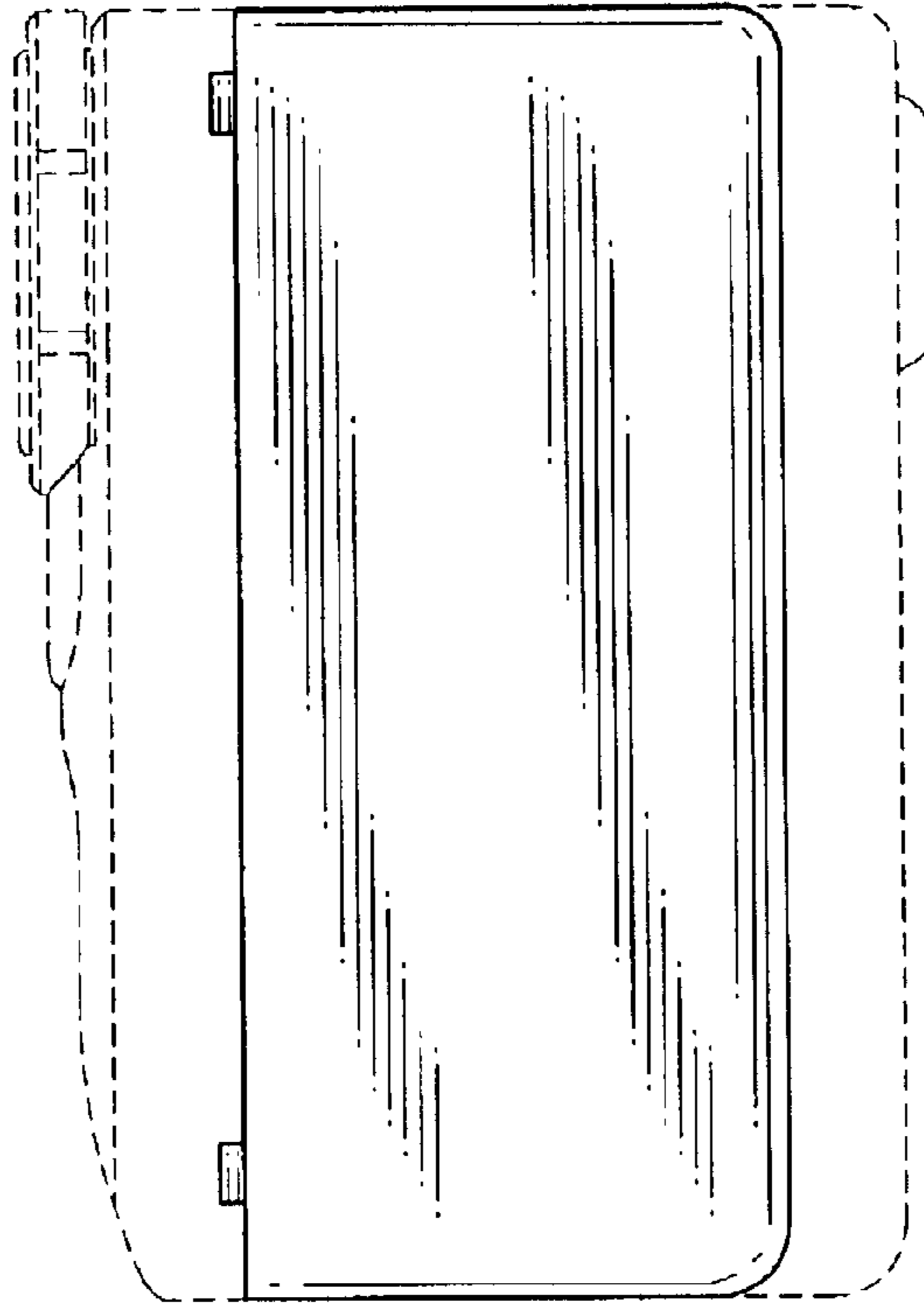


FIG.6

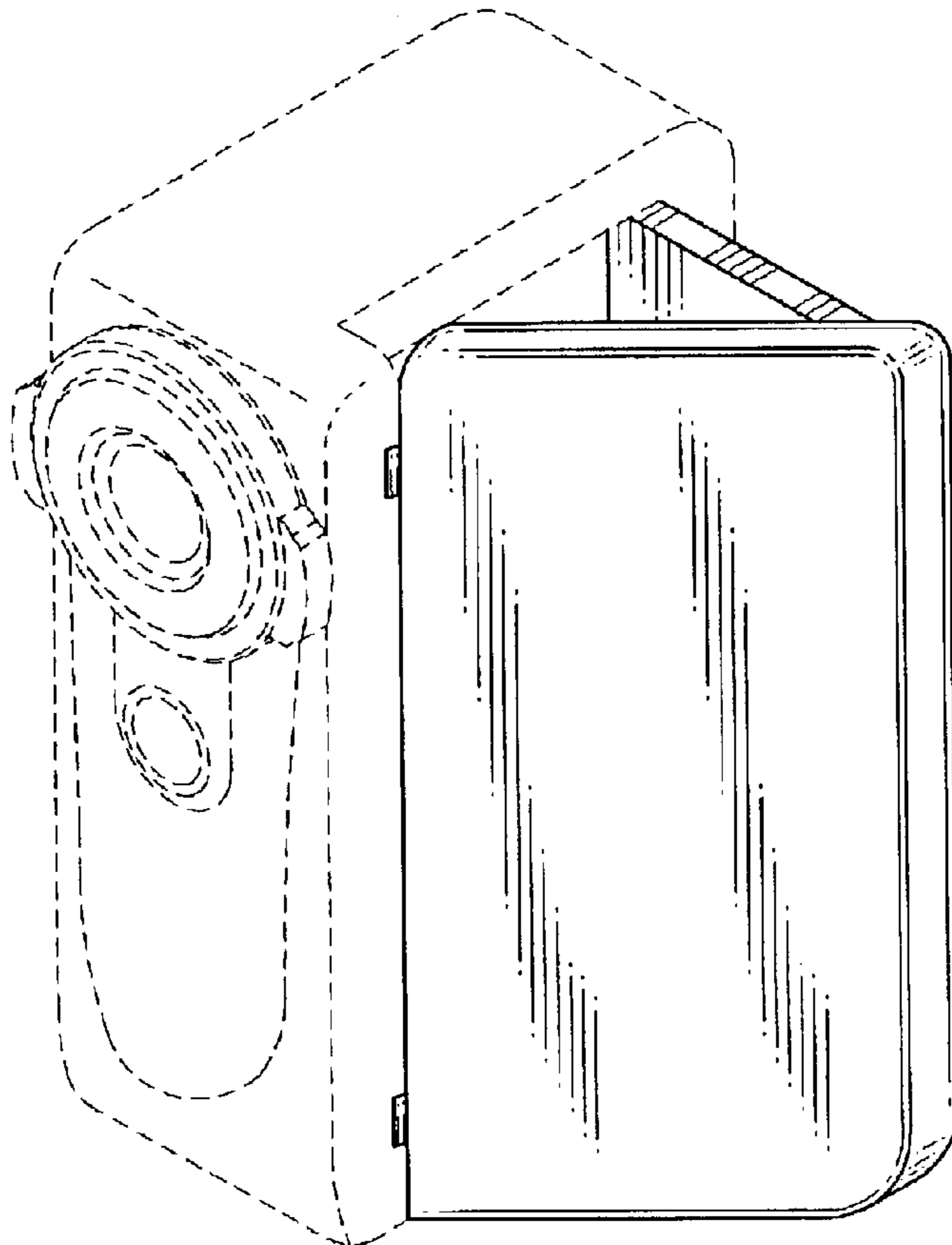


FIG. 7

