



US00D489744S

(12) **United States Design Patent**
Muto

(10) **Patent No.:** **US D489,744 S**

(45) **Date of Patent:** **** May 11, 2004**

- (54) **TELEVISION CAMERA FOR SURVEILLANCE**
- (75) Inventor: **Kanji Muto**, Chigasaki (JP)
- (73) Assignee: **Matsushita Electric Industrial Co., Ltd.**, Osaka (JP)
- (**) Term: **14 Years**
- (21) Appl. No.: **29/187,136**
- (22) Filed: **Jul. 28, 2003**
- (51) **LOC (7) Cl.** **16-01**
- (52) **U.S. Cl.** **D16/203**
- (58) **Field of Search** D16/200–205,
D16/208, 218; 348/373–376, 143; 352/242;
358/906; 396/427, 535, 536–541

- D416,272 S 11/1999 Adachi
- D426,844 S 6/2000 Fujii
- D446,801 S 8/2001 Adachi et al.
- 6,392,704 B1 5/2002 Garcia-Ortiz
- D470,520 S 2/2003 Yamakawa et al.
- D472,913 S * 4/2003 Rupe D16/202

FOREIGN PATENT DOCUMENTS

- JP D1080171 7/2000
- JP D1098427 1/2001

* cited by examiner

Primary Examiner—Adir Aronovich
(74) *Attorney, Agent, or Firm*—Brinks Hofer Gilson & Lione

(57) **CLAIM**

The ornamental design for a television camera for surveillance, as shown and described.

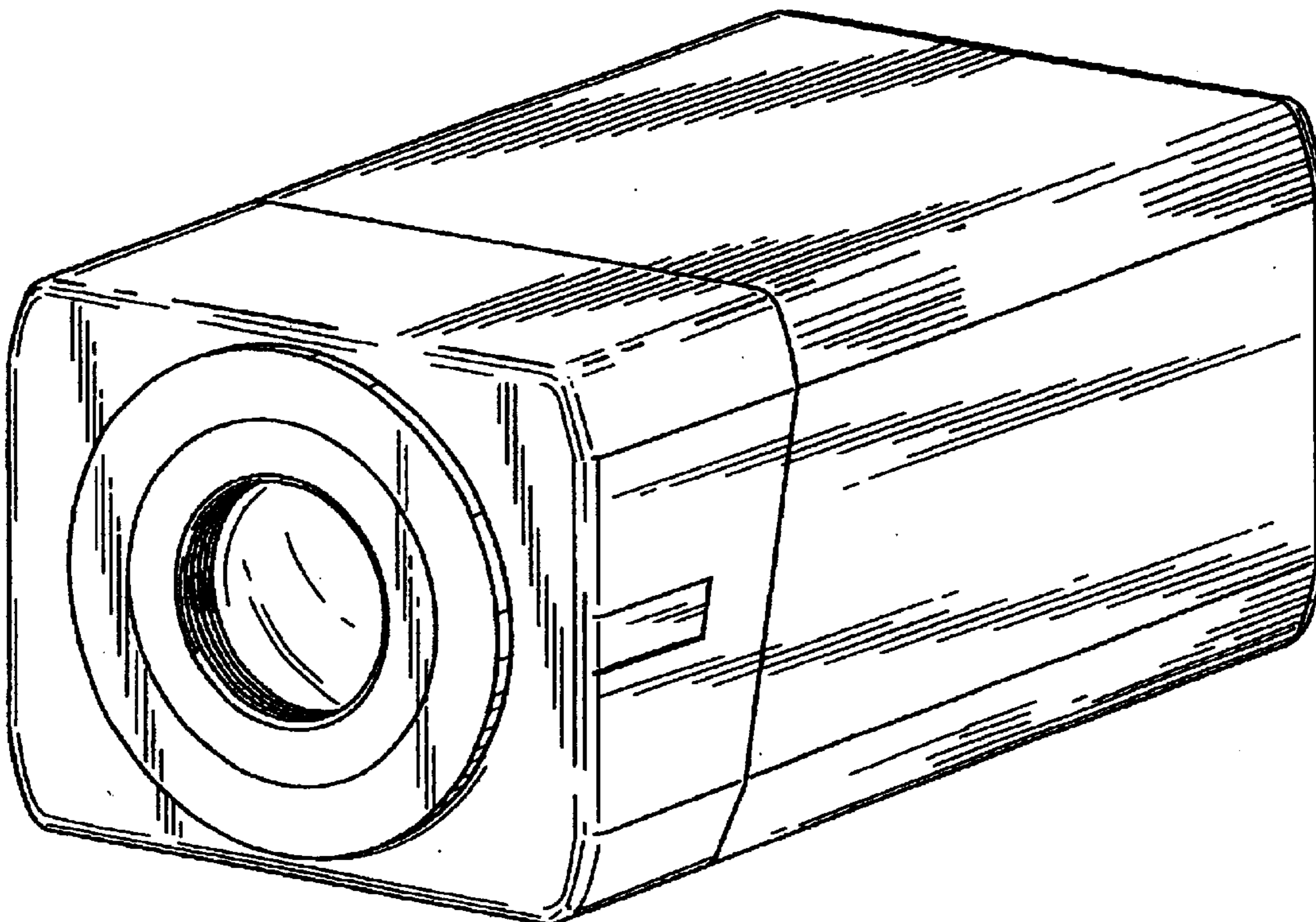
DESCRIPTION

FIG. 1 is a top perspective view of a television camera for surveillance of the present invention; FIG. 2 is a front view thereof; FIG. 3 is a top view thereof; FIG. 4 is a bottom view thereof; FIG. 5 is a first side view thereof; FIG. 6 is a second side view thereof; and, FIG. 7 is a rear view thereof.

1 Claim, 7 Drawing Sheets

(56) **References Cited**
U.S. PATENT DOCUMENTS

- 4,485,407 A * 11/1984 Bohm et al. 348/374
- D307,915 S * 5/1990 Kuester, III D16/203
- D366,270 S 1/1996 Hasegawa
- D366,271 S * 1/1996 Hasegawa D16/203
- D373,593 S 9/1996 Hiroko et al.
- 5,631,699 A 5/1997 Saito
- 5,790,910 A 8/1998 Haskin
- D409,641 S 5/1999 Uehara
- D410,936 S * 6/1999 Isono D16/202
- D416,033 S 11/1999 Kitera



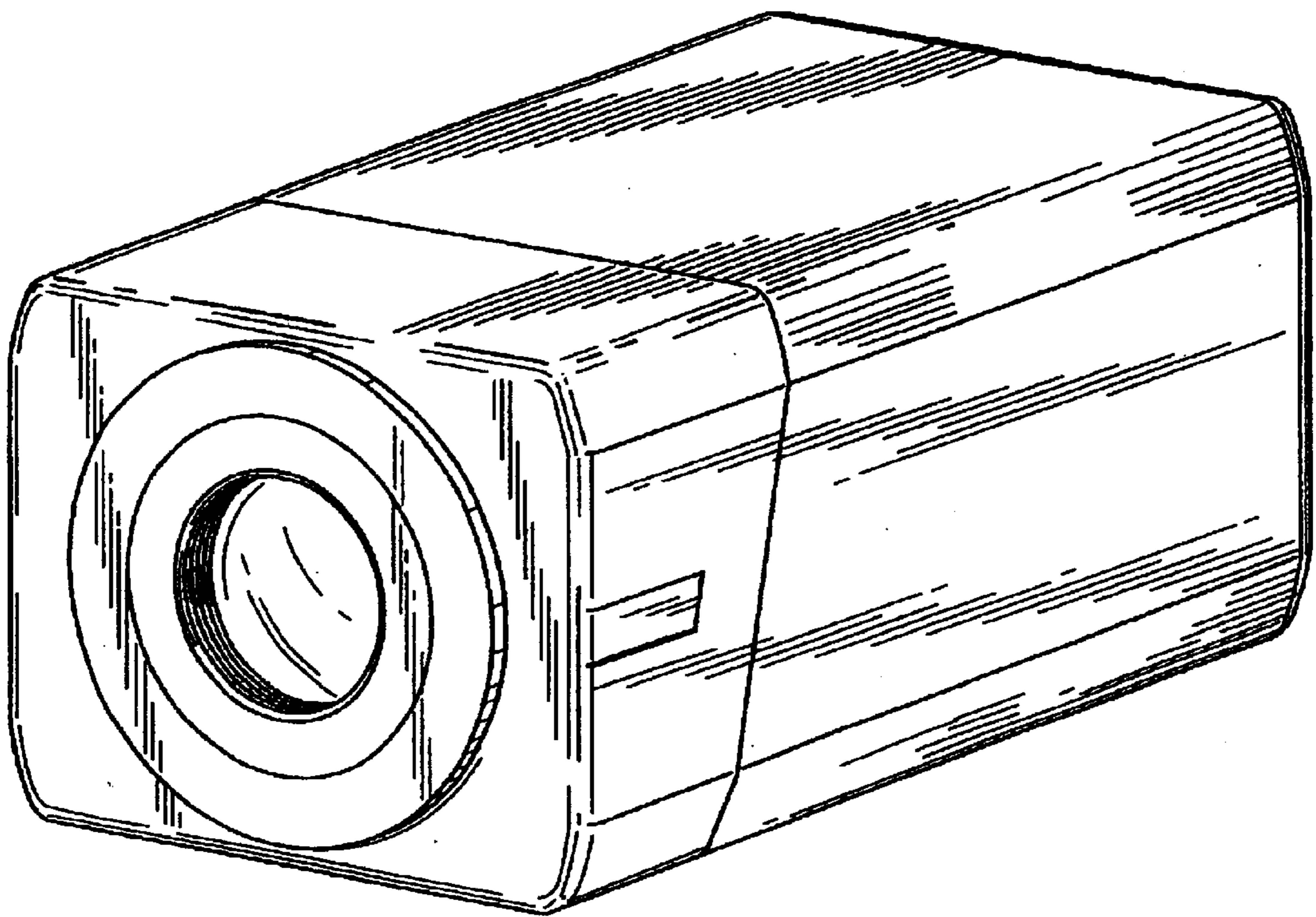


FIG 1

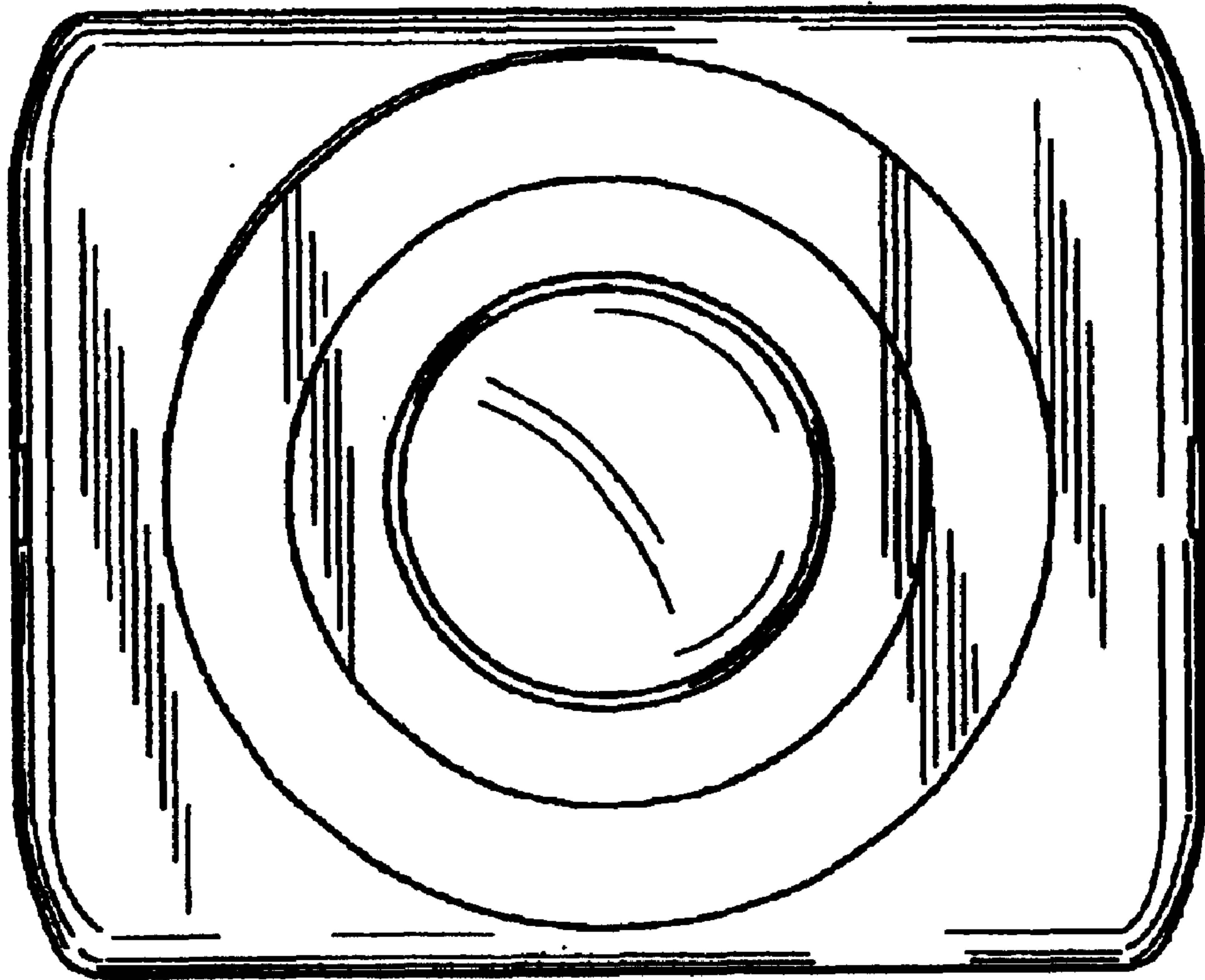


FIG 2

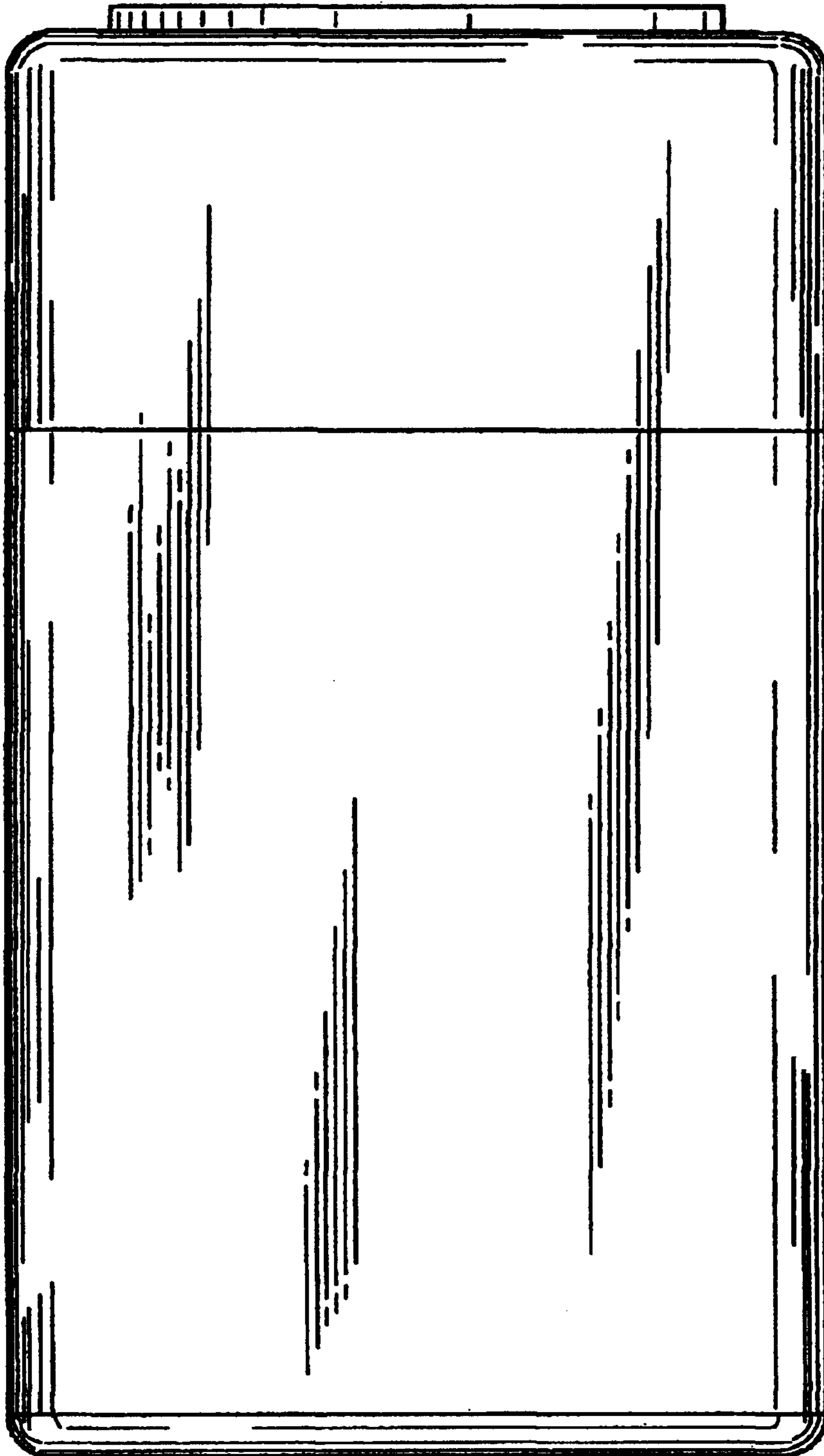


FIG 3

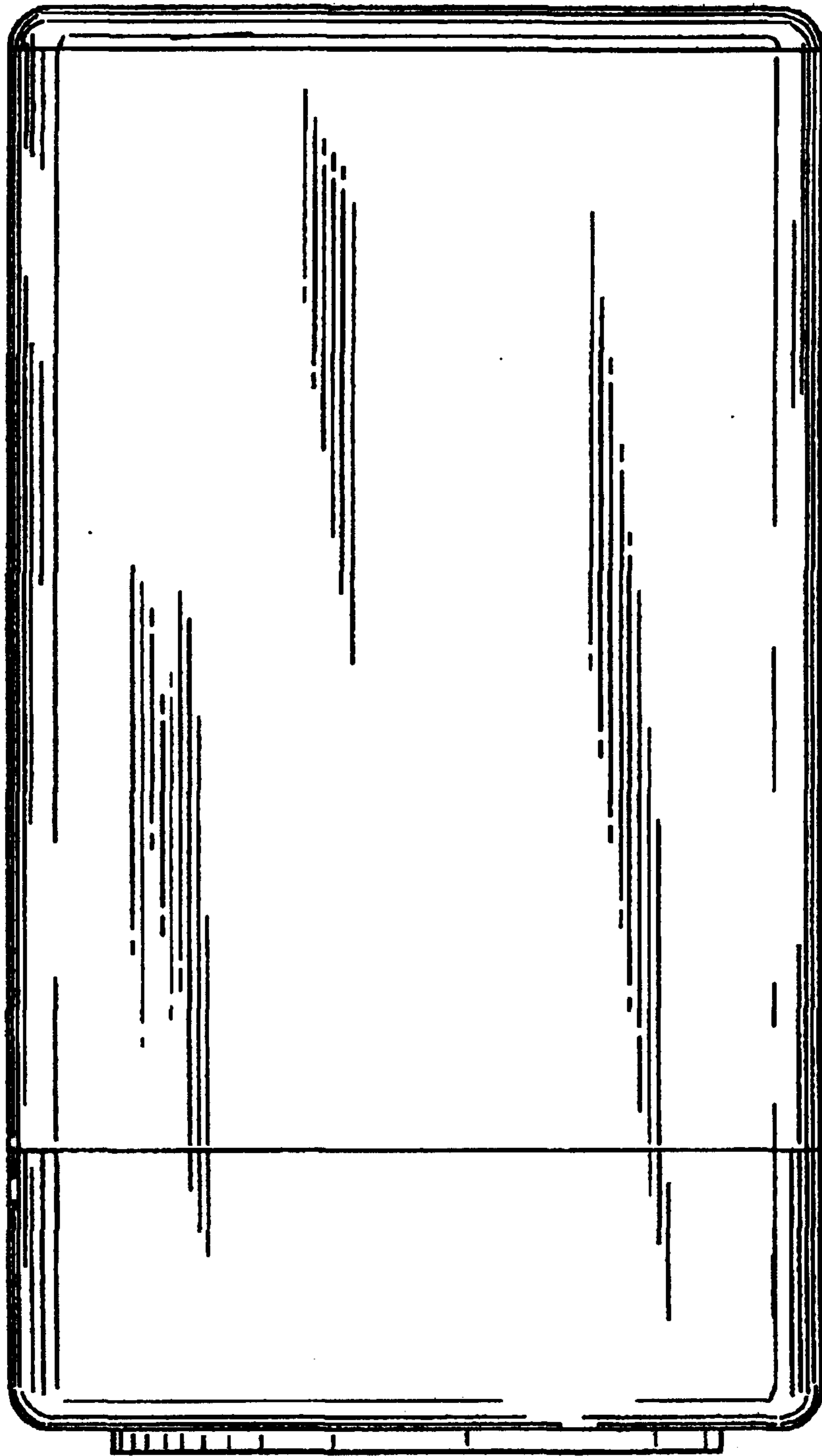


FIG 4

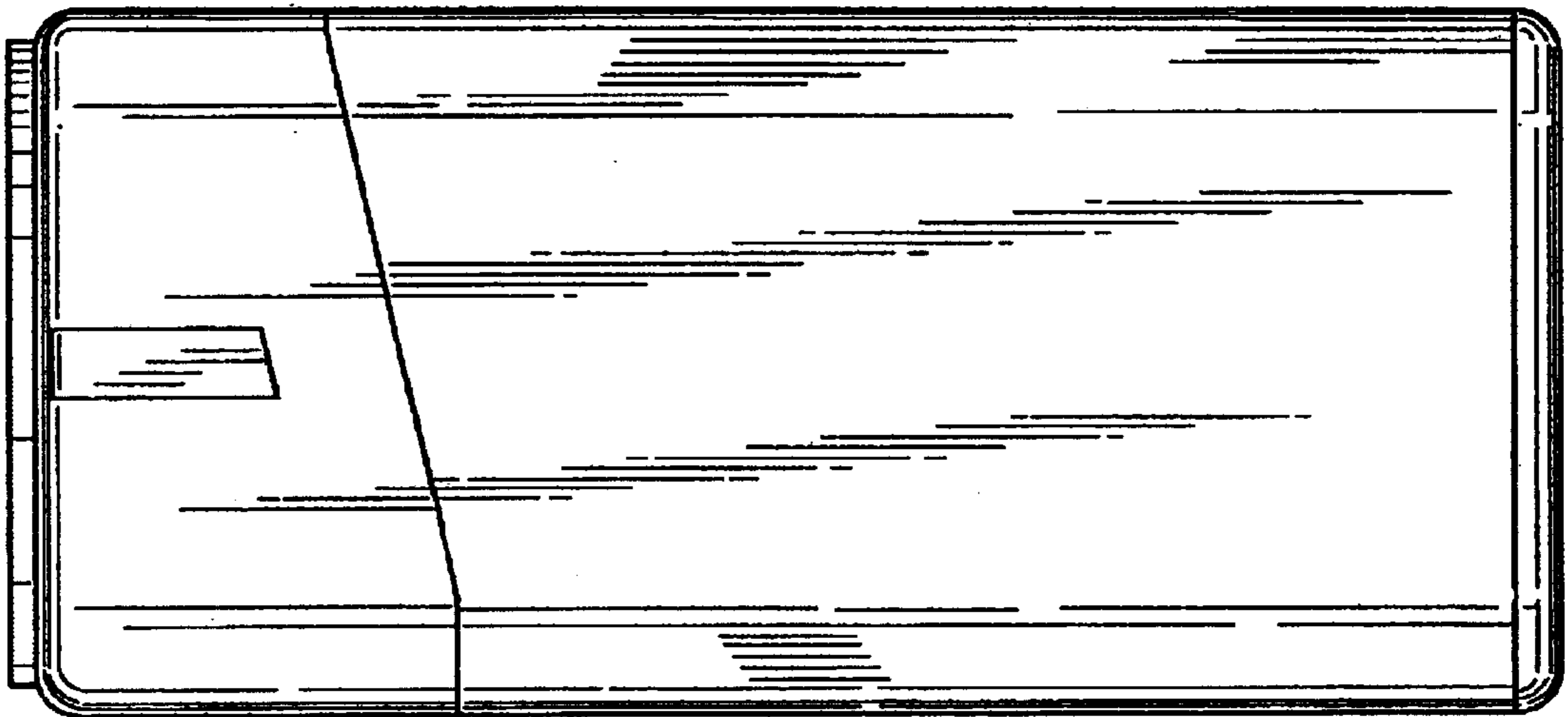


FIG 5

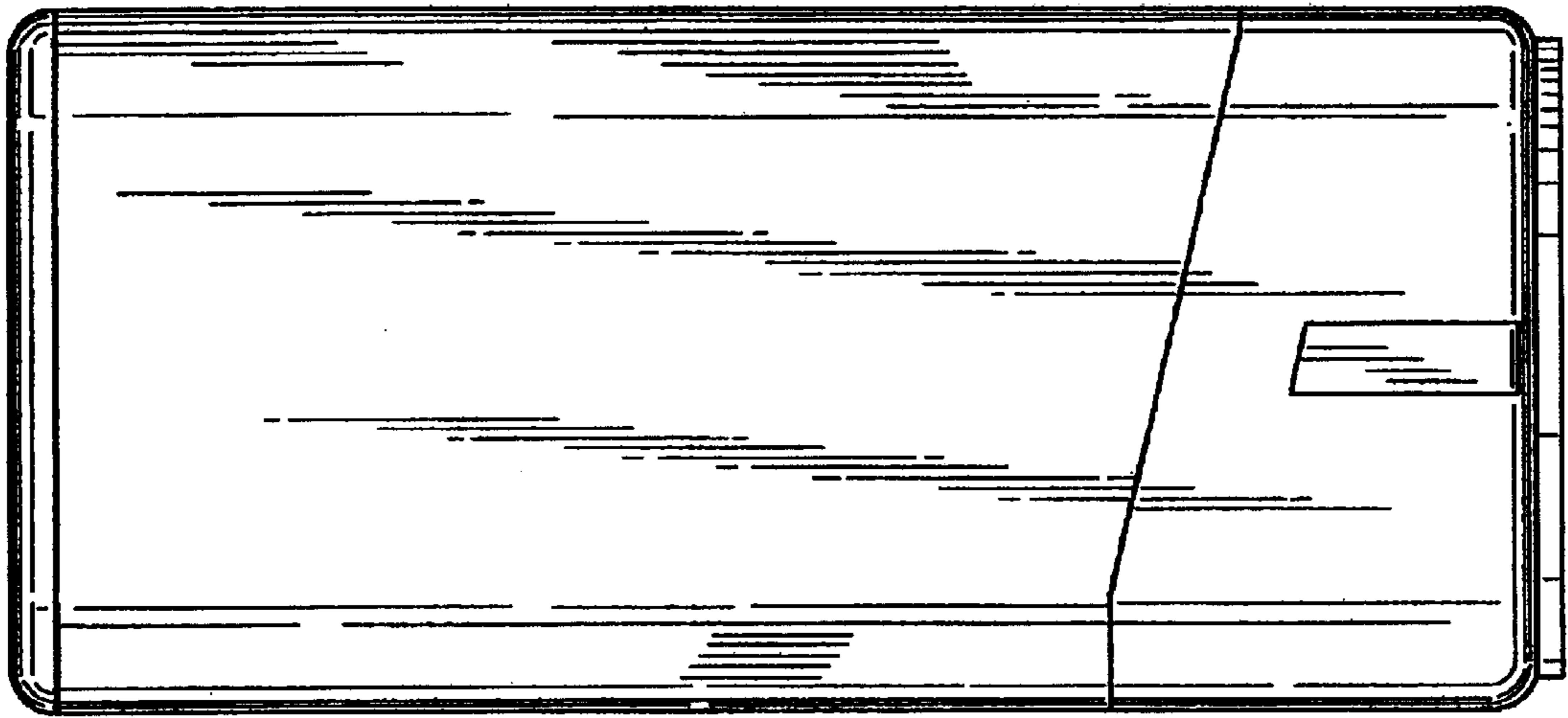


FIG 6

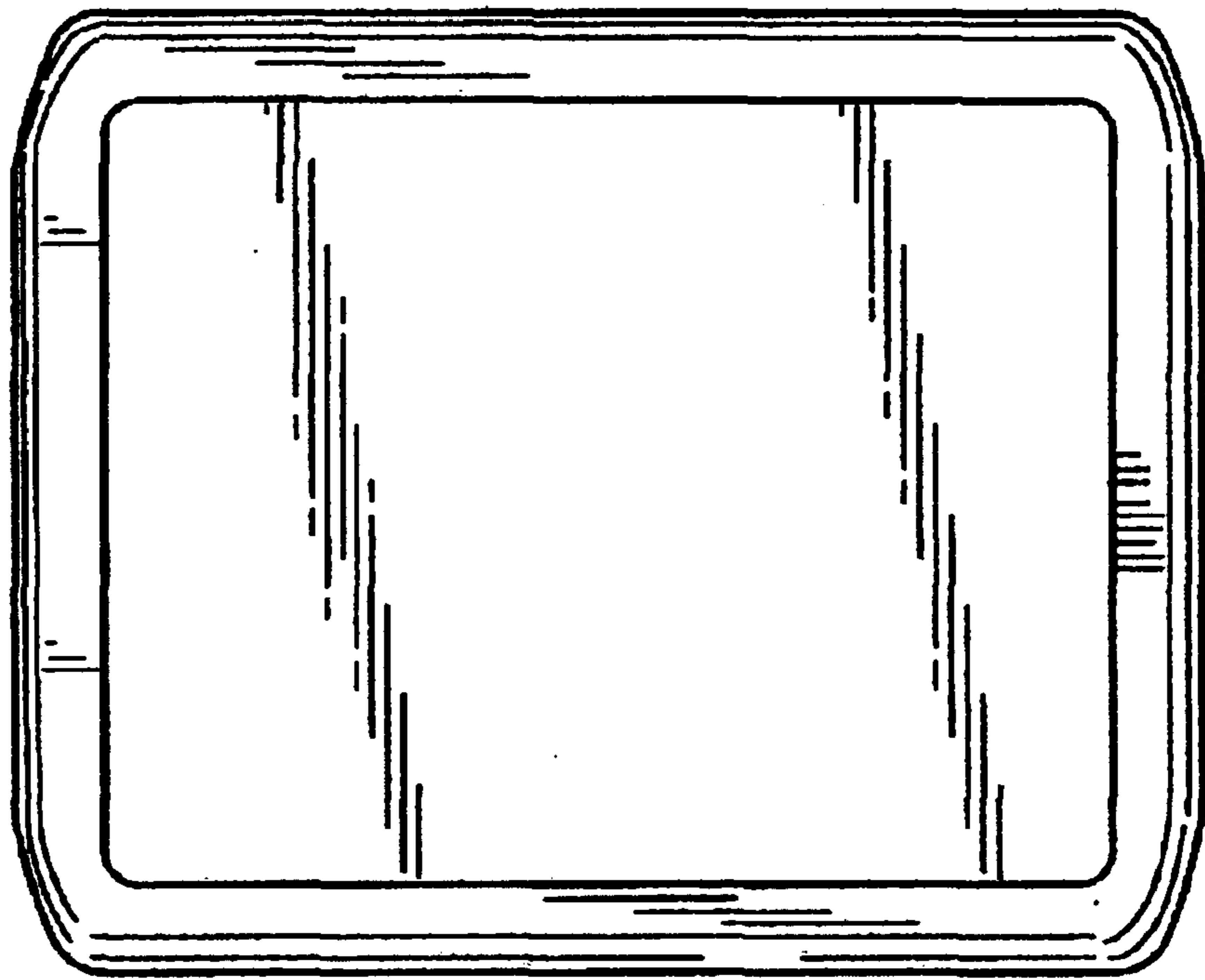


FIG 7