



US00D489738S

(12) **United States Design Patent**  
**Radermacher**

(10) **Patent No.:** **US D489,738 S**

(45) **Date of Patent:** **\*\* May 11, 2004**

(54) **MITER SAW STAND**

(75) Inventor: **Uwe Radermacher**, Weibern (DE)

(73) Assignee: **wolcraft GmbH**, Kempenich (DE)

(\*\*) Term: **14 Years**

(21) Appl. No.: **29/167,919**

(22) Filed: **Sep. 22, 2002**

(30) **Foreign Application Priority Data**

Mar. 25, 2002 (DE) ..... 4 02 02 805

(51) **LOC (7) Cl.** ..... **15-09**

(52) **U.S. Cl.** ..... **D15/140**

(58) **Field of Search** ..... D15/133, 140,  
D15/141; 144/287, 286.1–286.5, 285; 83/477.2,  
471.1–471.3

(56) **References Cited**

**U.S. PATENT DOCUMENTS**

- 4,308,934 A \* 1/1982 Jackson et al. .... D15/140 X
- 4,448,102 A \* 5/1984 Thornton ..... 83/471.1
- 5,161,590 A \* 11/1992 Otto ..... 144/286 R
- 5,592,981 A \* 1/1997 Derektor ..... 144/286.1
- 5,778,953 A \* 7/1998 Braddock ..... 144/286.1

- 5,836,365 A \* 11/1998 Derektor ..... 144/287
- D437,864 S \* 2/2001 Van Cleave et al. .... D15/140

\* cited by examiner

*Primary Examiner*—Antoine Duval Davis

(74) *Attorney, Agent, or Firm*—Bell, Boyd & Lloyd LLC

(57) **CLAIM**

The ornamental design for the miter saw stand, as shown and described.

**DESCRIPTION**

FIG. 1 is a front elevational view of a miter saw stand of the claimed design.

FIG. 2 is a left side elevational view of the miter saw stand of FIG. 1.

FIG. 3 is a rear elevational view of the miter stand of FIG. 1.

FIG. 4 is a right side elevational view of the miter saw stand of FIG. 1.

FIG. 5 is a top plan view of the miter saw stand of FIG. 1.

FIG. 6 is a bottom plan view of the miter saw stand of FIG. 1; and,

FIG. 7 is a perspective view of the miter saw stand of FIG. 1.

**1 Claim, 5 Drawing Sheets**

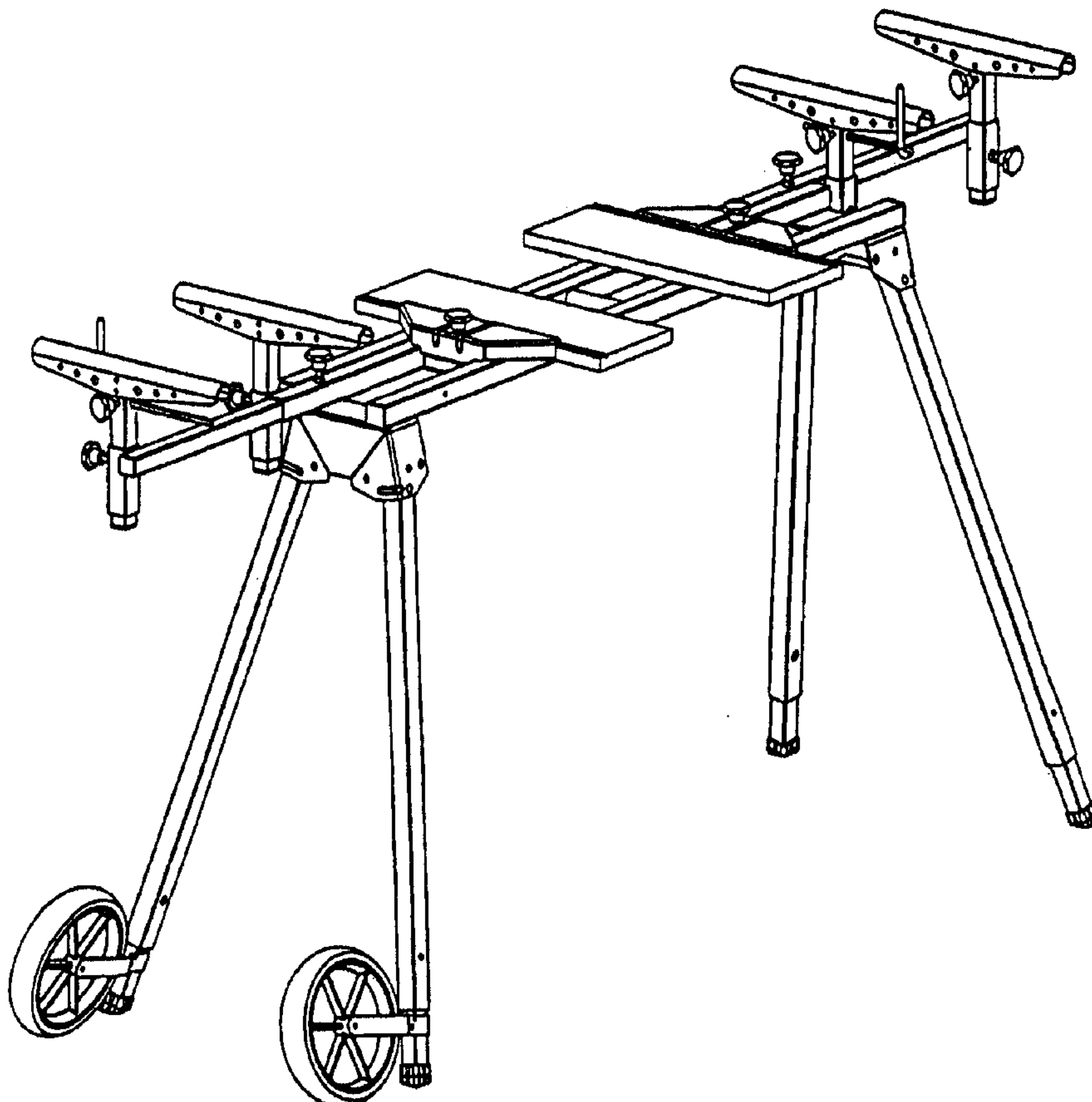


FIG. 1

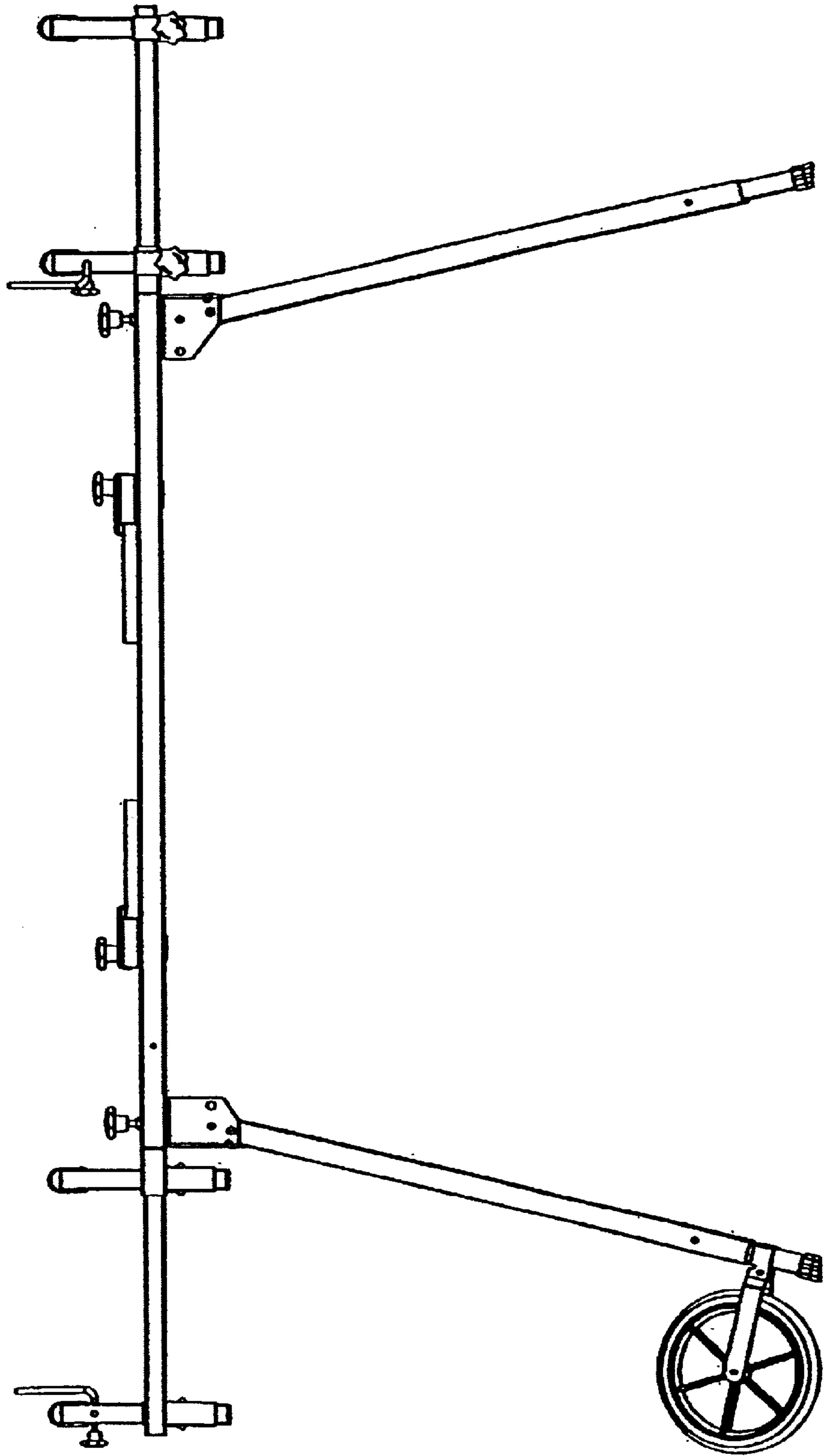


FIG. 2

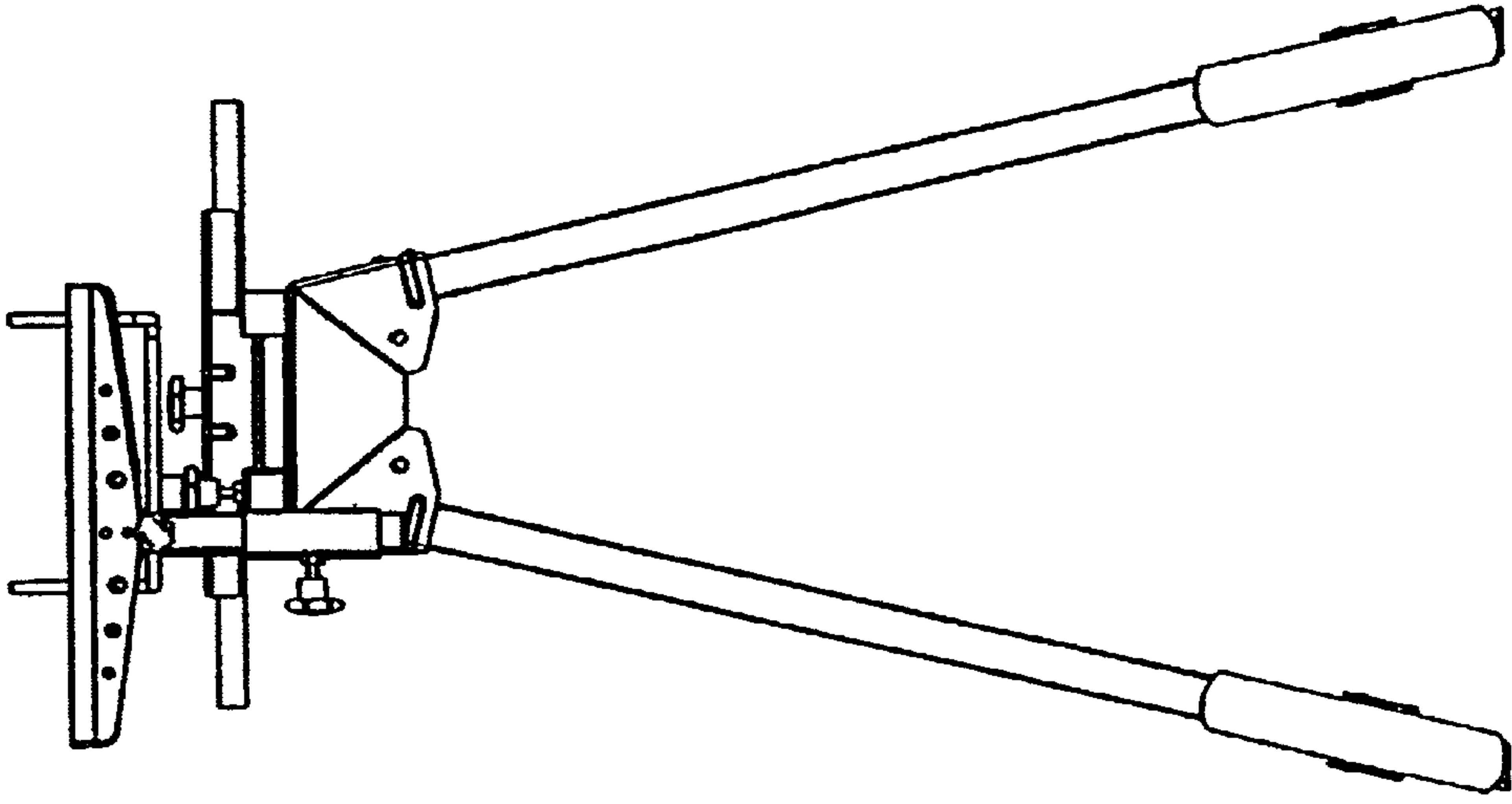


FIG. 4

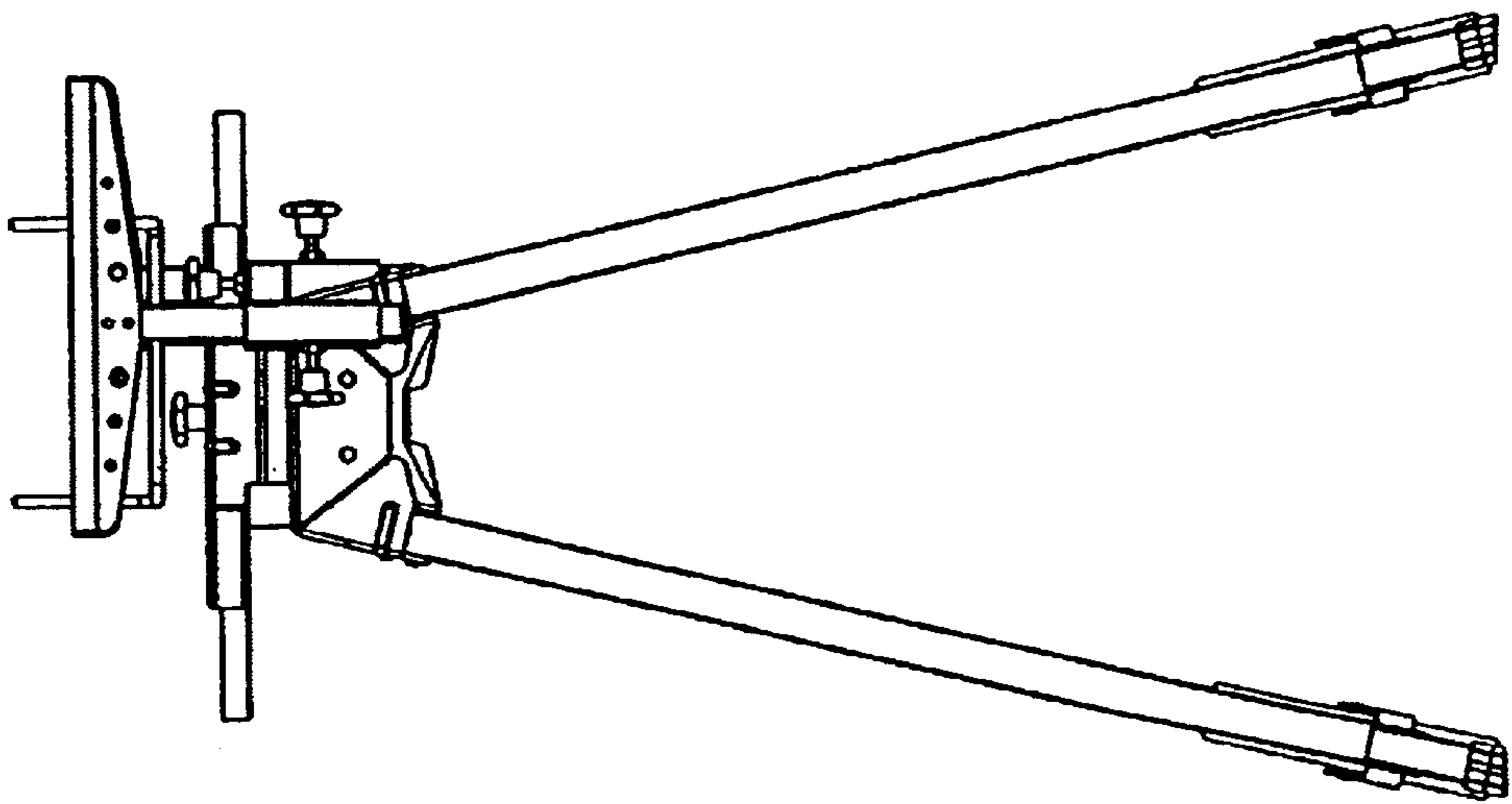


FIG. 3

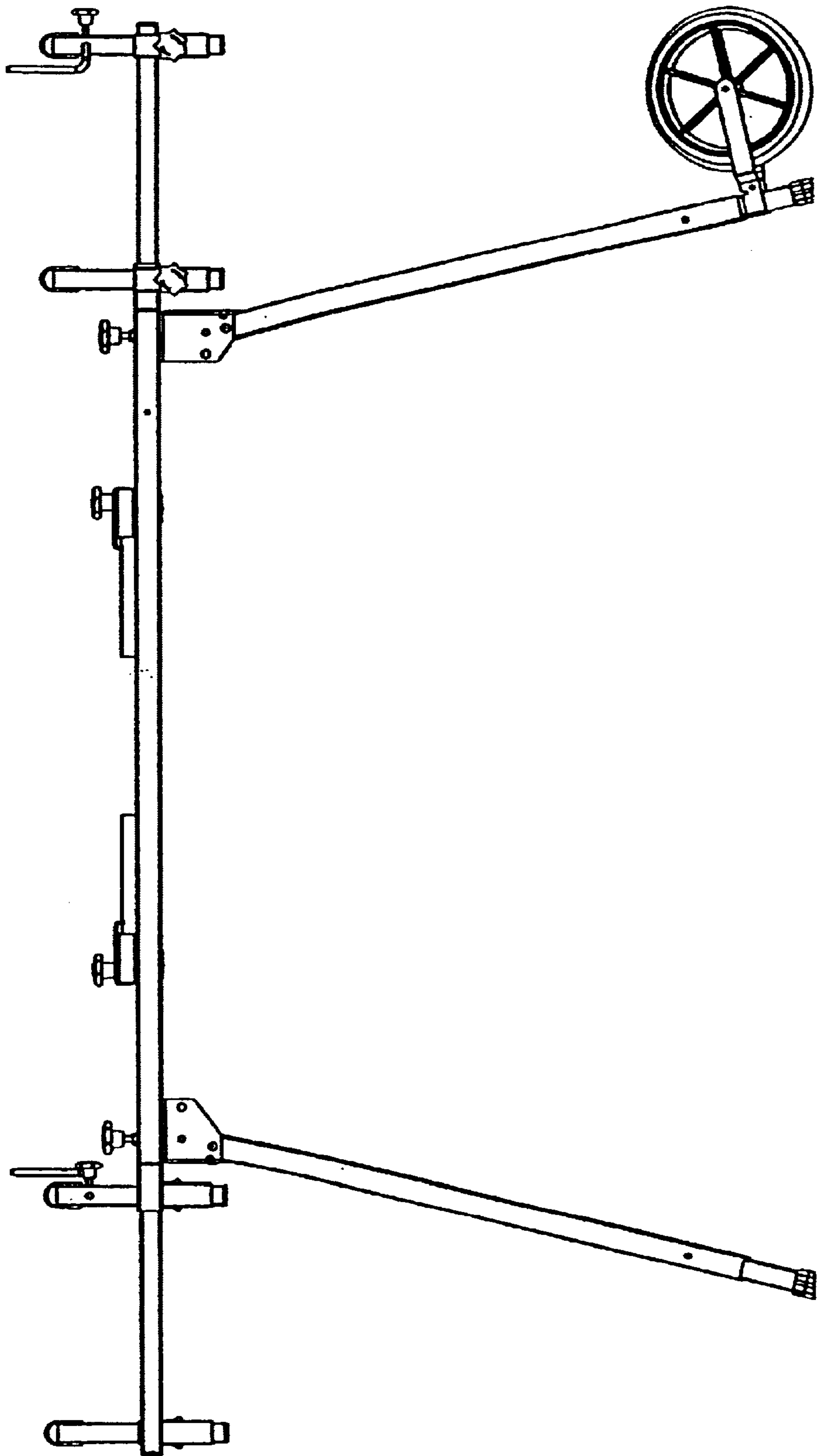


FIG. 6

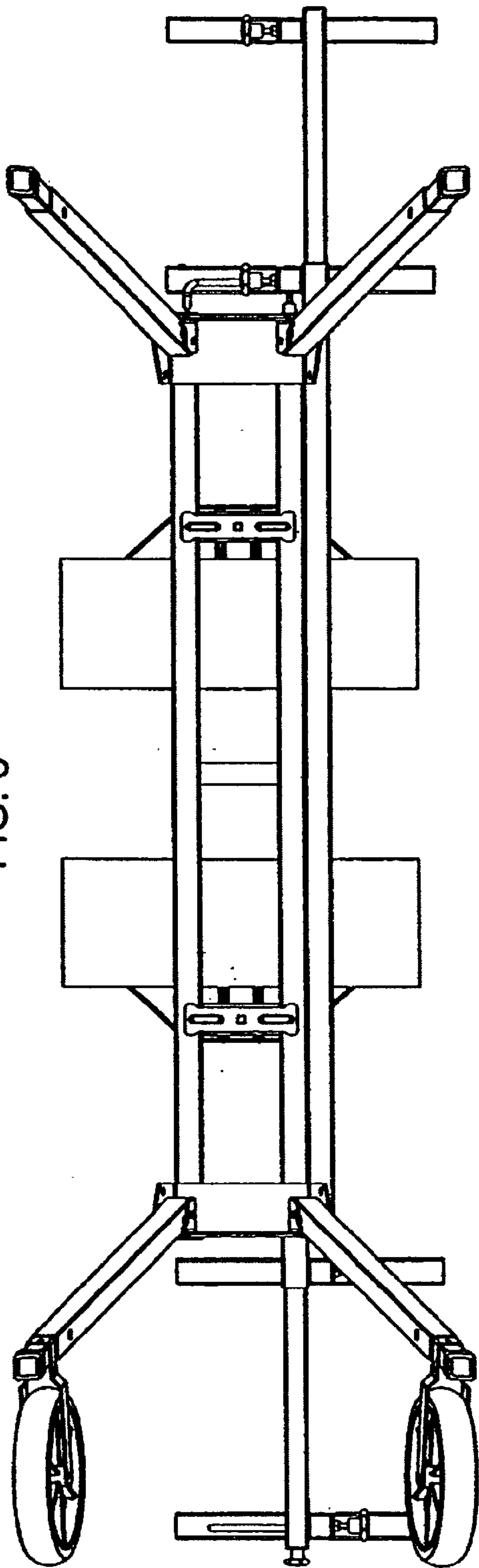
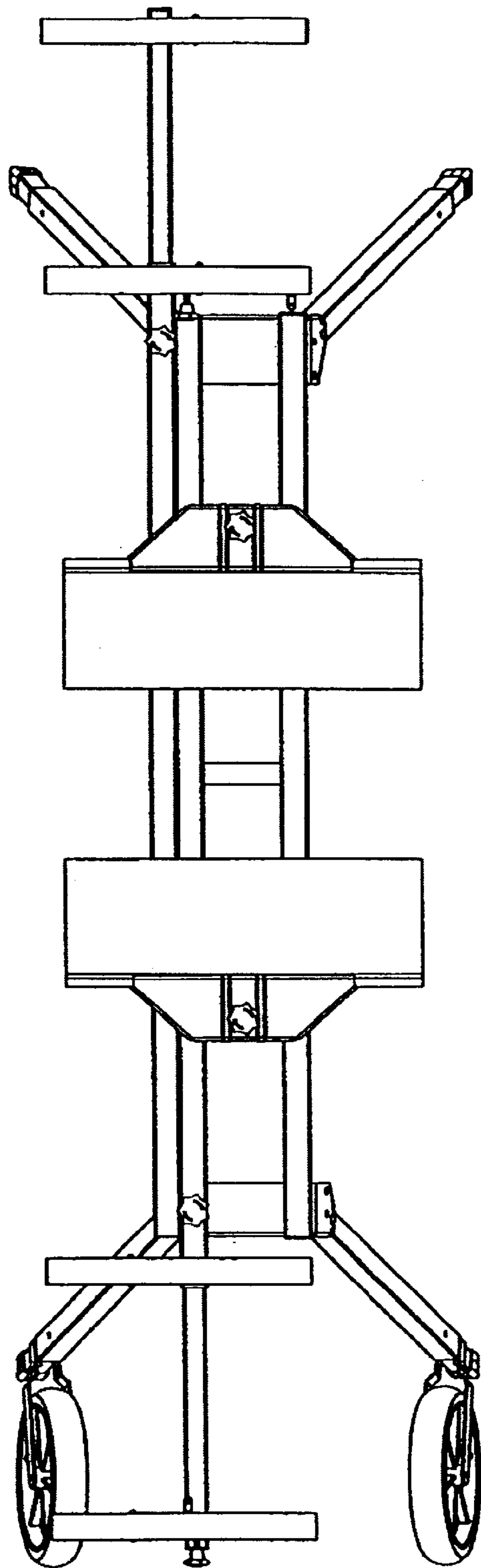


FIG. 5



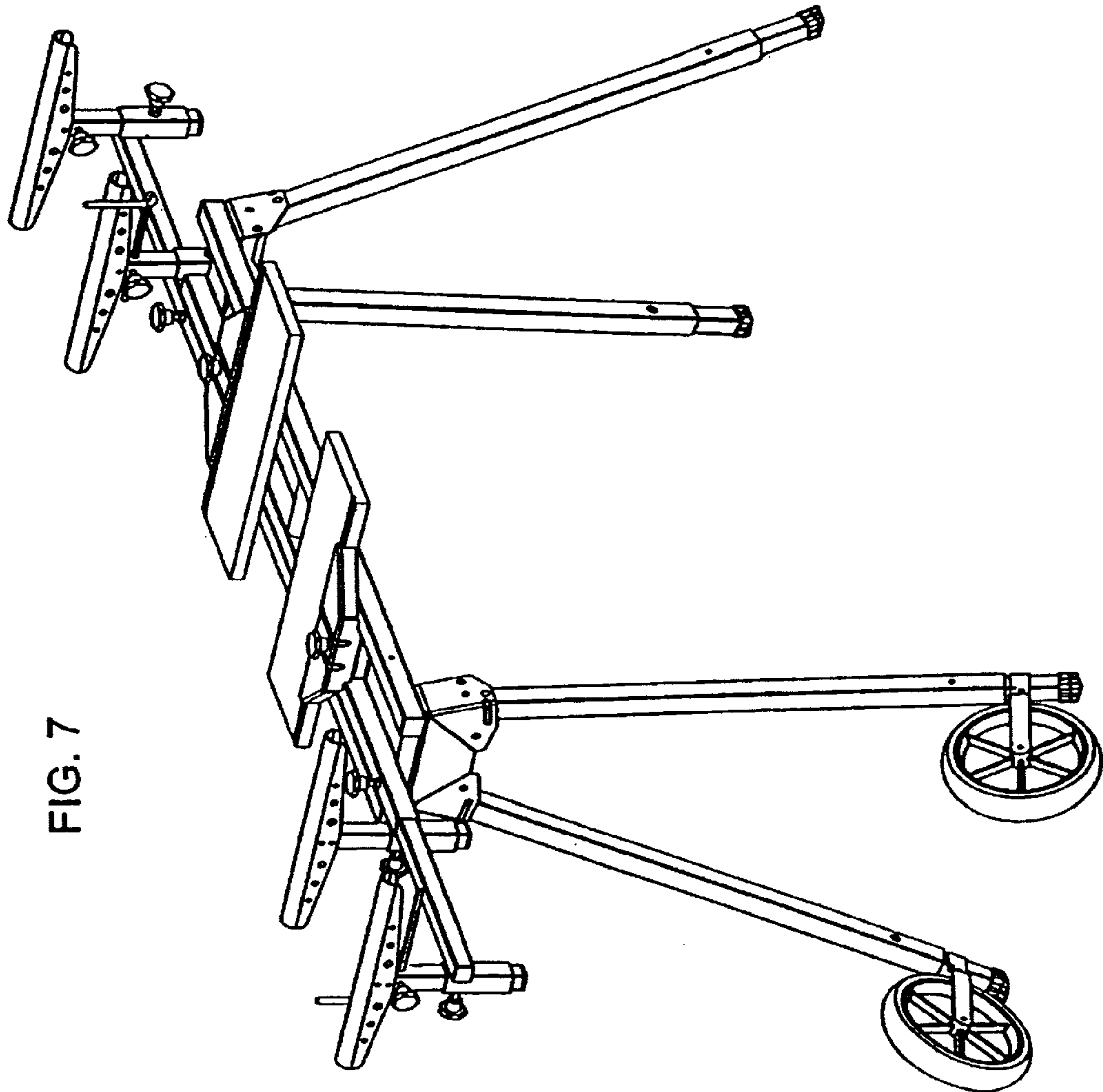


FIG. 7