



US00D489736S

(12) **United States Design Patent**
Harper et al.

(10) **Patent No.: US D489,736 S**

(45) **Date of Patent: ** May 11, 2004**

(54) **CONTROL PANEL FOR A COMPRESSOR**

(75) Inventors: **Douglas R. Harper**, Harrison, OH (US); **James Louis Tobergta**, Batavia, OH (US); **Tony Michael Guard**, Union, KY (US); **Joseph Robert Stephens**, Middletown, OH (US)

(73) Assignee: **Campbell Hausfeld/Scott Fetzer Company**, Harrison, OH (US)

(**) Term: **14 Years**

(21) Appl. No.: **29/177,114**

(22) Filed: **Mar. 4, 2003**

Related U.S. Application Data

(62) Division of application No. 29/156,415, filed on Feb. 27, 2002, now Pat. No. Des. 475,721.

(51) **LOC (7) Cl.** **15-02**

(52) **U.S. Cl.** **D15/59**

(58) **Field of Search** D15/7-9; 415/148; 417/234, 321, 410.1, 413.1, 63, 415, 423.3, 486, 521, 534, 235, 313, 201, 76, 368

(56) **References Cited**

U.S. PATENT DOCUMENTS

D327,891 S * 7/1992 Morgan D15/9

D398,011 S * 9/1998 Wang D15/9
D434,048 S * 11/2000 Orschell et al. D15/9
6,431,839 B2 * 8/2002 Gruber et al. 417/234
D470,865 S * 2/2003 Wang D15/9

OTHER PUBLICATIONS

A color copy of one side of a two-sided Campbell Hausfeld catalog sheet for a "1.5HP Tankless Air Compressor" model FP2031/FP2032, Dec. 2001.

* cited by examiner

Primary Examiner—Ralf Seifert

(74) *Attorney, Agent, or Firm*—Jones Day

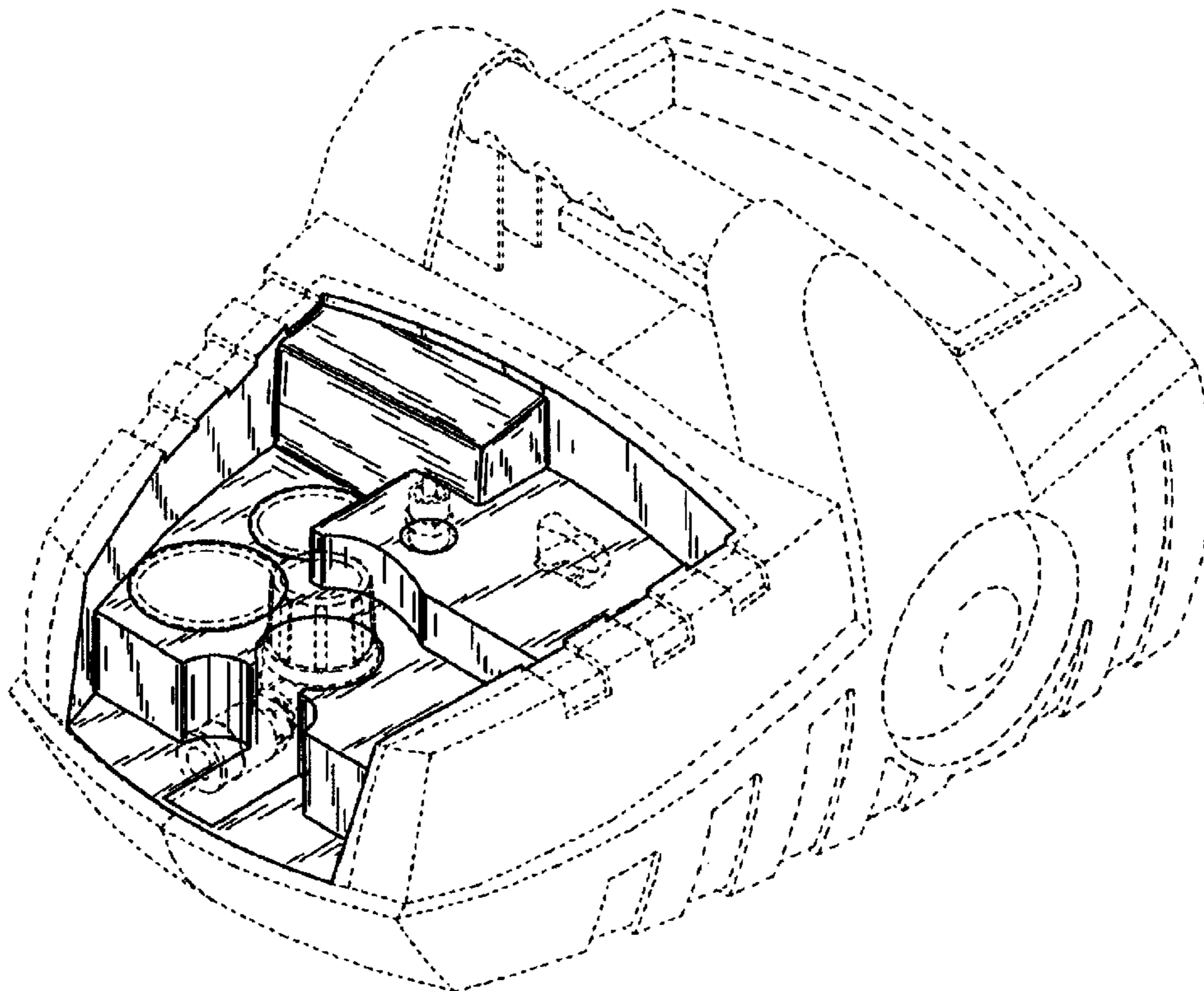
(57) **CLAIM**

We claim the ornamental design for a control panel for a compressor, as shown and described.

DESCRIPTION

FIG. 1 is a perspective view of a compressor that includes a control panel that embodies the ornamental design of the present invention; FIG. 2 is a perspective view of the control panel of FIG. 1; FIG. 3 is top view of the control panel of FIG. 1; and, FIG. 4 is front view of the control panel of FIG. 1. The broken line showings in FIGS. 1-4 are for illustrative purposes only and form no part of the claimed design.

1 Claim, 3 Drawing Sheets



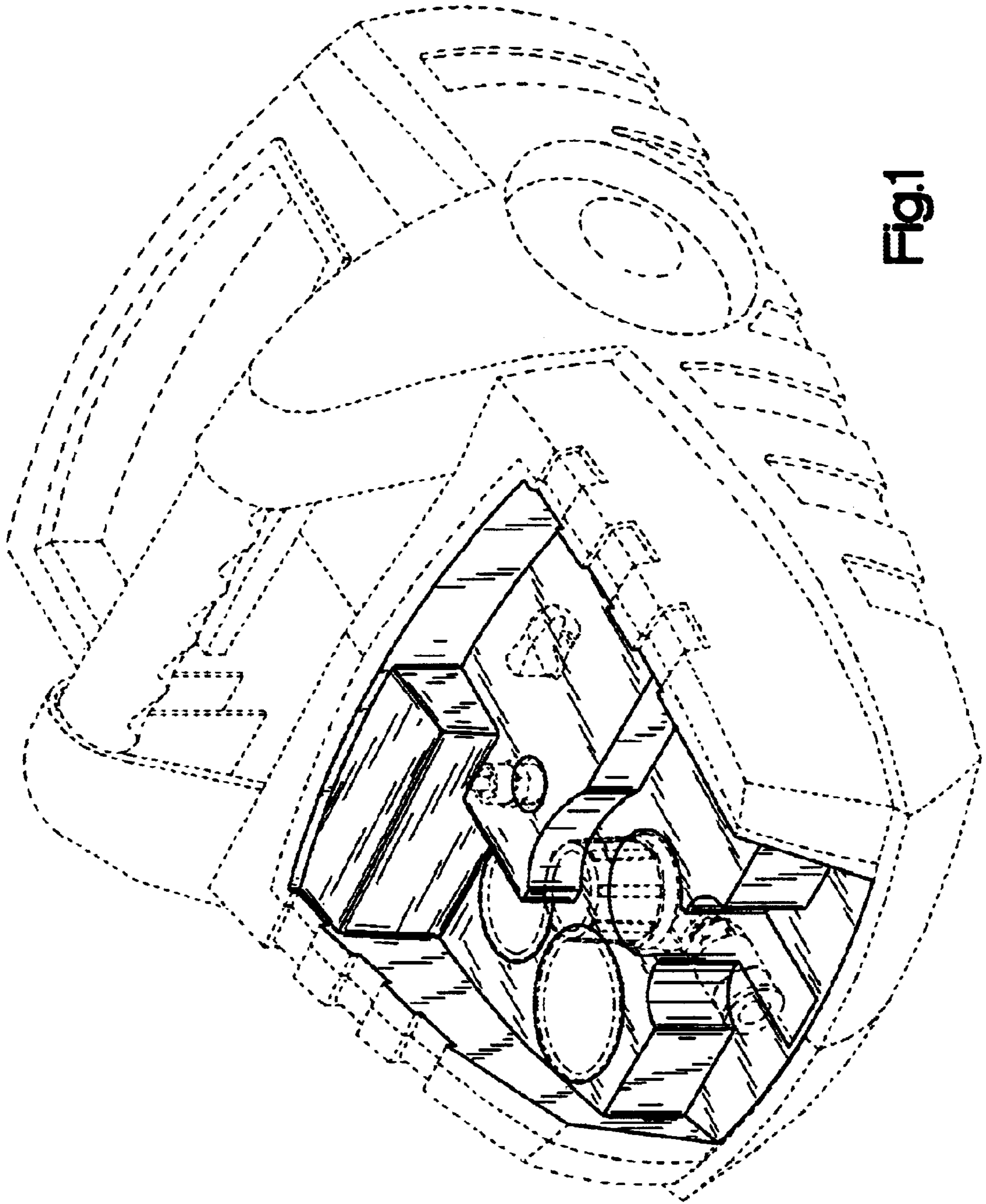


Fig.1

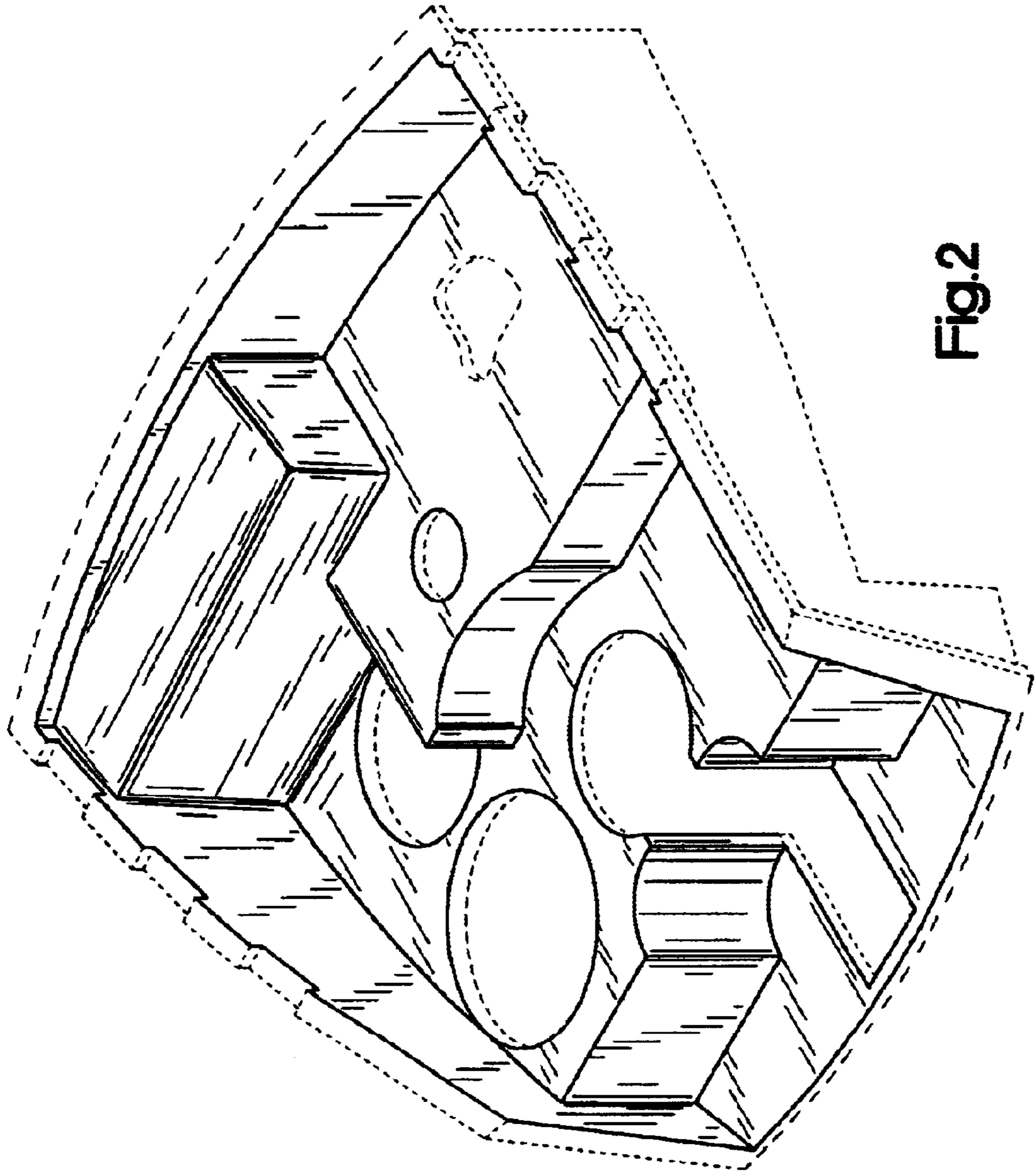


Fig.2

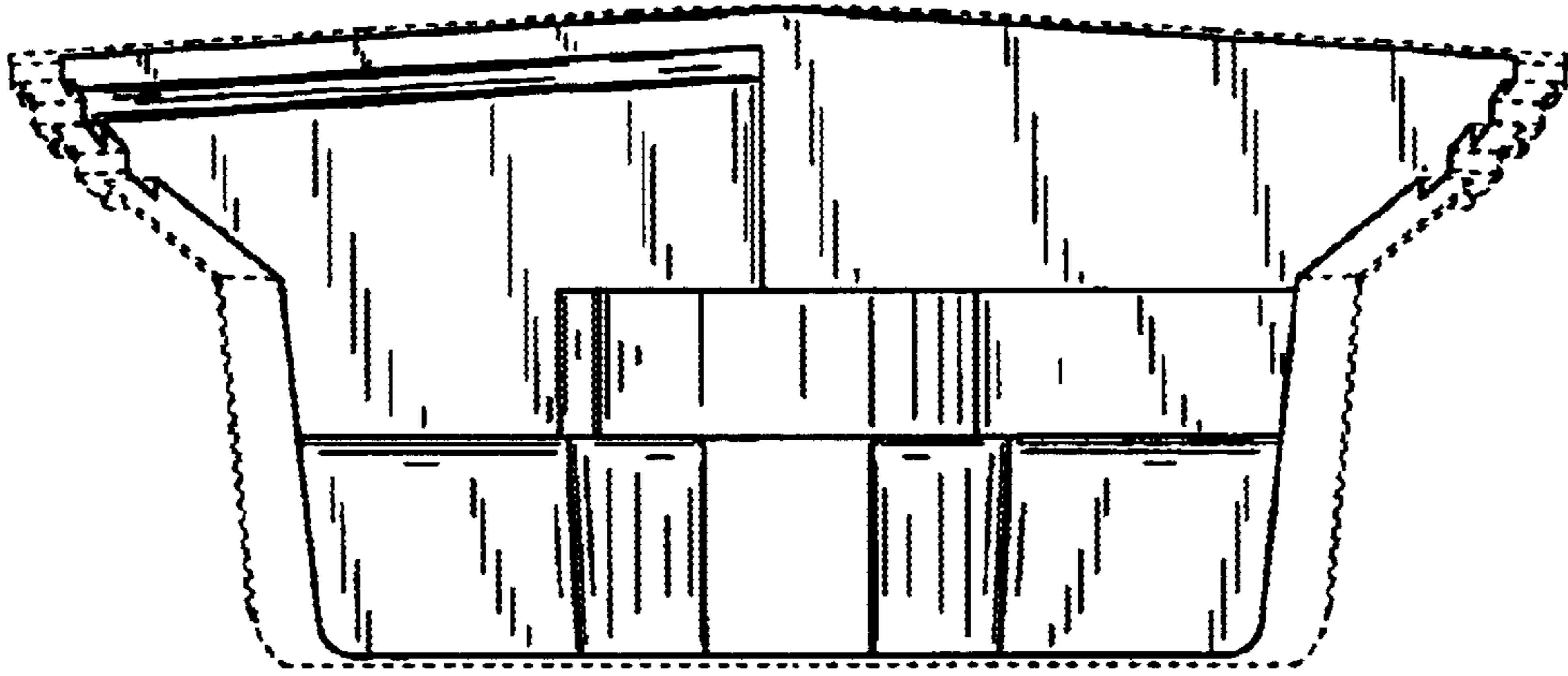


Fig.3

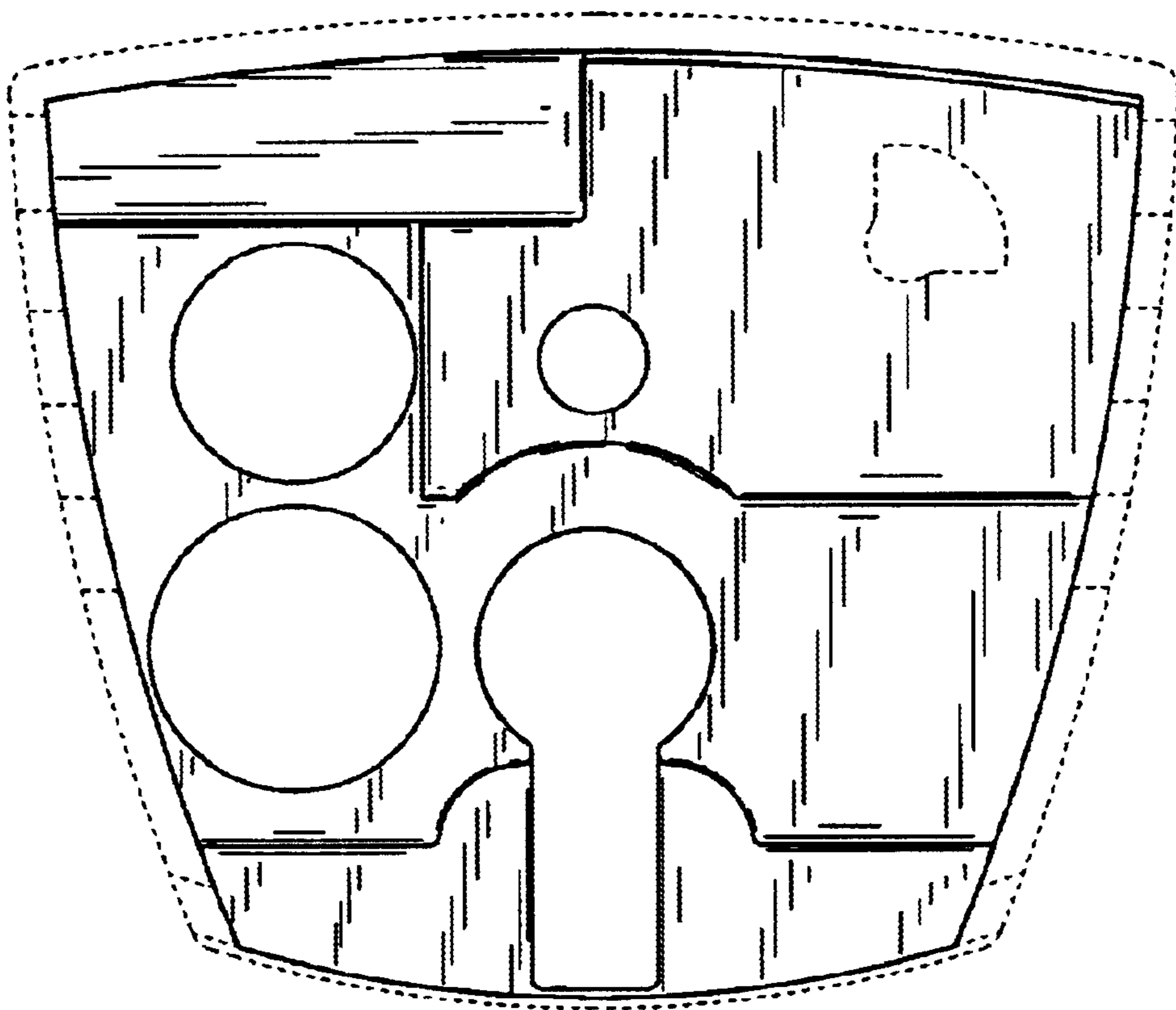


Fig.4