



US00D489735S

(12) **United States Design Patent**
Lin

(10) **Patent No.:** **US D489,735 S**

(45) **Date of Patent:** **** May 11, 2004**

(54) **TRIMMER ATTACHMENT FOR LAWN MOWER**

(75) **Inventor:** **Paul Lin, Yung Kang (TW)**

(73) **Assignee:** **Macauto Industrial Co., Ltd. (TW)**

(**) **Term:** **14 Years**

(21) **Appl. No.:** **29/186,888**

(22) **Filed:** **Jul. 24, 2003**

(51) **LOC (7) Cl.** **15-03**

(52) **U.S. Cl.** **D15/17**

(58) **Field of Search** **D15/14, 17; 56/16.7, 56/16.8, 16.9, 17.2, 237, 249, 256, 320.1, 320.2**

(56) **References Cited**

U.S. PATENT DOCUMENTS

D304,728 S	*	11/1989	Piorkowski	D15/16
D311,009 S	*	10/1990	Wilkins	D15/17
D334,200 S	*	3/1993	Clifton	D15/17
D339,145 S	*	9/1993	Earley, Jr.	D15/17

* cited by examiner

Primary Examiner—Mitchell Siegel
(74) *Attorney, Agent, or Firm*—Mattingly, Stanger & Malur, P.C.

(57) **CLAIM**

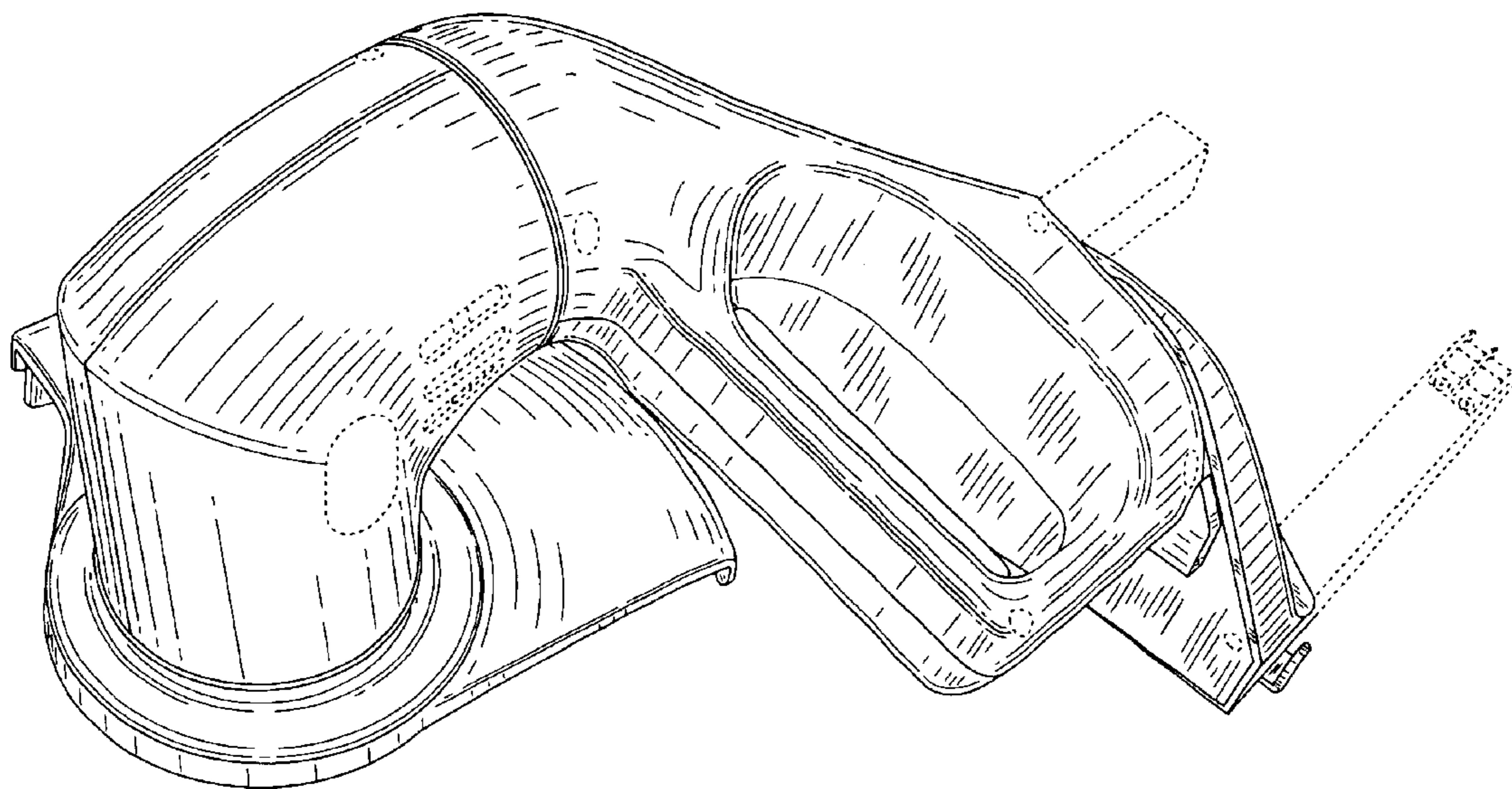
The ornamental design for a trimmer attachment for lawn mower, as shown and described.

DESCRIPTION

FIG. 1 is a front, right side perspective view of a trimmer attachment for lawn mower showing the design;
FIG. 2 is a rear elevational view thereof;
FIG. 3 is a front elevational view thereof;
FIG. 4 is a left side elevational view thereof;
FIG. 5 is a right side elevational view thereof;
FIG. 6 is a top plan view thereof; and,
FIG. 7 is a bottom plan view thereof.

The broken line showing is for illustrative purposes only and forms no part of the claimed design.

1 Claim, 7 Drawing Sheets



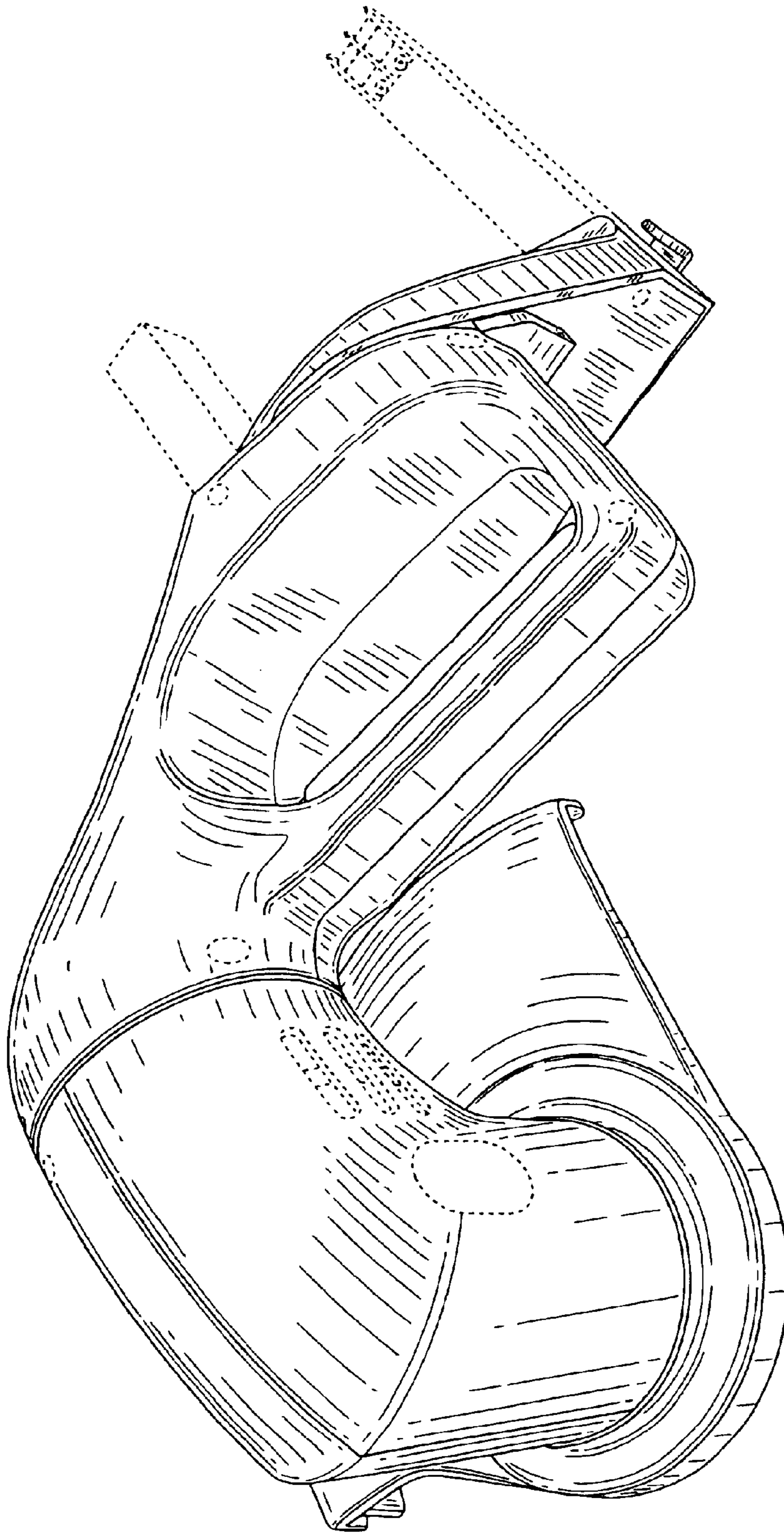


FIG. 1

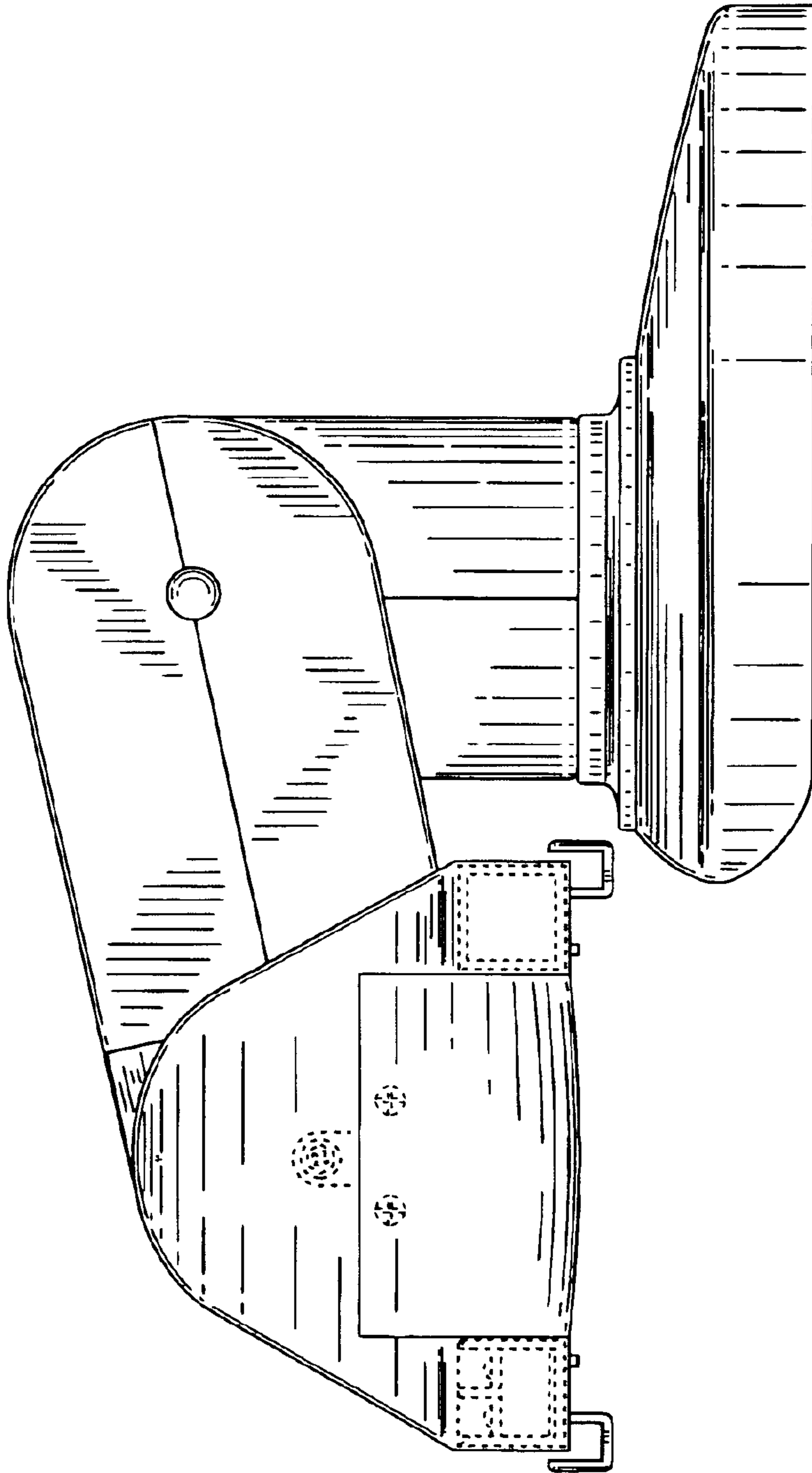


FIG. 2

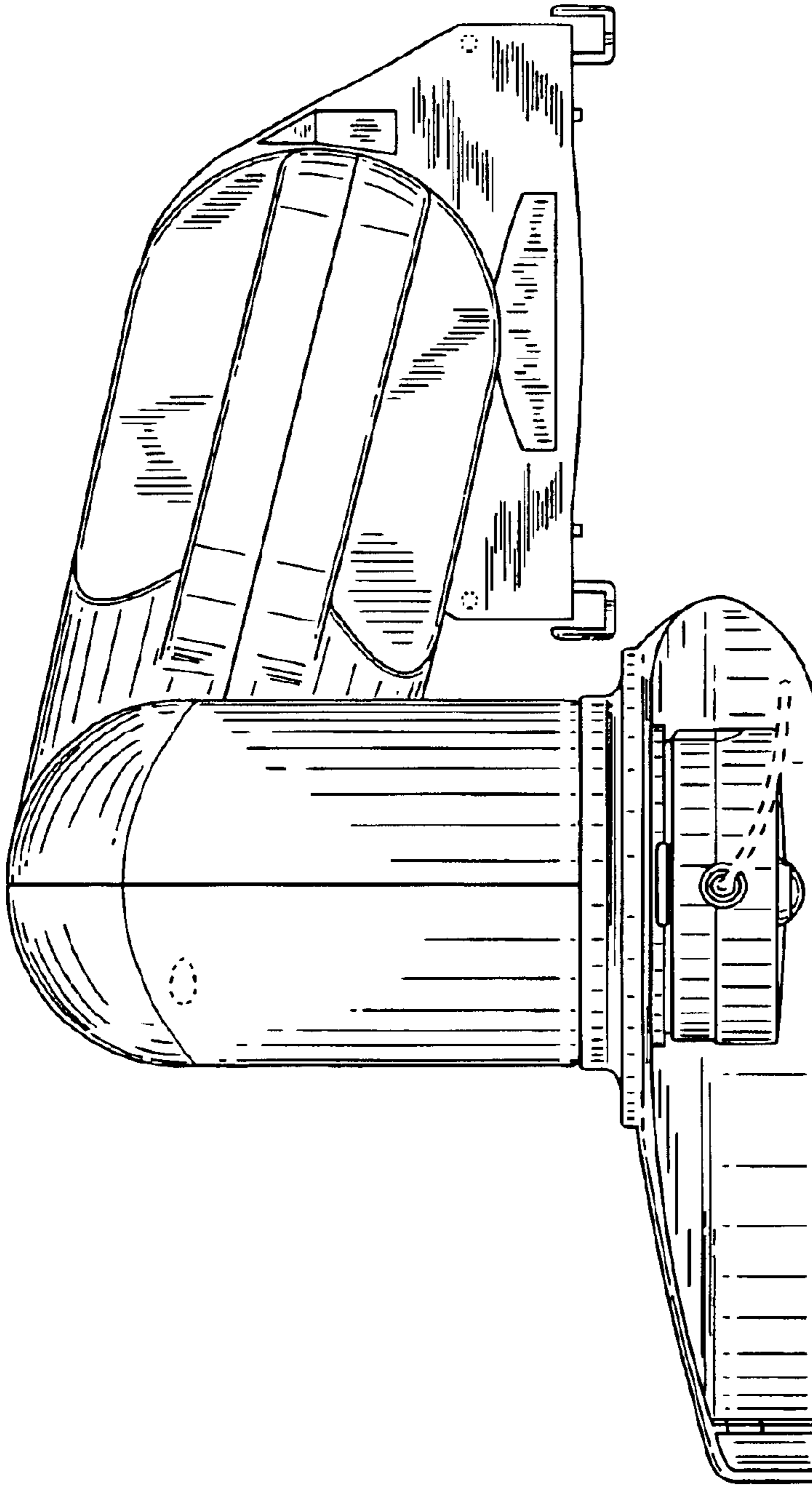


FIG. 3

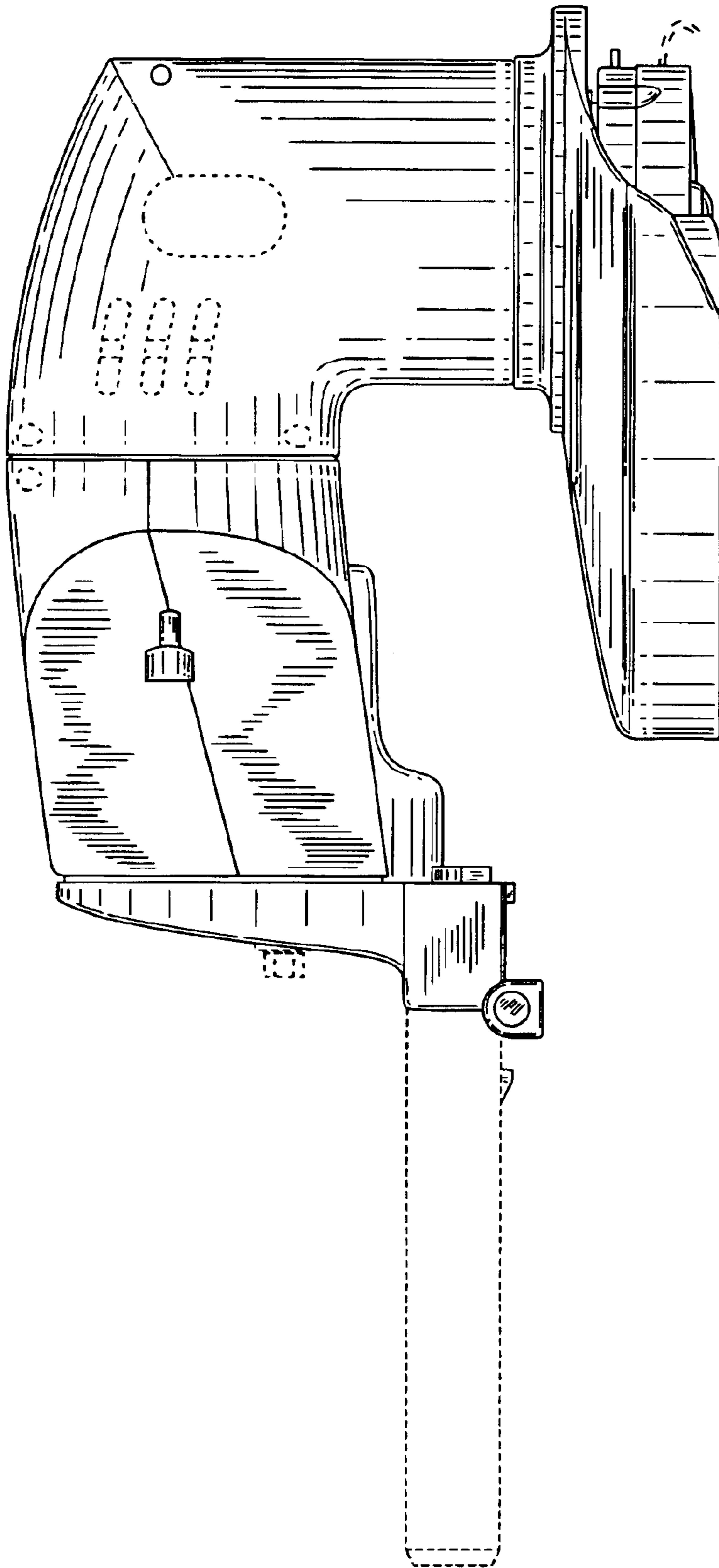


FIG. 4

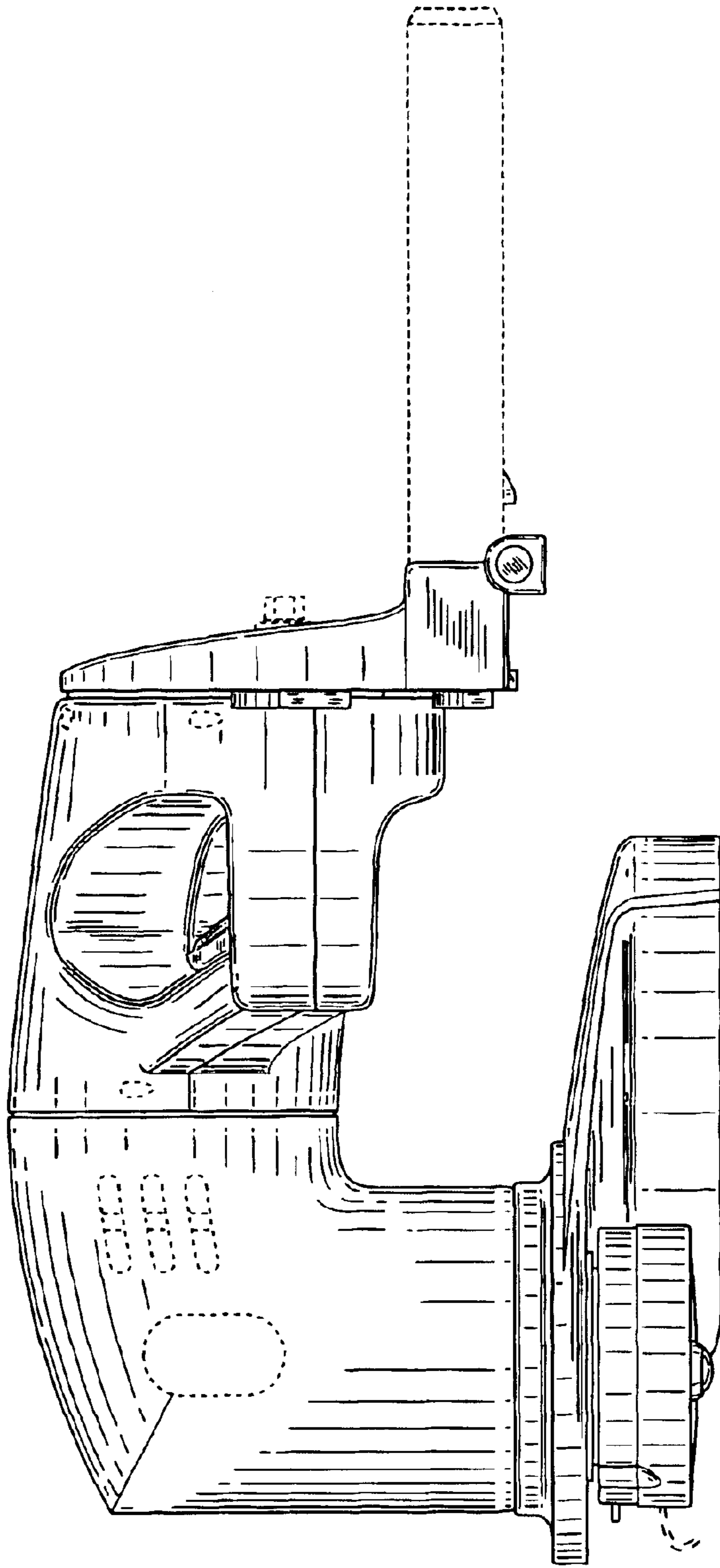


FIG. 5

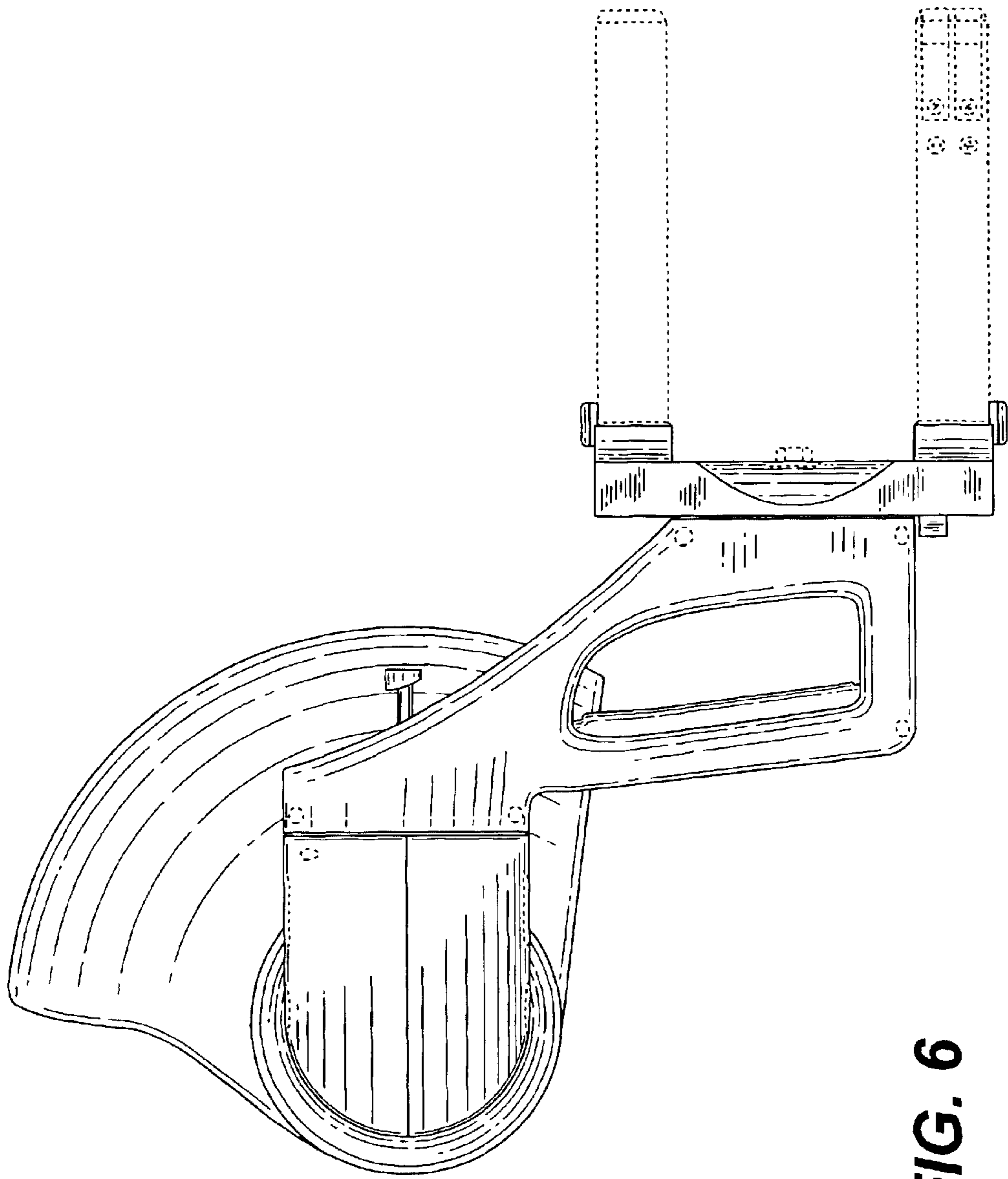


FIG. 6

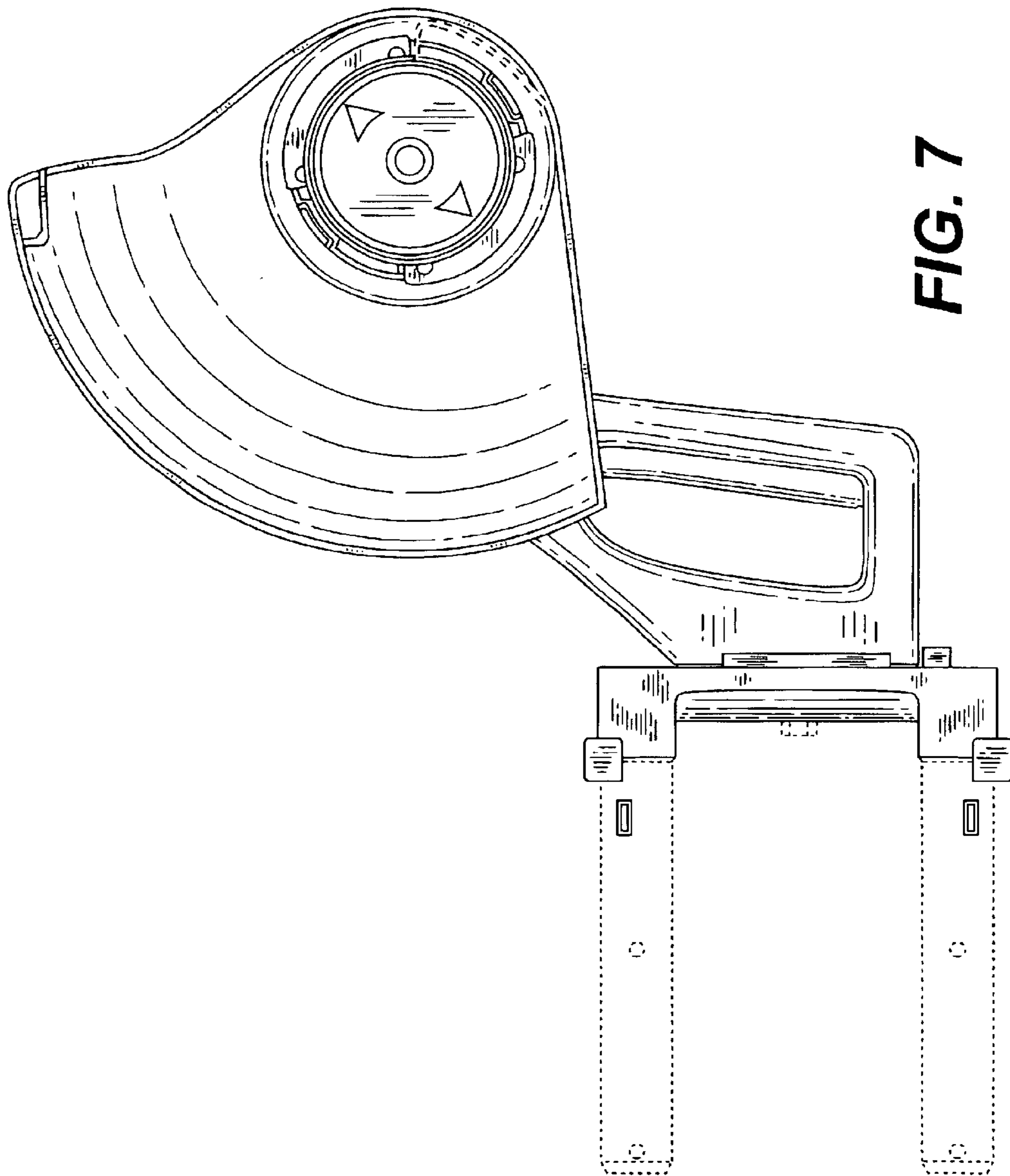


FIG. 7