



US00D489734S

(12) **United States Design Patent**
Lin

(10) **Patent No.:** **US D489,734 S**

(45) **Date of Patent:** **** May 11, 2004**

(54) **LAWN MOWER**

(75) **Inventor:** **Paul Lin, Yung Kang (TW)**

(73) **Assignee:** **Macauto Industrial Co., Ltd. (TW)**

(**) **Term:** **14 Years**

(21) **Appl. No.:** **29/183,215**

(22) **Filed:** **Jun. 10, 2003**

(51) **LOC (7) Cl.** **15-03**

(52) **U.S. Cl.** **D15/14**

(58) **Field of Search** D15/14, 17, 18;
56/12.8, 13.4, 16.7, 17.5, 202, 254, 255,
294, 320.1, 320.2, 11.4

(56) **References Cited**

U.S. PATENT DOCUMENTS

D207,230 S	*	3/1967	Stewart	D15/18
D356,581 S	*	3/1995	Chunn et al.	D15/14
5,488,818 A	*	2/1996	Powers et al.	56/11.4
5,511,367 A	*	4/1996	Powers et al.	56/11.2
D390,576 S	*	2/1998	Shimamura	D15/14
5,910,091 A	*	6/1999	Iida et al.	56/16.7
D419,163 S	*	1/2000	Sirois et al.	D15/14
D424,070 S	*	5/2000	Danthois	D15/14

D449,840 S	*	10/2001	Concari et al.	D15/14
D450,064 S	*	11/2001	Concari et al.	D15/14
D458,613 S	*	6/2002	Scott et al.	D15/14

* cited by examiner

Primary Examiner—Mitchell Siegel

(74) *Attorney, Agent, or Firm*—Mattingly, Stanger & Malur P.C.

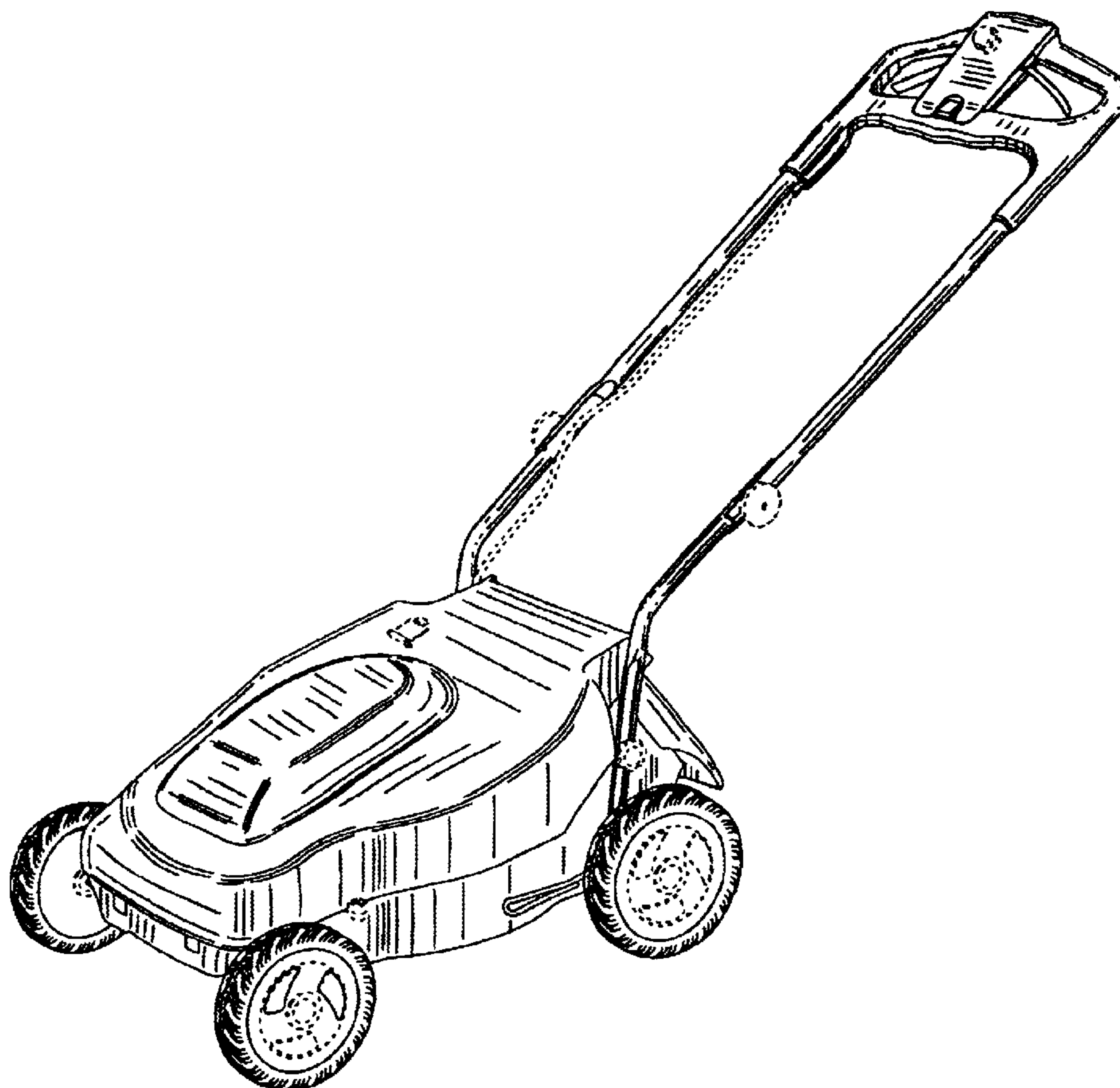
(57) **CLAIM**

The ornamental design for a lawn mower, as shown and described.

DESCRIPTION

FIG. 1 is a front, right side perspective view of a lawn mower showing the design;
FIG. 2 is a right side elevational view thereof;
FIG. 3 is a left side elevational view thereof;
FIG. 4 is a top plan view thereof;
FIG. 5 is a bottom plan view thereof;
FIG. 6 is a front elevational view thereof; and,
FIG. 7 is a rear elevational view thereof.
The broken line showing is for illustrative purposes only and forms no part of the claimed design.

1 Claim, 7 Drawing Sheets



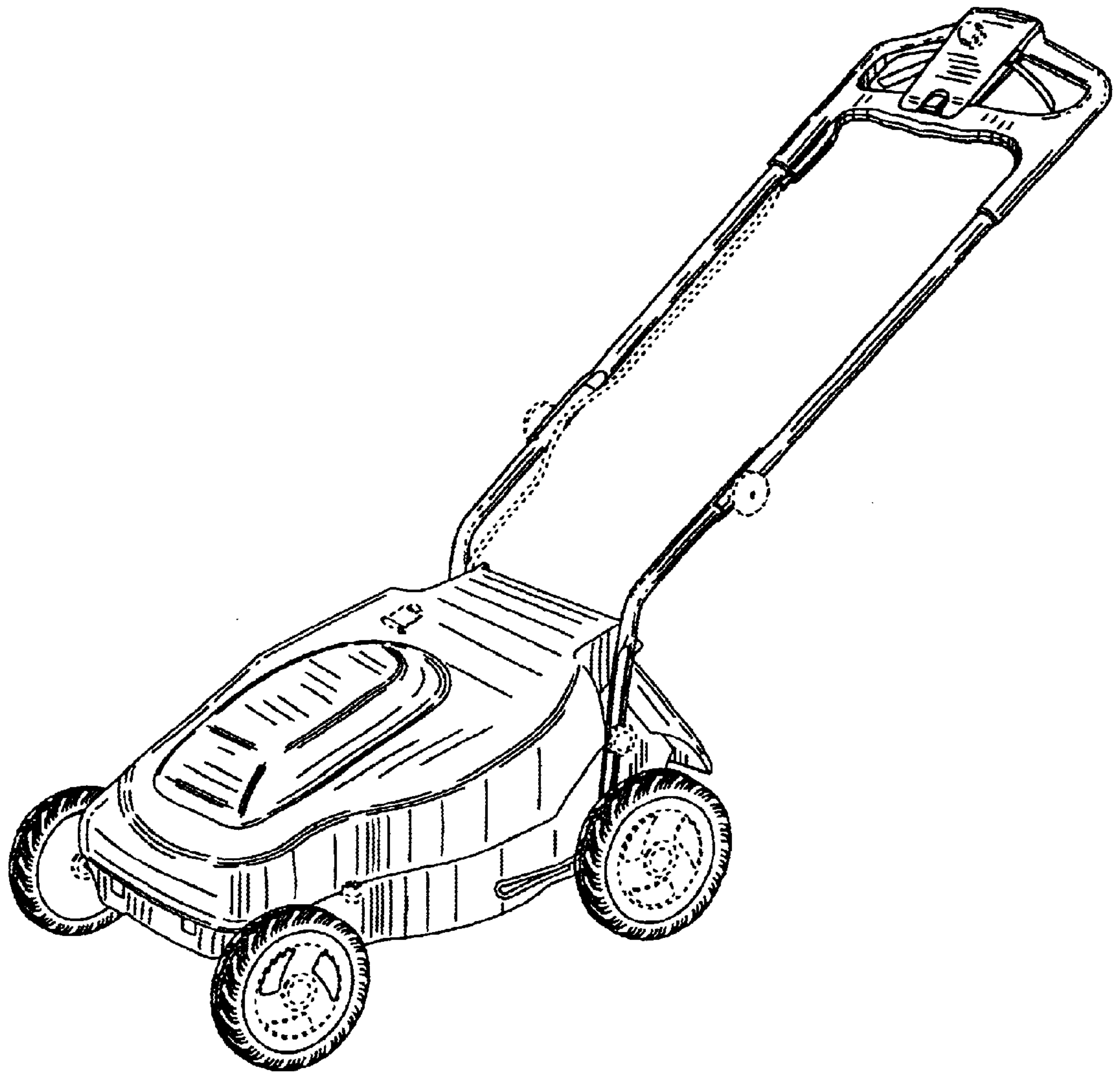


FIG. 1

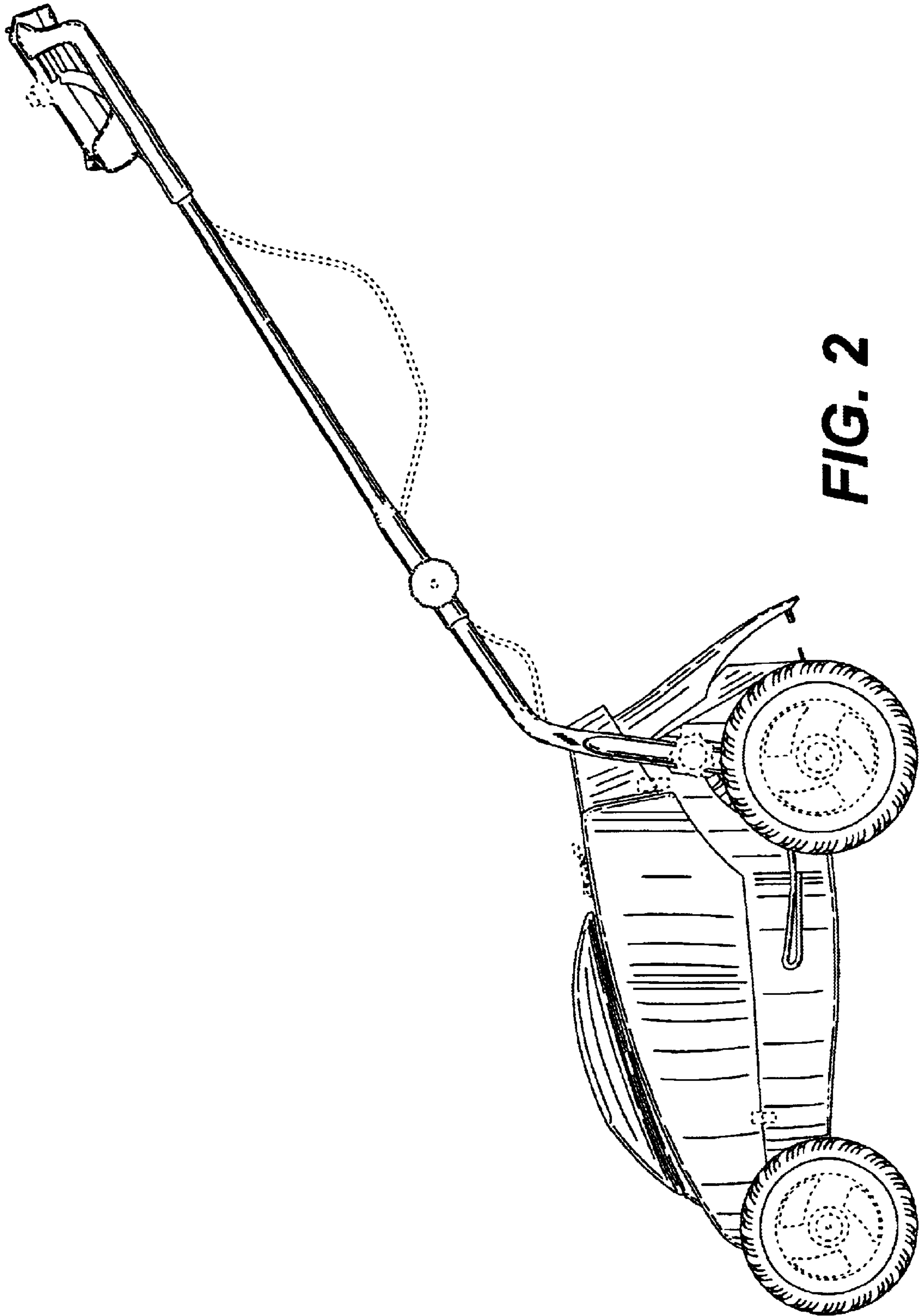


FIG. 2

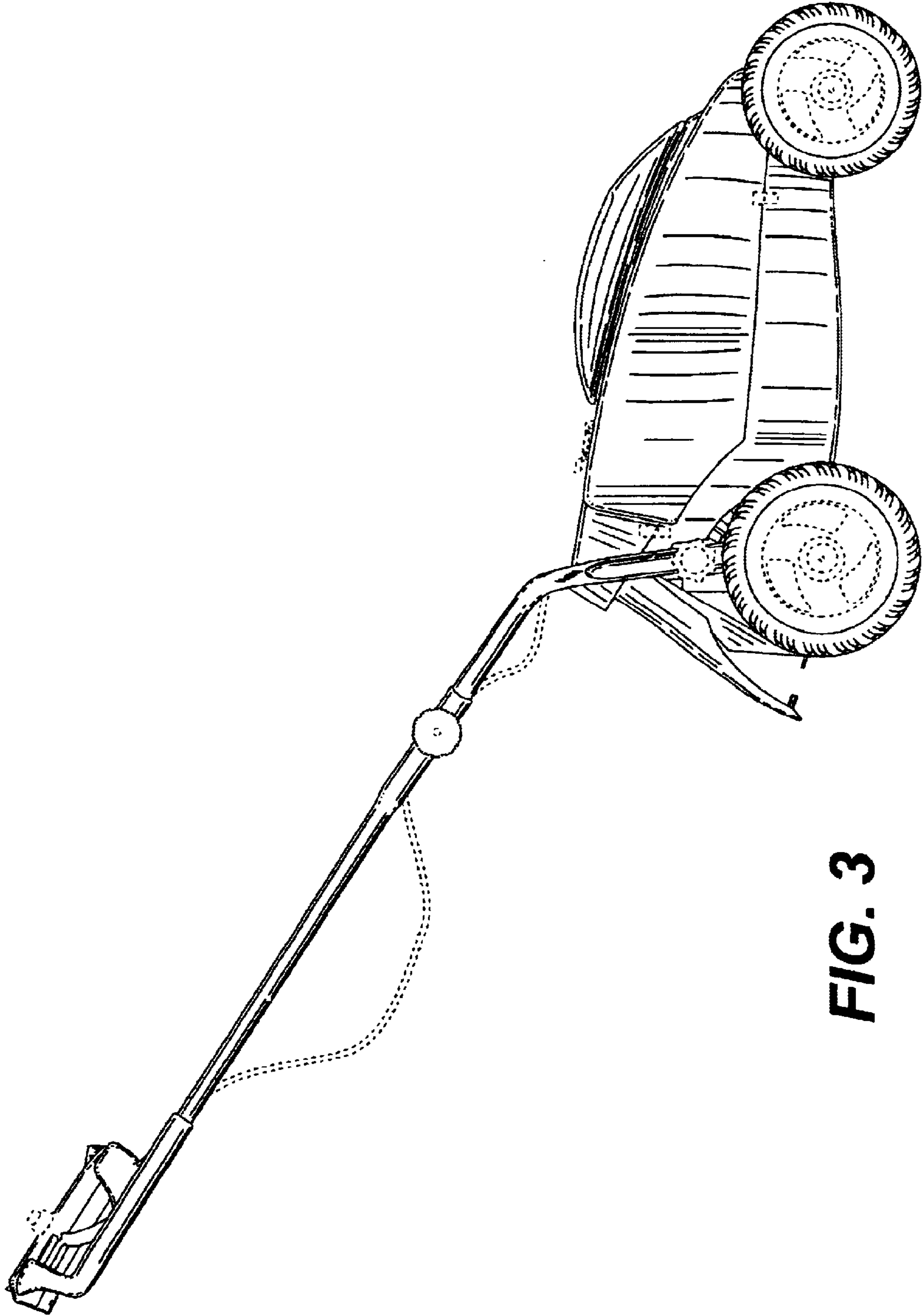


FIG. 3

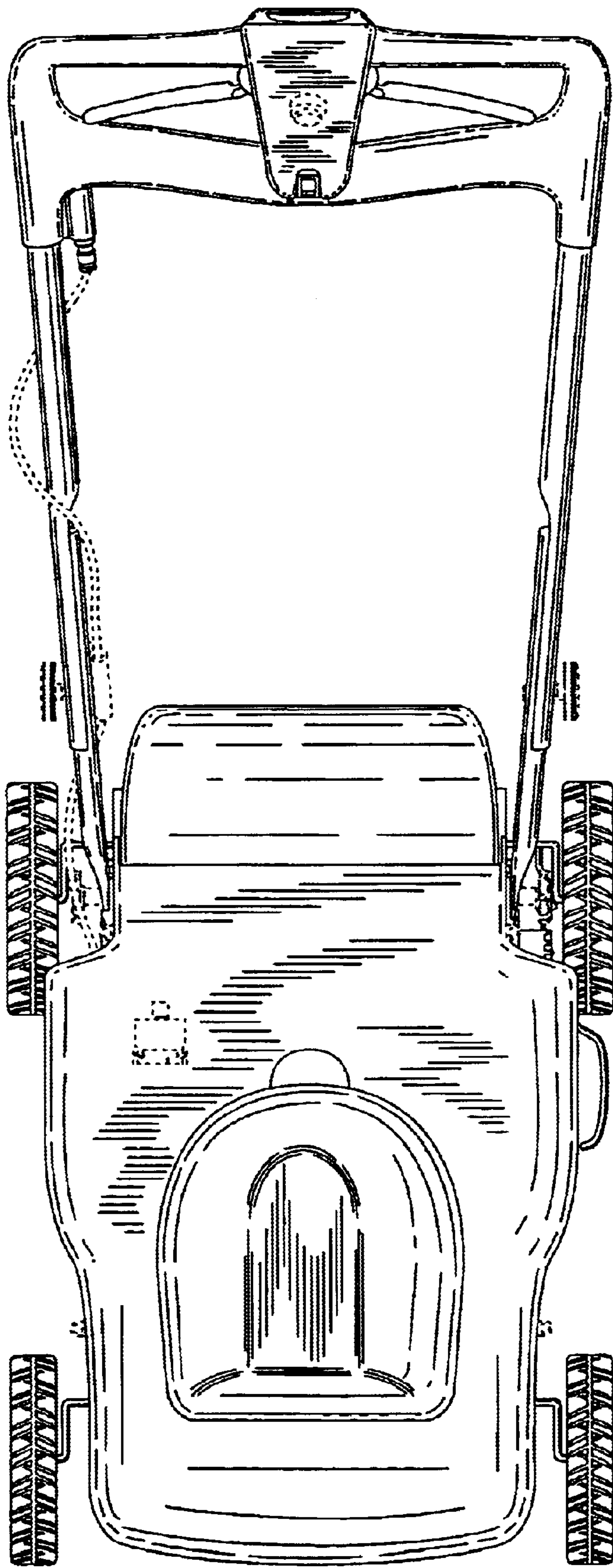


FIG. 4

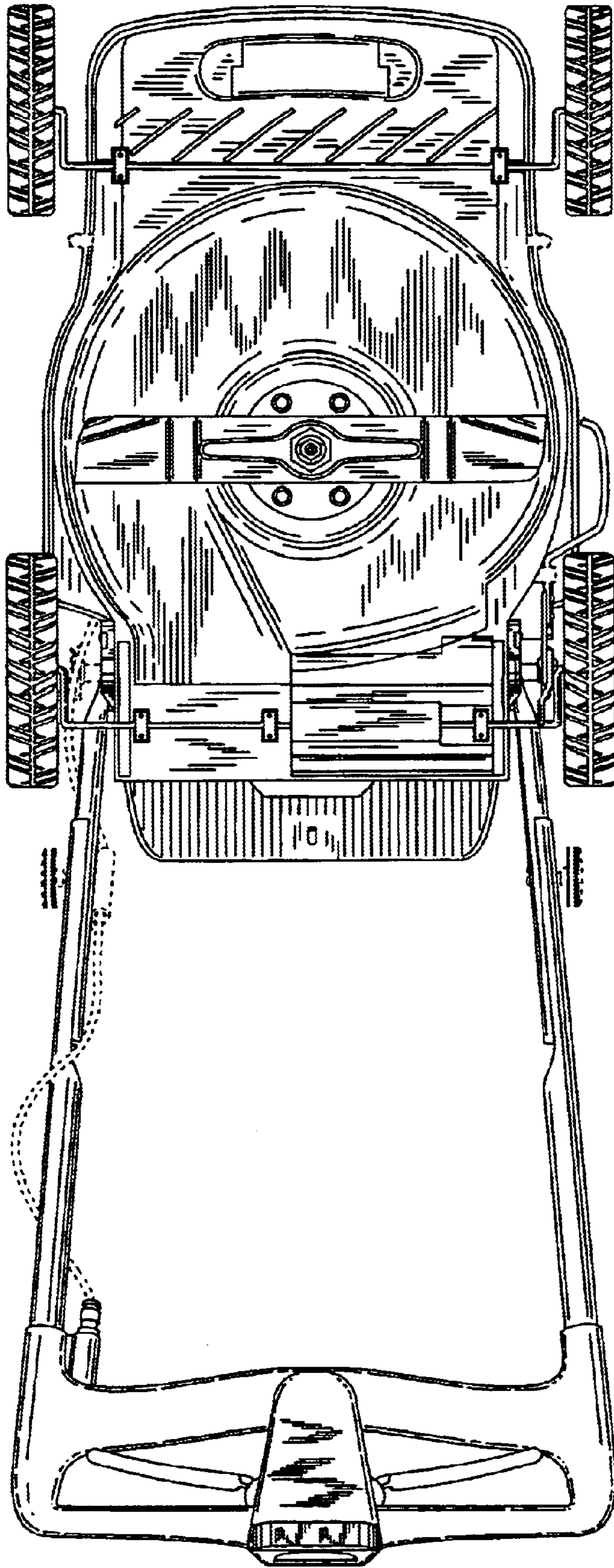


FIG. 5

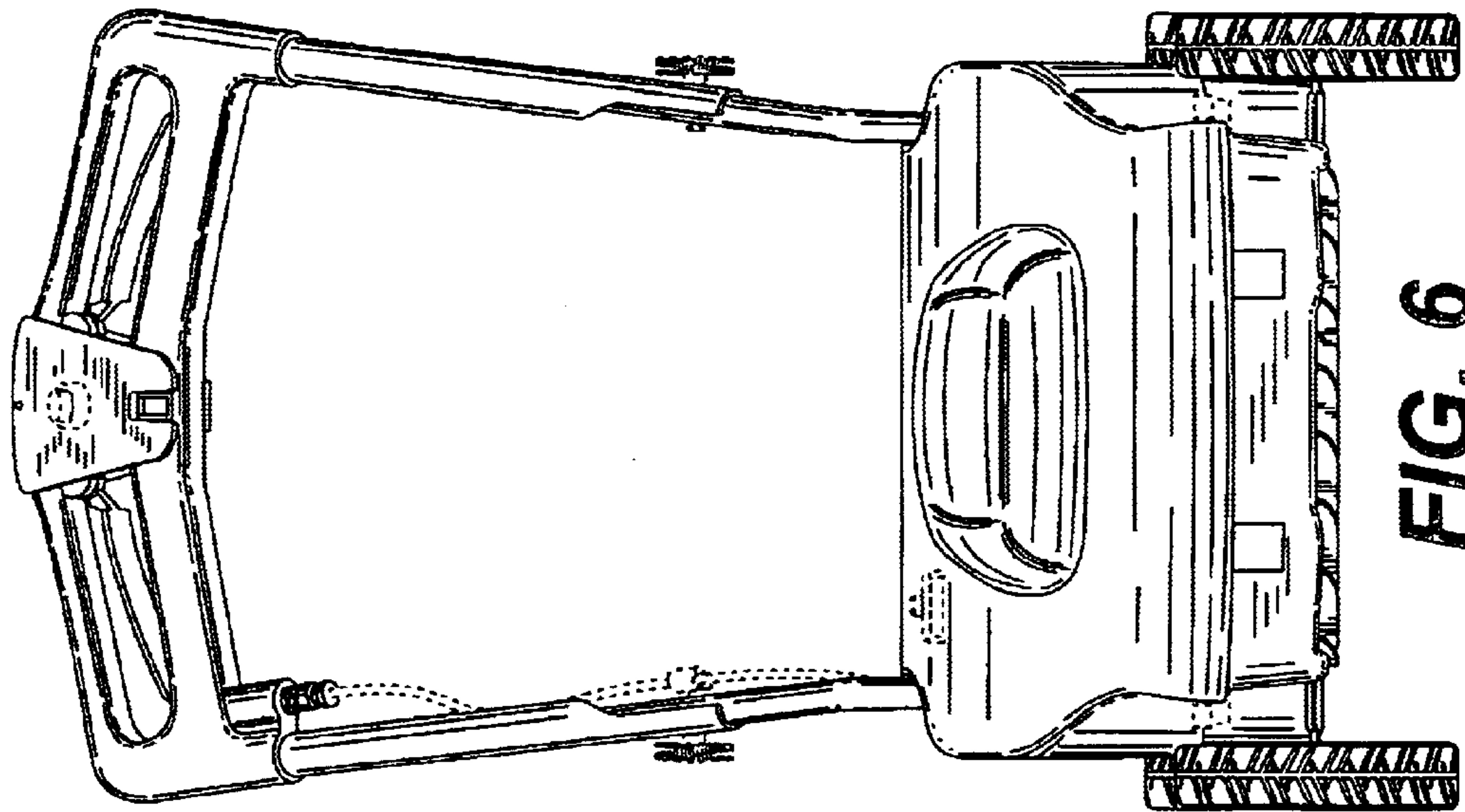


FIG. 6

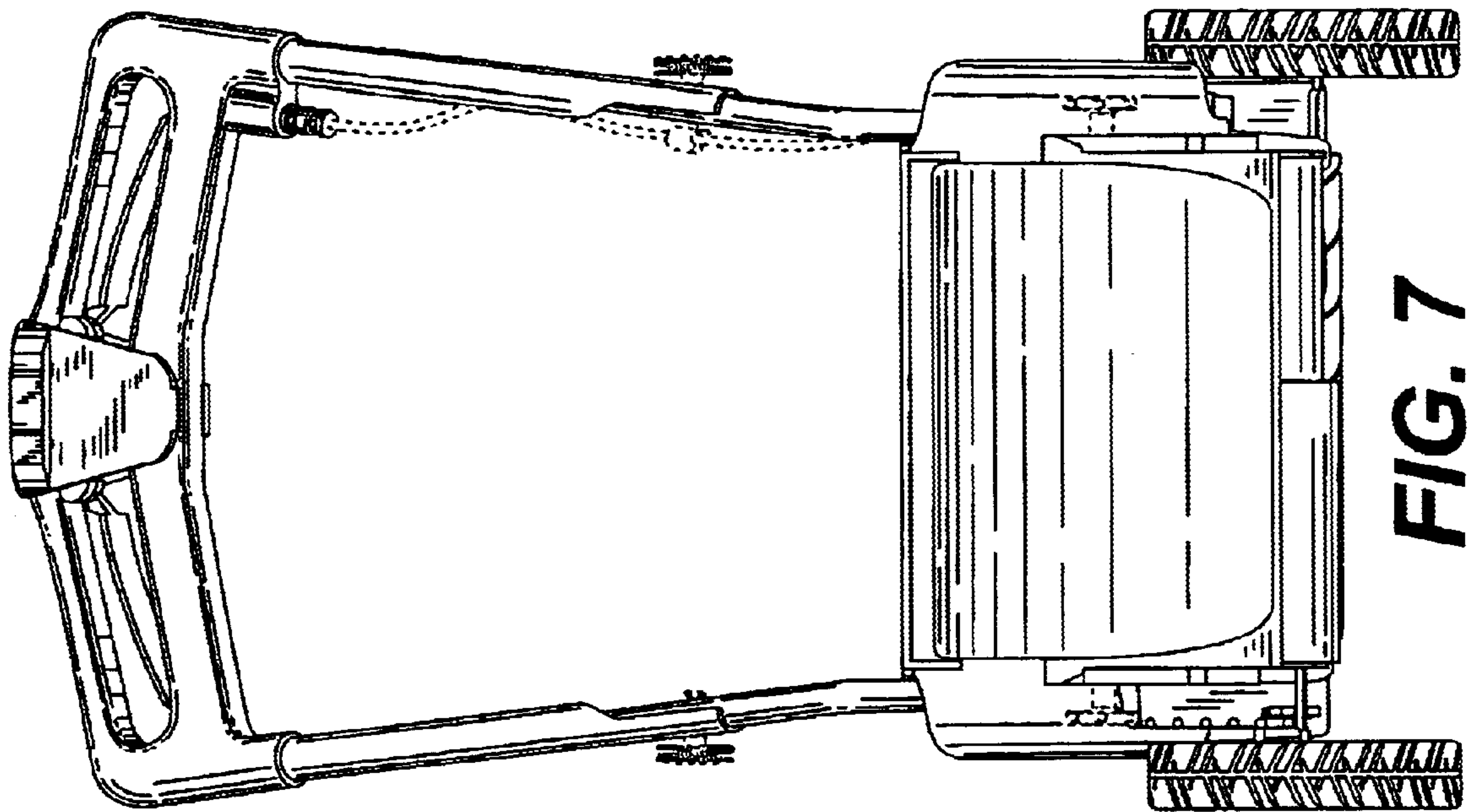


FIG. 7