



US00D489732S

(12) **United States Design Patent**  
**Kishimoto**

(10) **Patent No.:** **US D489,732 S**

(45) **Date of Patent:** **\*\* May 11, 2004**

(54) **PUMP**

(75) Inventor: **Hirokazu Kishimoto**, Obama (JP)

(73) Assignee: **Nidec Corporation**, Kyoto (JP)

(\*\*) Term: **14 Years**

(21) Appl. No.: **29/190,605**

(22) Filed: **Sep. 25, 2003**

(51) **LOC (7) Cl.** ..... **15-02**

(52) **U.S. Cl.** ..... **D15/7**

(58) **Field of Search** ..... D15/7-9; D23/231,  
D23/232; 417/410.4, 359, 415, 410.3, 234,  
229, 321, 265, 405

(56) **References Cited**

**U.S. PATENT DOCUMENTS**

D115,780 S	*	7/1939	Carnes	.....	D23/235
D205,691 S	*	9/1966	Ruliffson	.....	D15/7
D258,508 S	*	3/1981	Serrambana	.....	D15/7
D294,582 S	*	3/1988	Showman	.....	D15/7
D384,677 S	*	10/1997	Wunner et al.	.....	D15/7
D394,067 S	*	5/1998	Kon	.....	D15/7
D429,735 S	*	8/2000	Versaw et al.	.....	D15/7
D446,220 S	*	8/2001	Boughton et al.	.....	D15/7
D455,441 S	*	4/2002	Chou	.....	D15/7

\* cited by examiner

*Primary Examiner*—Ralf Seifert

(74) *Attorney, Agent, or Firm*—Shinju Global IP

(57) **CLAIM**

The ornamental design for a pump, as shown and described.

**DESCRIPTION**

FIG. 1 is a perspective view of a pump in accordance with my new design;

FIG. 2 is a top plan view of the pump illustrated in FIG. 1;

FIG. 3 is a bottom plan view of the pump illustrated in FIGS. 1-2;

FIG. 4 is a left side elevational view of the pump illustrated in FIGS. 1-3;

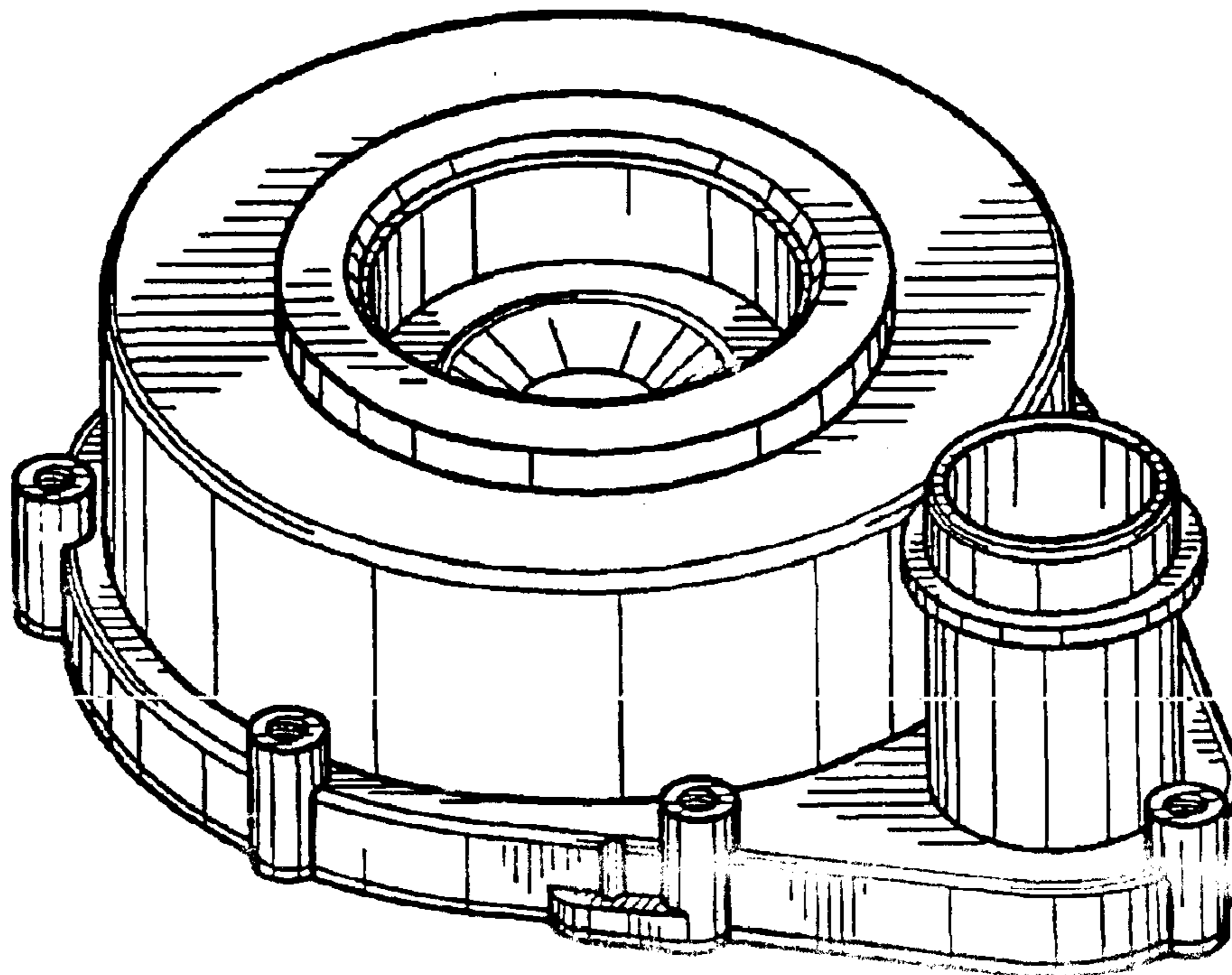
FIG. 5 is a right side elevational view of the pump illustrated in FIGS. 1-4;

FIG. 6 is a front elevational view of the pump illustrated in FIGS. 1-5; and,

FIG. 7 is a rear elevational view of the pump illustrated in FIGS. 1-6.

The broken lines shown in FIGS. 4, 5 and 7 are for illustrative purposes only and form no part of the claimed design.

**1 Claim, 3 Drawing Sheets**



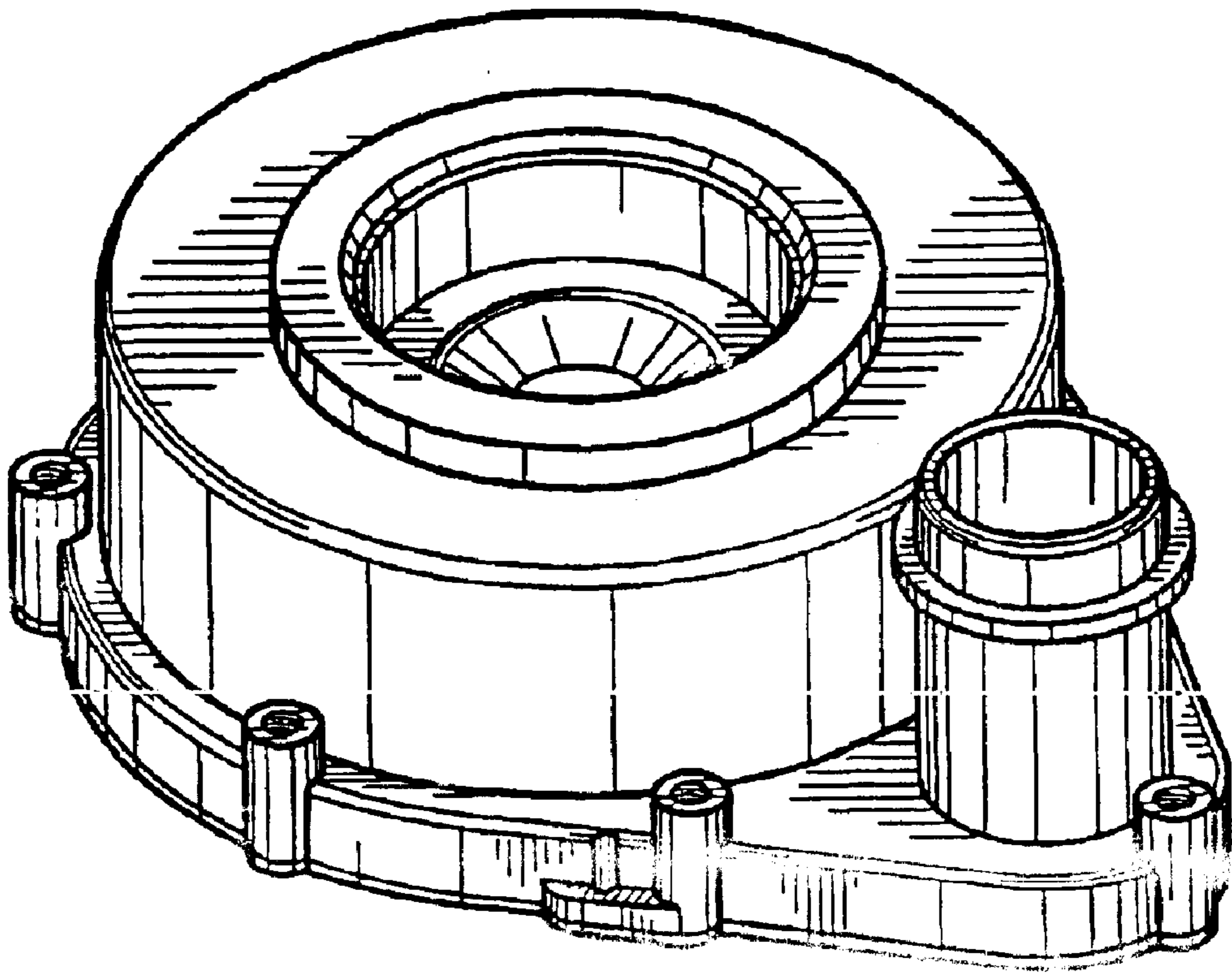


Fig. 1

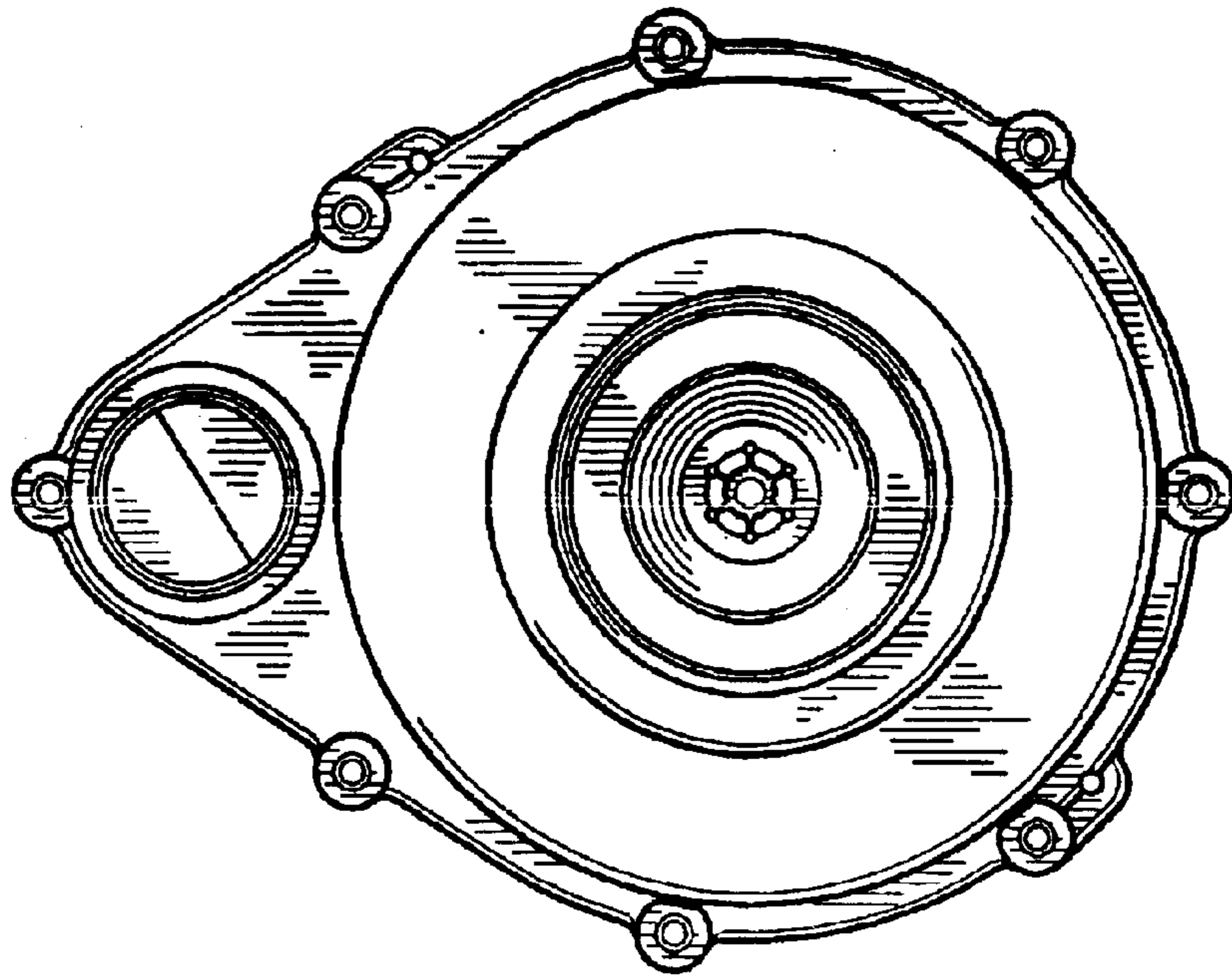


Fig. 2

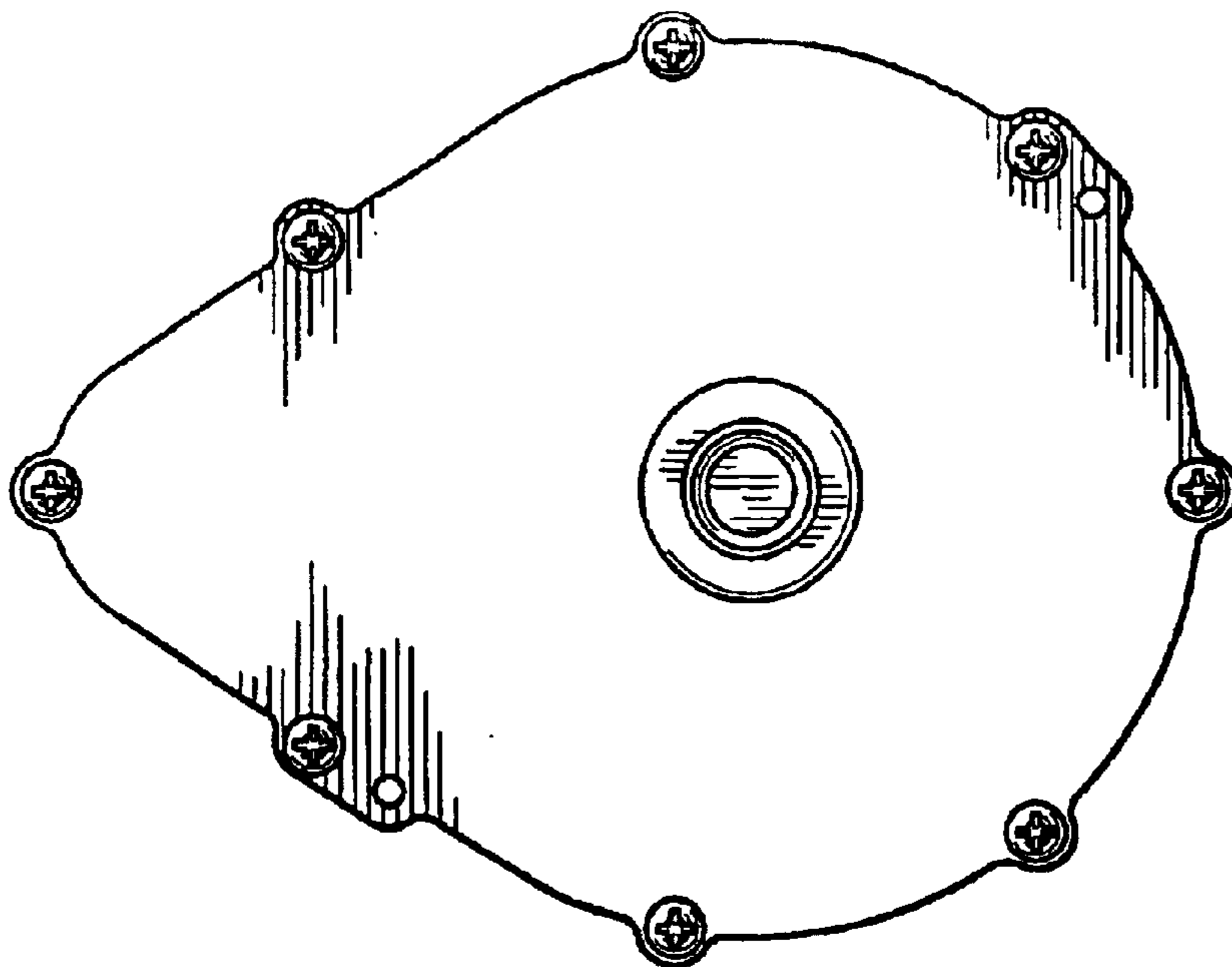


Fig. 3

Fig. 4

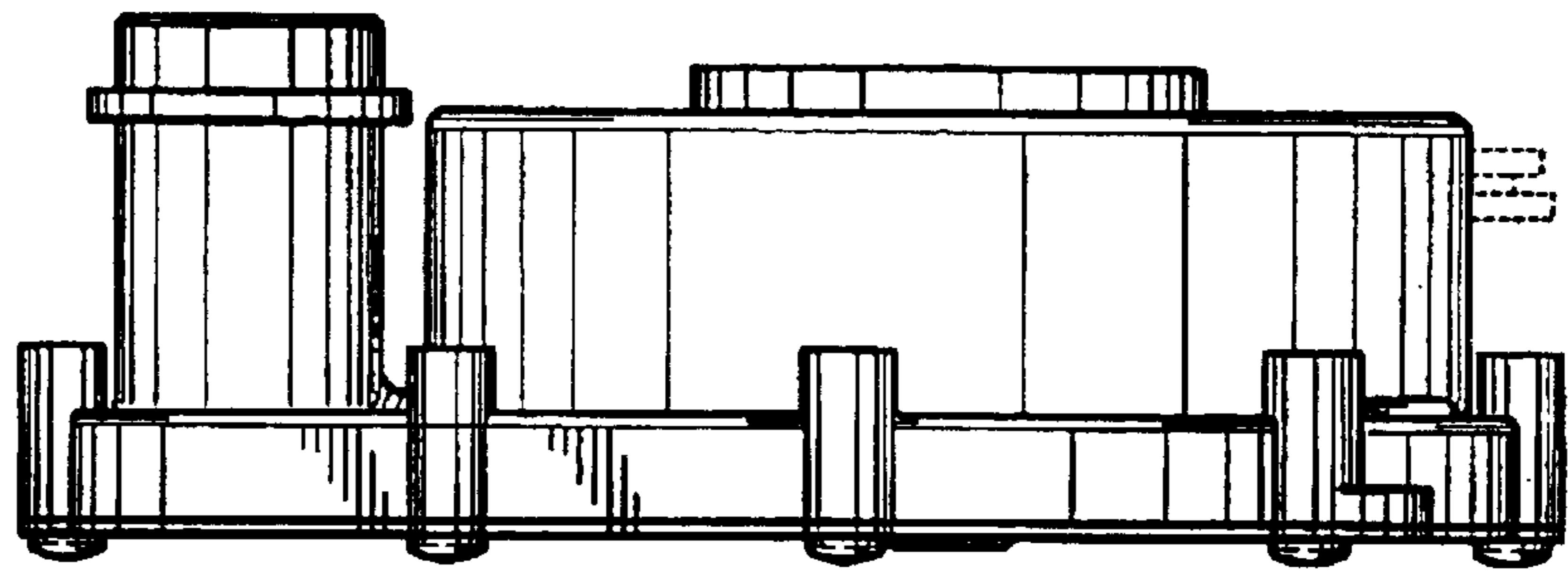


Fig. 5

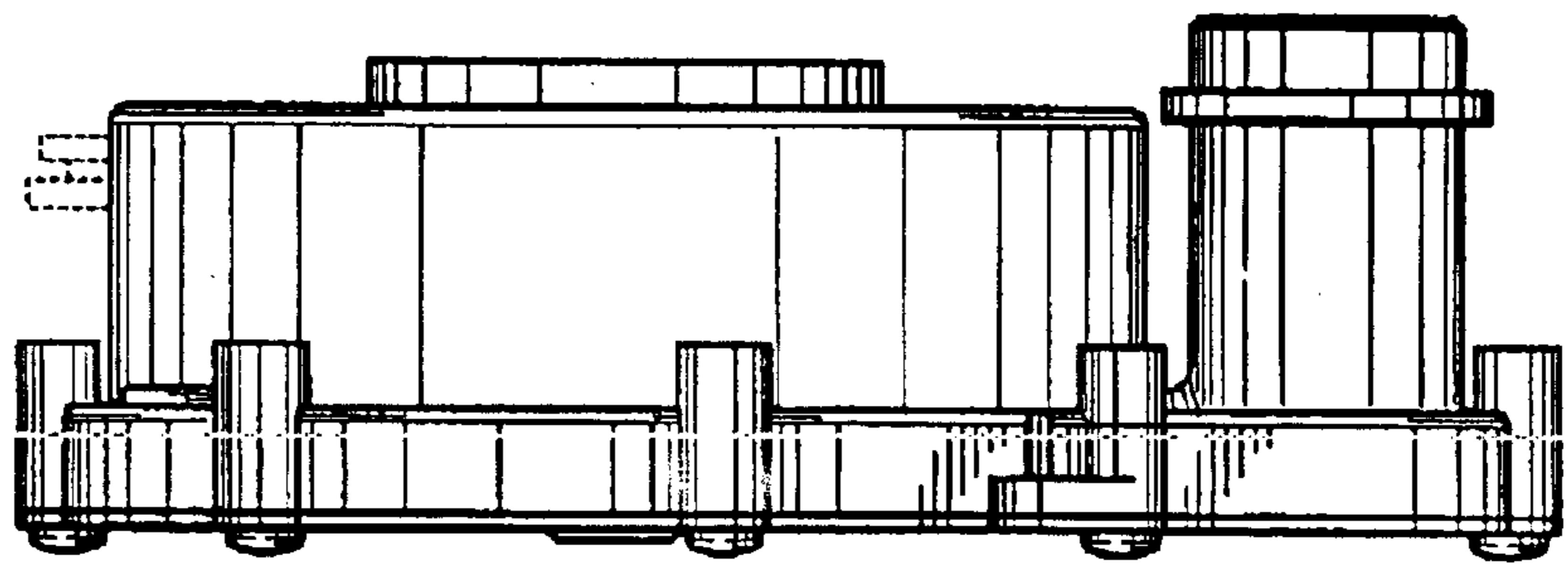


Fig. 6

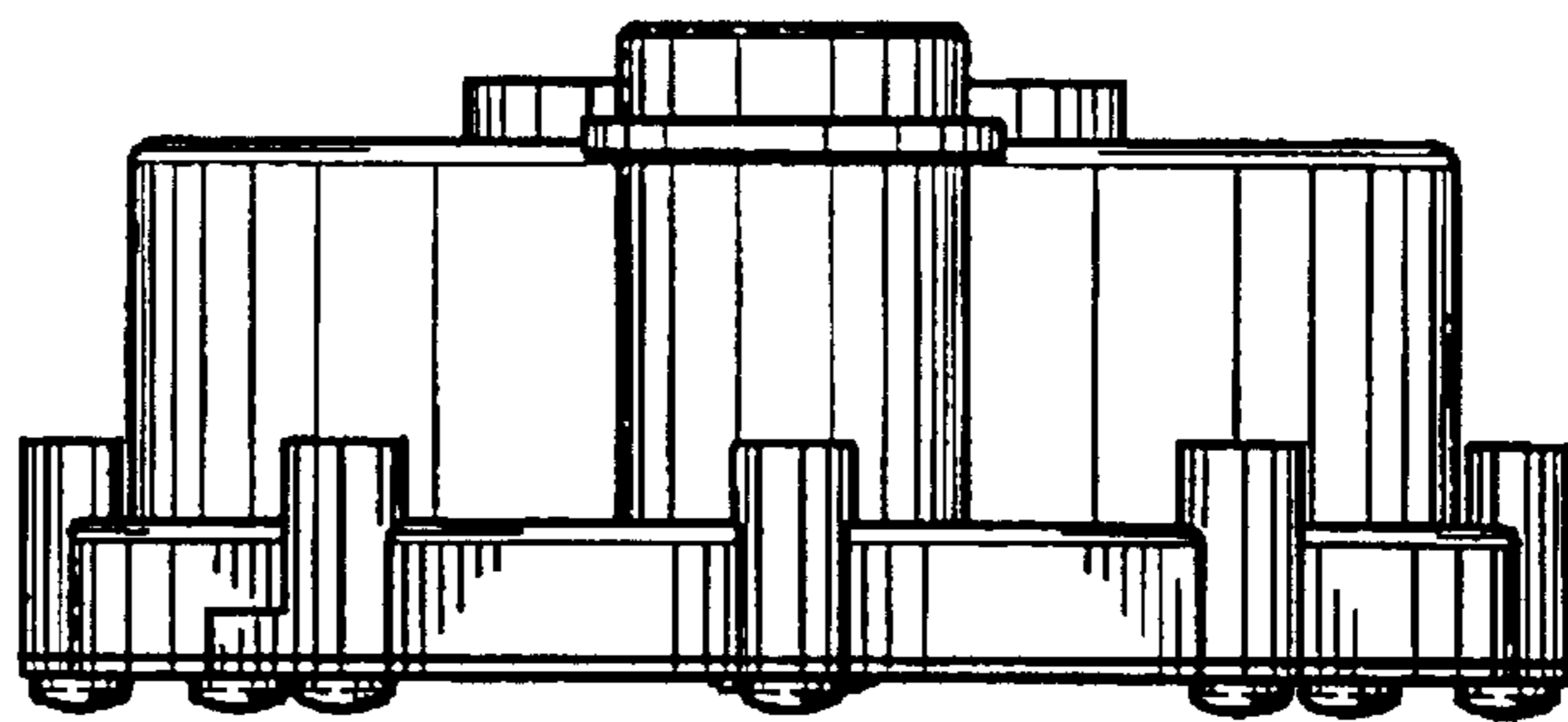
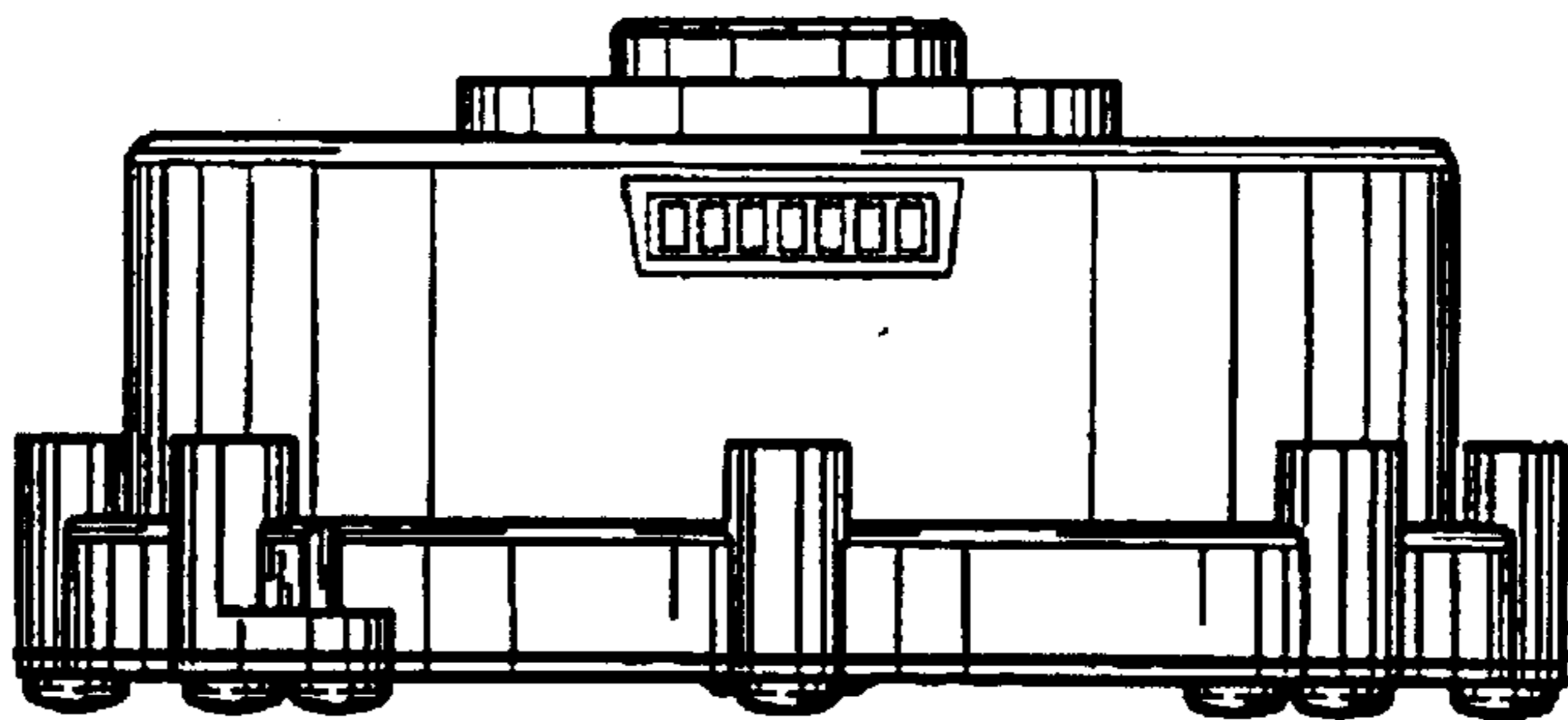


Fig. 7



UNITED STATES PATENT AND TRADEMARK OFFICE  
**CERTIFICATE OF CORRECTION**

PATENT NO. : Des. 489,732 S  
DATED : May 11, 2004  
INVENTOR(S) : Hirokazu Kishimoto

Page 1 of 1

It is certified that error appears in the above-identified patent and that said Letters Patent is hereby corrected as shown below:

Title page,

Item [73], Assignee, should read -- **Nidec Shibaura Corporation, Kyoto (JP)** --.

Signed and Sealed this

Fourth Day of January, 2005

A handwritten signature in black ink on a light gray dotted background. The signature reads "Jon W. Dudas" in a cursive style.

JON W. DUDAS

*Director of the United States Patent and Trademark Office*