



US00D489726S

(12) **United States Design Patent**
Takita et al.

(10) **Patent No.:** **US D489,726 S**

(45) **Date of Patent:** **** May 11, 2004**

(54) **AUDIO INTERFACE FOR COMPUTER**

(75) Inventors: **Haruki Takita**, Tokyo (JP); **Yasunobu Shimizu**, Tokyo (JP)

(73) Assignee: **TEAC Corporation**, Tokyo (JP)

(**) Term: **14 Years**

(21) Appl. No.: **29/185,806**

(22) Filed: **Jul. 7, 2003**

(30) **Foreign Application Priority Data**

Jan. 14, 2003 (JP) 2003-000521

(51) **LOC (7) Cl.** **14-02**

(52) **U.S. Cl.** **D14/433; D14/435**

(58) **Field of Search** D14/432-438,
D14/135, 136; D13/146, 147, 133; 340/825.25,
328, 384.1, 396.1; 364/708.1, 710.12; 361/686;
439/131, 299-300; 74/52.1; 379/339.01;
345/501; 380/200

(56) **References Cited**

U.S. PATENT DOCUMENTS

D381,640 S * 7/1997 Drennan et al. D14/407

D398,913 S * 9/1998 Tseng D14/435
2002/0186842 A1 * 12/2002 Sabet-Sharghi et al. 380/200
2003/0032486 A1 * 2/2003 Elliott 463/43
2003/0059035 A1 * 3/2003 Nebiker et al. 379/399.01
2003/0080963 A1 * 5/2003 Van Hook et al. 345/501

* cited by examiner

Primary Examiner—Kay H. Chin

(74) *Attorney, Agent, or Firm*—Kanesaka & Takeuchi

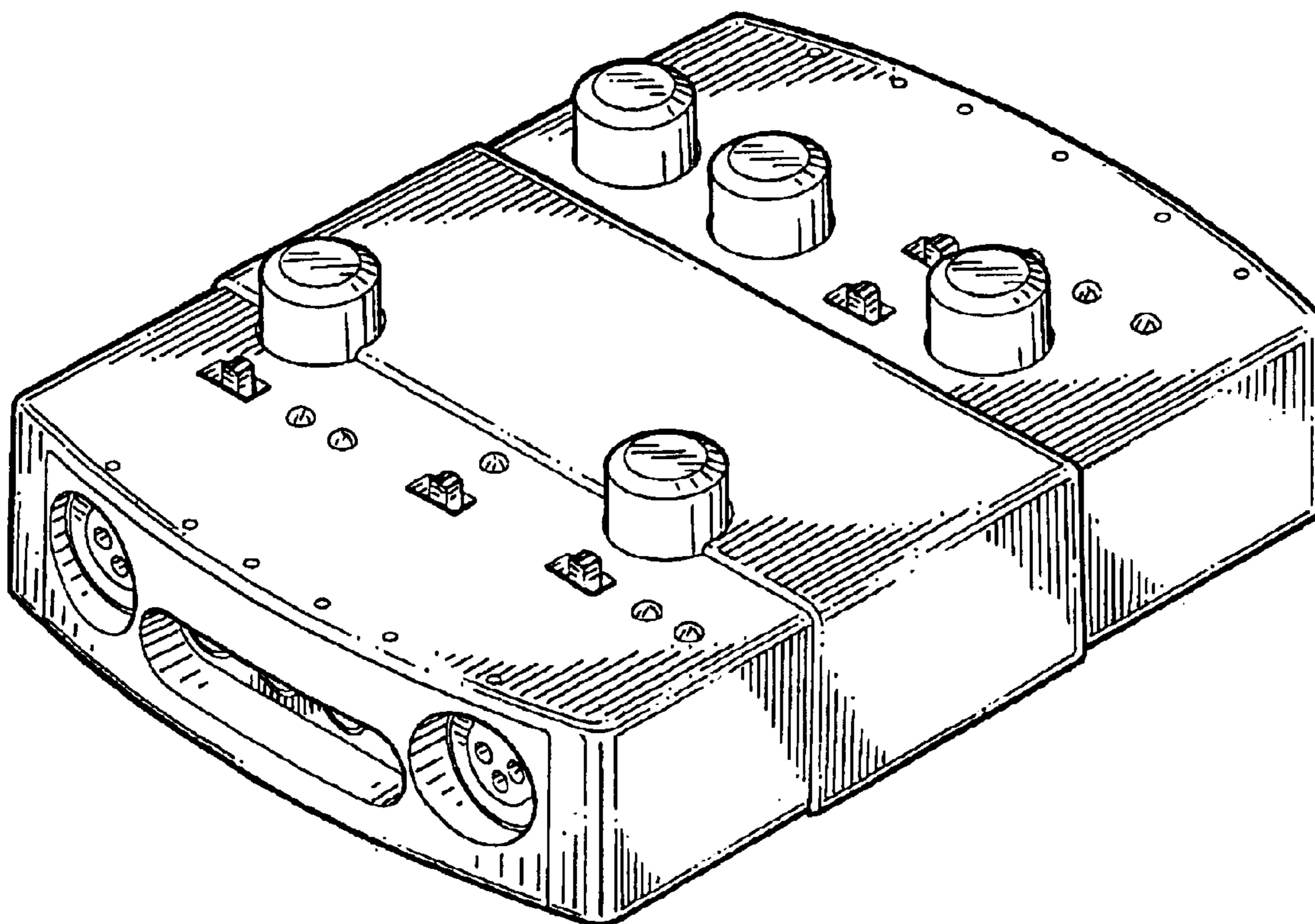
(57) **CLAIM**

The ornamental design for an audio interface for computer, as shown and described.

DESCRIPTION

FIG. 1 is a perspective view of an audio interface for a computer showing our new design; FIG. 2 is a front view thereof; FIG. 3 is a plan view thereof; FIG. 4 is a bottom view thereof; FIG. 5 is a left side view thereof; FIG. 6 is a right side view thereof; and, FIG. 7 is a rear view thereof.

1 Claim, 4 Drawing Sheets



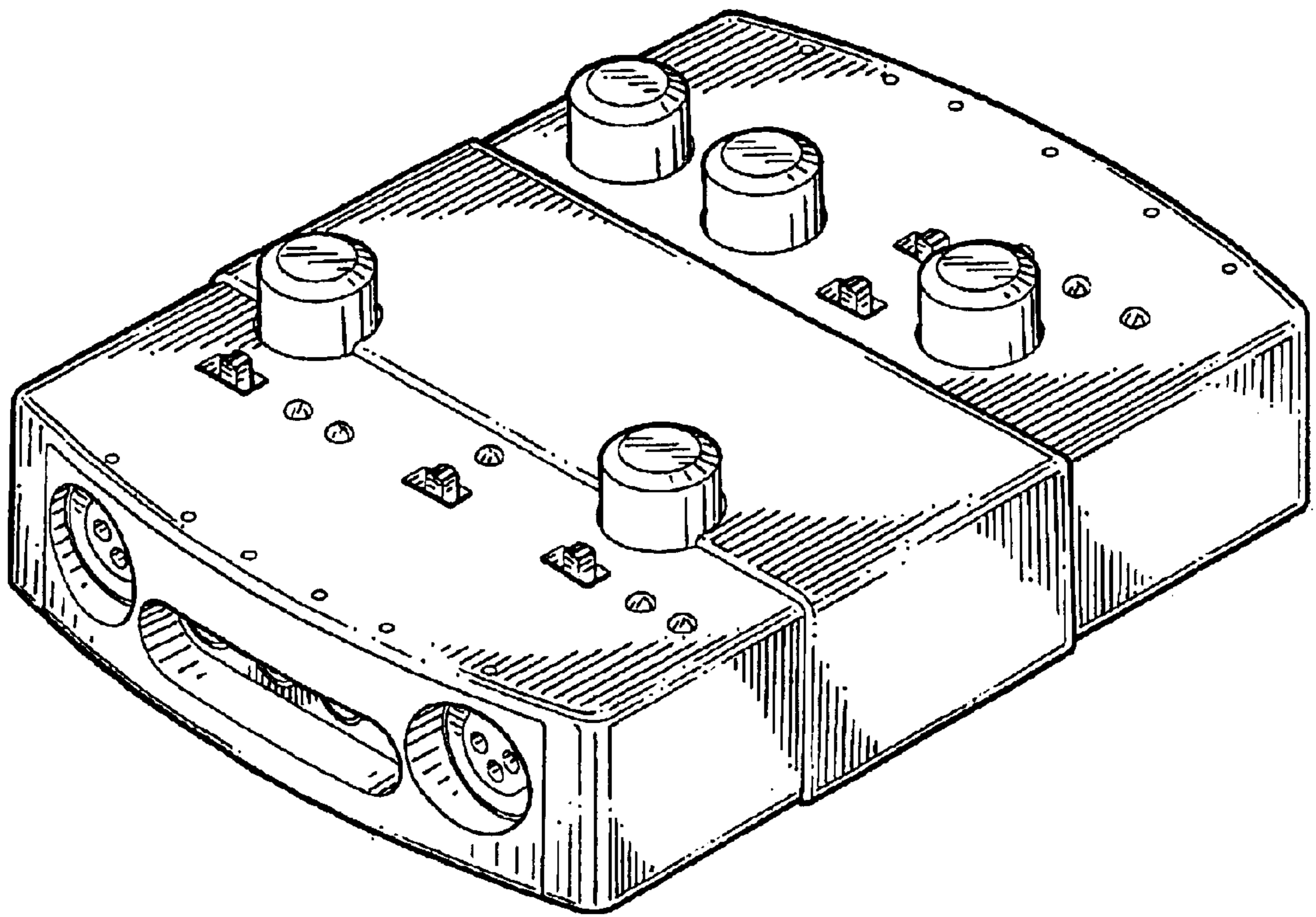


FIG. 1

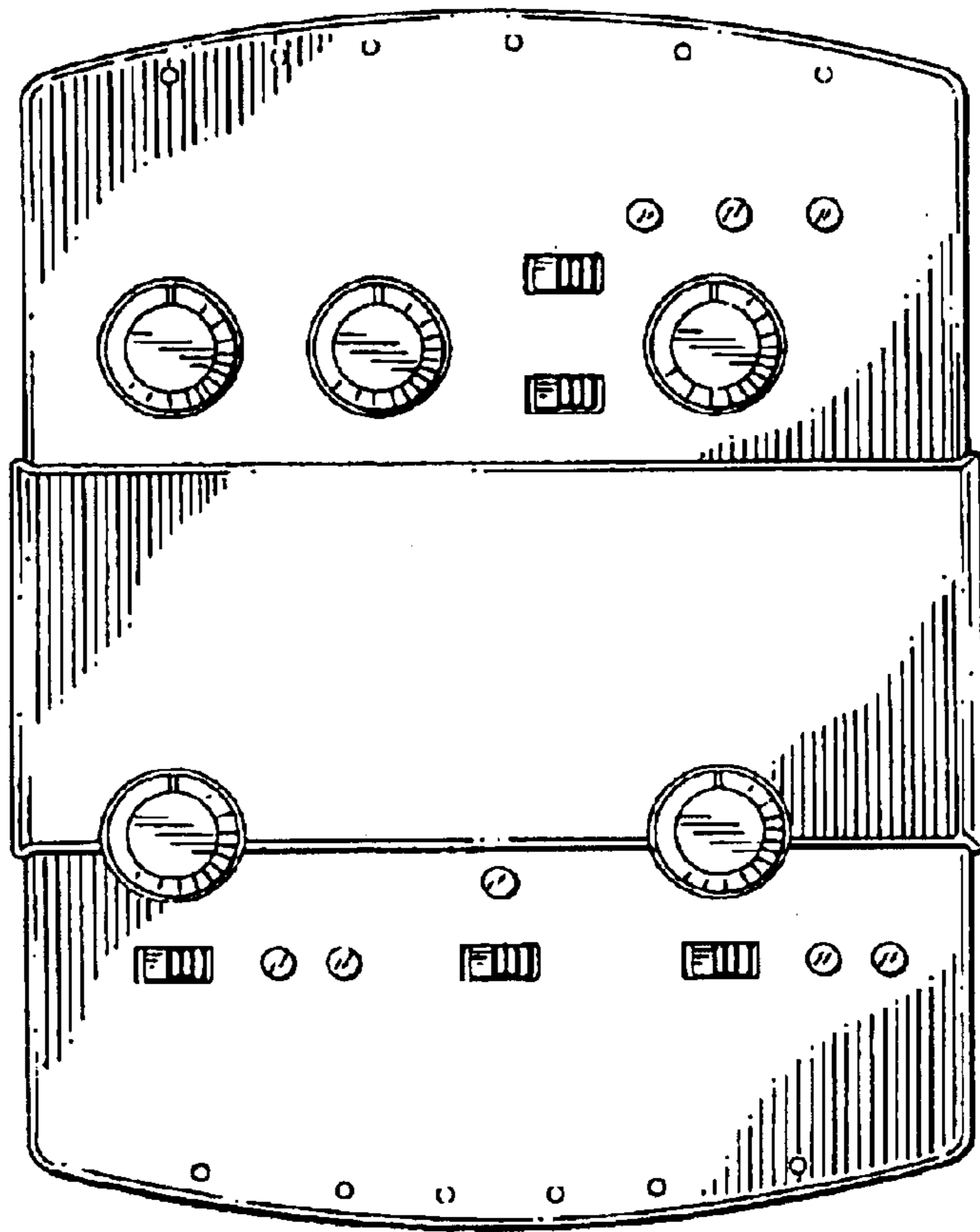


FIG. 2

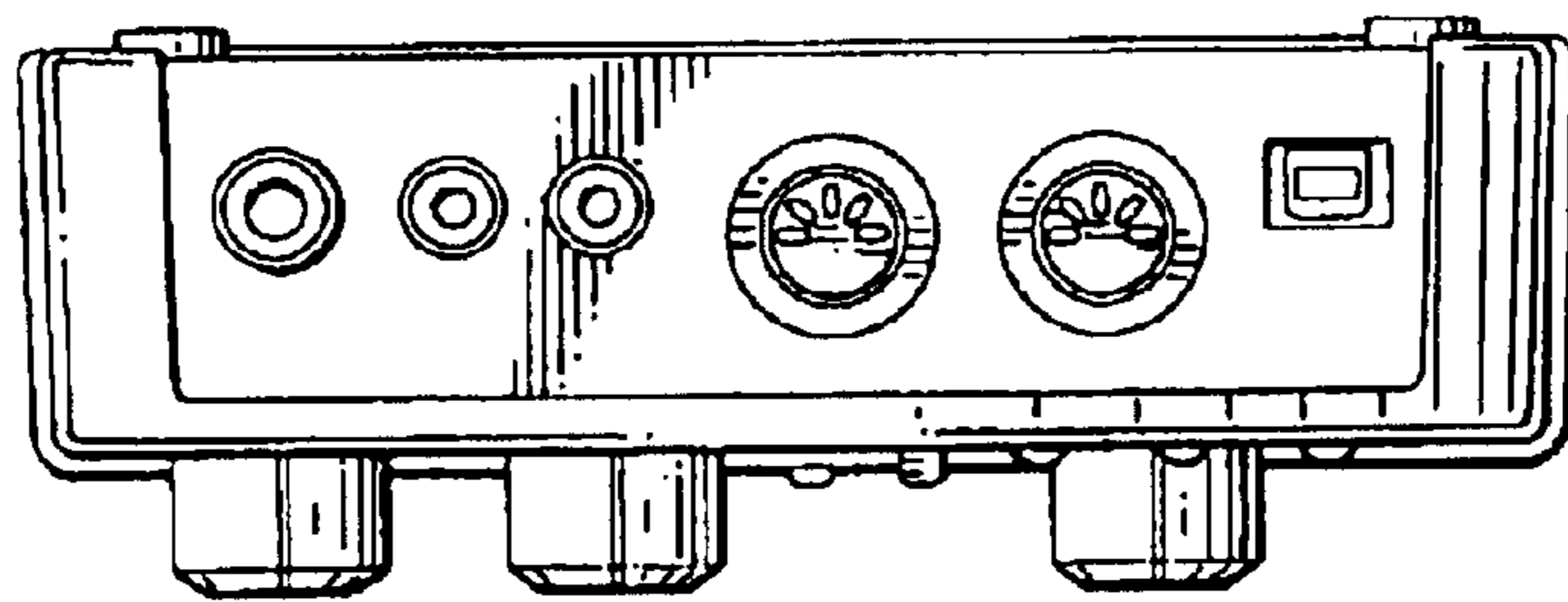


FIG. 3

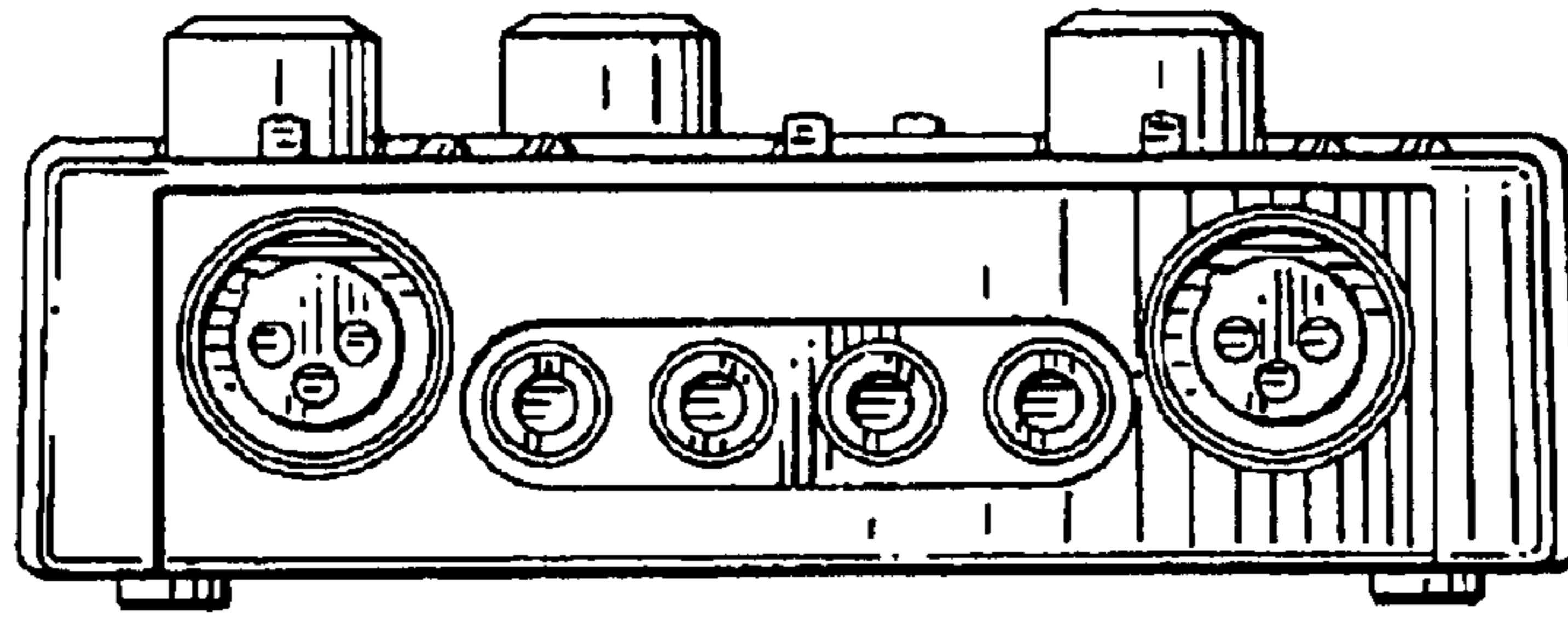


FIG. 4

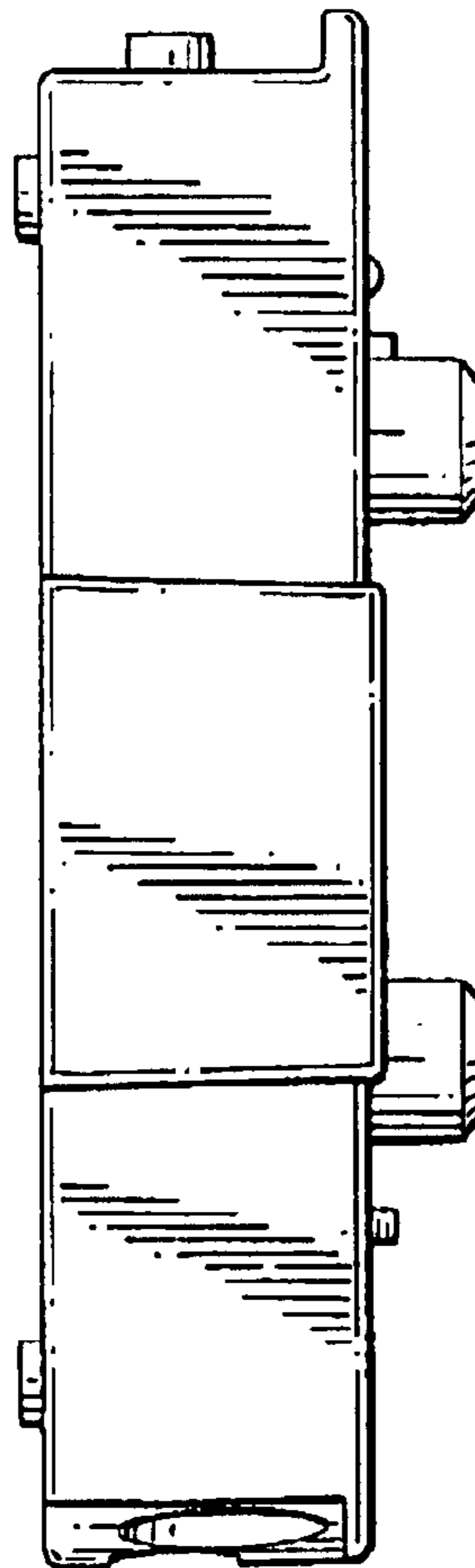


FIG. 5

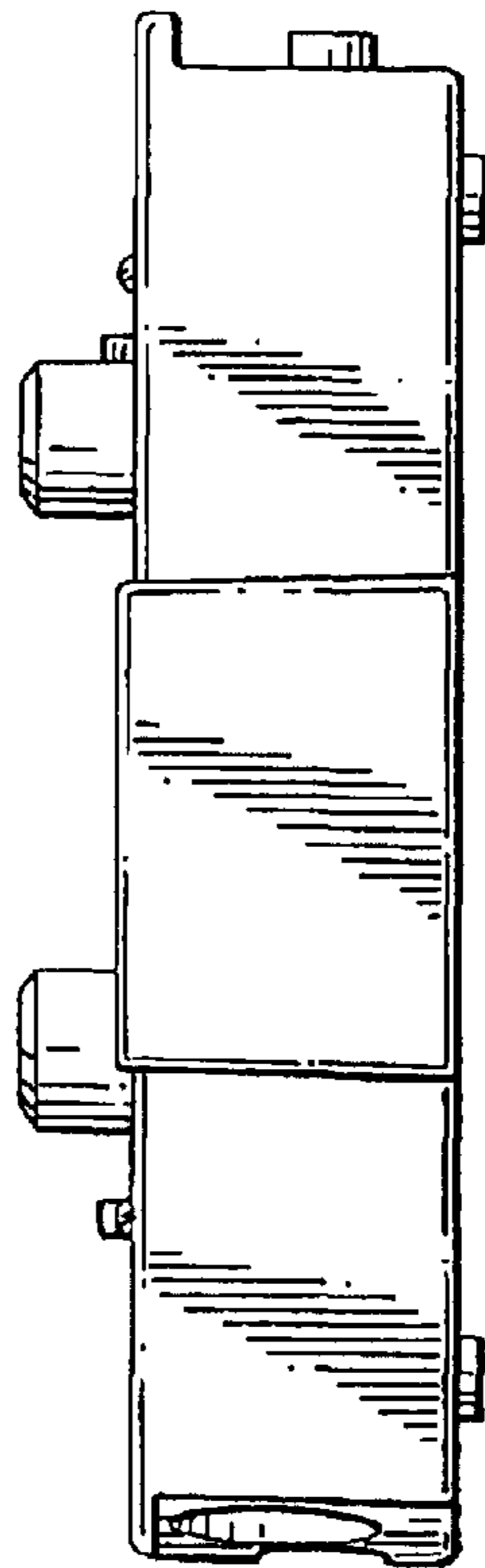


FIG. 6

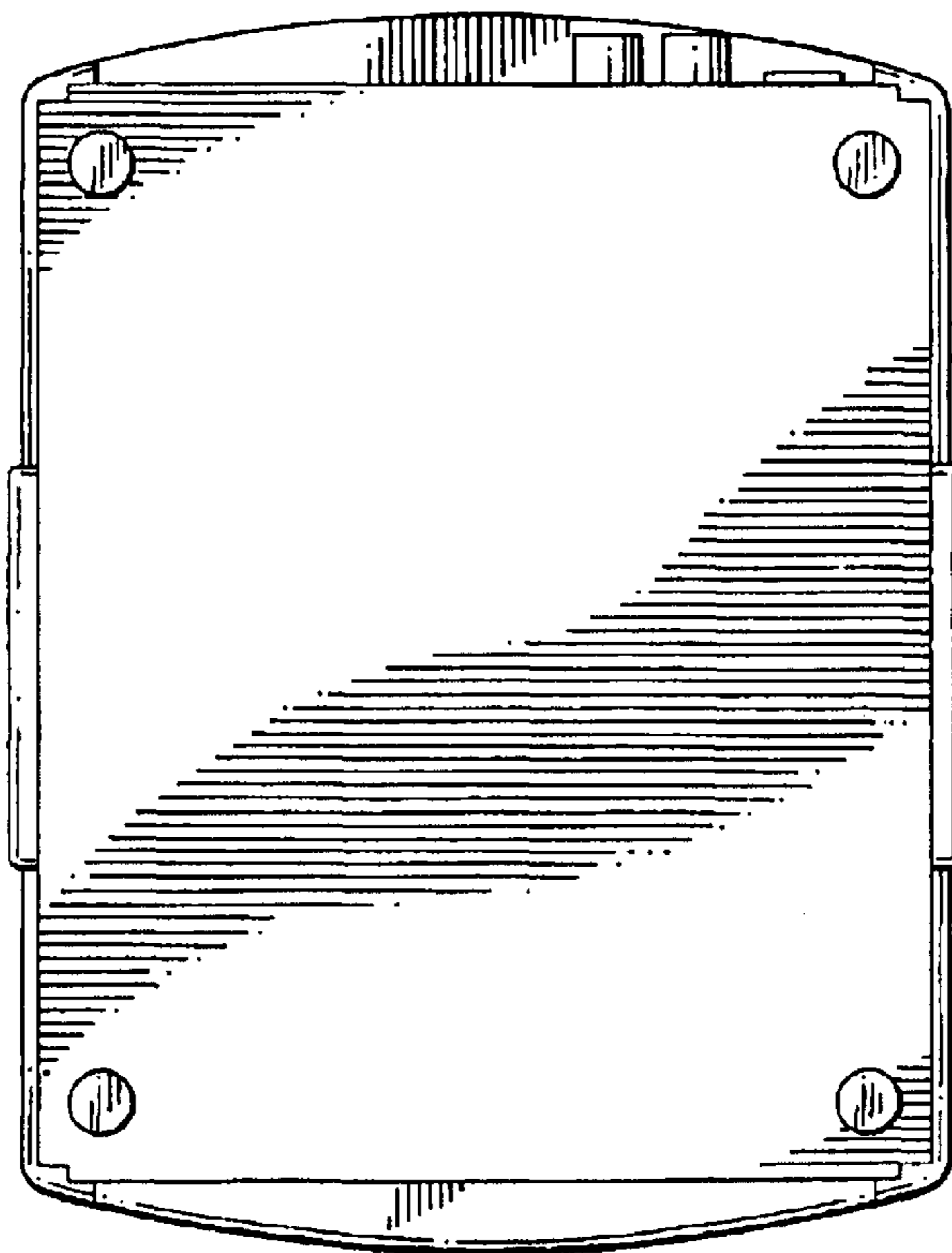


FIG. 7