



US00D489724S

(12) **United States Design Patent**
Fisher

(10) **Patent No.:** **US D489,724 S**

(45) **Date of Patent:** **** May 11, 2004**

(54) **PORTION OF AN ELECTRONIC MOUSE**

D479,529 S * 9/2003 Sheehan et al. D14/408

(75) Inventor: **Steven W. Fisher**, Kirkland, WA (US)

OTHER PUBLICATIONS

(73) Assignee: **Microsoft Corporation**, Redmond, WA (US)

Logitech Product Overview, Work, Play, 2 pages, Summer 2003.

(**) Term: **14 Years**

* cited by examiner

(21) Appl. No.: **29/188,219**

Primary Examiner—Kay H. Chin

(74) *Attorney, Agent, or Firm*—Banner & Witcoff, Ltd.

(22) Filed: **Aug. 15, 2003**

(57) **CLAIM**

(51) **LOC (7) Cl.** **14-02**

The ornamental design for a portion of an electronic mouse, as shown and described.

(52) **U.S. Cl.** **D14/408**; D14/402

(58) **Field of Search** D14/402-410;
D13/158; 200/5 R, 5 A, 6 R, 6 A; 273/148 B;
345/156-167; 74/471 XY; 436/36, 37, 38

DESCRIPTION

(56) **References Cited**

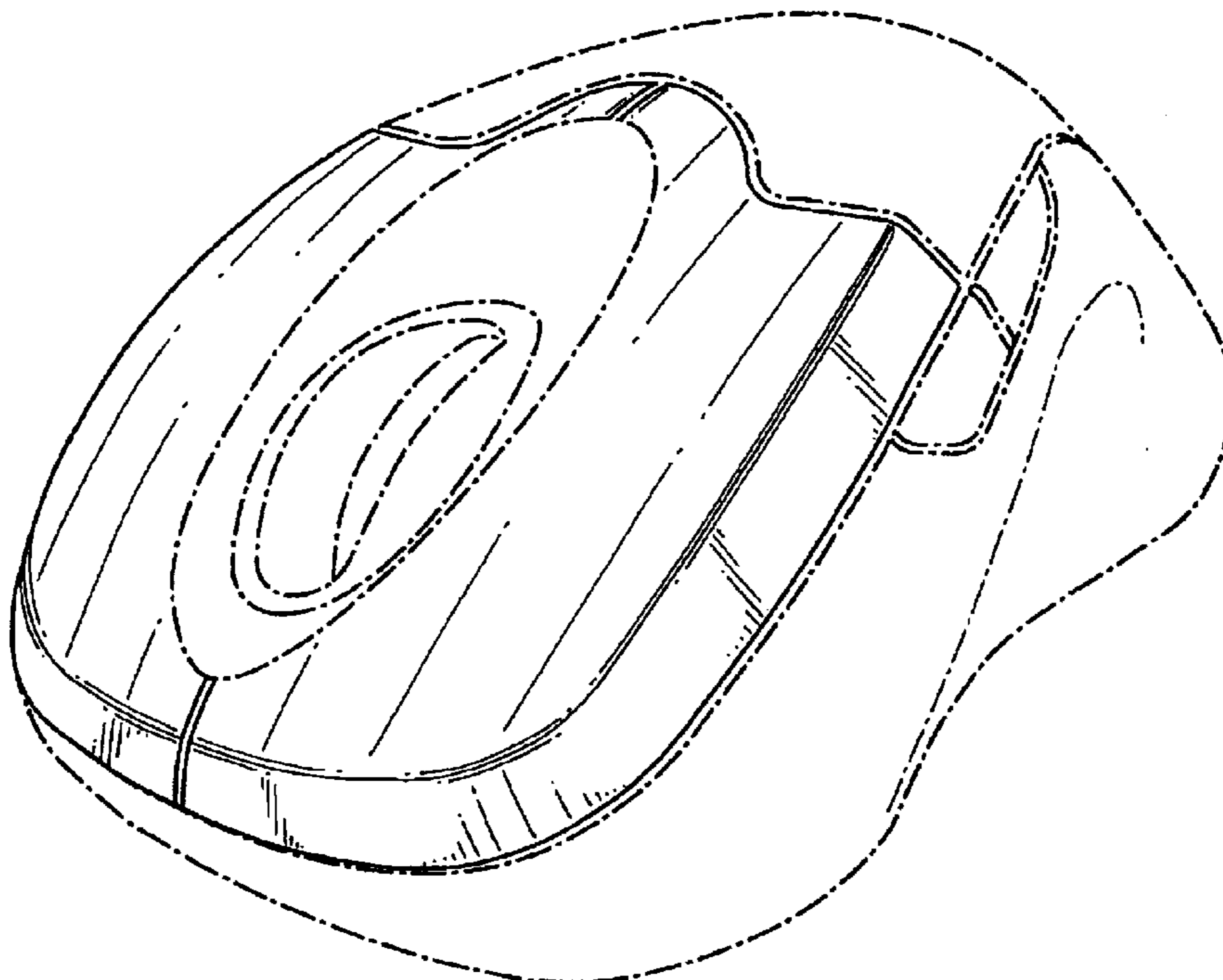
U.S. PATENT DOCUMENTS

D354,484 S	1/1995	Skaggs	
D371,771 S	7/1996	Verstockt	
D382,550 S	8/1997	Kaneko et al.	
D385,542 S	10/1997	Kaneko et al.	
D411,837 S	7/1999	Sheehan	
D421,602 S	3/2000	Hu	
D423,488 S	4/2000	O'Keefe et al.	
D431,567 S	10/2000	You	
D437,852 S	2/2001	Ledbetter et al.	
D438,209 S	2/2001	Ledbetter et al.	
D464,352 S	* 10/2002	Kerestegian D14/408
D472,899 S	* 4/2003	Hu et al. D14/402
D474,769 S	* 5/2003	Fisher et al. D14/408
D479,528 S	* 9/2003	Sheehan et al. D14/408

FIG. 1 is a front perspective view of a portion of an electronic mouse showing my new design;
FIG. 2 is a rear perspective view thereof;
FIG. 3 is a top view thereof;
FIG. 4 is a front view thereof;
FIG. 5 is a front perspective view of a portion of an electronic mouse according to another embodiment of my new design;
FIG. 6 is a rear perspective view thereof;
FIG. 7 is a top view thereof; and,
FIG. 8 is a front view thereof.

The broken line showing of a scroll wheel region and the remainder of the electronic mouse is for illustrative purposes and forms no part of the claimed design. The unshown bottom of the electronic mouse forms no part of the claimed design.

1 Claim, 6 Drawing Sheets



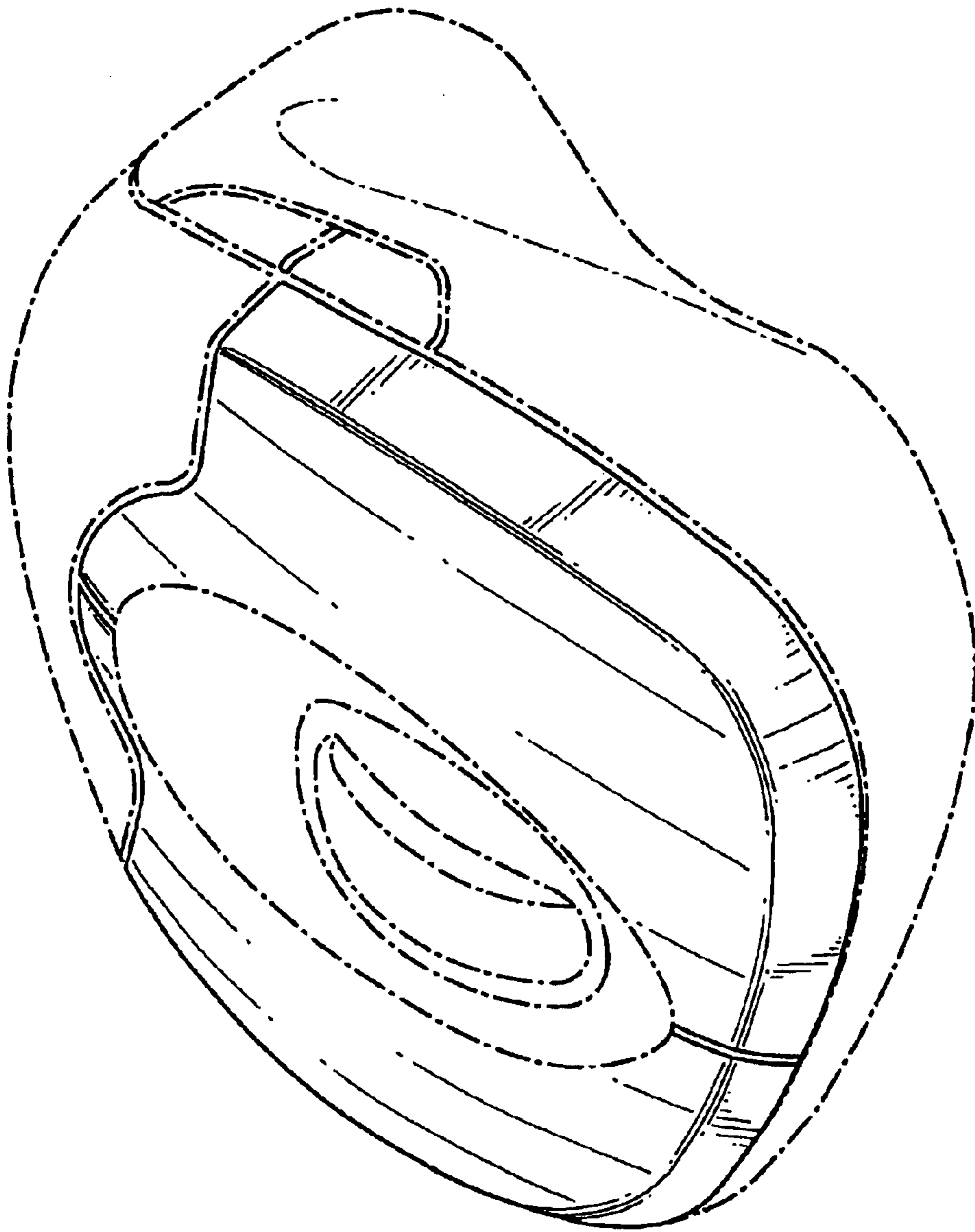


FIG.1

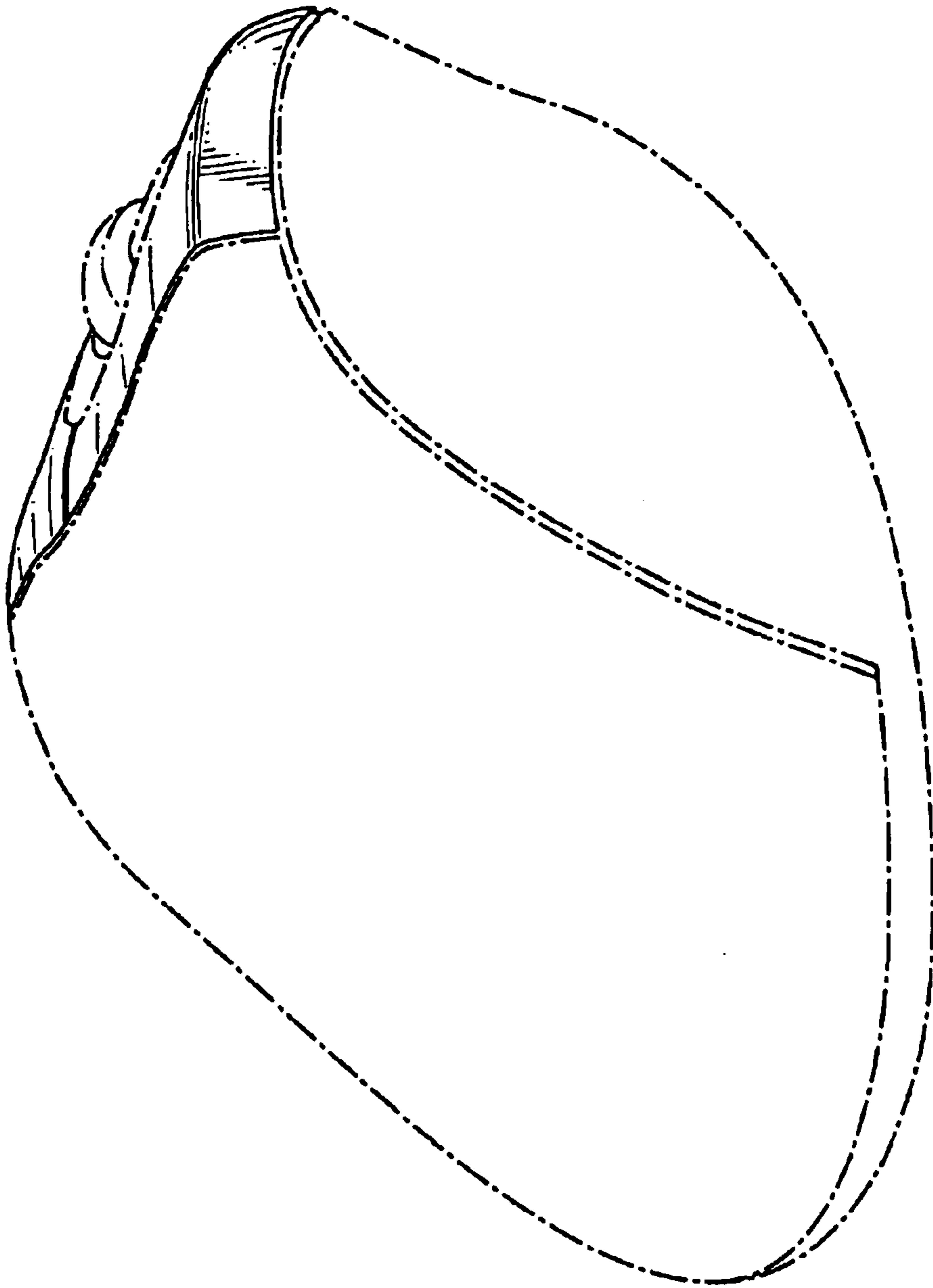


FIG. 2

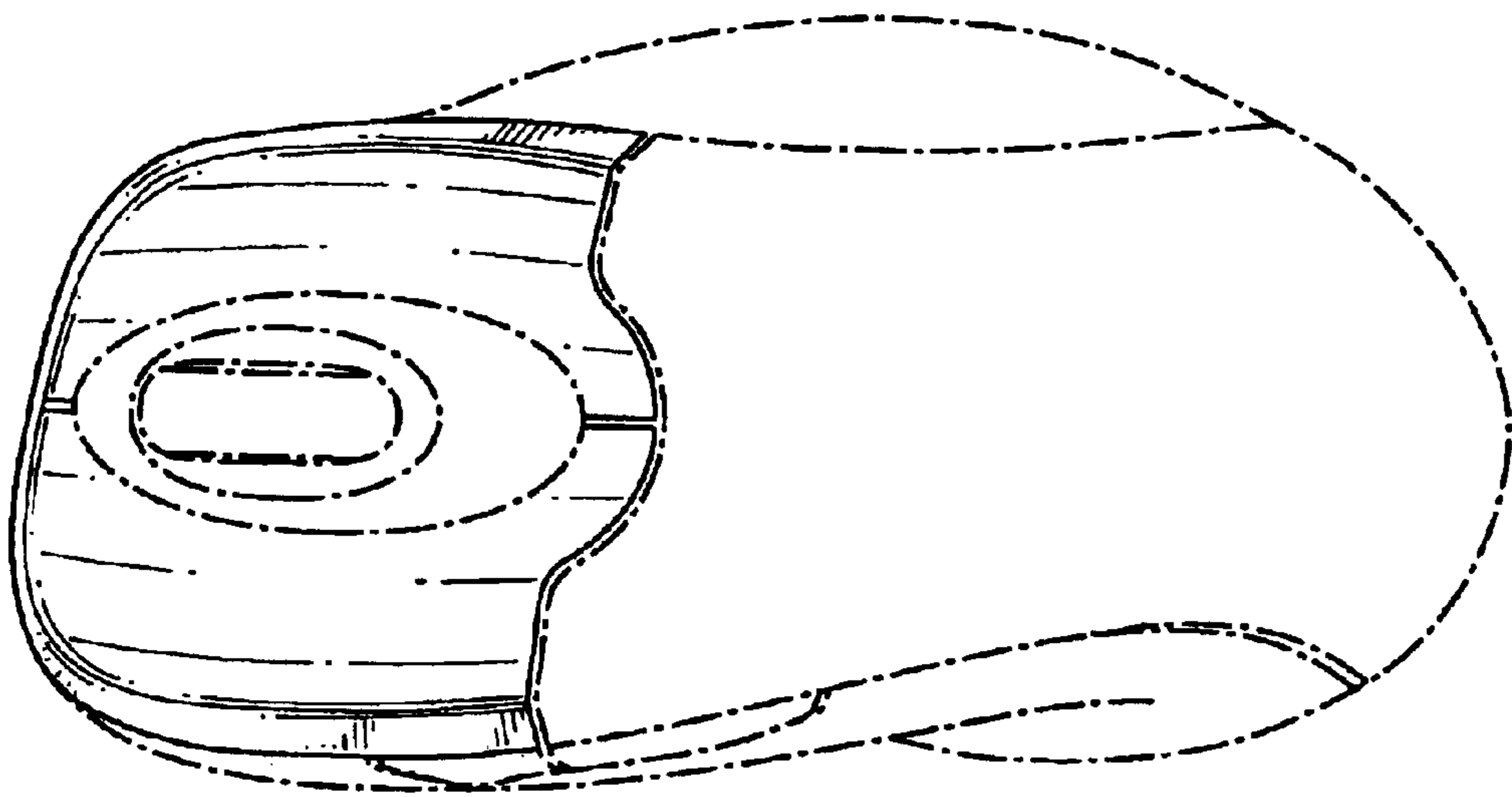


FIG. 3

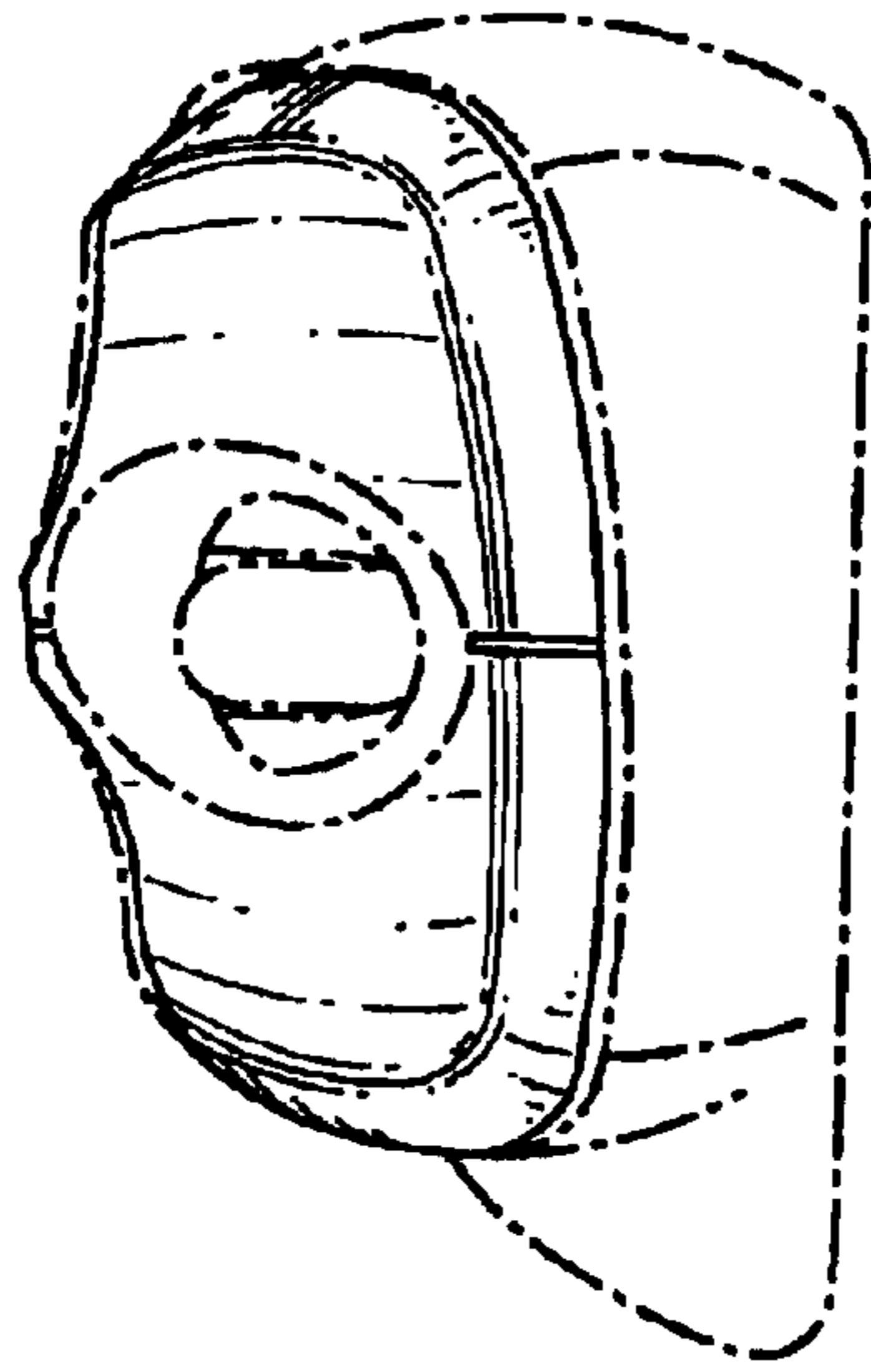


FIG. 4

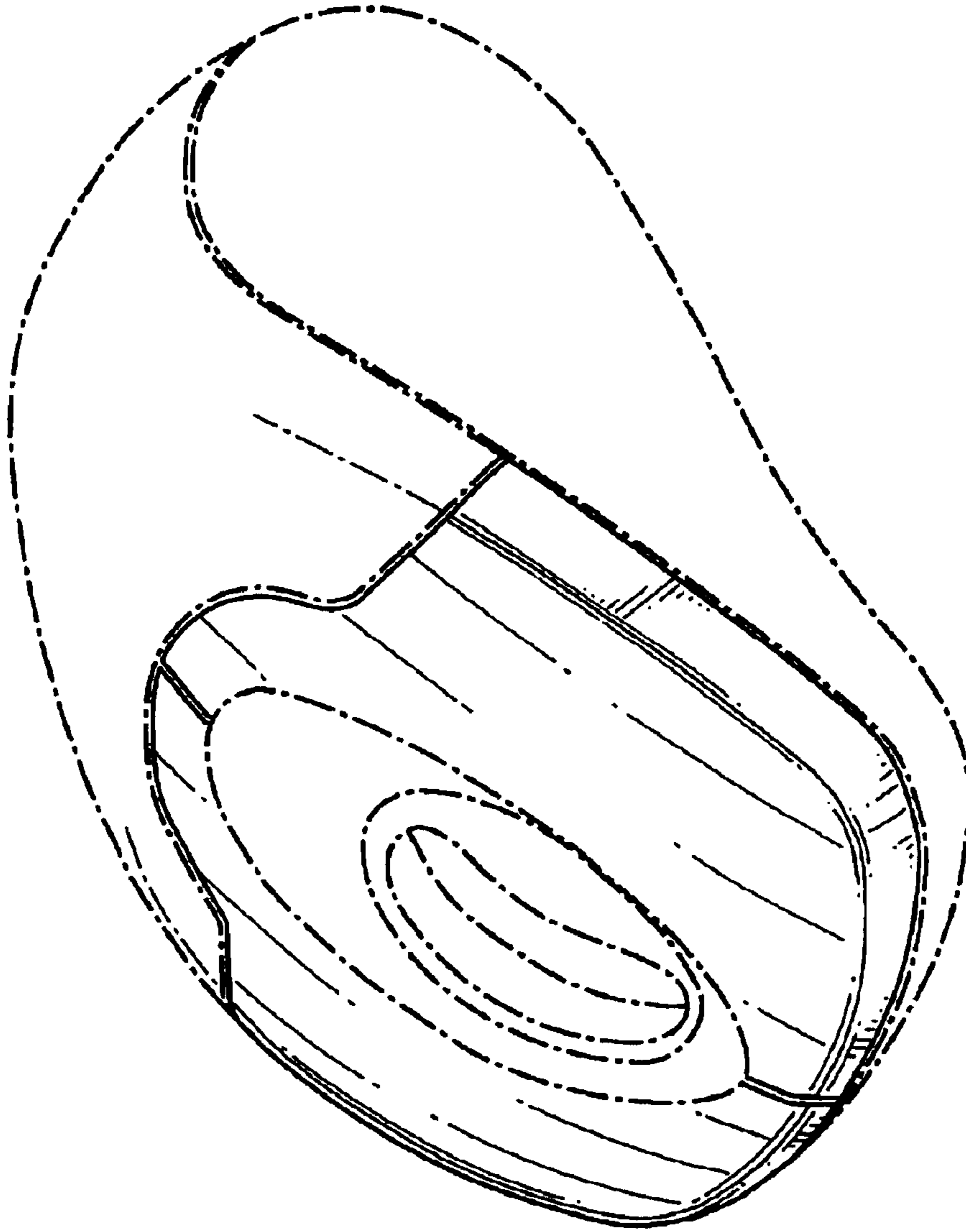


FIG.5

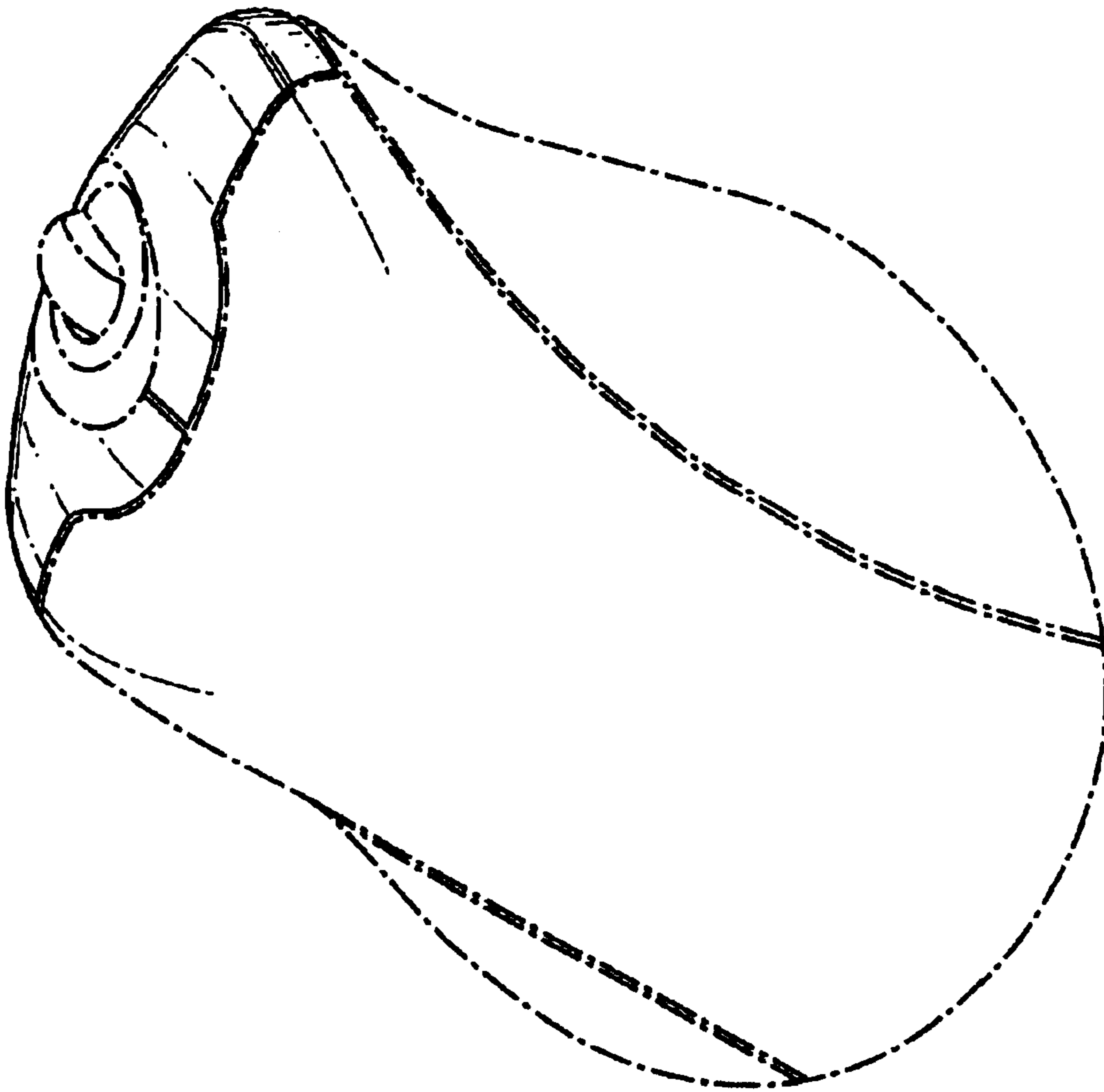


FIG.6

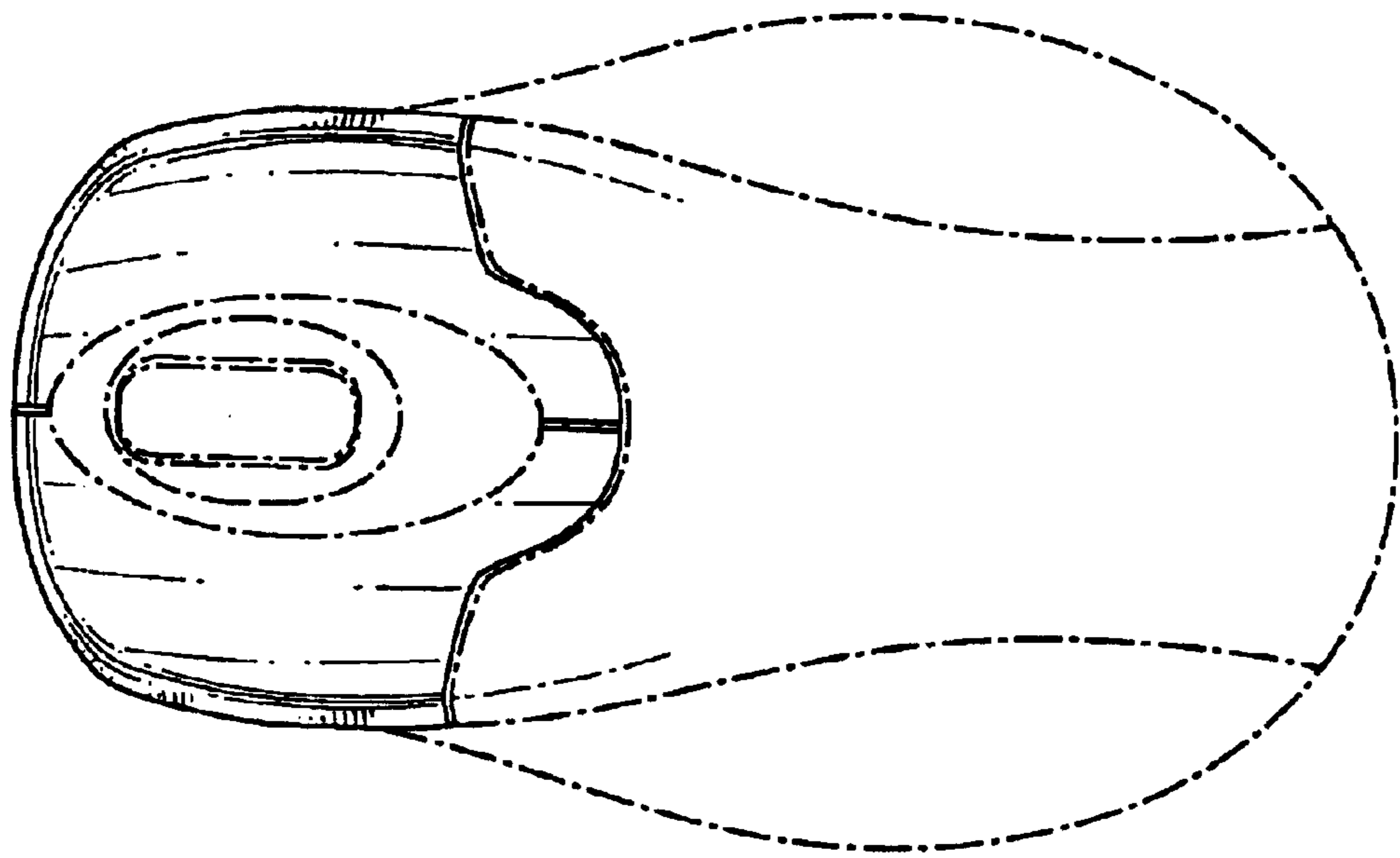


FIG. 7

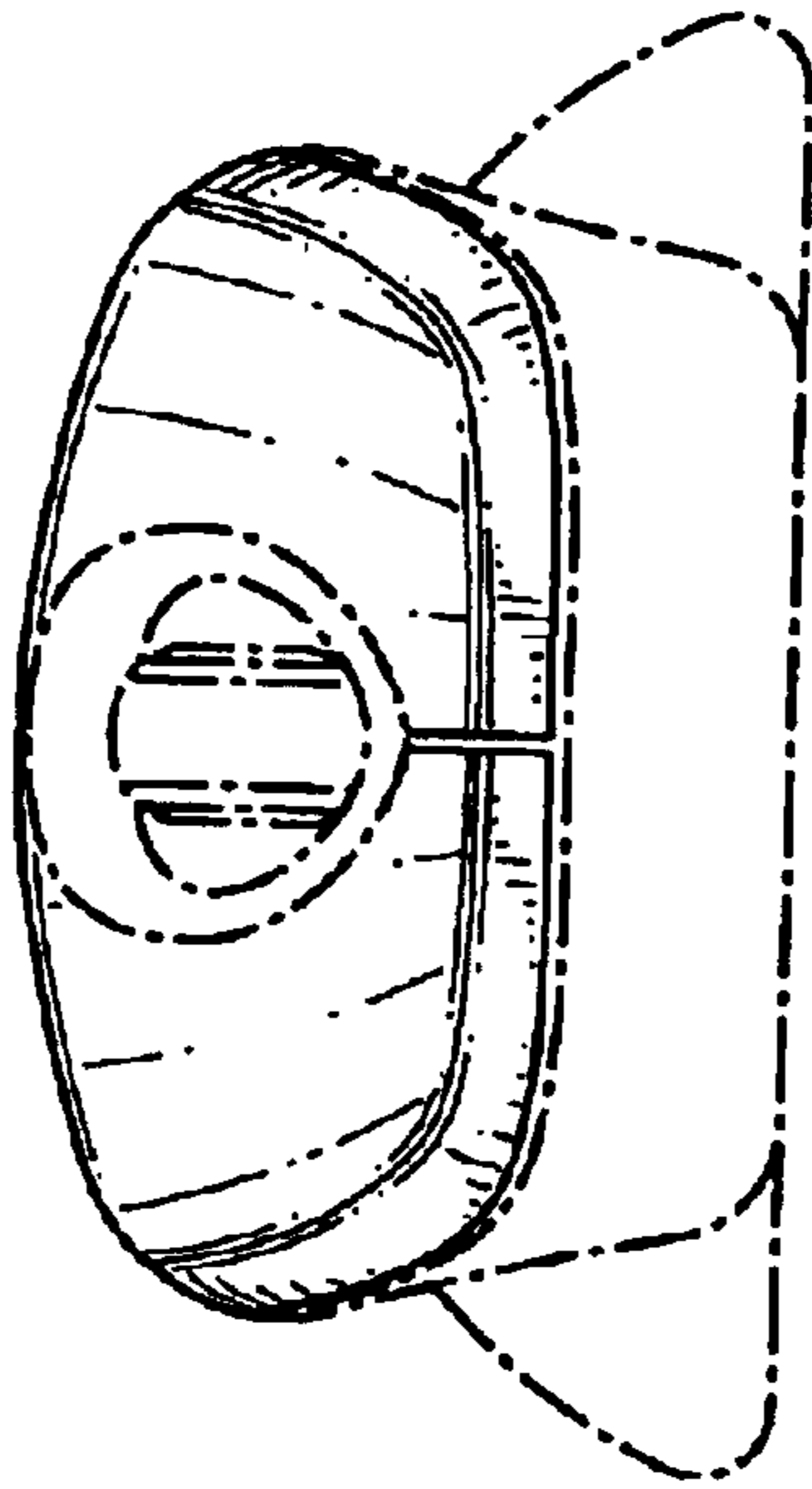


FIG. 8