



US00D489722S

(12) **United States Design Patent**
Matuschek

(10) **Patent No.:** **US D489,722 S**

(45) **Date of Patent:** **** May 11, 2004**

(54) **OPERATOR DEVICE WITH DISPLAY**

(75) Inventor: **Walter Matuschek**, Aalen (DE)

(73) Assignee: **Moeller GmbH**, Bonn (DE)

(**) Term: **14 Years**

(21) Appl. No.: **29/180,062**

(22) Filed: **Apr. 18, 2003**

(30) **Foreign Application Priority Data**

Oct. 19, 2002 (DE) 402 08 695

(51) **LOC (7) Cl.** **14-02**

(52) **U.S. Cl.** **D14/388**; D24/186

(58) **Field of Search** D14/371, 388,
D14/217, 356, 125-129; 345/104, 156,
168, 173, 901-905, 87; 348/180, 184, 325,
739; 349/1, 2, 11, 62; 341/12; D24/107,
186

(56) **References Cited**

U.S. PATENT DOCUMENTS

D299,861 S * 2/1989 Hunsdale et al. D24/186
D412,897 S * 8/1999 Attwood et al. D14/388

D426,204 S * 6/2000 Maio et al. D14/356
D448,756 S * 10/2001 Lewellen D14/217
D459,813 S * 7/2002 Ramsey, III D24/186

* cited by examiner

Primary Examiner—Freda S. Nunn

(74) *Attorney, Agent, or Firm*—Davidson, Davidson & Kappel, LLC

(57) **CLAIM**

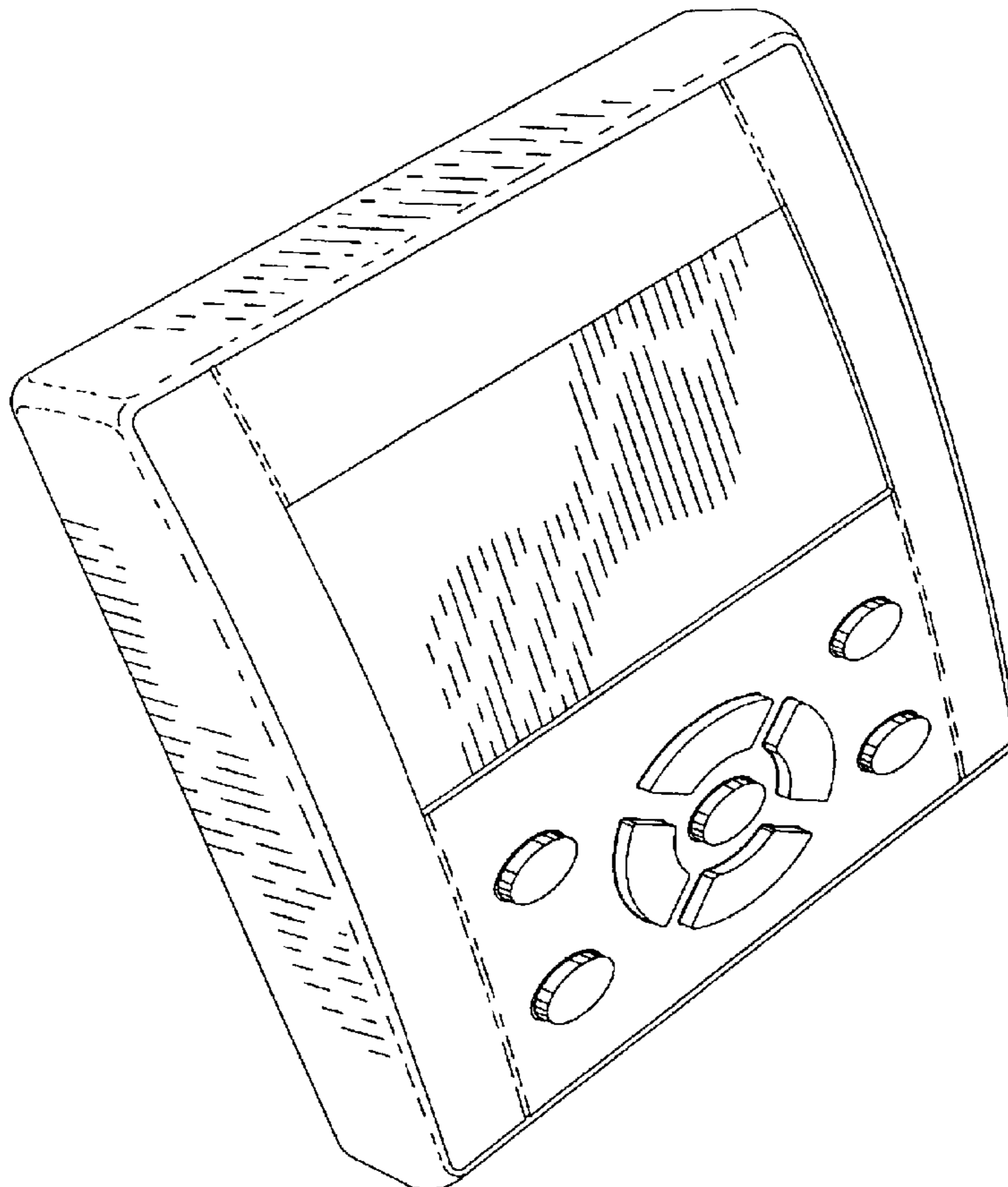
The ornamental design for an operator device with display, as shown and described.

DESCRIPTION

FIG. 1 is a top left side perspective view of the operator device with display, showing my new design; FIG. 2 is front view thereof; FIG. 3 is a left side elevational view thereof; FIG. 4 is a right side elevational view thereof; FIG. 5 is a top view thereof; and, FIG. 6 is a bottom view thereof.

The broken lines form no part of the design to be patented. The broken lines in FIGS. 3, 4, 5 and 6 show environment related to the claimed design and are for illustrative purposes only.

1 Claim, 4 Drawing Sheets



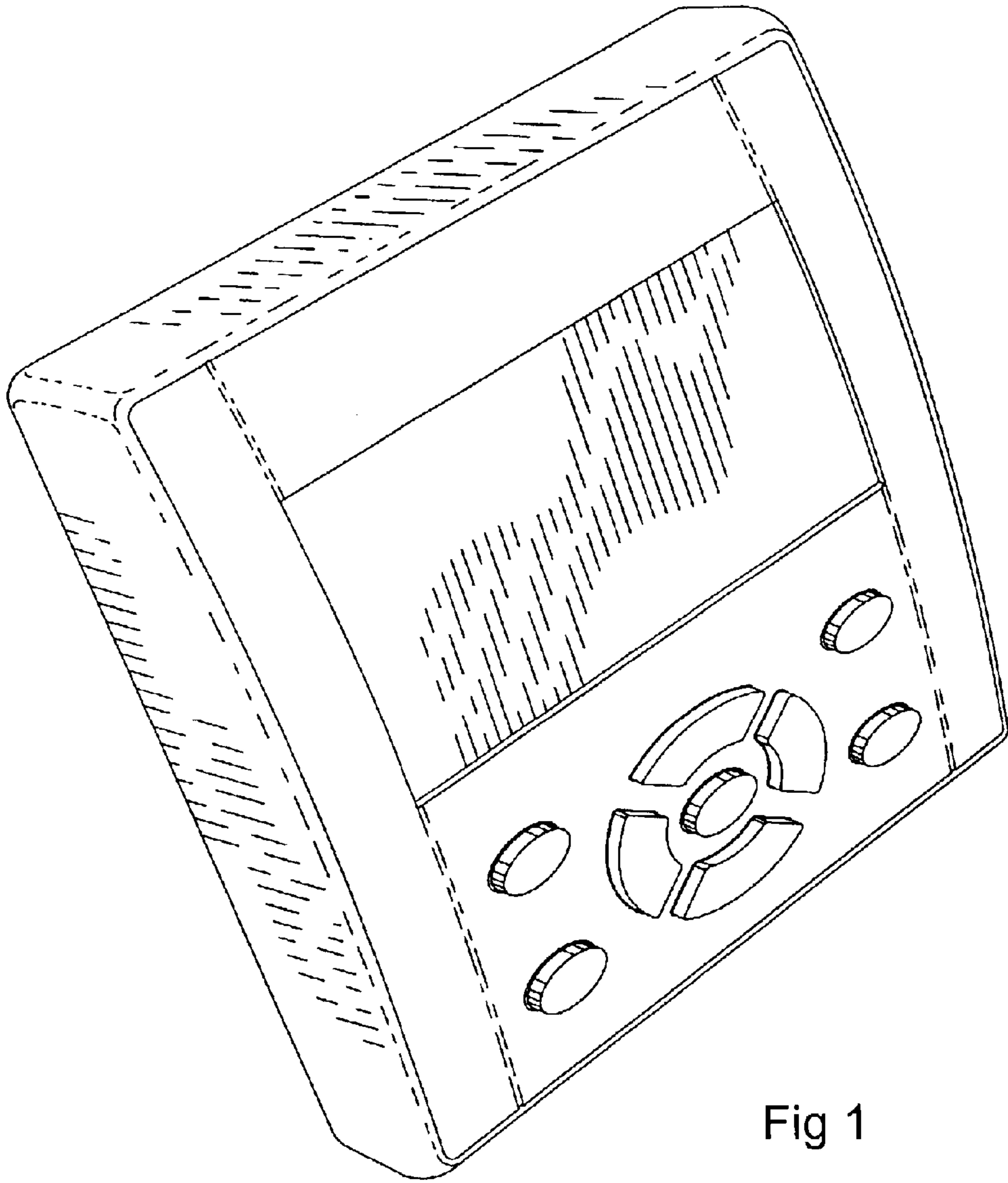


Fig 1

Fig 2

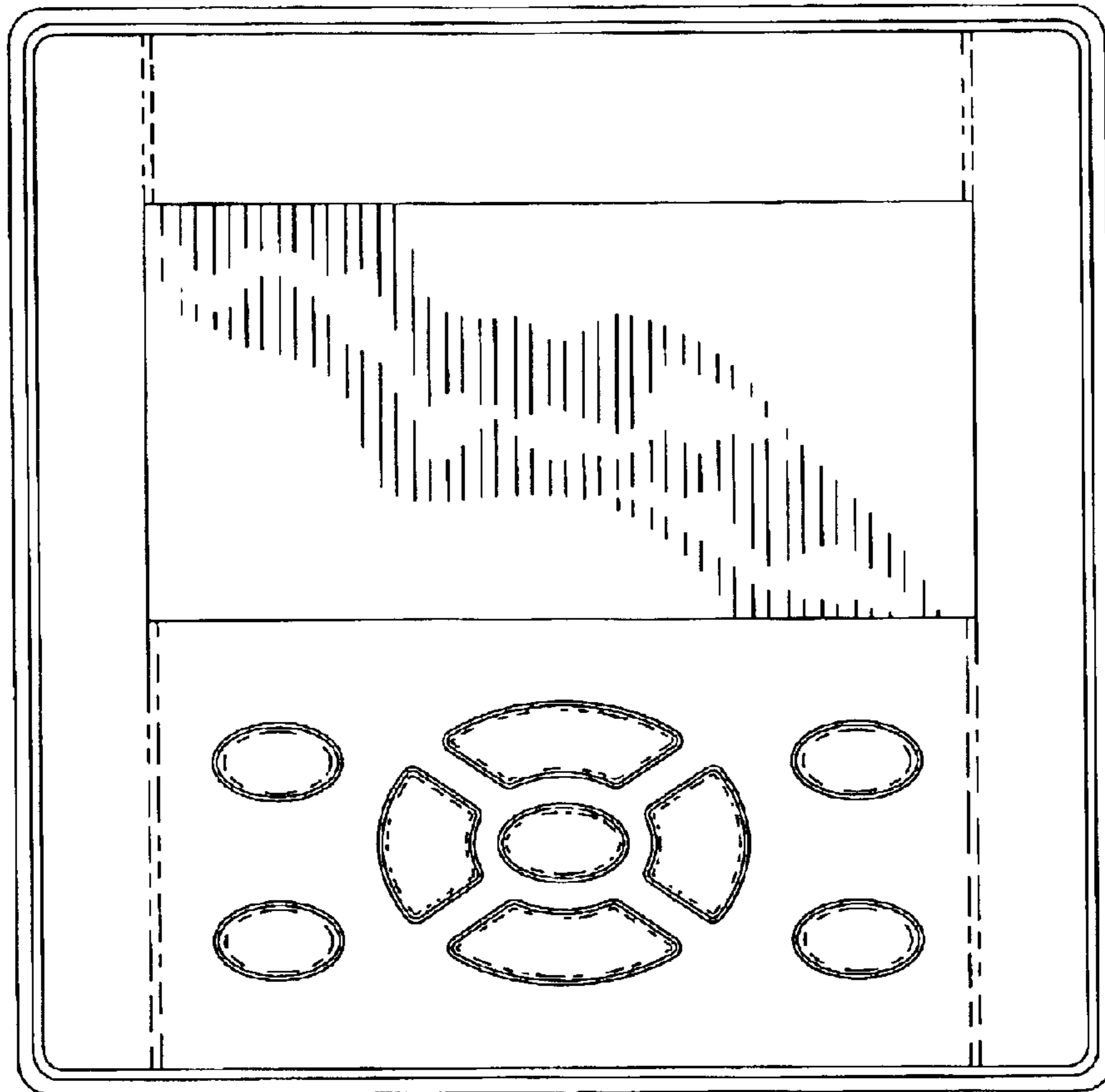


Fig 3

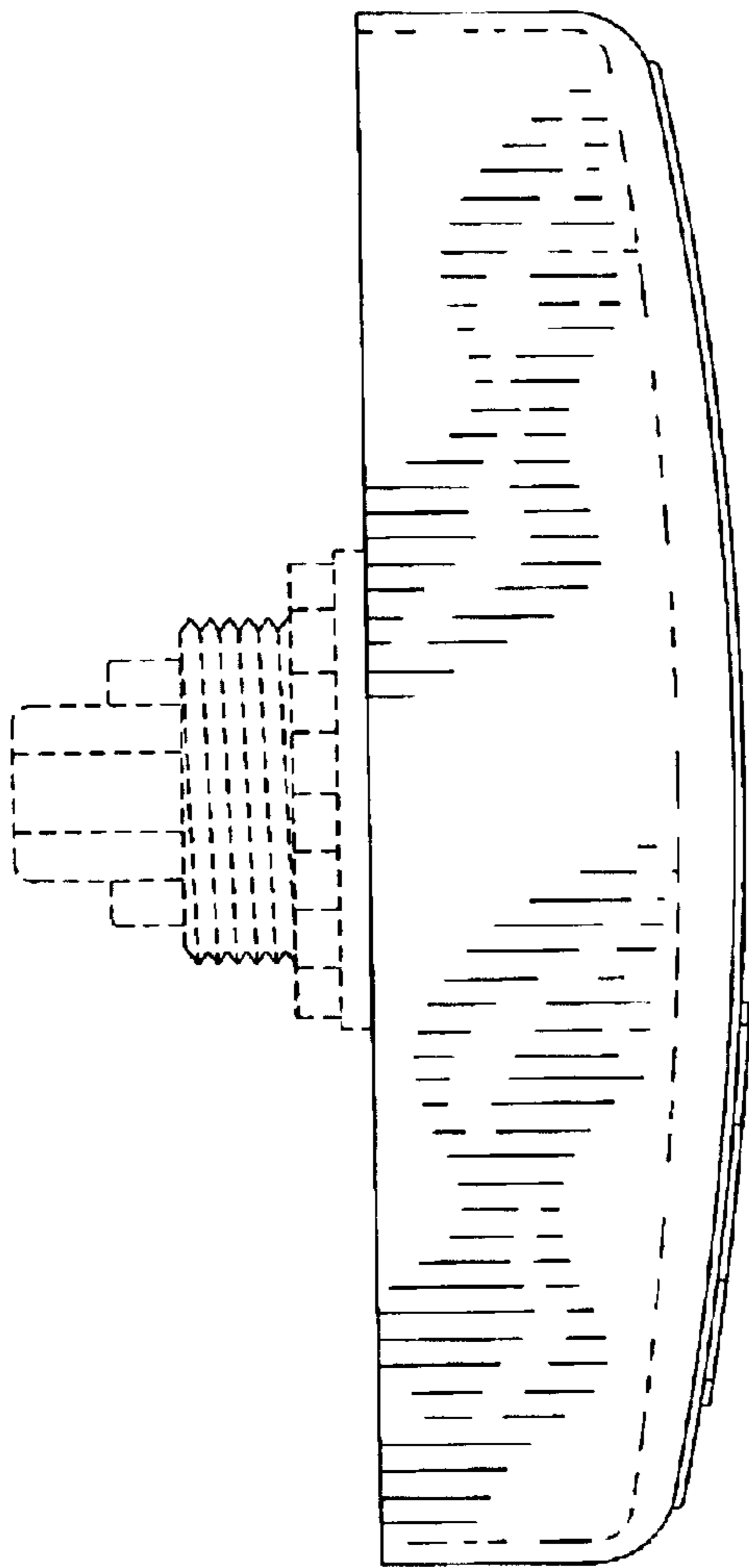


Fig 4

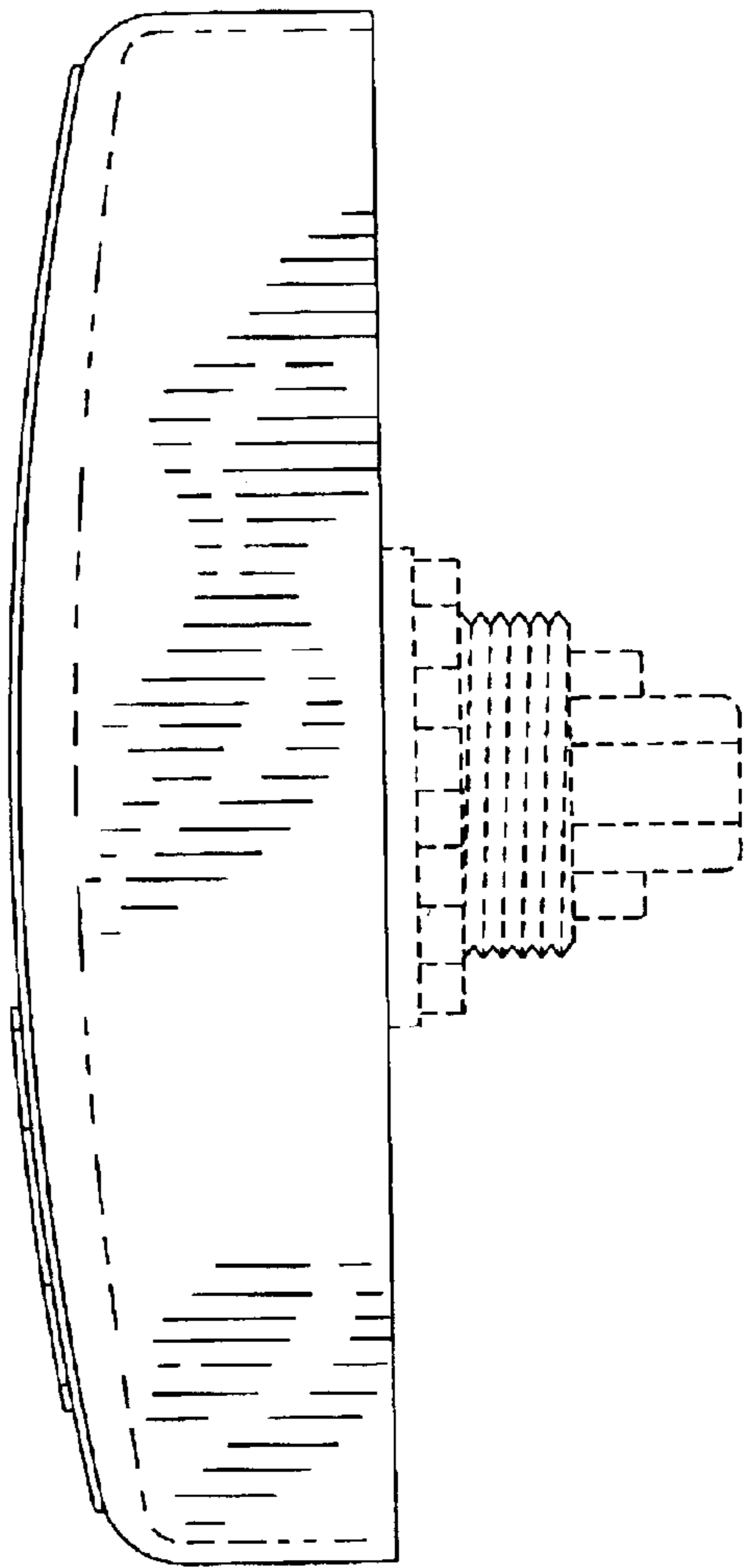


Fig 5

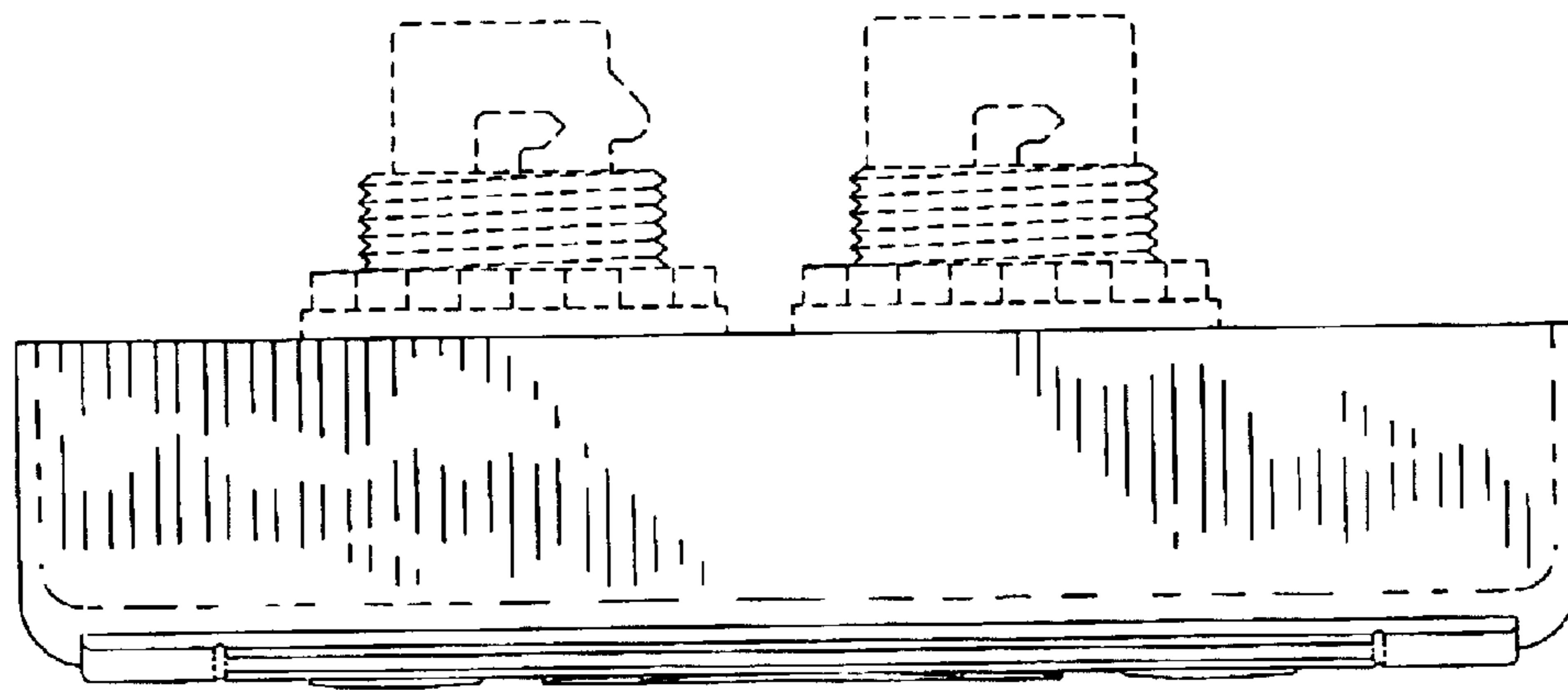
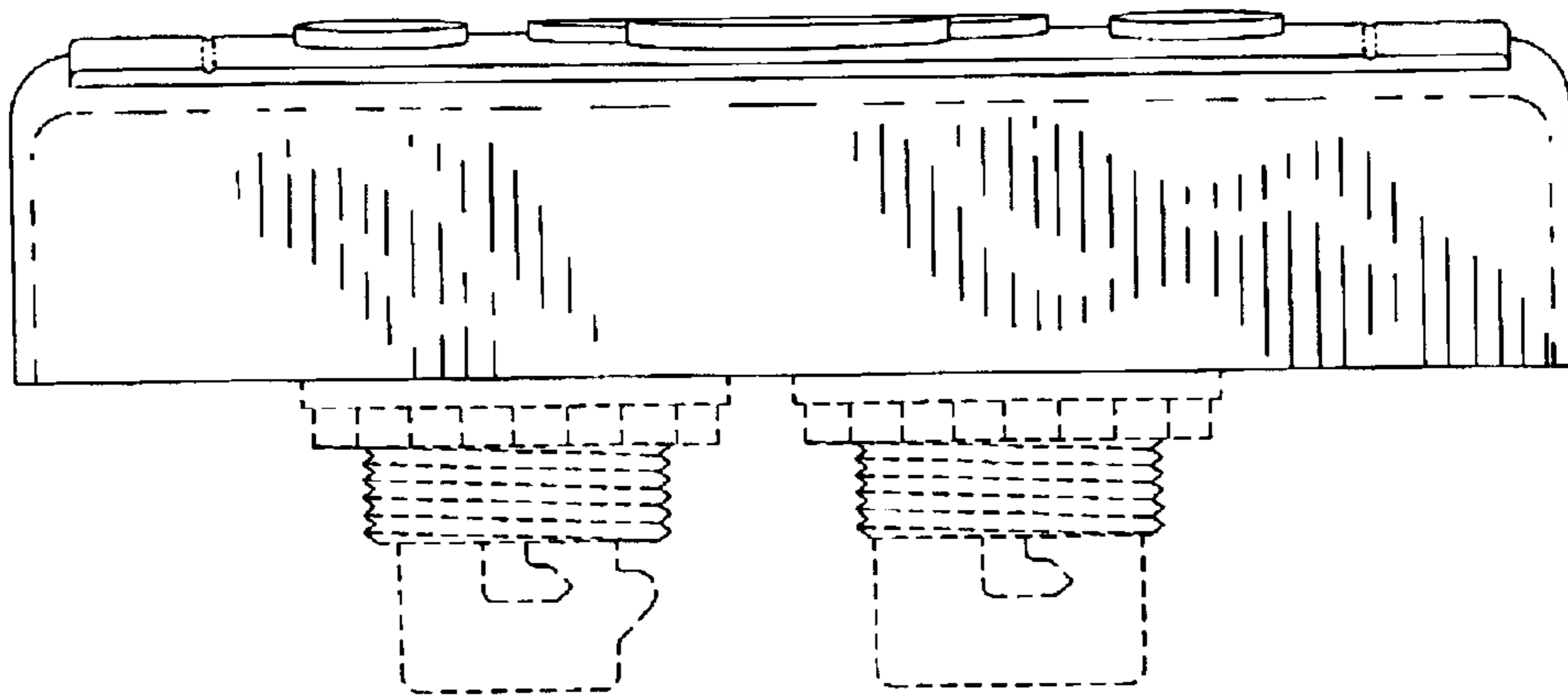


Fig 6