



US00D489718S

(12) **United States Design Patent**
Kataoka

(10) **Patent No.:** **US D489,718 S**

(45) **Date of Patent:** **** May 11, 2004**

(54) **COMPUTER COMBINED WITH RECORDER/
PLAYER**

(75) Inventor: **Tetsu Kataoka**, Tokyo (JP)

(73) Assignee: **Sony Corporation**, Tokyo (JP)

(**) Term: **14 Years**

(21) Appl. No.: **29/161,126**

(22) Filed: **May 24, 2002**

(51) **LOC (7) Cl.** **14-02**

(52) **U.S. Cl.** **D14/346**

(58) **Field of Search** D14/136, 341-346;
D18/1, 2, 7; 235/145 A, 145 R; 341/22,
23; 345/156, 168, 169, 172, 173, 87; 349/12;
361/680-686

(56) **References Cited**

U.S. PATENT DOCUMENTS

| | | | | | |
|------------|---|---------|------------|-------|---------|
| D408,372 S | * | 4/1999 | Ota et al. | | D14/346 |
| D448,763 S | | 10/2001 | Ikenaga | | |
| D464,961 S | * | 10/2002 | Sogabe | | D14/346 |
| D476,989 S | * | 7/2003 | Matsumoto | | D14/346 |

OTHER PUBLICATIONS

Home page "Sony Drive, Clié, PEG-N700C, <http://www.sony.co.jp/sd/products/Models/Library/PEG-N700C.html>", Sony Corporation (Oct. 2001).

Home page "handspring™, Visor Edge, <http://www.handspring.co.jp/products/visoredge/index.asp?did=0000>", 2 sheets, Handspring Kabushiki Kaisha (Oct. 2001).

* cited by examiner

Primary Examiner—Kay H. Chin

(74) *Attorney, Agent, or Firm*—Rader, Fishman & Grauer PLLC

(57) **CLAIM**

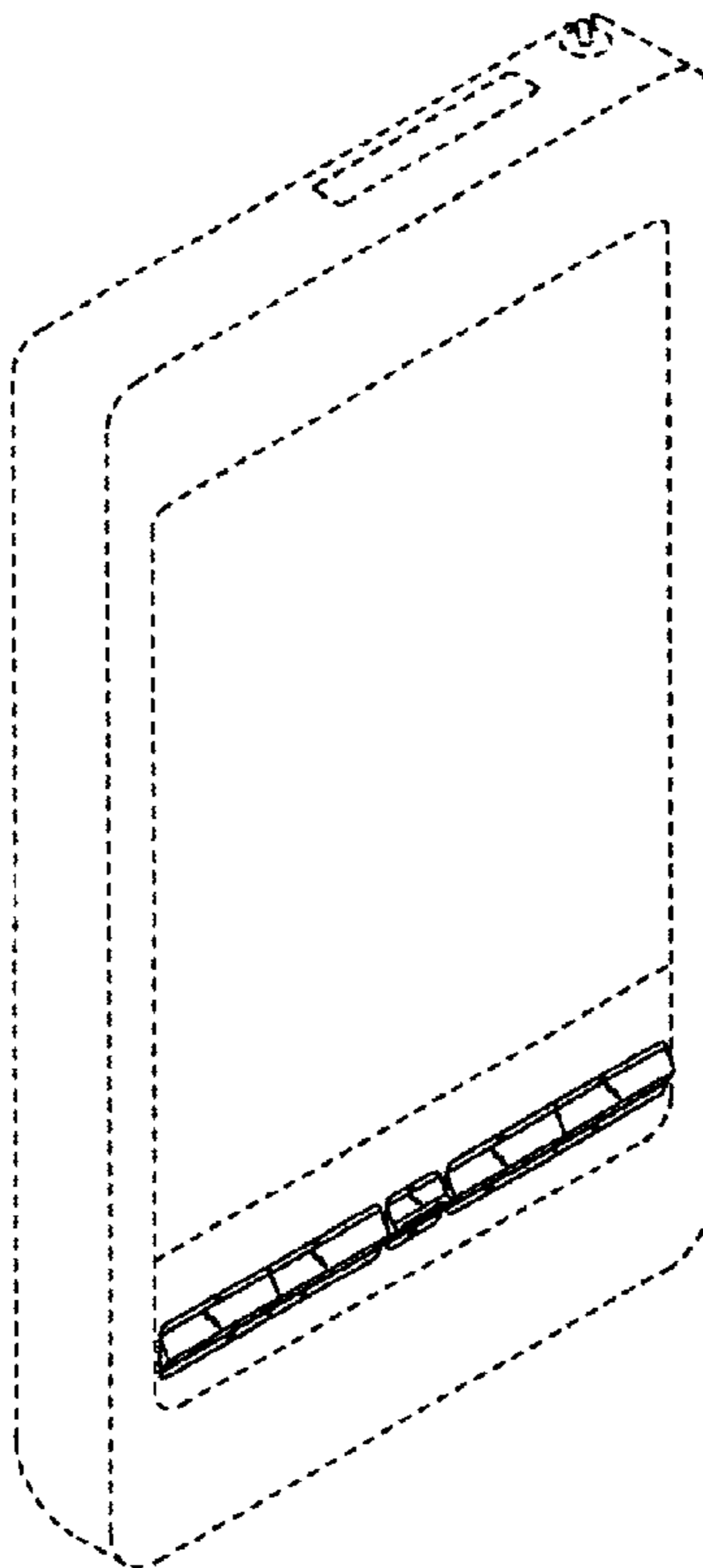
The ornamental design for a computer combined with recorder/player, as shown and described.

DESCRIPTION

FIG. 1 is a perspective view of a computer combined with recorder/player showing my new design;
FIG. 2 is a front elevational view thereof;
FIG. 3 is a left side elevational view thereof;
FIG. 4 is a right side elevational view thereof;
FIG. 5 is a top plan view thereof; and
FIG. 6 is a bottom plan view thereof; and,
FIG. 7 is a rear elevational view thereof.
FIG. 7 is for illustrative purpose only and forms no part of claimed design.

Portions in broken lines are for illustrative purpose only and form no part of claimed design.

1 Claim, 5 Drawing Sheets



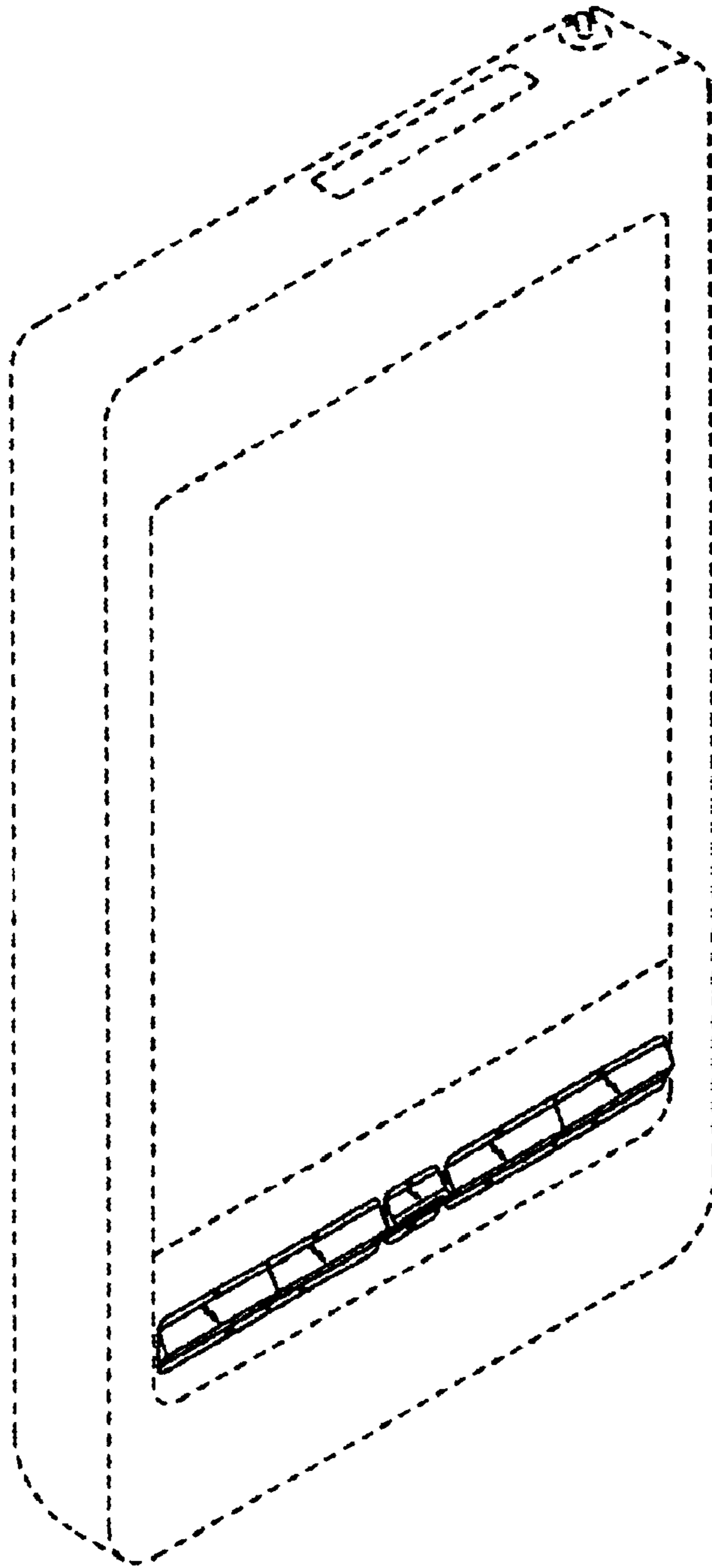


Fig. 1

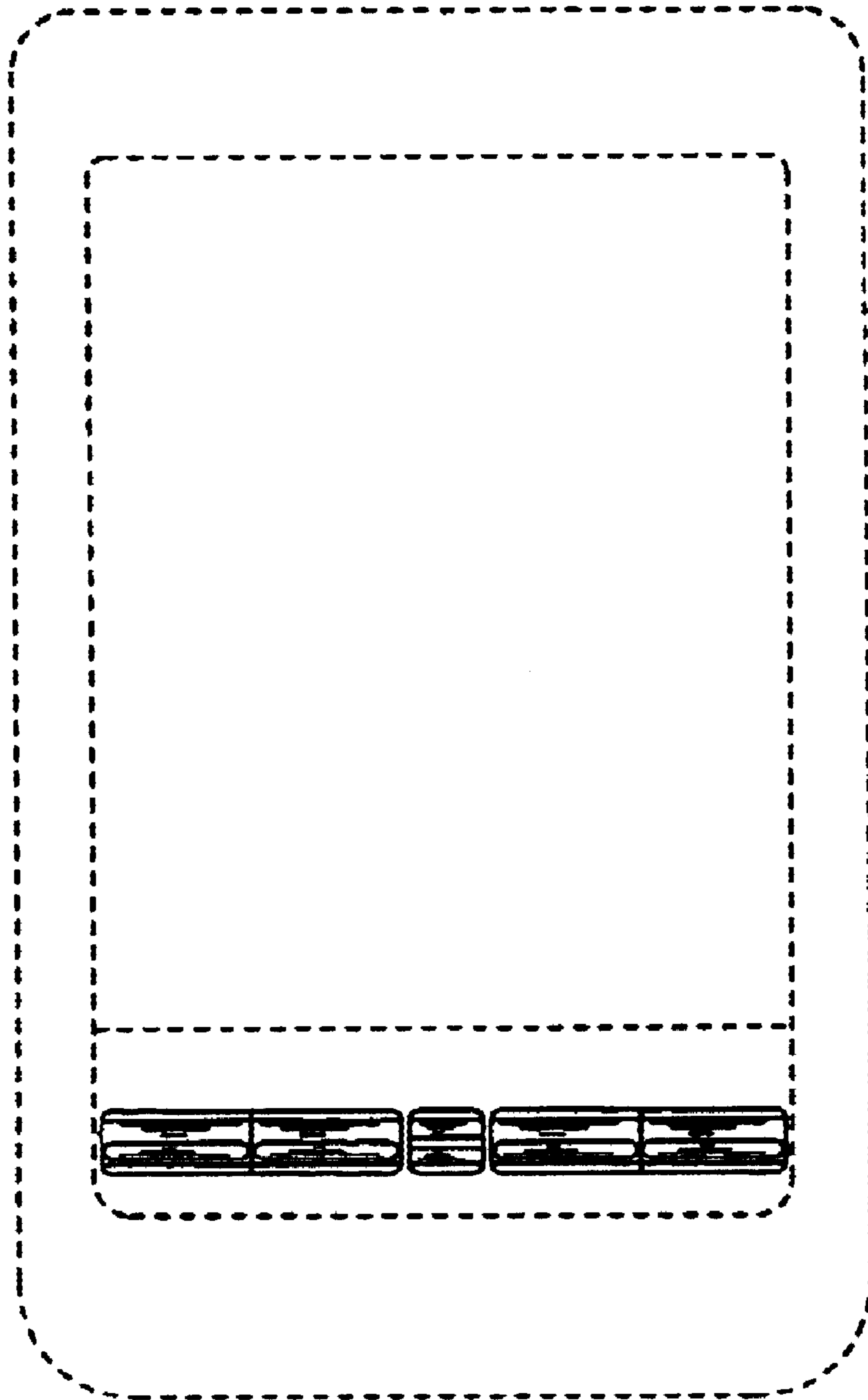


Fig. 2

Fig. 3

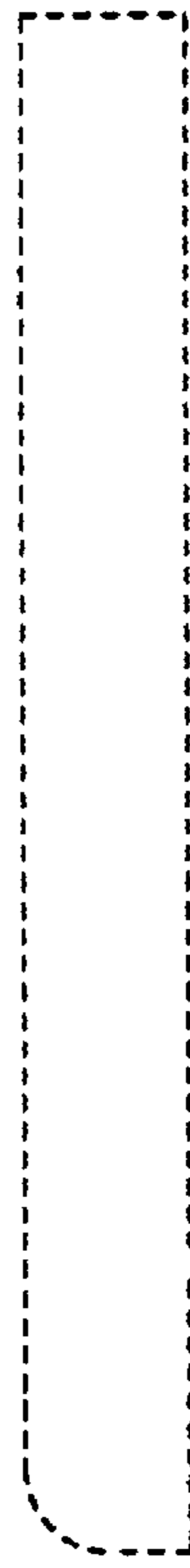
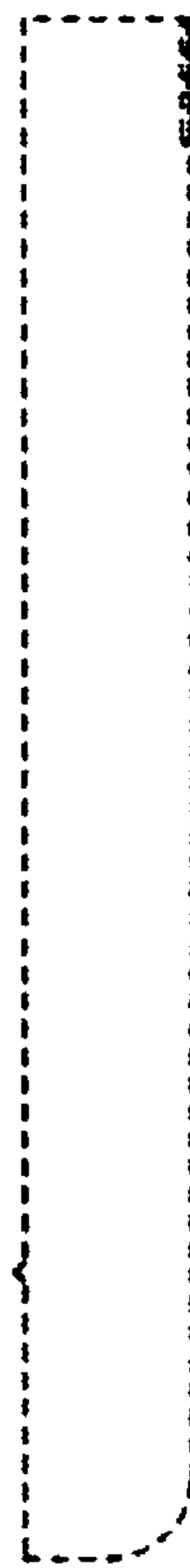


Fig. 4



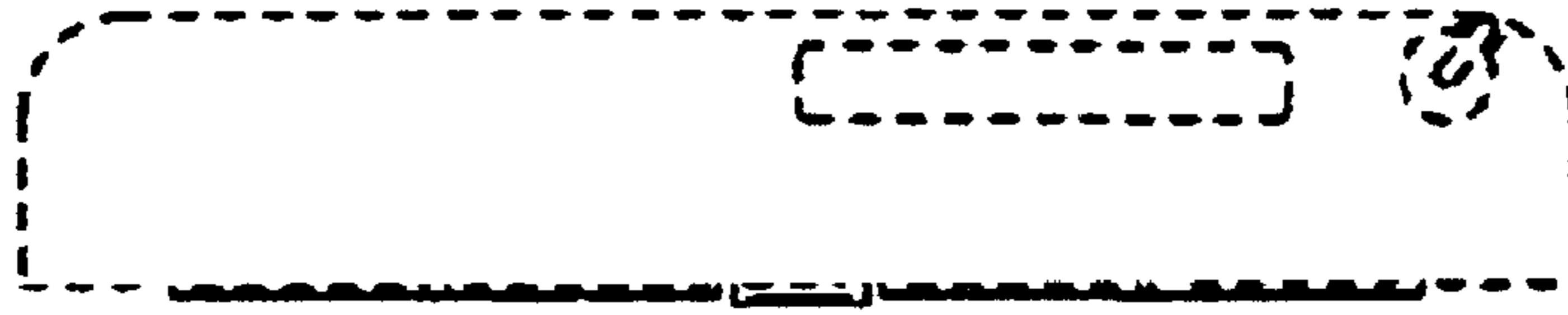


Fig. 5

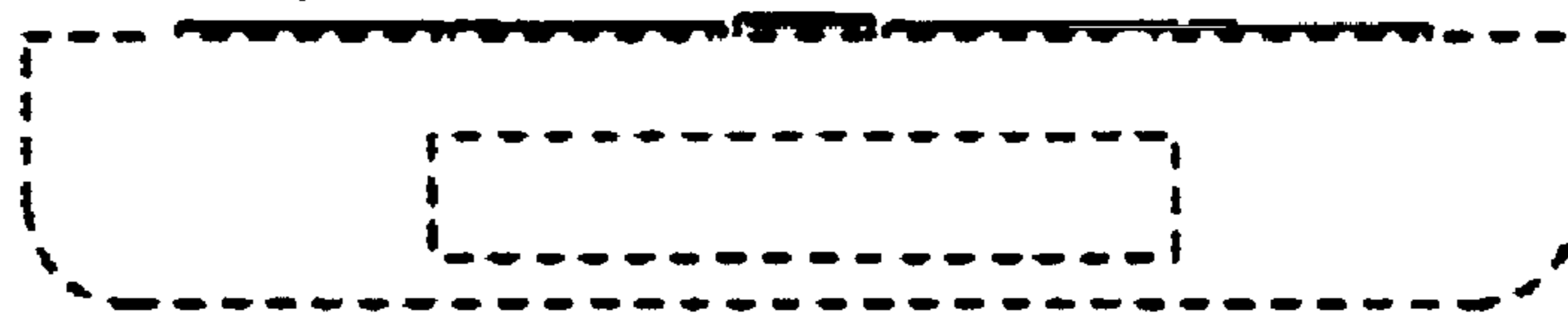


Fig. 6

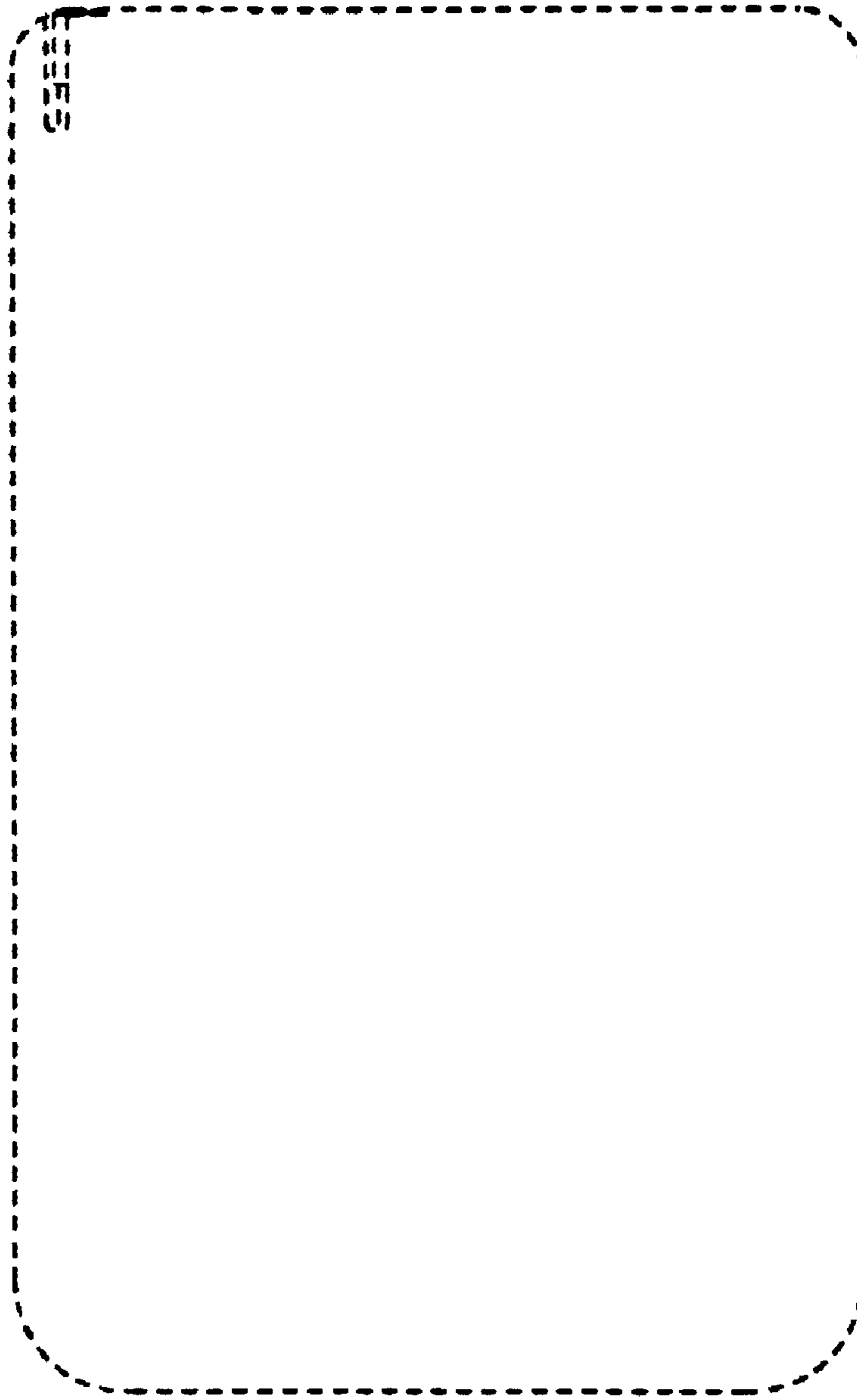


Fig. 7