



US00D489714S

(12) **United States Design Patent**
Yin et al.

(10) **Patent No.:** **US D489,714 S**

(45) **Date of Patent:** **** May 11, 2004**

(54) **PCMCIA CARD**

(75) Inventors: **Chun-Hsiung Yin**, Tainan (TW);
Fu-Long Hong, Taipei (TW)

(73) Assignee: **Benq Corporation** (TW)

(**) Term: **14 Years**

(21) Appl. No.: **29/162,967**

(22) Filed: **Jun. 26, 2002**

(30) **Foreign Application Priority Data**

Mar. 13, 2002 (TW) 91301077

(51) **LOC (7) Cl.** **14-03**

(52) **U.S. Cl.** **D14/242**

(58) **Field of Search** D14/240-256,
D14/436, 437; 379/419, 420, 428, 440,
406, 93.01, 93, 28; 455/550-575, 90; 361/600,
622, 729; 375/220, 225

(56) **References Cited**

U.S. PATENT DOCUMENTS

- D304,448 S * 11/1989 De La Cruz et al. D14/436
- D378,085 S * 2/1997 Kerklaan et al. D14/436
- D398,004 S * 9/1998 Klinker D14/436
- D413,879 S * 9/1999 Wu D14/436
- D415,132 S * 10/1999 Homma et al. D14/436
- D416,886 S * 11/1999 Hirai et al. D14/436

- D425,072 S * 5/2000 Dosch et al. D14/242
- D451,501 S * 12/2001 Sward et al. D14/242
- D458,267 S * 6/2002 Goto D14/436
- D458,935 S * 6/2002 Hiroki D14/436
- 6,400,931 B1 * 6/2002 Inkinen et al. 455/90
- D467,586 S * 12/2002 Shimoda et al. D14/436
- D470,499 S * 2/2003 Salazar et al. D14/436

OTHER PUBLICATIONS

Telecom Products Advertisement, Jun. 2001, p. 28.

* cited by examiner

Primary Examiner—Charles A. Rademaker

(74) *Attorney, Agent, or Firm*—Rabin & Berdo, PC

(57) **CLAIM**

The ornamental design for a PCMCIA card, as shown and described.

DESCRIPTION

FIG. 1 is a perspective view of a PCMCIA card showing our new design;

FIG. 2 is a front elevational view thereof;

FIG. 3 is a left side elevational view thereof;

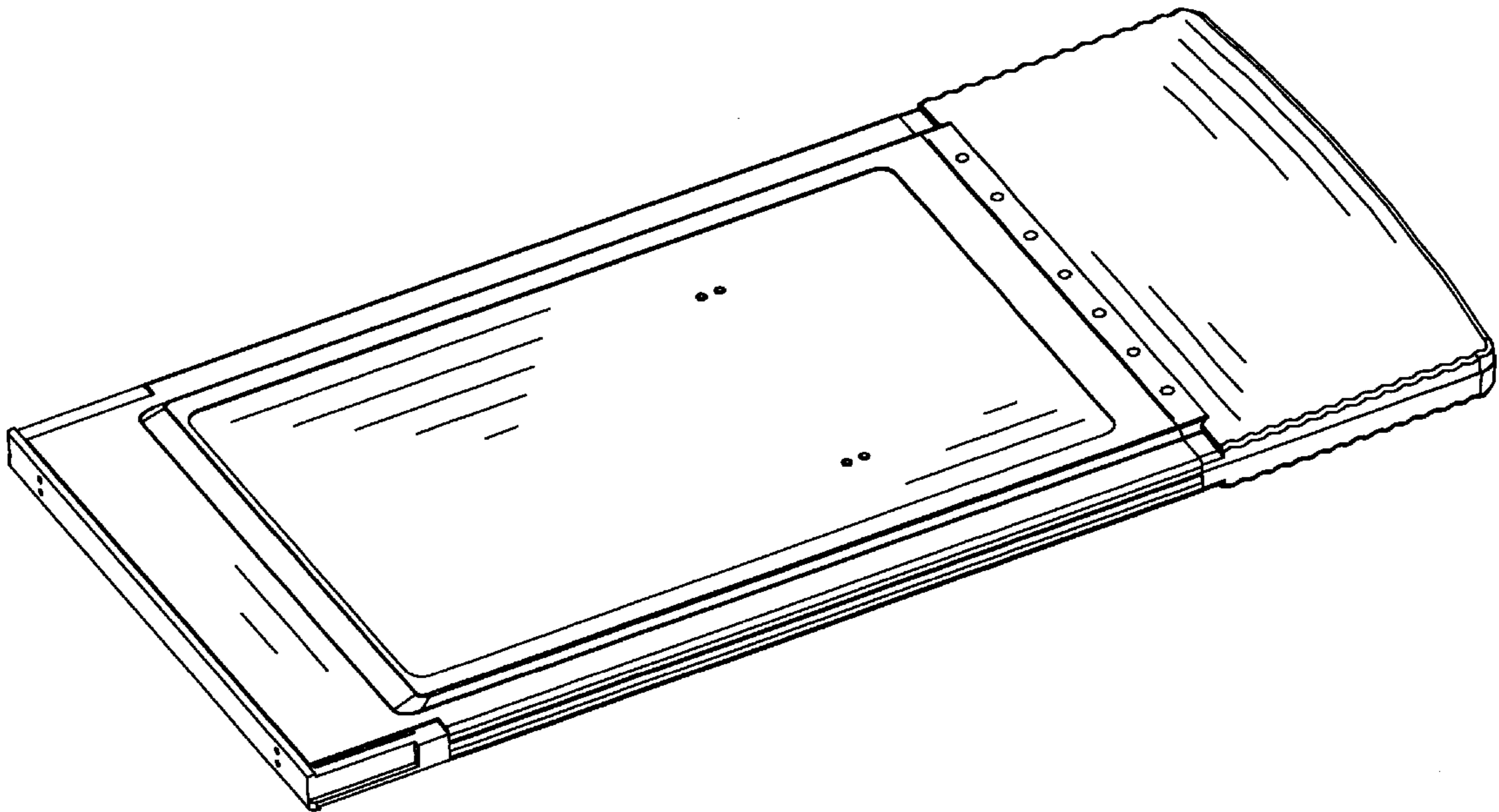
FIG. 4 is a right side elevational view thereof;

FIG. 5 is a top plain view thereof;

FIG. 6 is a bottom plain view thereof; and,

FIG. 7 is a rear elevational view thereof.

1 Claim, 7 Drawing Sheets



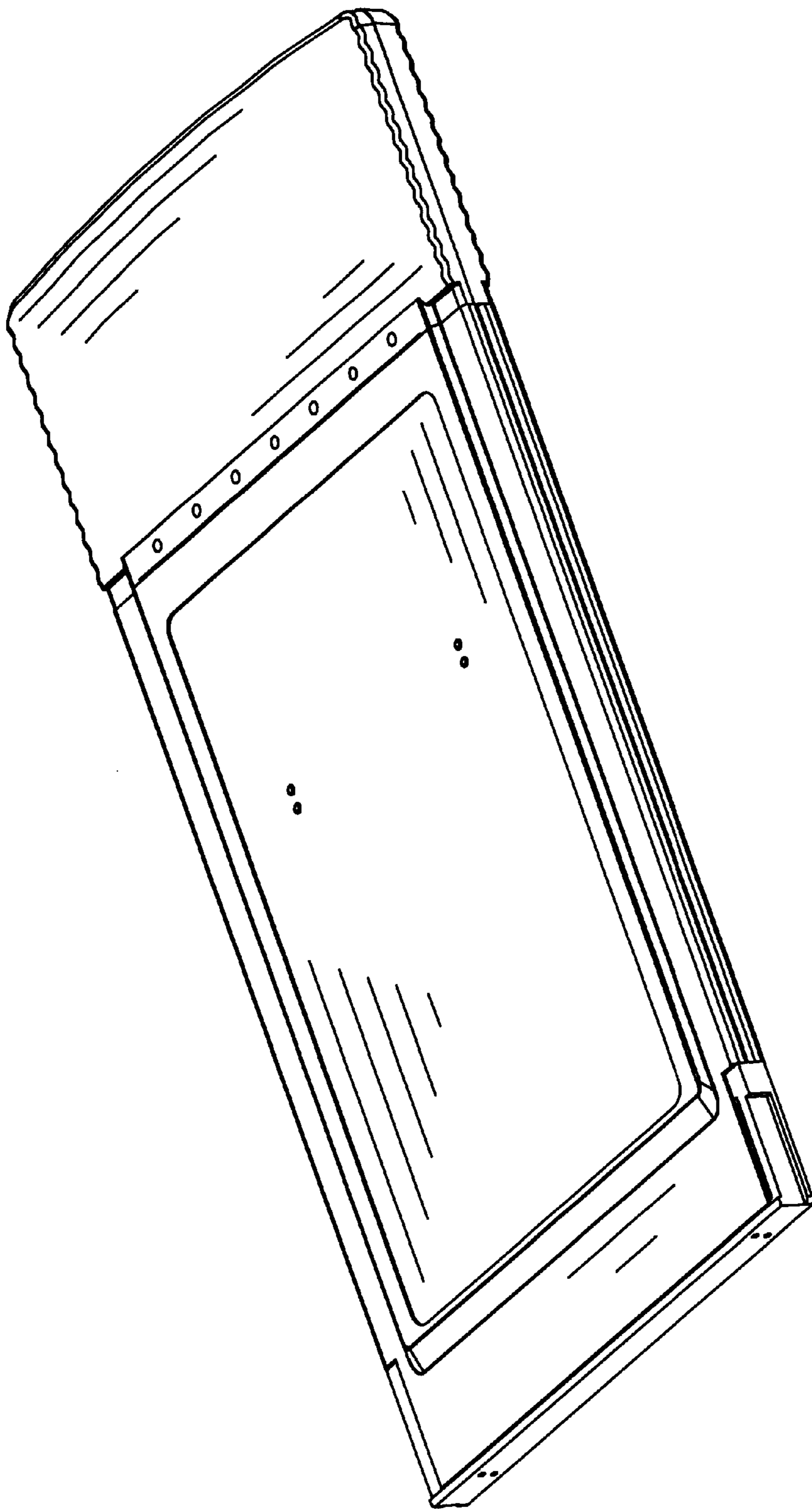


FIG. 1

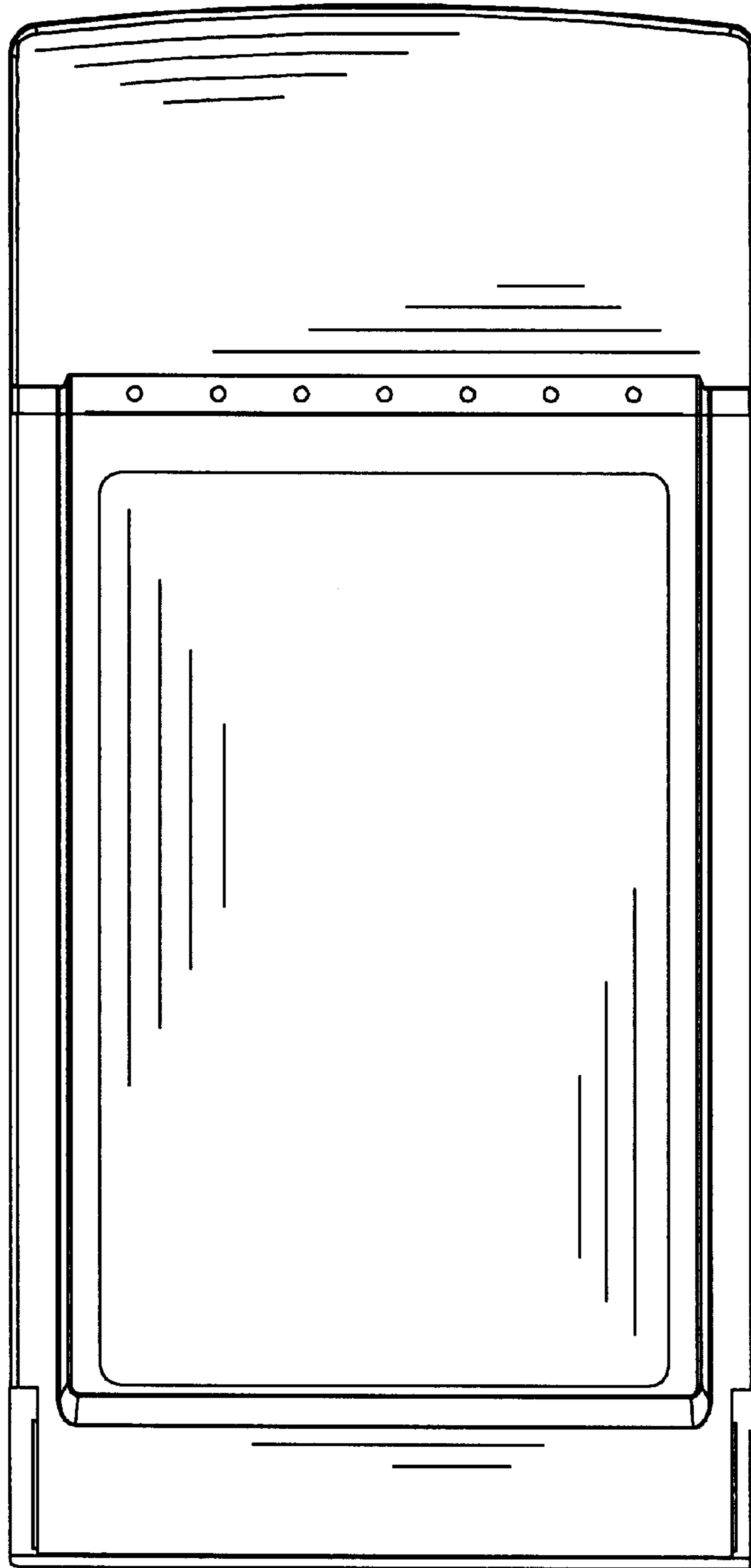


FIG. 2



FIG. 3



FIG. 4



FIG. 5



FIG. 6

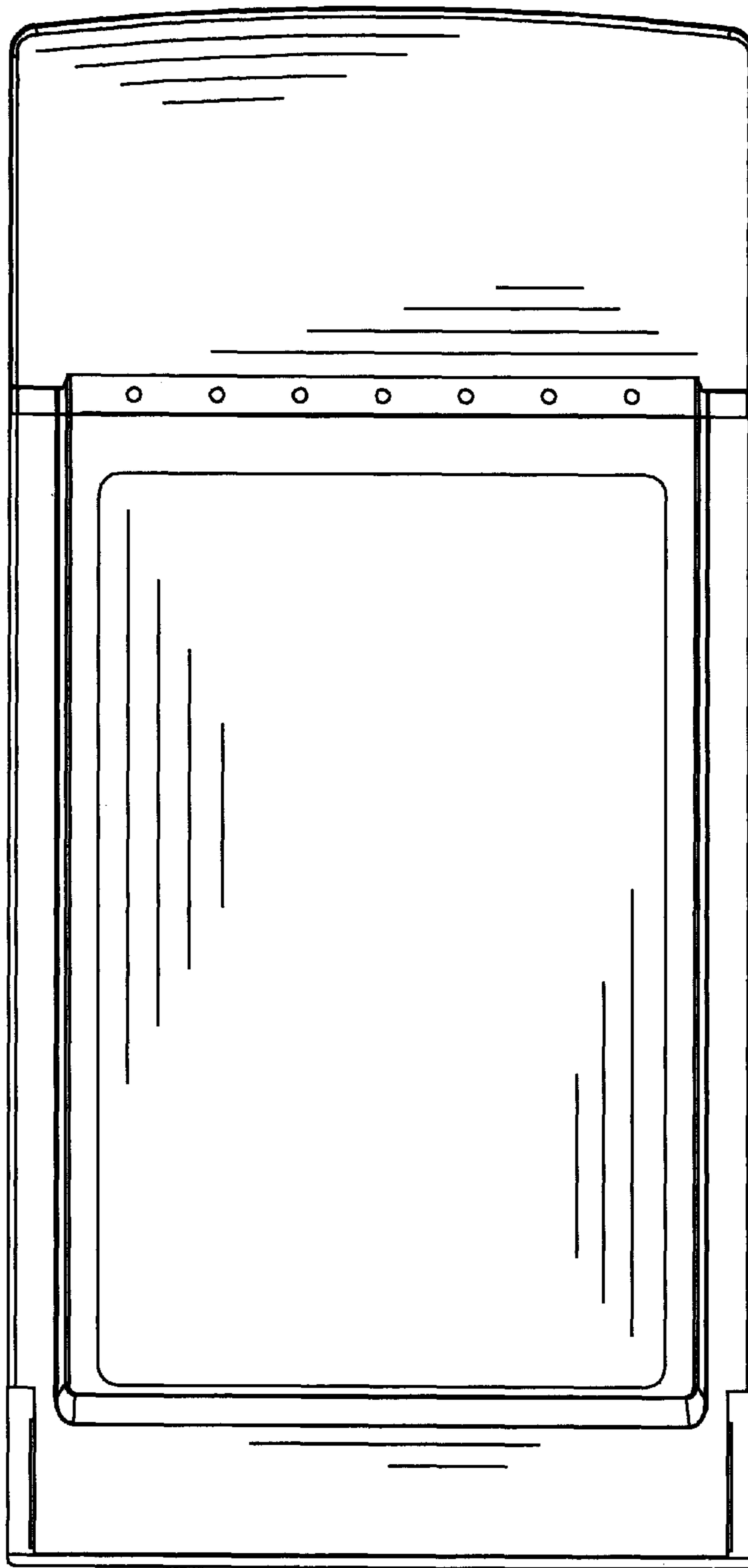


FIG. 7