



US00D489713S

(12) **United States Design Patent**
Yusa

(10) **Patent No.:** **US D489,713 S**

(45) **Date of Patent:** **** May 11, 2004**

(54) **ANTENNA CHASSIS**

(75) Inventor: **Yoshinori Yusa**, Kodaira (JP)

(73) Assignee: **Yokowo Co., Ltd.**, Tokyo (JP)

(**) Term: **14 Years**

(21) Appl. No.: **29/178,105**

(22) Filed: **Mar. 19, 2003**

(30) **Foreign Application Priority Data**

Oct. 17, 2002 (JP) 2002-028278

(51) **LOC (7) Cl.** **14-03**

(52) **U.S. Cl.** **D14/230**

(58) **Field of Search** D14/230, 232,
D14/299; 343/711, 872, 908; 455/90, 128,
347, 562; D10/106

(56) **References Cited**

U.S. PATENT DOCUMENTS

D346,805 S * 5/1994 Kim D14/240
D470,481 S * 2/2003 Ikeda D14/230
D470,482 S * 2/2003 Ikeda D14/230

* cited by examiner

Primary Examiner—Louis S. Zarfes

Assistant Examiner—Deanne Levy

(74) *Attorney, Agent, or Firm*—Morgan, Lewis & Bockius LLP

(57) **CLAIM**

The ornamental design for an antenna chassis, as shown and described.

DESCRIPTION

FIG. 1 is a perspective view of the top, front and right side of an antenna chassis showing my new design;

FIG. 2 is a front view thereof;

FIG. 3 is a rear view thereof;

FIG. 4 is a top plan view thereof;

FIG. 5 is a bottom view thereof;

FIG. 6 is a right side view thereof;

FIG. 7 is an enlarged cross sectional view at 7—7 showing in FIG. 4 thereof; and,

FIG. 8 is an enlarged cross sectional view at 8—8 showing in FIG. 4 thereof.

1 Claim, 3 Drawing Sheets

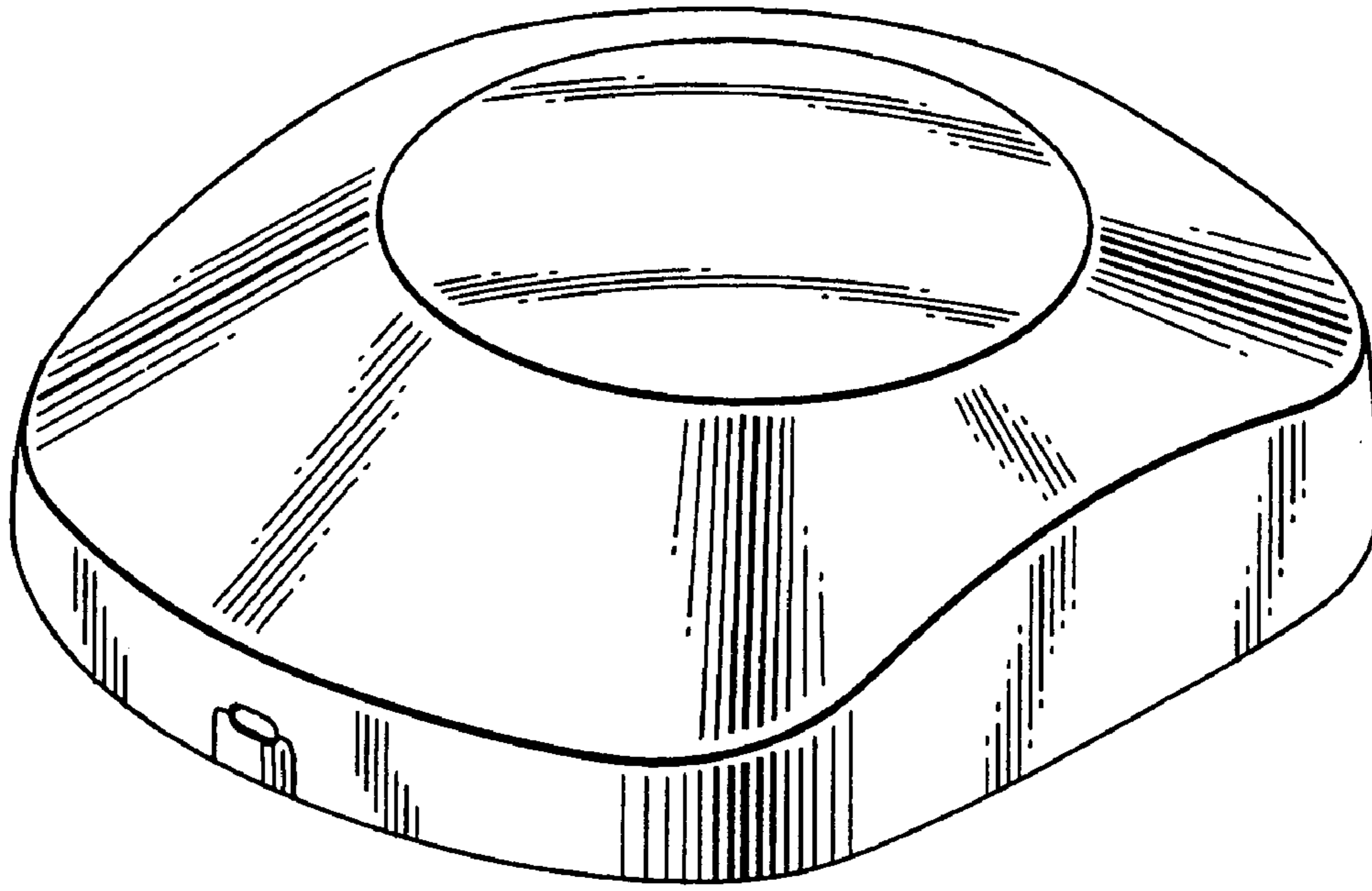


FIG. 1

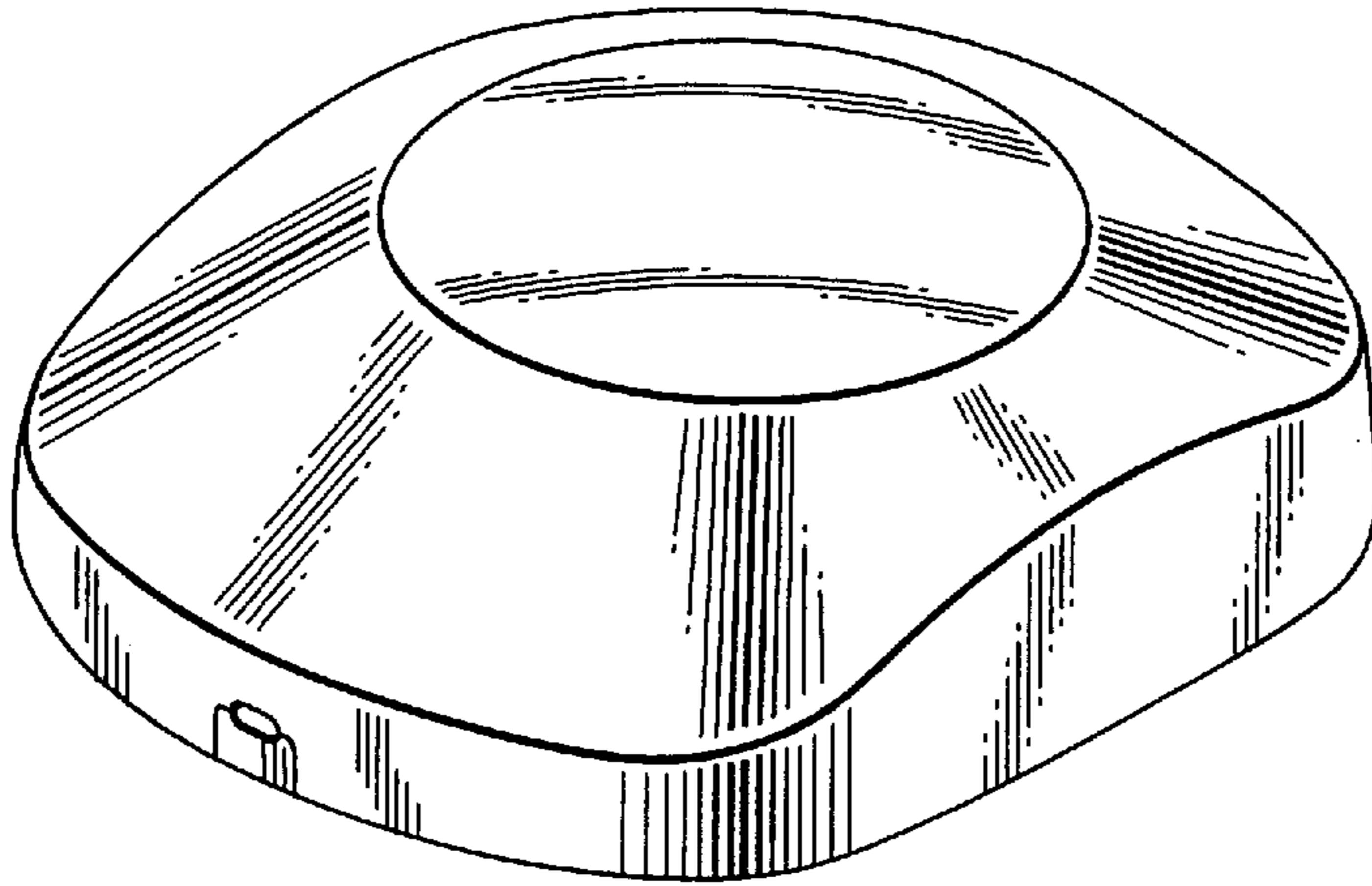


FIG. 2

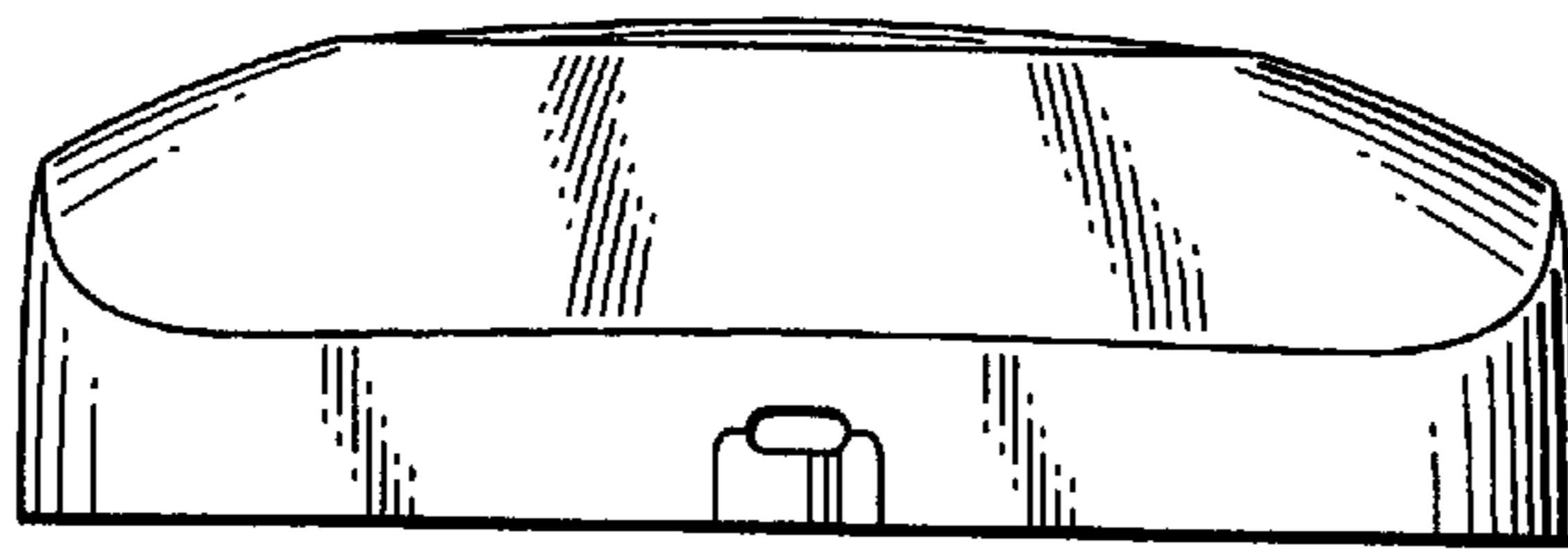


FIG. 3

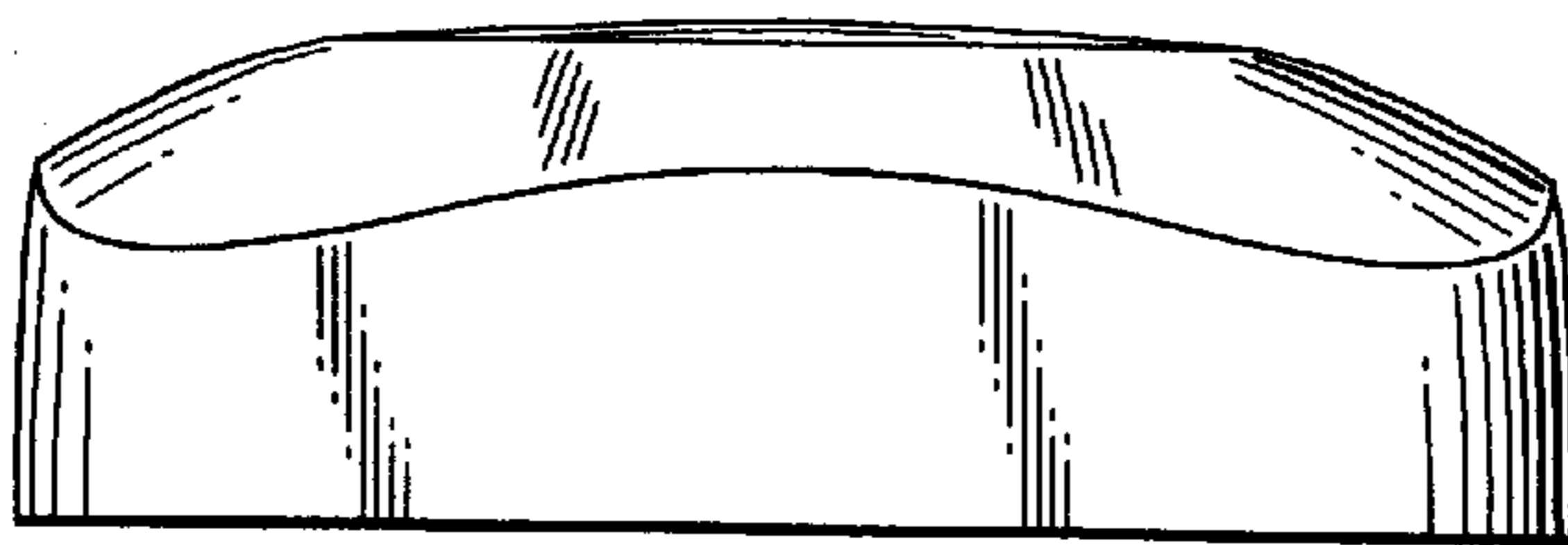


FIG. 4

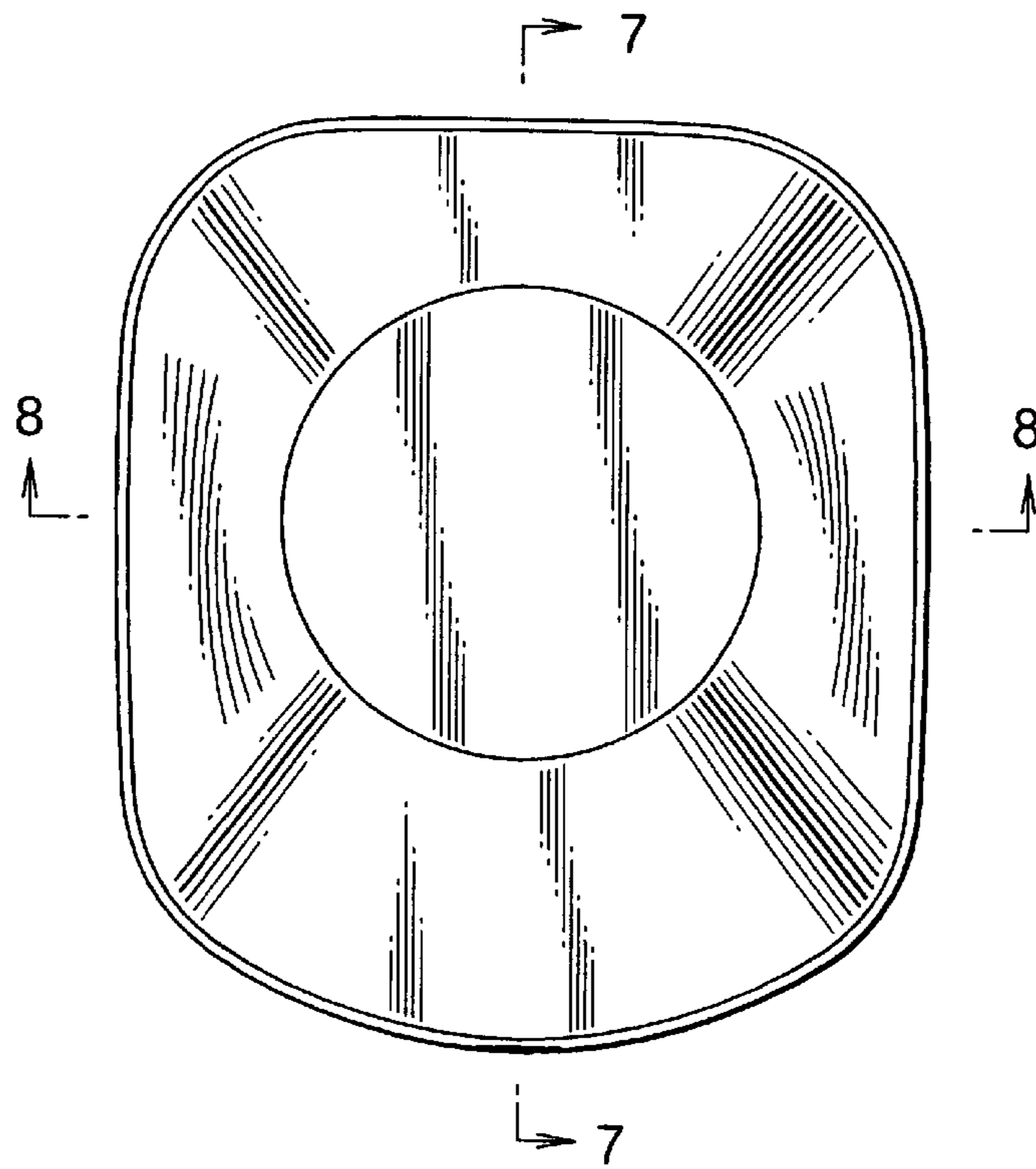


FIG. 5

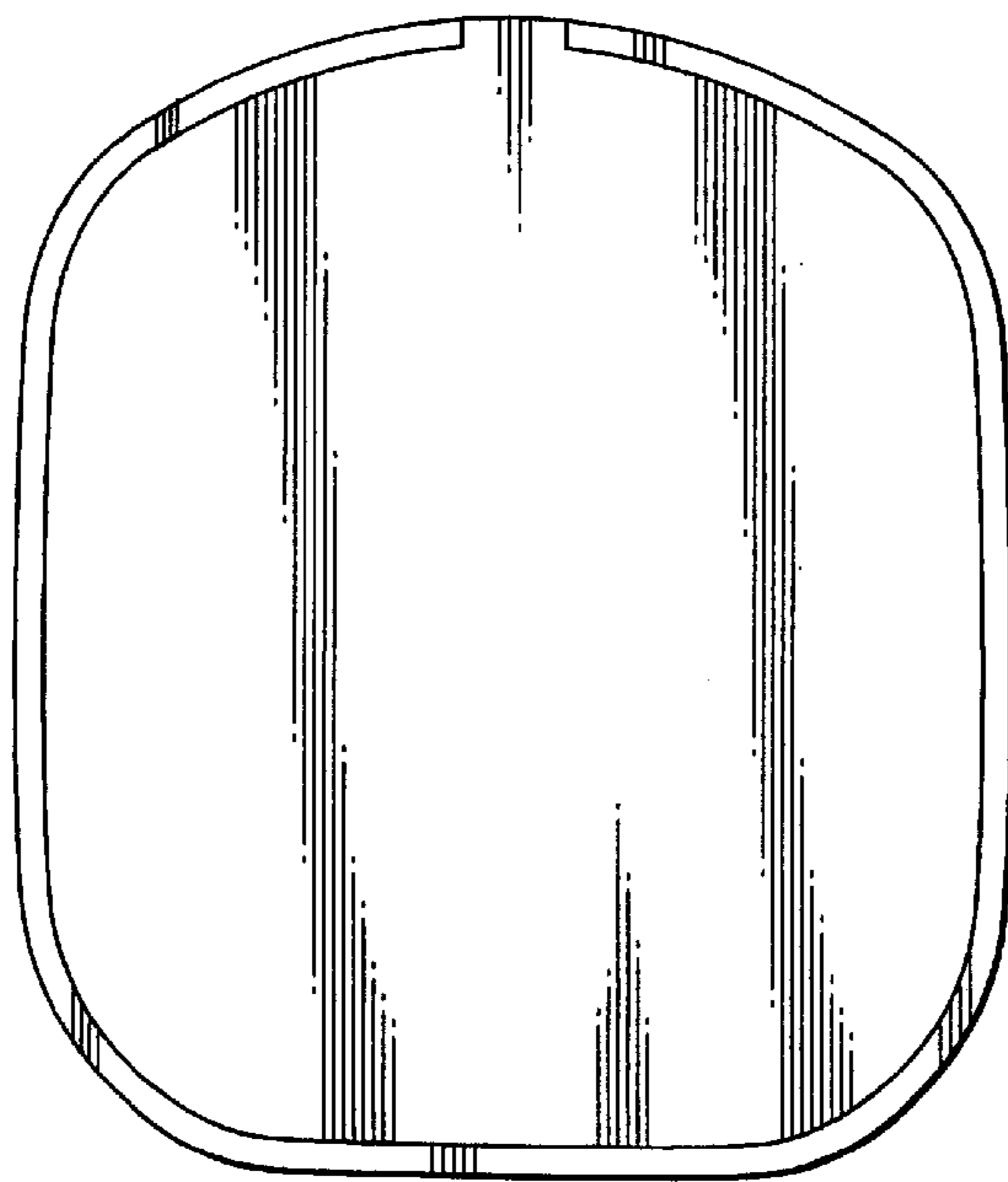


FIG.6

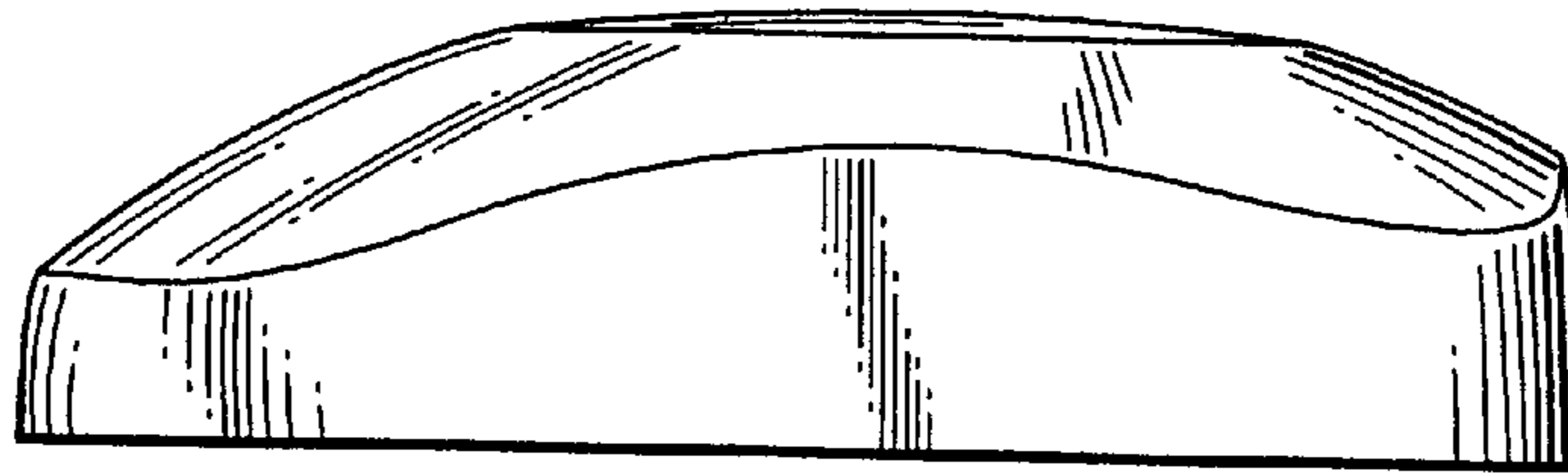


FIG.7

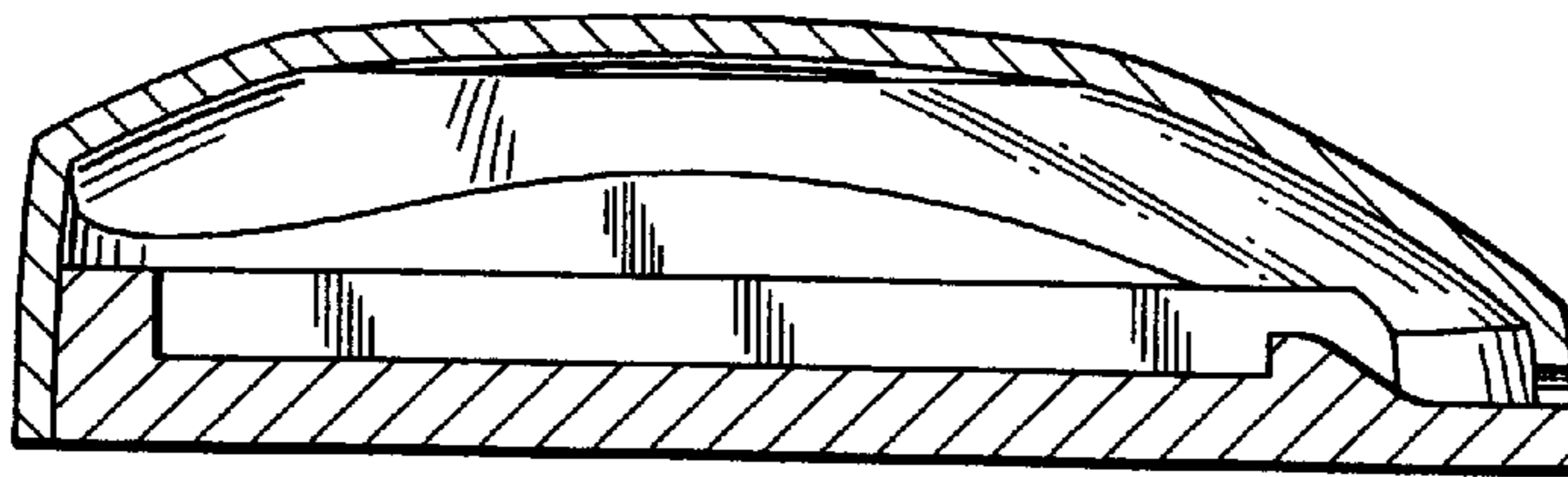


FIG.8

