



US00D489705S

(12) **United States Design Patent**
Sabnani

(10) **Patent No.:** **US D489,705 S**

(45) **Date of Patent:** **** May 11, 2004**

(54) **VACUUM TUBES OF A RADIO**
(75) Inventor: **Manoj G. Sabnani**, Chia Wan (HK)
(73) Assignee: **Electro Brand, Inc.**, Westchester, IL (US)
(**) Term: **14 Years**

D146,624 S * 4/1947 Swartzmiller 455/347 X
2,497,747 A * 2/1950 Valdetaro 455/347
D220,544 S * 4/1971 Unger D14/188
4,521,919 A * 6/1985 Molloy 455/347
D318,688 S * 7/1991 Hervatin D14/188
D339,347 S * 9/1993 Romero D14/189
5,465,422 A * 11/1995 Dean 455/347

* cited by examiner

(21) Appl. No.: **29/158,760**
(22) Filed: **Apr. 9, 2002**
(30) **Foreign Application Priority Data**
Dec. 15, 2001 (CN) 01359050
(51) **LOC (7) Cl.** **14-03**
(52) **U.S. Cl.** **D14/189; D14/217**
(58) **Field of Search** D14/188, 189,
D14/204, 207, 137, 155; 455/345, 347,
380, 351

Primary Examiner—Prabhakar Deshmukh
(74) *Attorney, Agent, or Firm*—Vedder Price Kaufman & Kammholz, P.C.; Rober S. Beiser, Esq.

(57) **CLAIM**

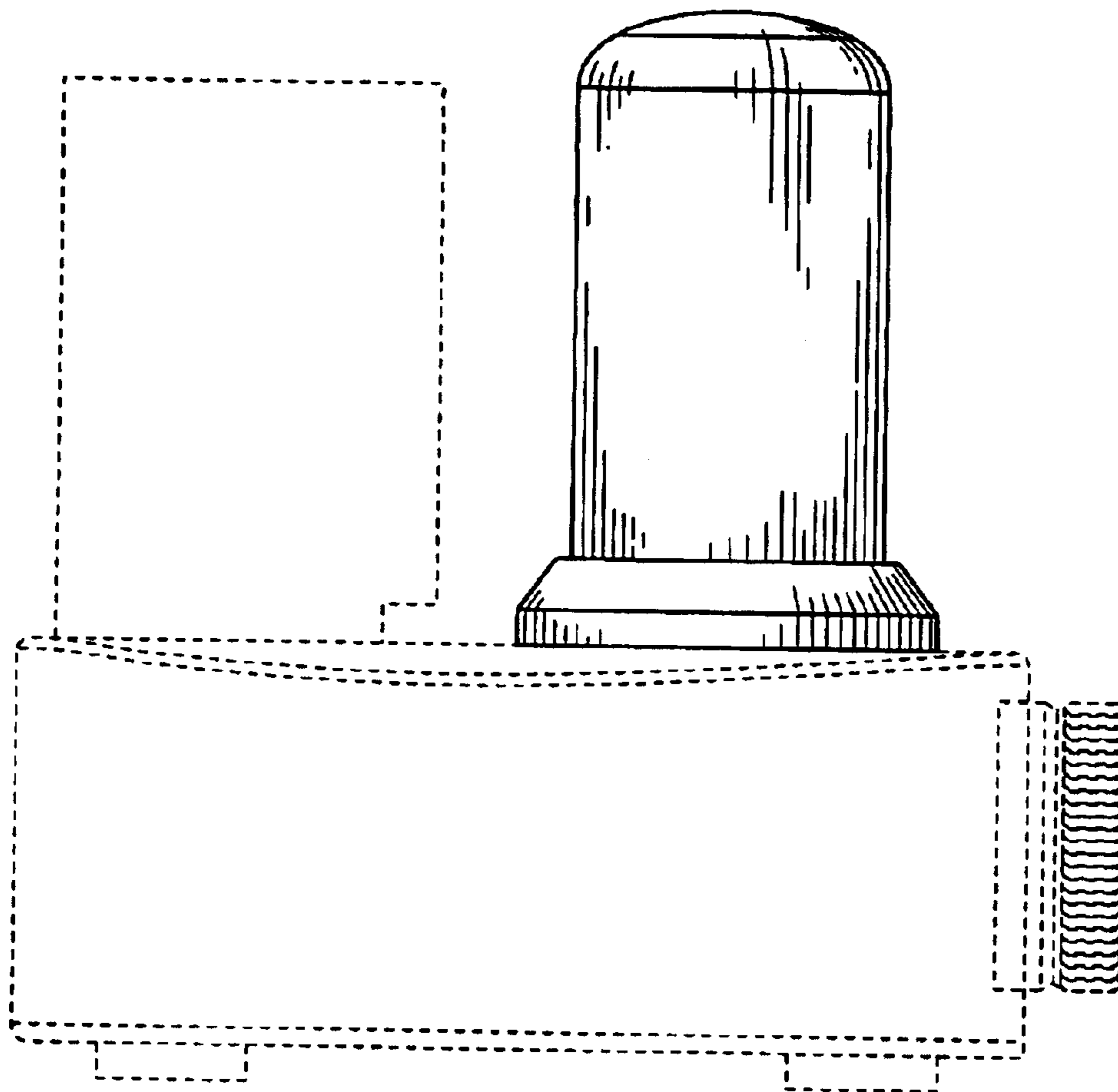
I claim the ornamental design for a vacuum tubes of a radio, as shown and described.

DESCRIPTION

FIG. 1 is a top plan of vacuum tubes of a radio showing my new design; FIG. 2 is a left side elevational view thereof; and, FIG. 3 is a right side elevational view thereof. The broken lines are for illustrative purpose and form no part of the claimed design.

(56) **References Cited**
U.S. PATENT DOCUMENTS
1,719,014 A * 7/1929 Kent 455/347
1,905,276 A * 4/1933 Erickson 455/347

1 Claim, 2 Drawing Sheets



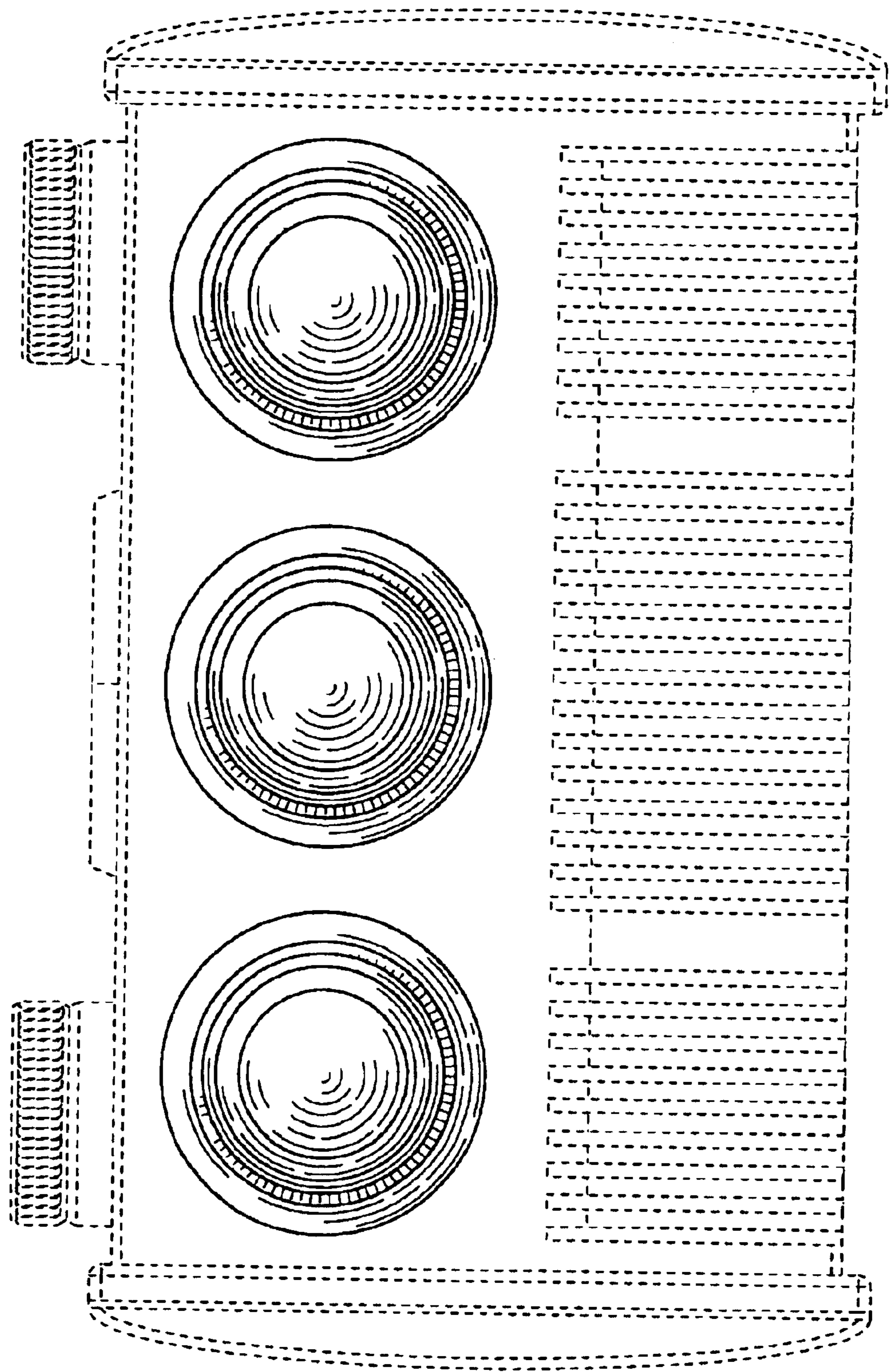


FIG. 1

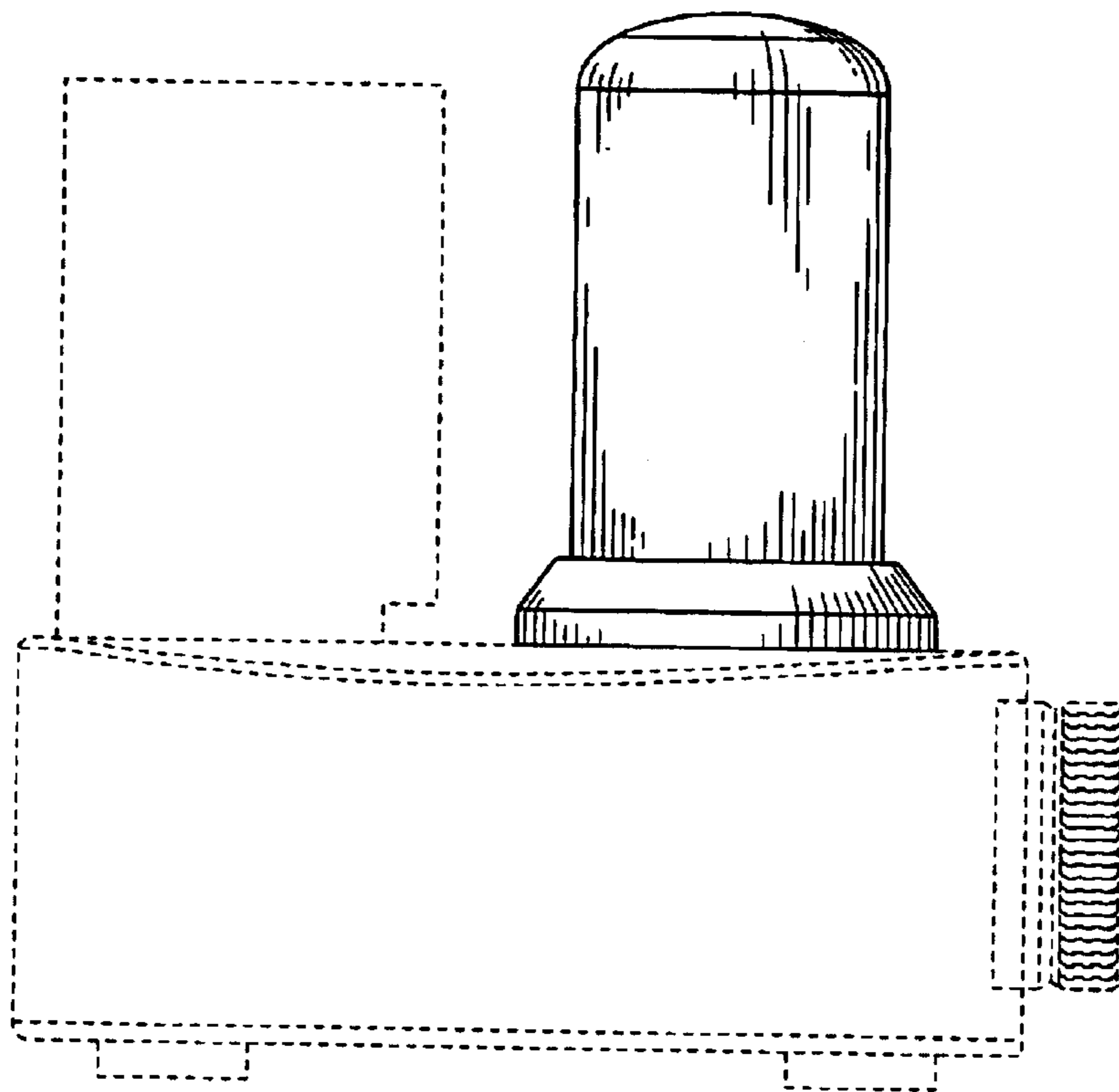


FIG. 2

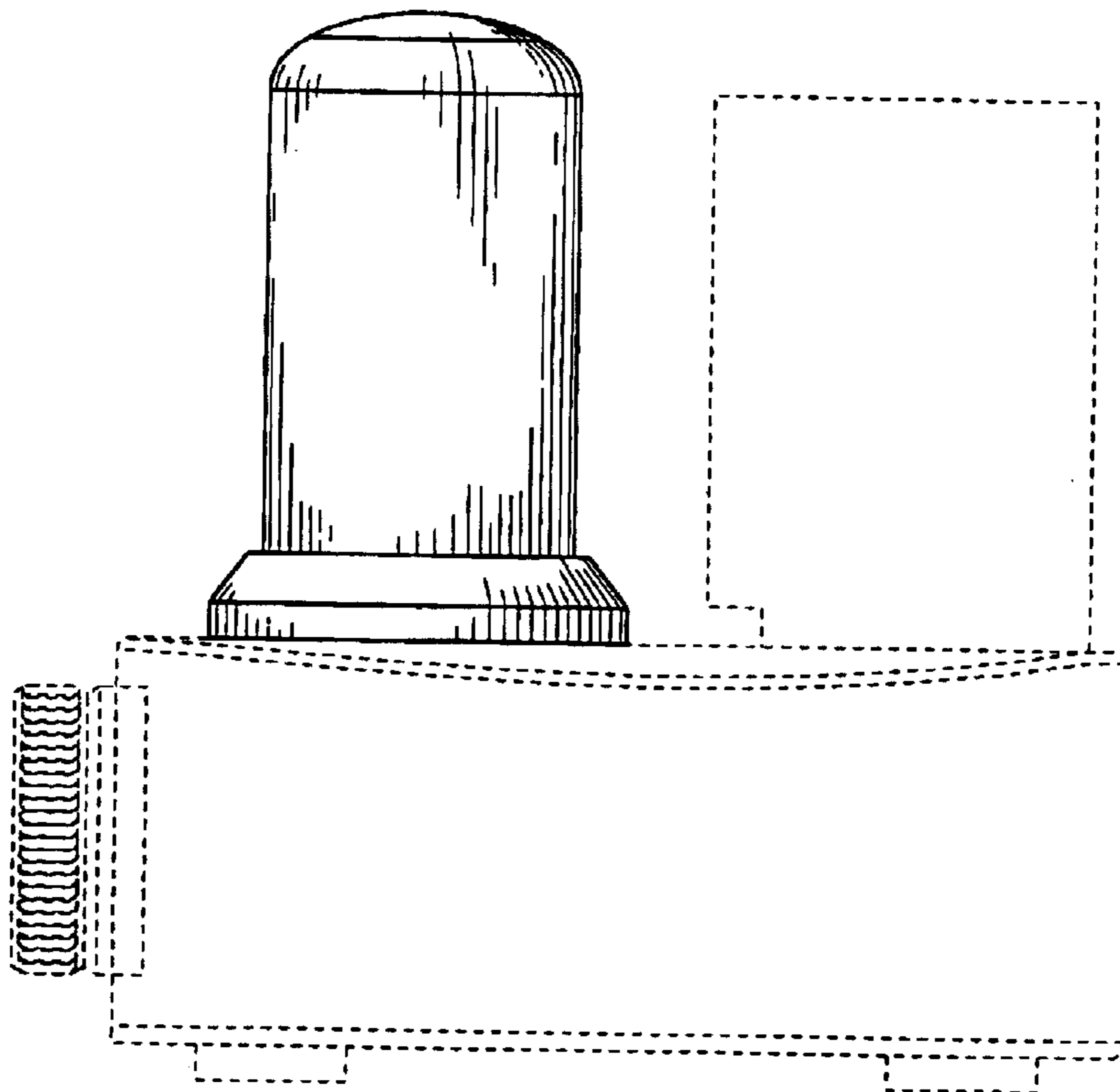


FIG. 3